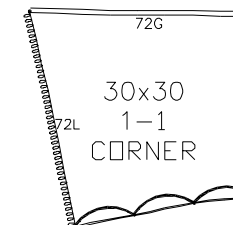
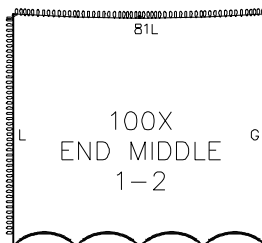
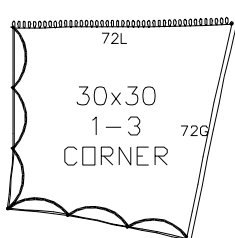
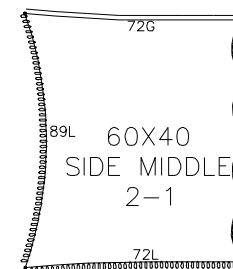
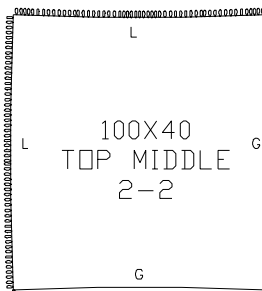
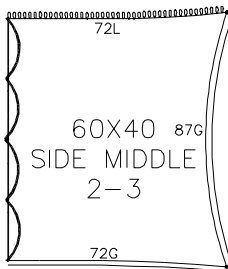
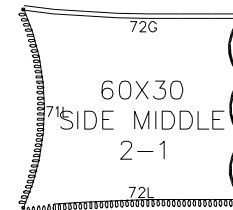
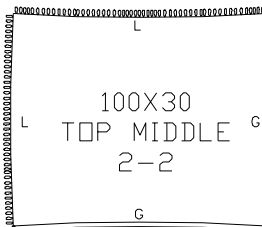
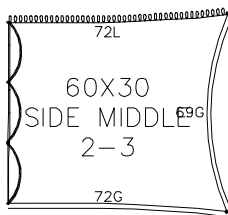
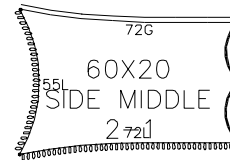
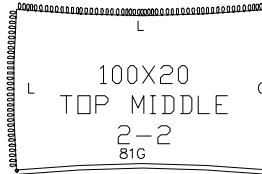
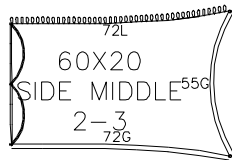
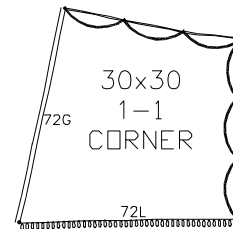
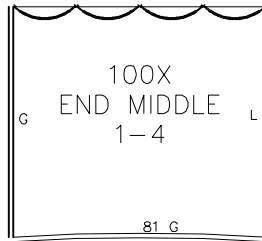
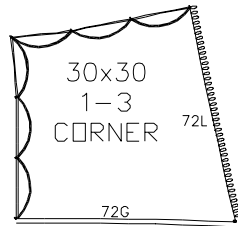


Legend Series 100x Layout

L = LACELINE
G = GROMMET



OUTSIDE

ALL DATA AND INFORMATION CONTAINED IN OR DISCLOSED BY THIS DOCUMENT IS CONFIDENTIAL AND PROPRIETARY INFORMATION OF AZTEC TENT AND EVENT INC. AND ALL RIGHTS THEREIN ARE EXPRESSLY RESERVED. BY ACCEPTING THIS MATERIAL THE RECIPIENT AGREES THAT THIS MATERIAL AND INFORMATION CONTAINED THEREIN IS HELD IN CONFIDENCE AND IN TRUST AND WILL NOT BE COPIED, REPRODUCED WHOLE OR IN PART, NOR ITS CONTENTS REVEALED IN ANY MANNER TO OTHERS, EXCEPT TO MEET THE SPECIFIC PURPOSE FOR WHICH IT WAS DELIVERED.

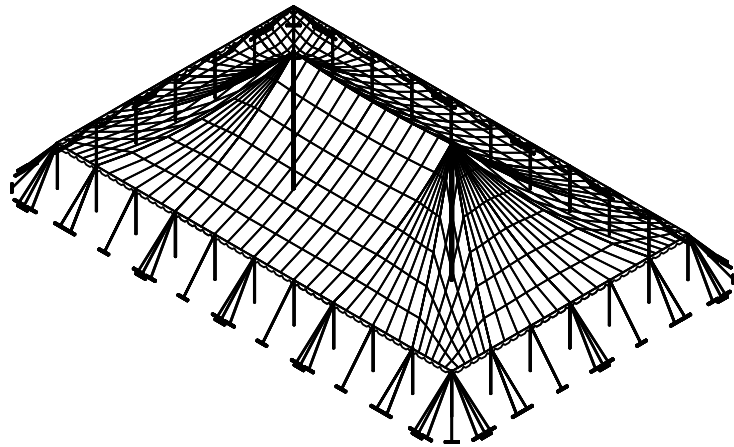


540 HAWAII AVE. TORRANCE, CA. 90503
(800) 258-7368 - (310) 328-5060 - FAX (310) 328-5356

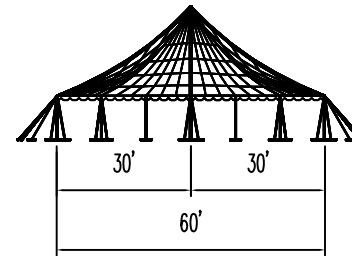
STANDARD
PATTERN LOCATIONS

60-80-100 LEGEND POLE / STANDARD

ENGINEER	CM	DRAWN	TTR	PART DESCRIPTION	CODE	SIZE	DRAWING NUMBER	REV
60-80-100\	PATTERNS	030306	1740	CHECKED	-	DATE	11-04-05	
						AZ-60-80-100-	PATTERNS	1



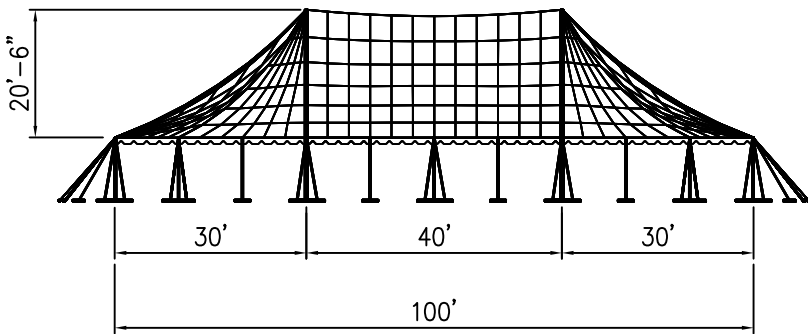
ISOMETRIC ELEVATION



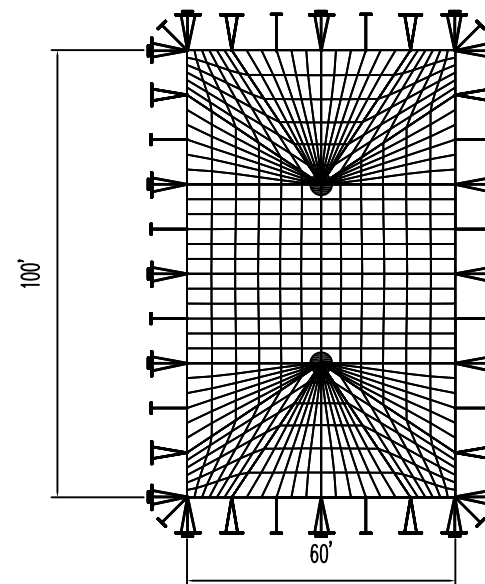
SIDE ELEVATION

LEGEND 60-80-100-120
100' x 60'

● = CENTER POLES NOT TO SCALE



FRONT ELEVATION



PLAN ELEVATION

ALL DATA AND INFORMATION CONTAINED IN OR DISCLOSED BY THIS DOCUMENT IS CONFIDENTIAL AND PROPRIETARY INFORMATION OF AZTEC TENTS AND ALL RIGHTS THEREIN ARE EXPRESSLY RESERVED. BY ACCEPTING THIS MATERIAL THE RECIPIENT AGREES THAT THIS MATERIAL AND INFORMATION CONTAINED THEREIN IS HELD IN CONFIDENCE AND IN TRUST AND WILL NOT BE COPIED, REPRODUCED WHOLE OR IN PART, NOR ITS CONTENTS REVEALED IN ANY MANNER TO OTHERS, EXCEPT TO MEET THE SPECIFIC PURPOSE FOR WHICH IT WAS

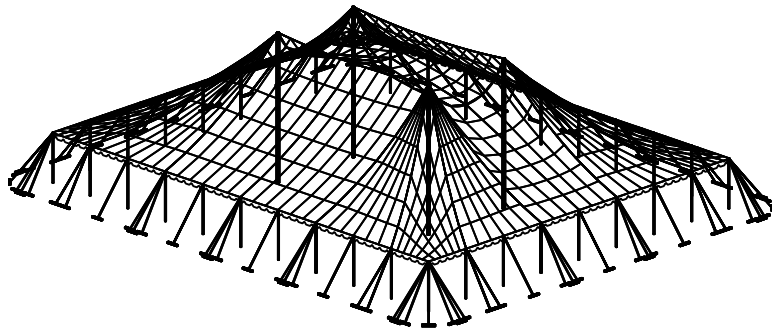
AZTEC TENTS
DESIGN & PRODUCTION
2665 COLUMBIA ST. TORRANCE, CA. 90503
(800) 228-3687 - FAX (310) 381-0722

LEGEND SERIES FRAME
LEGEND POLE TENT/STANDARD
100'W X 60'L LEGEND POLE
PART NUMBER: ZXXXXXXX

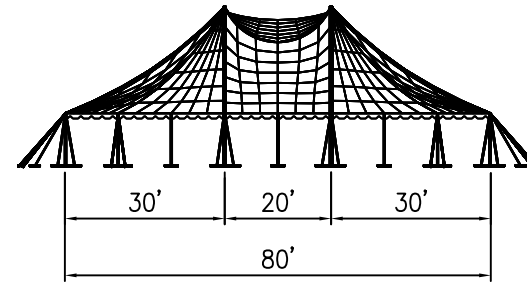
REVISION HISTORY			
REV.	DESCRIPTION	BY:	DATE:

CONFIDENTIAL

ENGINEER:	N/A	DATE:	5/27/2016
PAGE:	1 OF 1	DRAWN:	HUGO.R



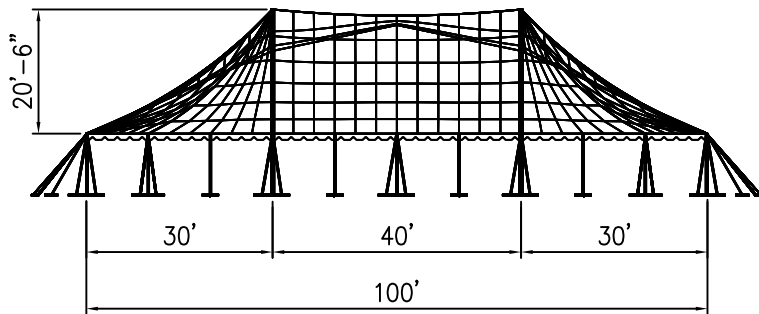
ISOMETRIC ELEVATION



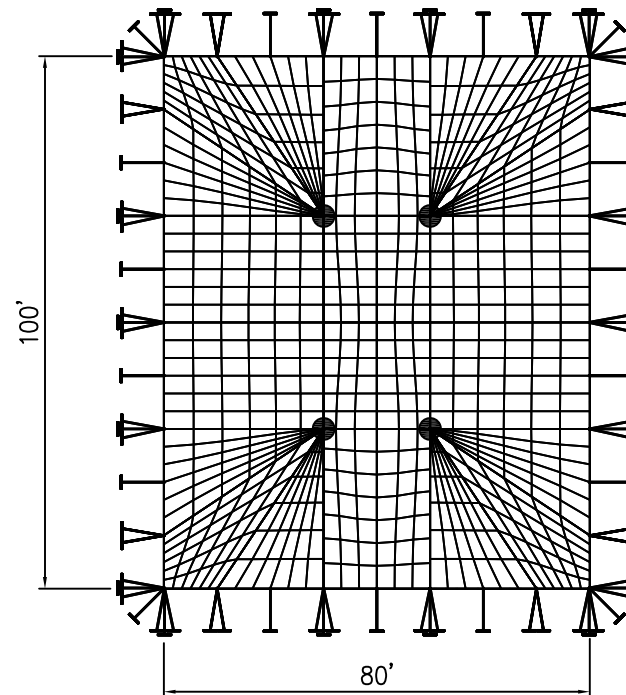
SIDE ELEVATION

LEGEND 60-80-100-120
100' x 80'

● = CENTER POLES NOT TO SCALE



FRONT ELEVATION



PLAN ELEVATION

ALL DATA AND INFORMATION CONTAINED IN OR DISCLOSED BY THIS DOCUMENT IS CONFIDENTIAL AND PROPRIETARY INFORMATION OF AZTEC TENTS AND ALL RIGHTS THEREIN ARE EXPRESSLY RESERVED. BY ACCEPTING THIS MATERIAL THE RECIPIENT AGREES THAT THIS MATERIAL AND INFORMATION CONTAINED THEREIN IS HELD IN CONFIDENCE AND IN TRUST AND WILL NOT BE COPIED, REPRODUCED WHOLE OR IN PART, NOR ITS CONTENTS REVEALED IN ANY MANNER TO OTHERS, EXCEPT TO MEET THE SPECIFIC PURPOSE FOR WHICH IT WAS

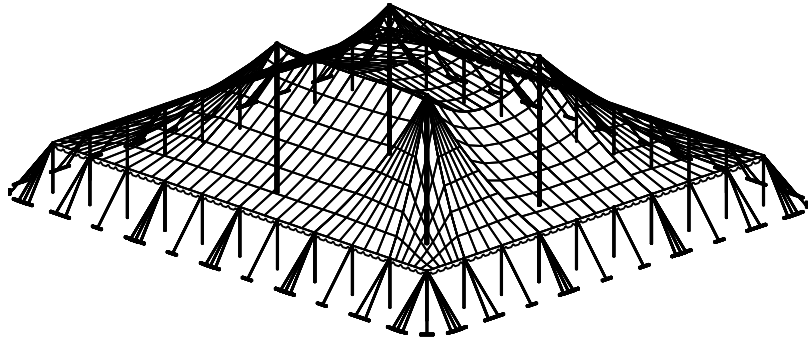
AZTEC TENTS
DESIGN & PRODUCTION
2665 COLUMBIA ST. TORRANCE, CA. 90503
(800) 228-3687 - FAX (310) 381-0722

LEGEND SERIES FRAME
LEGEND POLE TENT/STANDARD
100'W X 80'L LEGEND POLE
PART NUMBER: ZXXXXXXX

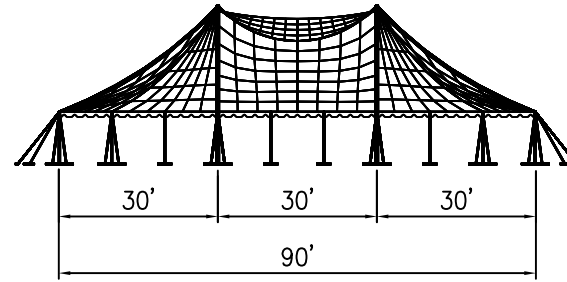
REVISION HISTORY			
REV.	DESCRIPTION	BY:	DATE:

CONFIDENTIAL

ENGINEER:	N/A	DATE:	5/27/2016
PAGE:	1 OF 1	DRAWN:	HUGO.R

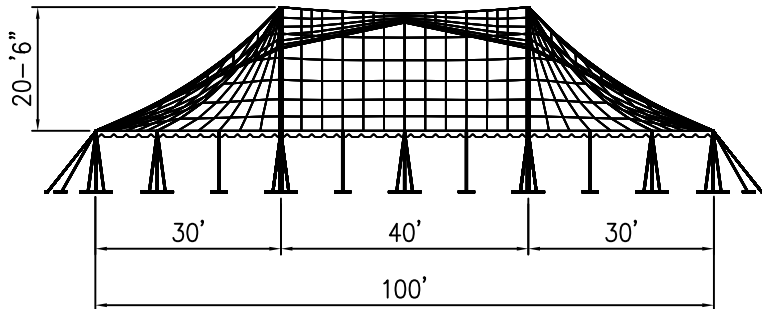


ISOMETRIC ELEVATION



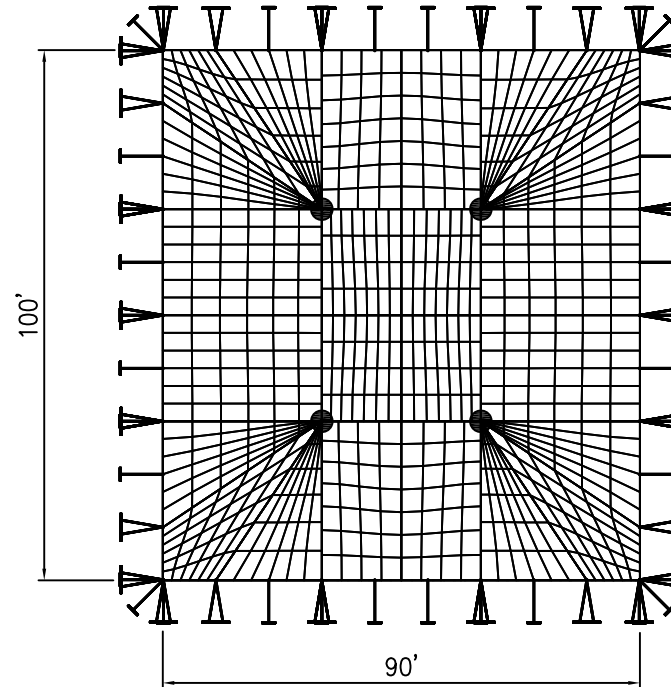
SIDE ELEVATION

LEGEND 60-80-100-120
100' x 90'



FRONT ELEVATION

● = CENTER POLES NOT TO SCALE



PLAN ELEVATION

ALL DATA AND INFORMATION CONTAINED IN OR DISCLOSED BY THIS DOCUMENT IS CONFIDENTIAL AND PROPRIETARY INFORMATION OF AZTEC TENTS AND ALL RIGHTS THEREIN ARE EXPRESSLY RESERVED. BY ACCEPTING THIS MATERIAL THE RECIPIENT AGREES THAT THIS MATERIAL AND INFORMATION CONTAINED THEREIN IS HELD IN CONFIDENCE AND IN TRUST AND WILL NOT BE COPIED, REPRODUCED WHOLE OR IN PART, NOR ITS CONTENTS REVEALED IN ANY MANNER TO OTHERS, EXCEPT TO MEET THE SPECIFIC PURPOSE FOR WHICH IT WAS

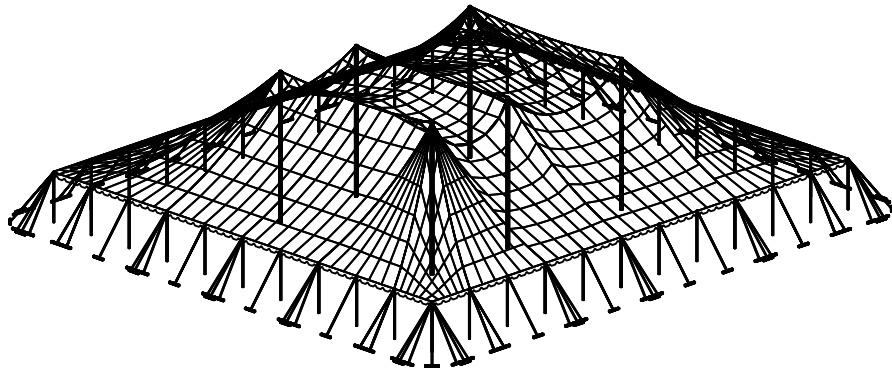
AZTEC TENTS
 DESIGN & PRODUCTION
 2665 COLUMBIA ST. TORRANCE, CA. 90503
 (800) 228-3687 - FAX (310) 381-0722

LEGEND SERIES FRAME
 LEGEND POLE TENT/STANDARD
 100'W X 90'L LEGEND POLE
 PART NUMBER: ZXXXXXXX

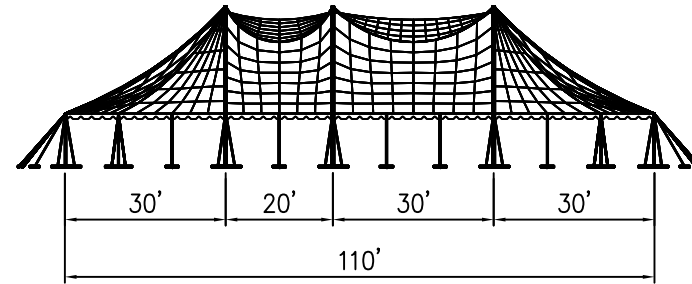
REVISION HISTORY			
REV.	DESCRIPTION	BY:	DATE:

CONFIDENTIAL

ENGINEER:	N/A	DATE:	5/27/2016
PAGE:	1 OF 1	DRAWN:	HUGO.R



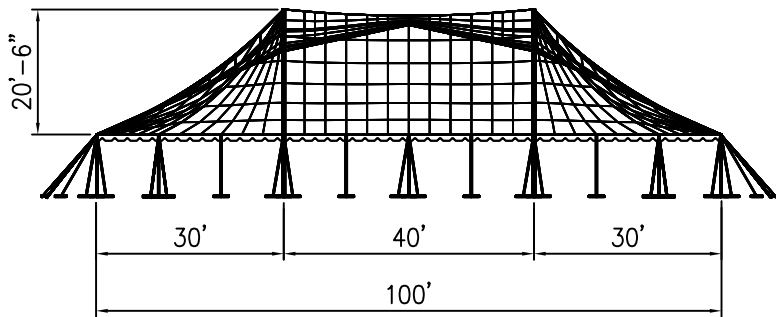
ISOMETRIC ELEVATION



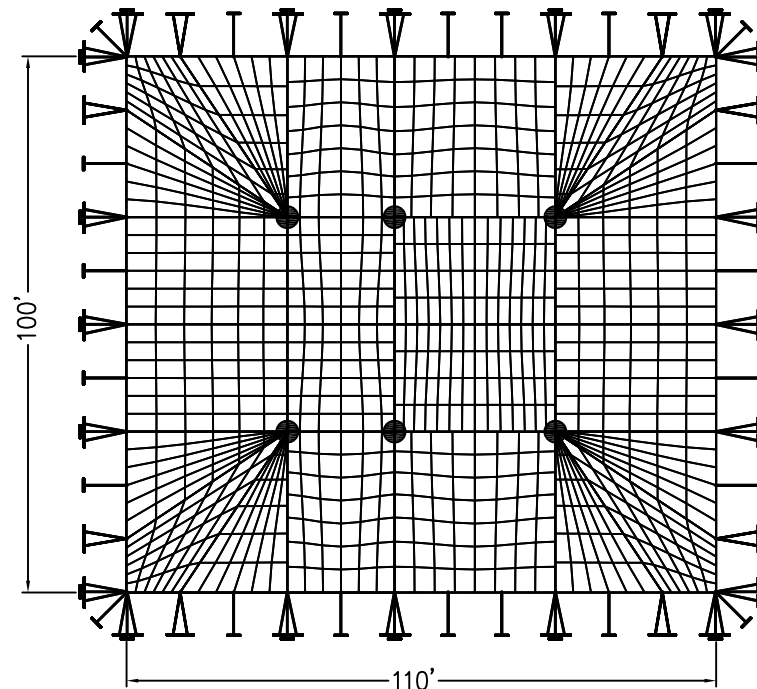
SIDE ELEVATION

● = CENTER POLES NOT TO SCALE

LEGEND 60-80-100-120
100' x 110'



FRONT ELEVATION



PLAN ELEVATION

ALL DATA AND INFORMATION CONTAINED IN OR DISCLOSED BY THIS DOCUMENT IS CONFIDENTIAL AND PROPRIETARY INFORMATION OF AZTEC TENTS AND ALL RIGHTS THEREIN ARE EXPRESSLY RESERVED. BY ACCEPTING THIS MATERIAL THE RECIPIENT AGREES THAT THIS MATERIAL AND INFORMATION CONTAINED THEREIN IS HELD IN CONFIDENCE AND IN TRUST AND WILL NOT BE COPIED, REPRODUCED WHOLE OR IN PART, NOR ITS CONTENTS REVEALED IN ANY MANNER TO OTHERS, EXCEPT TO MEET THE SPECIFIC PURPOSE FOR WHICH IT WAS

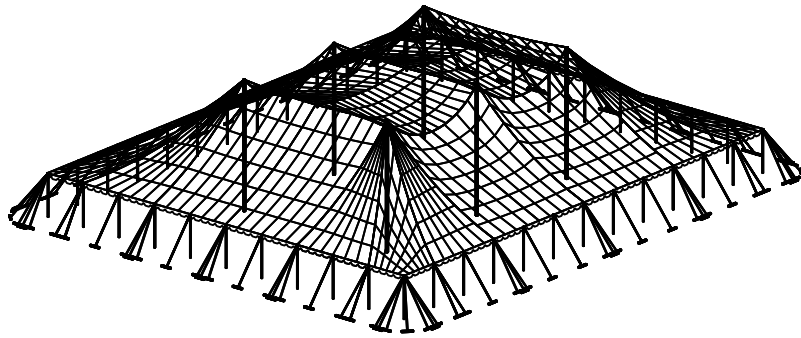
AZTEC TENTS
DESIGN & PRODUCTION
2665 COLUMBIA ST., TORRANCE, CA. 90503
(800) 228-3687 - FAX (310) 381-0722

LEGEND SERIES FRAME
LEGEND POLE TENT/STANDARD
100'W X 110'L LEGEND POLE
PART NUMBER: ZXXXXXXX

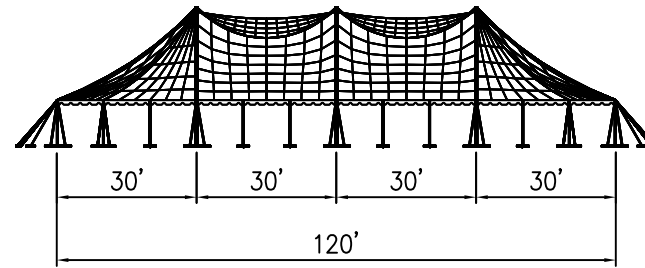
REVISION HISTORY			
REV.	DESCRIPTION	BY	DATE

CONFIDENTIAL

ENGINEER: N/A DATE: 5/27/2016
PAGE: 1 OF 1 DRAWN: HUGO.R



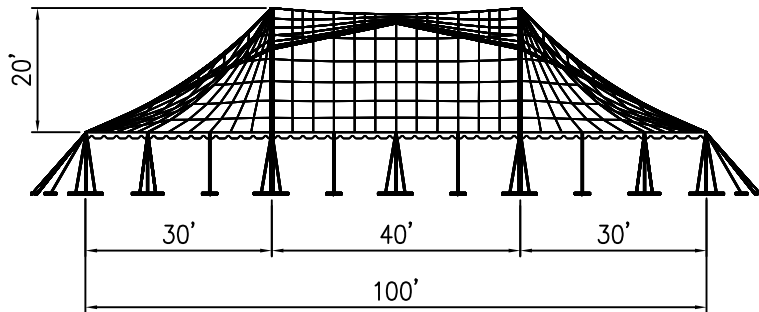
ISOMETRIC VIEW



SIDE VIEW

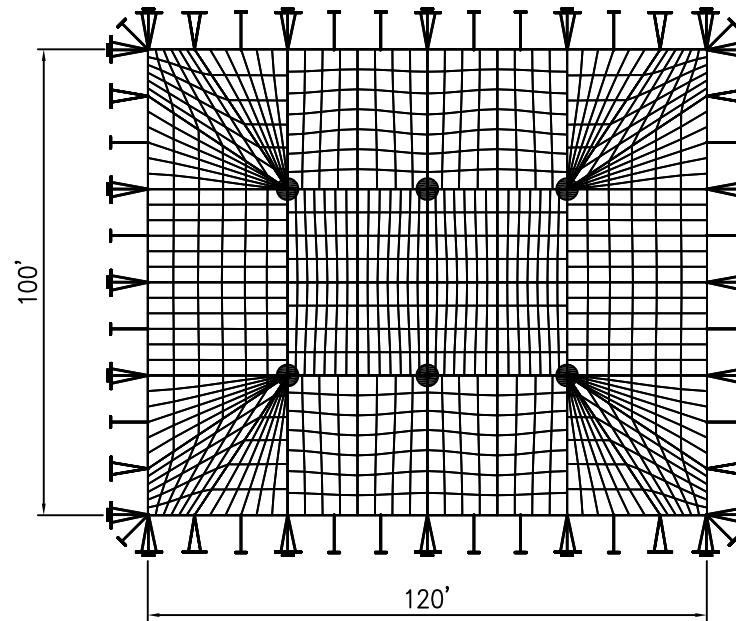
LEGEND 60-80-100-120
100' x 120'

- (1) 100' x 60' 6PC. ENDS
- (2) 100' x 30' MIDDLE COMPLETE 3PC.
- (6) 6" ALUM. 2PC. CENTER POLE (8'L 28'-6" / 10'L 30'-6")
- (44) 2-1/2" ALUM. SIDE POLE (8'L / 10'L)
- (100) STAKE BAR w/ WEB RATCHET ASSEMBLY
- (300) DBL. HEADED STAKES



FRONT VIEW

● = CENTER POLES NOT TO SCALE



PLAN VIEW

ALL DATA AND INFORMATION CONTAINED IN OR DISCLOSED BY THIS DOCUMENT IS CONFIDENTIAL AND PROPRIETARY INFORMATION OF AZTEC TENTS AND ALL RIGHTS THEREIN ARE EXPRESSLY RESERVED. BY ACCEPTING THIS MATERIAL THE RECIPIENT AGREES THAT THIS MATERIAL AND INFORMATION CONTAINED THEREIN IS HELD IN CONFIDENCE AND IN TRUST AND WILL NOT BE COPIED, REPRODUCED WHOLE OR IN PART, NOR ITS CONTENTS REVEALED IN ANY MANNER TO OTHERS, EXCEPT TO MEET THE SPECIFIC PURPOSE FOR WHICH IT WAS DELIVERED.

AZTEC TENTS
DESIGN & PRODUCTION
2665 COLUMBIA ST. TORRANCE, CA. 90503
(800) 228-3687 - FAX (310) 381-0722

LEGEND POLE TENT
100'W x 120'L x 30'MIDS
PART NUMBER:

REVISION HISTORY			
REV.	DESCRIPTION	BY	DATE

SALES

ENGINEER:	N/A	DATE:	11/29/2016
PAGE:	1 OF 1	DRAWN:	ELVIS

ALL DATA AND INFORMATION CONTAINED IN OR DISCLOSED BY THIS DOCUMENT IS CONFIDENTIAL AND PROPRIETARY INFORMATION OF AZTEC TENTS AND ALL RIGHTS THEREIN ARE EXPRESSLY RESERVED. BY ACCEPTING THIS MATERIAL THE RECIPIENT AGREES THAT THIS MATERIAL AND INFORMATION CONTAINED THEREIN IS HELD IN CONFIDENCE AND IN TRUST AND WILL NOT BE COPIED, REPRODUCED WHOLE OR IN PART, NOR ITS CONTENTS REVEALED IN ANY MANNER TO OTHERS, EXCEPT TO MEET THE SPECIFIC PURPOSE FOR WHICH IT WAS

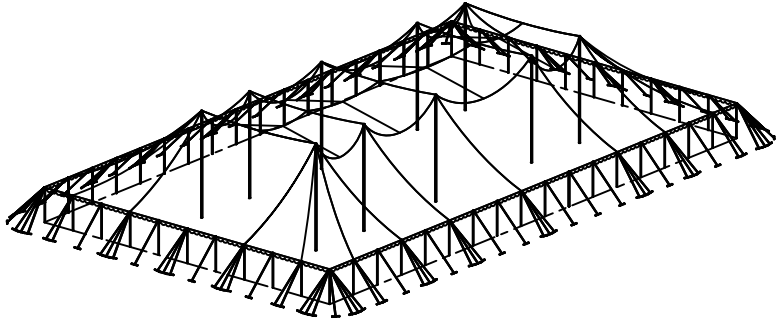
AZTEC TENTS
 DESIGN & PRODUCTION
 2665 COLUMBIA ST. TORRANCE, CA. 90503
 (800) 228-3687 - FAX (310) 381-0722

LEGEND SERIES FRAME
LEGEND POLE TENT/STANDARD
100'W X 170'L LEGEND POLE
 PART NUMBER: ZXXXXXXX

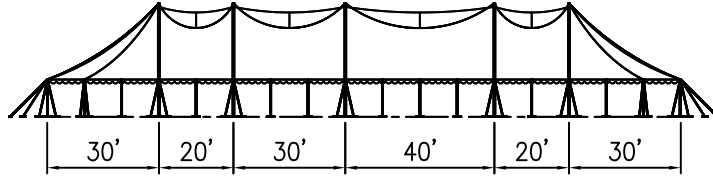
REVISION HISTORY			
REV.	DESCRIPTION	BY:	DATE:

CONFIDENTIAL

ENGINEER: N/A DATE: 5/27/2016
 PAGE: 1 OF 1 DRAWN: HUGO.R



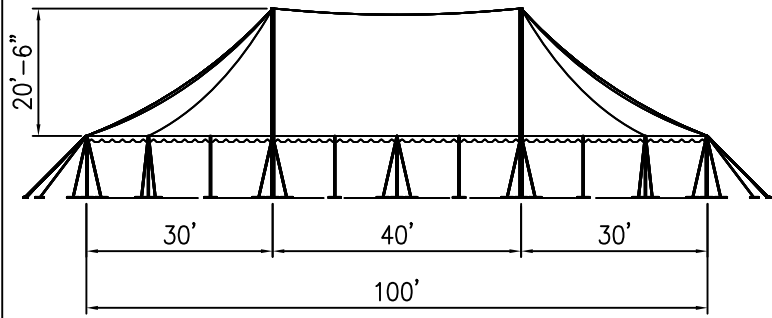
ISOMETRIC VIEW



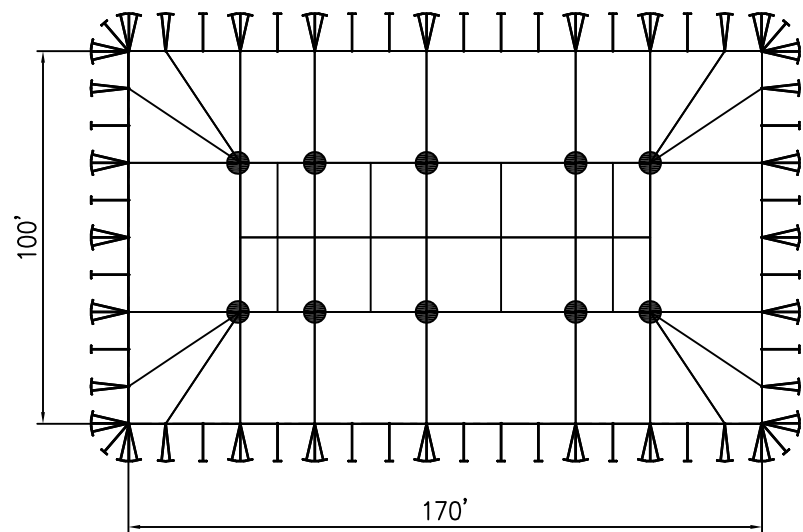
SIDE VIEW

LEGEND 60-80-100-120
 100' x 170'

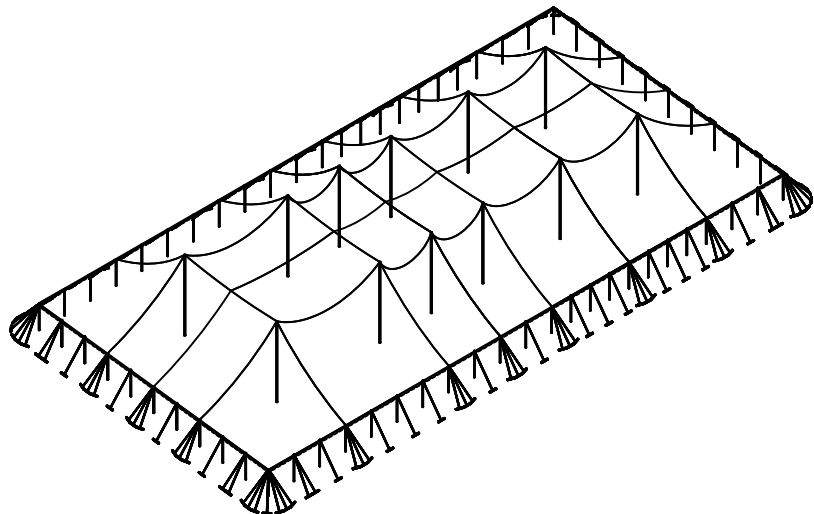
● = CENTER POLES NOT TO SCALE



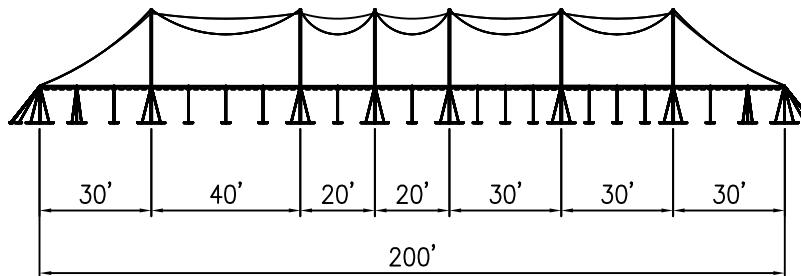
FRONT VIEW



PLAN VIEW



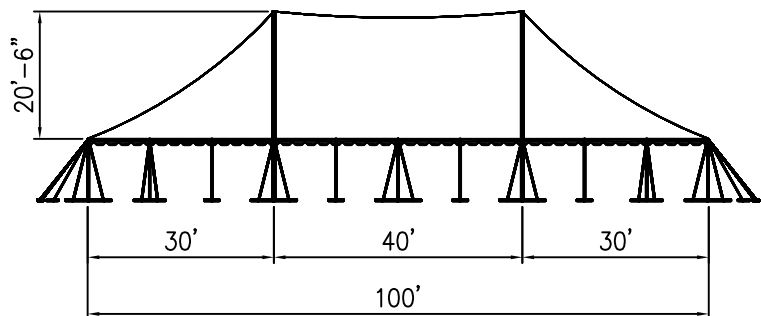
ISOMETRIC VIEW



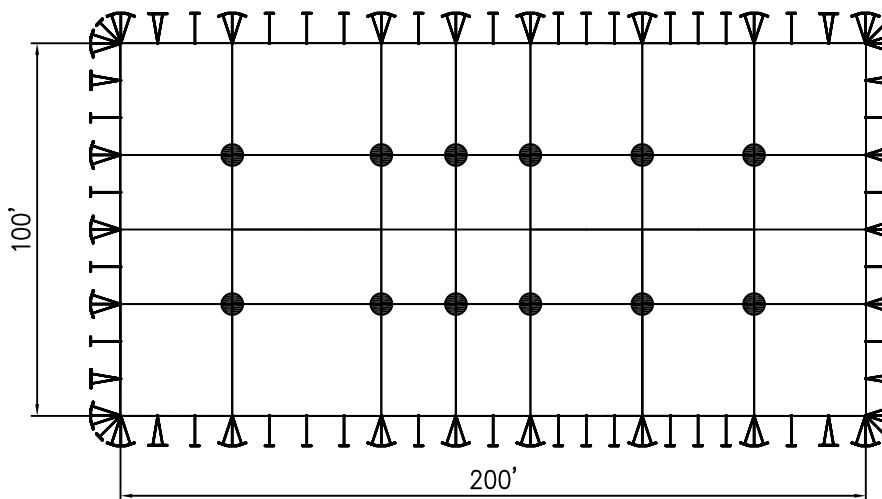
SIDE VIEW

LEGEND 60-80-100-120
100' x 200'

● = CENTER POLES NOT TO SCALE



FRONT VIEW



PLAN VIEW

ALL DATA AND INFORMATION CONTAINED IN OR DISCLOSED BY THIS DOCUMENT IS CONFIDENTIAL AND PROPRIETARY INFORMATION OF AZTEC TENTS AND ALL RIGHTS THEREIN ARE EXPRESSLY RESERVED. BY ACCEPTING THIS MATERIAL THE RECIPIENT AGREES THAT THIS MATERIAL AND INFORMATION CONTAINED THEREIN IS HELD IN CONFIDENCE AND IN TRUST AND WILL NOT BE COPIED, REPRODUCED WHOLE OR IN PART, NOR ITS CONTENTS REVEALED IN ANY MANNER TO OTHERS, EXCEPT TO MEET THE SPECIFIC PURPOSE FOR WHICH IT WAS

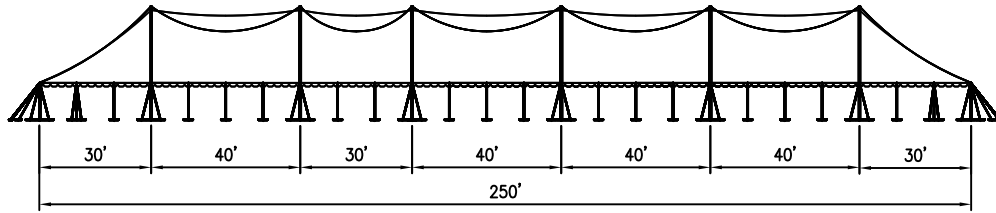
AZTEC TENTS
 DESIGN & PRODUCTION
 2665 COLUMBIA ST. TORRANCE, CA. 90503
 (800) 228-3687 - FAX (310) 381-0722

LEGEND POLE TENT
 100'W x 200'L LEGEND
 w/ 20'/30'/40' MIDDLES
 PART NUMBER: ZXXXXXXX

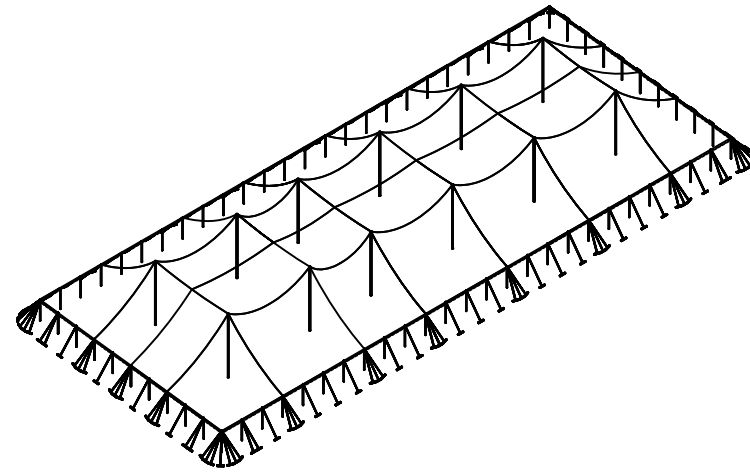
REVISION HISTORY			
REV.	DESCRIPTION	BY:	DATE:

SALES

ENGINEER:	N/A	DATE:	3/15/2017
PAGE:	1 OF 1	DRAWN:	ELVIS



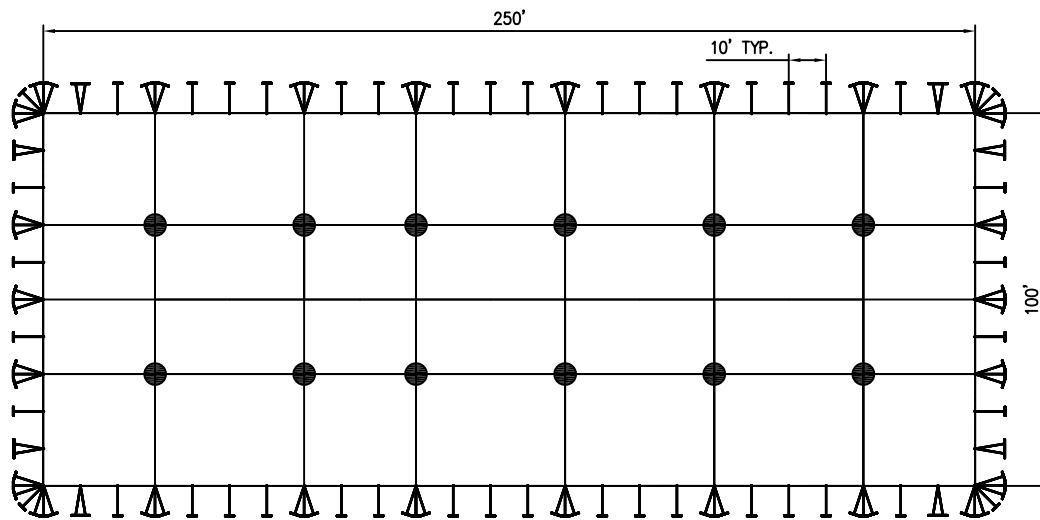
SIDE VIEW



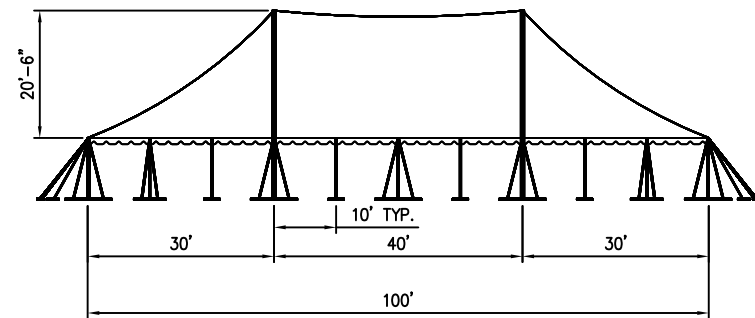
ISOMETRIC VIEW

LEGEND 60-80-100-120
100'W x 250'L x 30'/40' MIDS

● = CENTER POLES NOT TO SCALE



PLAN VIEW



FRONT VIEW

ALL DATA AND INFORMATION CONTAINED IN OR DISCLOSED BY THIS DOCUMENT IS CONFIDENTIAL AND PROPRIETARY INFORMATION OF AZTEC TENTS AND ALL RIGHTS THEREIN ARE EXPRESSLY RESERVED. BY ACCEPTING THIS MATERIAL THE RECIPIENT AGREES THAT THIS MATERIAL AND INFORMATION CONTAINED HEREIN IS HELD IN CONFIDENCE AND IN TRUST AND WILL NOT BE COPIED, REPRODUCED OR USED IN ANY MANNER OR FOR ANY PURPOSES WITHOUT THE WRITTEN CONSENT OF AZTEC TENTS, EXCEPT TO MEET THE SPECIFIC PURPOSE FOR WHICH IT WAS DELIVERED.

AZTEC TENTS
 DESIGN & PRODUCTION
 2665 COLUMBIA ST. TORRANCE, CA. 90503
 (800) 228-3687 - FAX (310) 381-0722

LEGEND POLE TENT
 100'W x 250'L LEGEND
 W/ 30'/40' MIDDLES
 PART NUMBER:

REVISION HISTORY			
REV.	DESCRIPTION	BY:	DATE:

SALES	
ENGINEER: N/A	DATE: 2/15/2018
PAGE: 1 OF 1	DRAWN: ELVIS