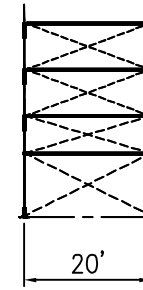
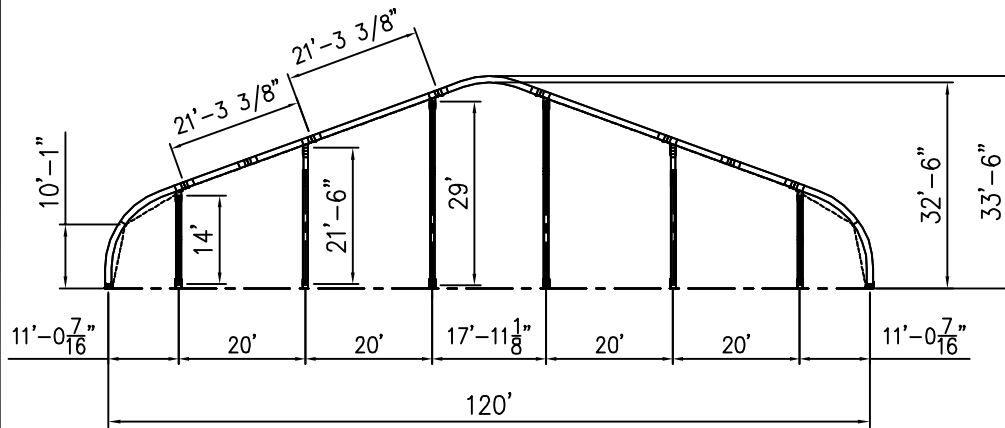
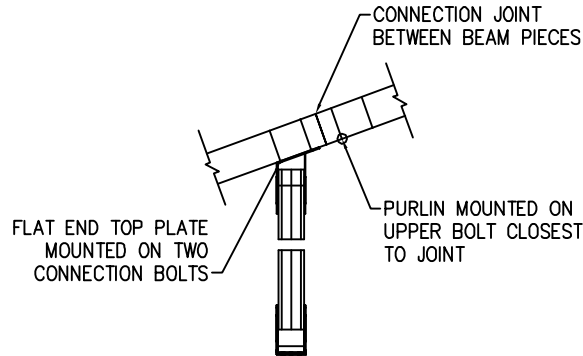


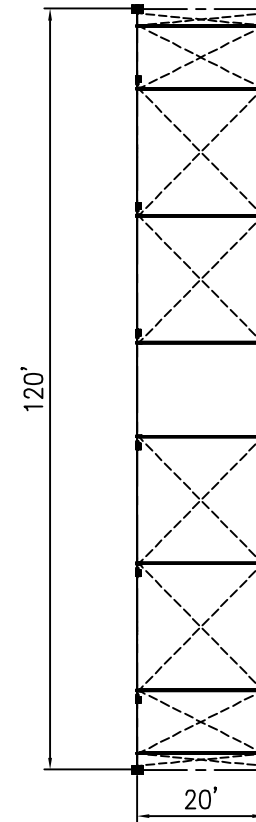
ISOMETRIC ELEVATION



SIDE ELEVATION



FRONT ELEVATION



PLAN ELEVATION



480 ALASKA AVE. TORRANCE, CA. 90503  
(800) 228-3687 - FAX (310) 381-0722

STANDARD

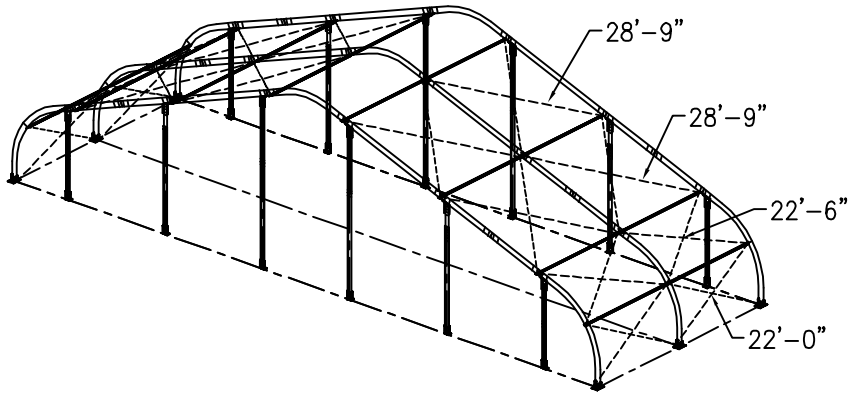
MAXI BEAM STRUCTURE / STANDARD  
1 20' W x 20' L x 20' BAYS

REV			
DRAWING NUMBER			
SIZE			
PART DESCRIPTION	MAXI	AZ-120x20x20-	MAXI

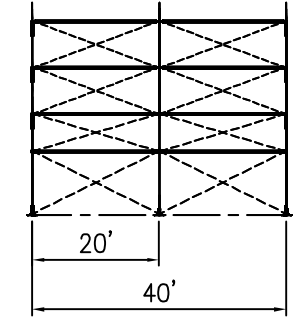
ENGINEER	CM	DRAWN	KT
CHECKED	-	DATE	03/31/06

ALL DATA AND INFORMATION CONTAINED IN OR DISCLOSED BY THIS DOCUMENT IS CONFIDENTIAL AND PROPRIETARY INFORMATION OF AZTEC TENTS AND ALL RIGHTS THEREIN ARE RESERVED. THE RECIPIENT AGREES THAT THIS MATERIAL AND INFORMATION CONTAINED THEREIN IS HELD IN CONFIDENCE AND IN TRUST AND WILL NOT BE COPIED, REPRODUCED WHOLE OR IN PART, NOR ITS CONTENTS REVEALED IN ANY MANNER TO OTHERS, WITHOUT THE WRITTEN CONSENT OF AZTEC TENTS, TO MEET THE SPECIFIC PURPOSE FOR WHICH IT WAS DELIVERED.

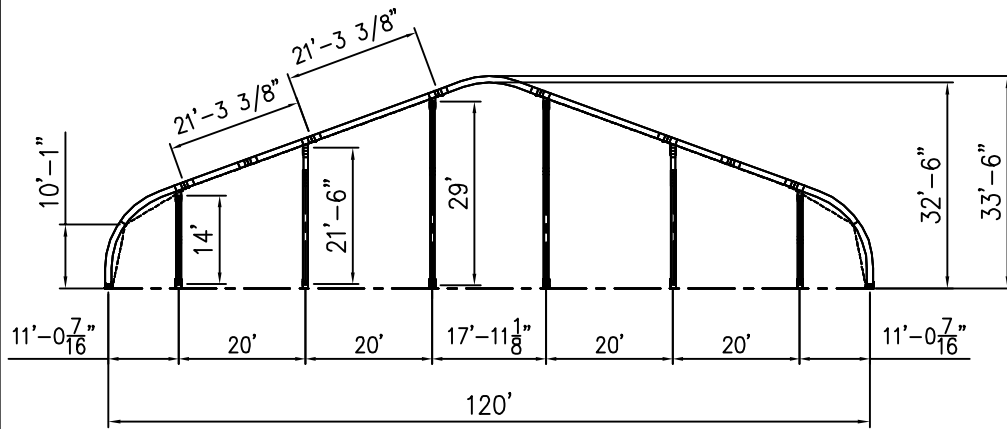
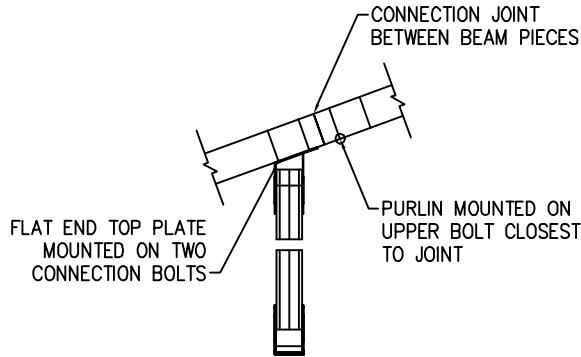
MX\BEAM BLOCK\120-W\120x20x20	040606	950
-------------------------------	--------	-----



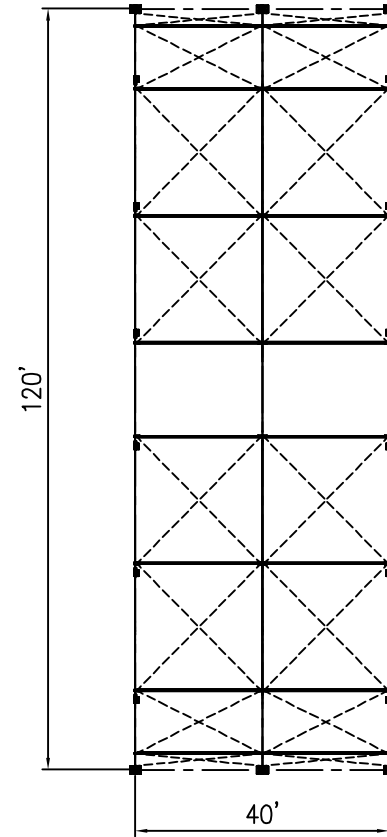
ISOMETRIC ELEVATION



SIDE ELEVATION



FRONT ELEVATION



PLAN ELEVATION



480 ALASKA AVE. TORRANCE, CA. 90503  
(800) 228-3687 - FAX (310) 381-0722

STANDARD

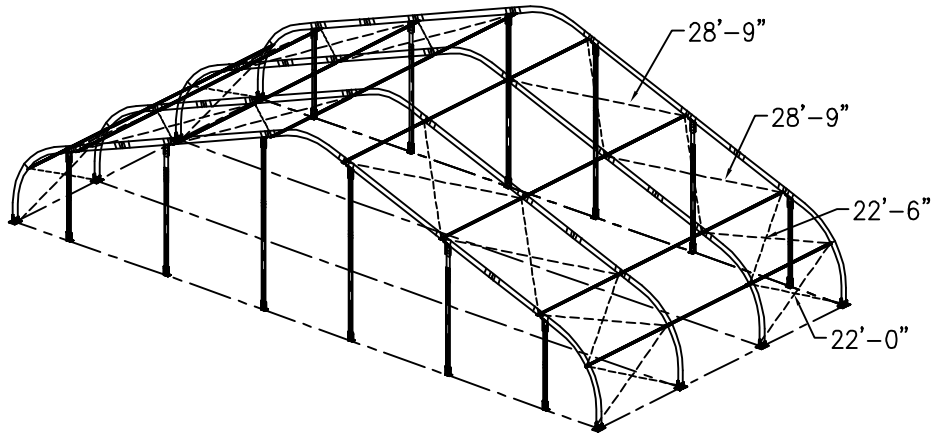
MAXI BEAM STRUCTURE / STANDARD  
1 20' W x 40' L x 20' BAYS

REV	
DRAWING NUMBER	MAXI
SIZE	AZ-120x40x20-MAXI
CODE	
PART DESCRIPTION	

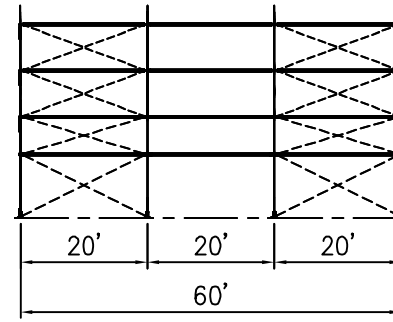
ENGINEER	CM
DRAWN	KT
DATE	03/31/06

ALL DATA AND INFORMATION CONTAINED IN OR DISCLOSED BY THIS DOCUMENT IS CONFIDENTIAL AND PROPRIETARY INFORMATION OF AZTEC TENTS AND ALL RIGHTS THEREIN ARE RESERVED. THE RECIPIENT AGREES THAT THIS MATERIAL AND INFORMATION CONTAINED HEREIN IS HELD IN CONFIDENCE AND IN TRUST AND WILL NOT BE COPIED, REPRODUCED WHOLE OR IN PART, NOR ITS CONTENTS REVEALED IN ANY MANNER TO OTHERS, WITHOUT THE WRITTEN CONSENT OF AZTEC TENTS, INC. TO MEET THE SPECIFIC PURPOSE FOR WHICH IT WAS DELIVERED.

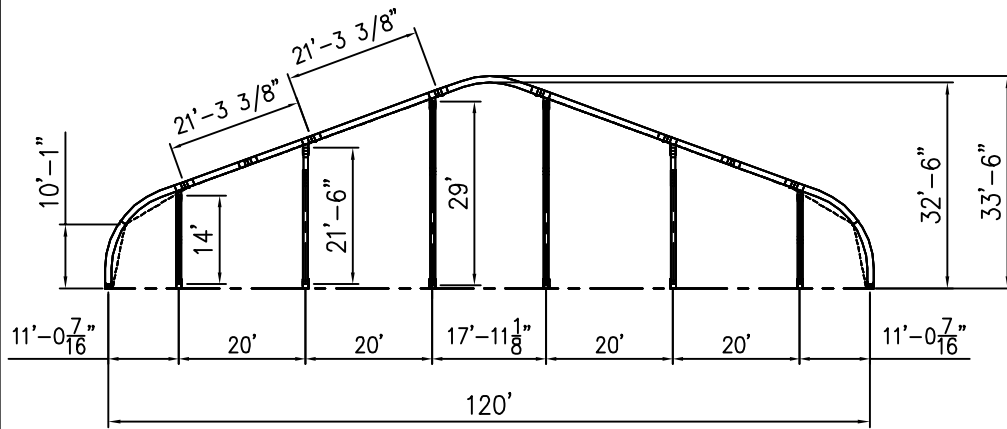
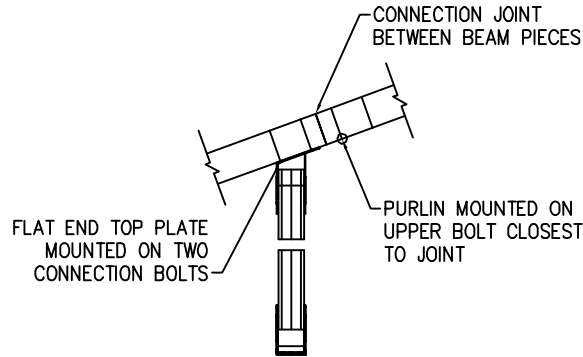
MX\BEAM BLOCK\120-W\120x40x20	040606	1445
-------------------------------	--------	------



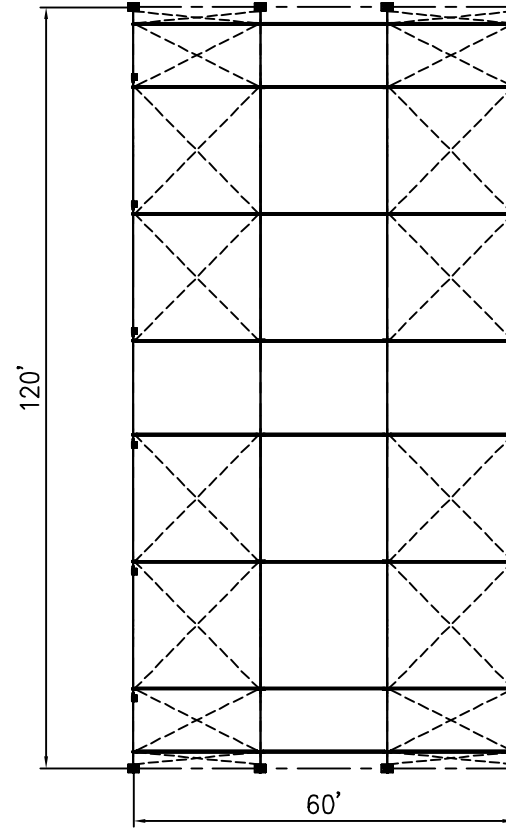
ISOMETRIC ELEVATION



SIDE ELEVATION



FRONT ELEVATION



PLAN ELEVATION



480 ALASKA AVE. TORRANCE, CA. 90503  
(800) 228-3687 - FAX (310) 381-0722

STANDARD

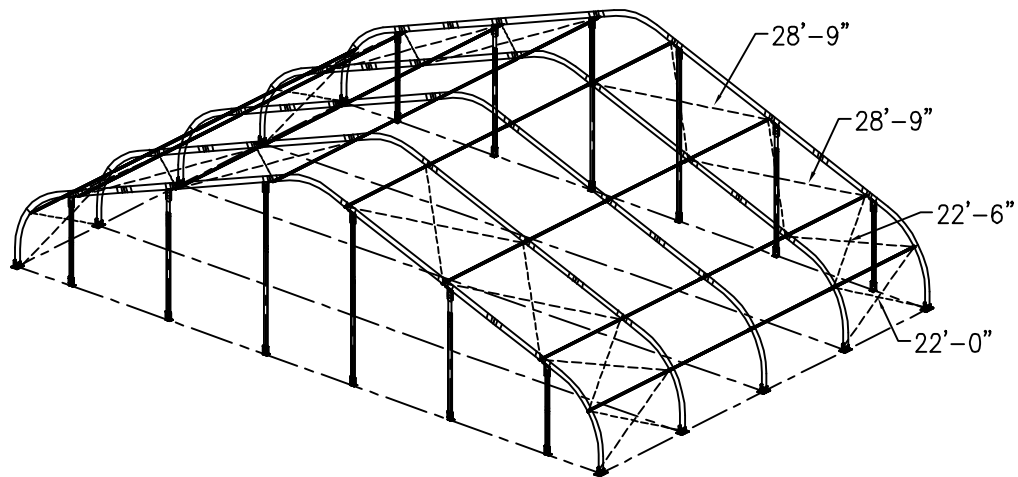
MAXI BEAM STRUCTURE / STANDARD  
120' W x 60' L x 20' BAYS

REV	1
DRAWING NUMBER	AZ-120x60x20-MAXI
CODE	
SIZE	
PART DESCRIPTION	MAXI

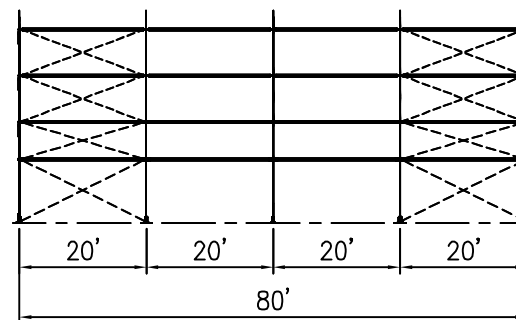
ENGINEER	CM
DRAWN	KT
DATE	03/31/06

ALL DATA AND INFORMATION CONTAINED IN OR DISCLOSED BY THIS DOCUMENT IS CONFIDENTIAL AND PROPRIETARY INFORMATION OF AZTEC TENTS AND ALL RIGHTS THEREIN ARE RESERVED. THE RECIPIENT AGREES THAT THIS MATERIAL AND INFORMATION CONTAINED THEREIN IS HELD IN CONFIDENCE AND IN TRUST AND WILL NOT BE COPIED, REPRODUCED WHOLE OR IN PART, NOR ITS CONTENTS REVEALED IN ANY MANNER TO OTHERS, WITHOUT THE WRITTEN CONSENT OF AZTEC TENTS, INC. TO MEET THE SPECIFIC PURPOSE FOR WHICH IT WAS DELIVERED.

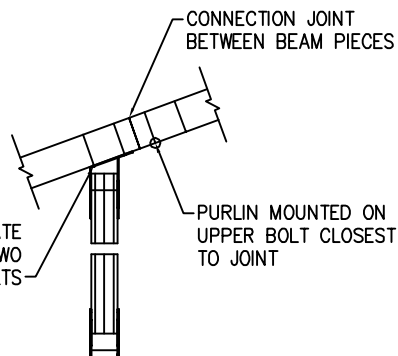
ENGINEER	CM
DRAWN	KT
DATE	03/31/06
CHECKED	-
040606	1515
MX\BEAM BLOCK\120-W\120x60x20	



ISOMETRIC ELEVATION



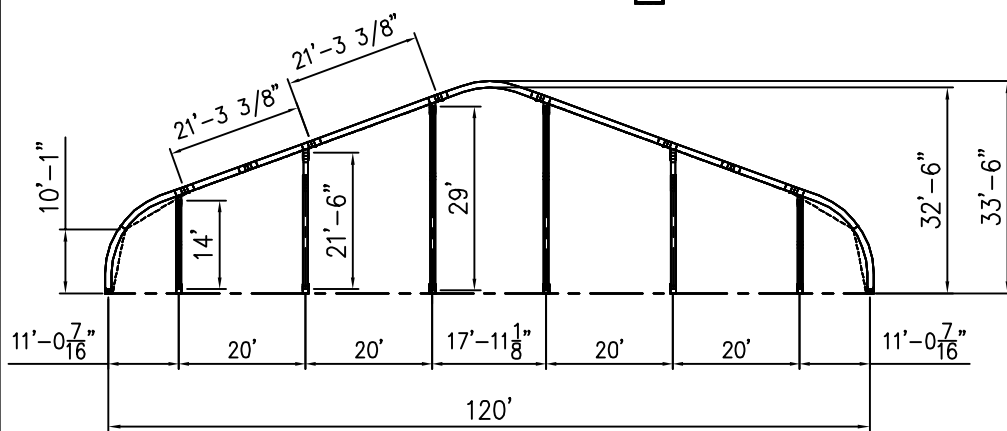
SIDE ELEVATION



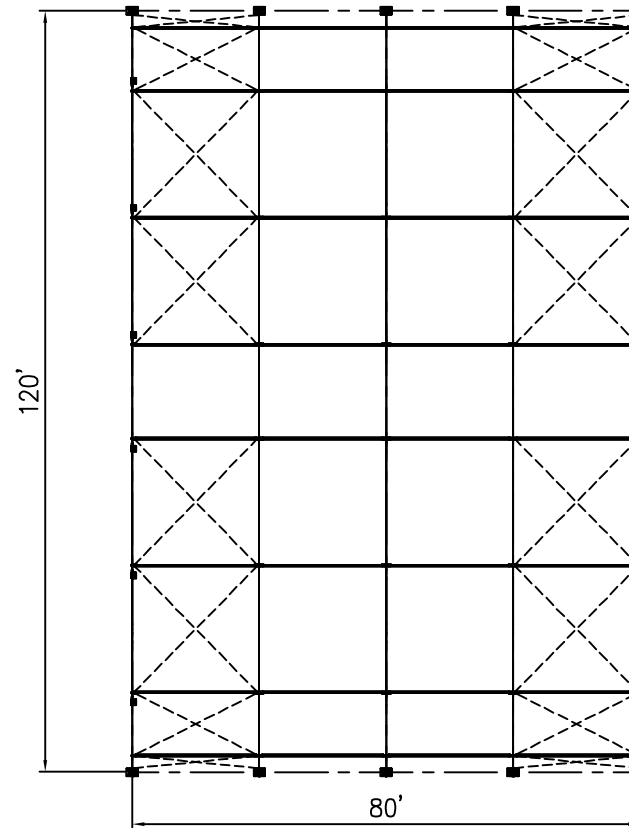
FLAT END TOP PLATE MOUNTED ON TWO CONNECTION BOLTS

CONNECTION JOINT BETWEEN BEAM PIECES

PURLIN MOUNTED ON UPPER BOLT CLOSEST TO JOINT



FRONT ELEVATION



PLAN ELEVATION



480 ALASKA AVE. TORRANCE, CA. 90503  
(800) 228-3687 - FAX (310) 381-0722

STANDARD

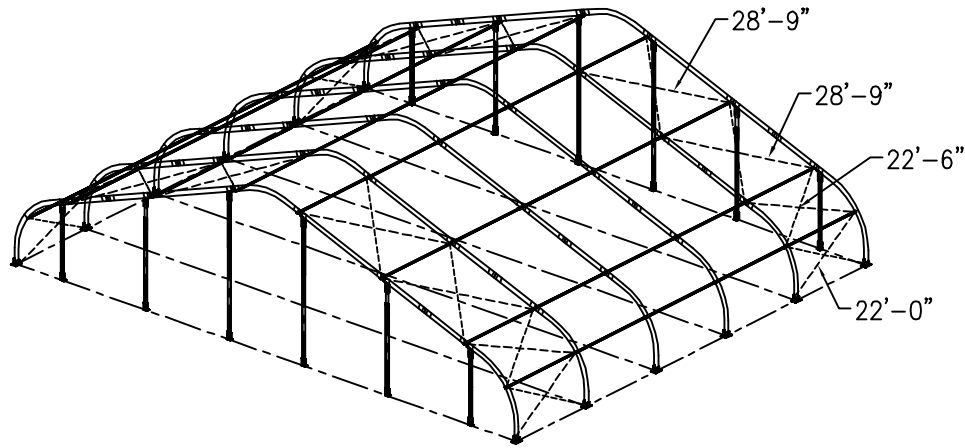
MAXI BEAM STRUCTURE / STANDARD  
120'W x 80'L x 20' BAYS

REV	1
DRAWING NUMBER	AZ-120x80x20-MAXI
SIZE	
CODE	
PART DESCRIPTION	MAXI

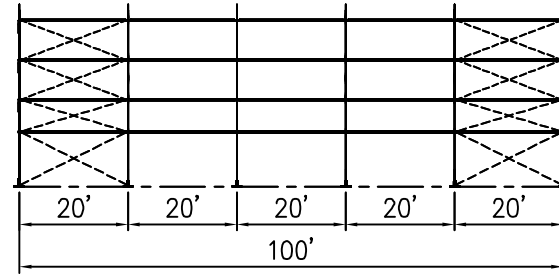
ENGINEER	CM
DRAWN	KT
DATE	03/31/06
CHECKED	-

ALL DATA AND INFORMATION CONTAINED IN OR DISCLOSED BY THIS DOCUMENT IS CONFIDENTIAL AND PROPRIETARY INFORMATION OF AZTEC TENTS AND ALL RIGHTS THEREIN ARE RESERVED. THE RECIPIENT AGREES THAT THIS MATERIAL AND INFORMATION CONTAINED THEREIN IS HELD IN CONFIDENCE AND IN TRUST AND WILL NOT BE COPIED, REPRODUCED WHOLE OR IN PART, NOR ITS CONTENTS REVEALED IN ANY MANNER TO OTHERS, WITHOUT THE WRITTEN CONSENT OF AZTEC TENTS, TO MEET THE SPECIFIC PURPOSE FOR WHICH IT WAS DELIVERED.

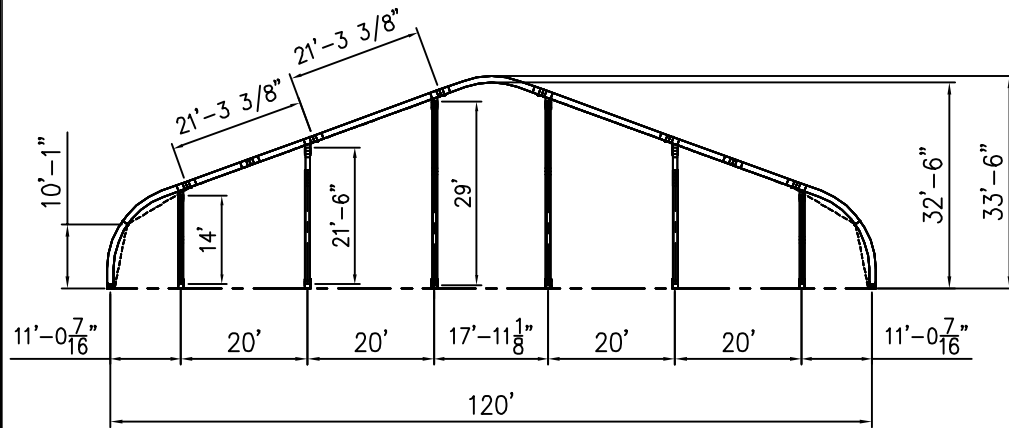
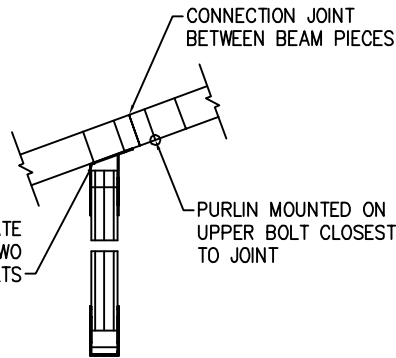
MX\BEAM BLOCK\120-W\120x80x20	040606	1520
-------------------------------	--------	------



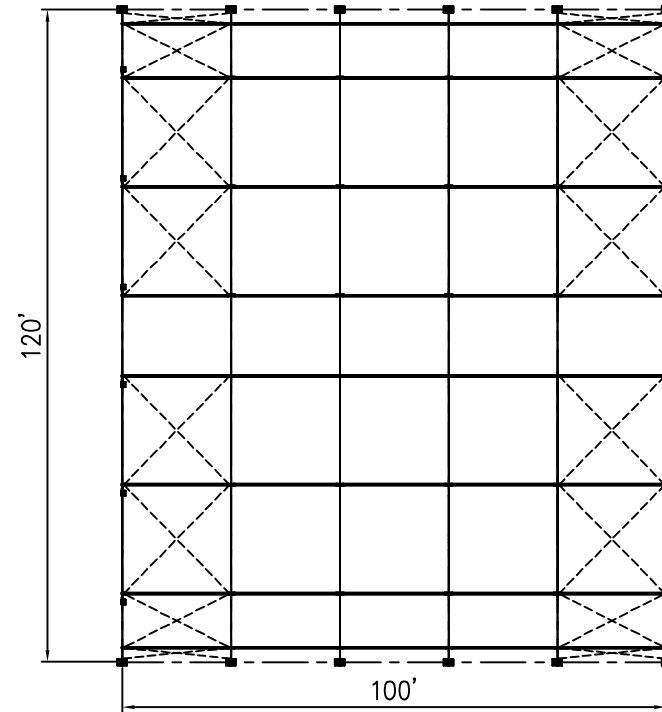
ISOMETRIC ELEVATION



SIDE ELEVATION



FRONT ELEVATION



PLAN ELEVATION



480 ALASKA AVE. TORRANCE, CA. 90503  
(800) 228-3667 - FAX (310) 381-0722

STANDARD

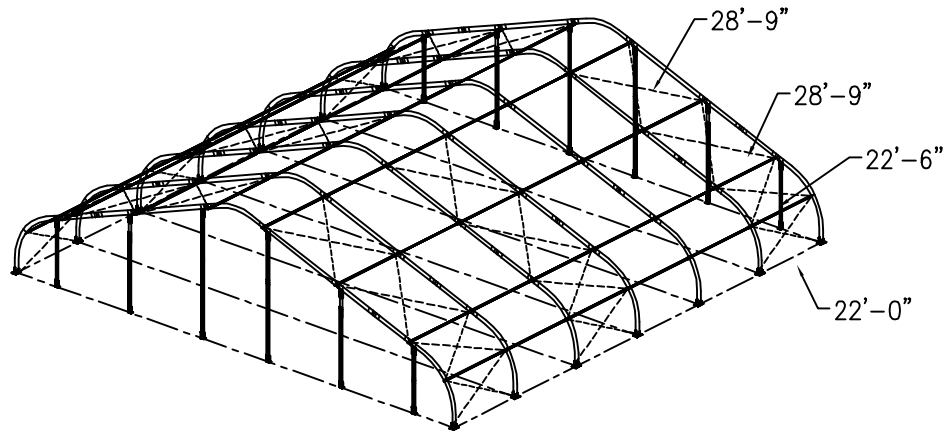
MAXI BEAM STRUCTURE / STANDARD  
120'W x 100'L x 20' BAYS

REV	1
DRAWING NUMBER	MAXI
SIZE	AZ-120x100x20-
CODE	MAXI
PART DESCRIPTION	MAXI

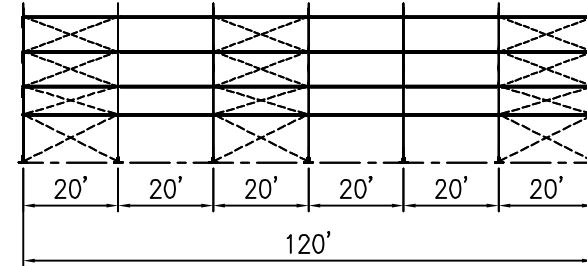
ENGINEER	CM
DRAWN	KT
DATE	03/31/06
CHECKED	-

ALL DATA AND INFORMATION CONTAINED IN OR DISCLOSED BY THIS DOCUMENT IS CONFIDENTIAL AND PROPRIETARY INFORMATION OF AZTEC TENTS AND ALL RIGHTS THEREIN ARE RESERVED. THE RECIPIENT AGREES THAT THIS MATERIAL AND INFORMATION CONTAINED HEREIN IS HELD IN CONFIDENCE AND IN TRUST AND WILL NOT BE COPIED, REPRODUCED WHOLE OR IN PART, NOR ITS CONTENTS REVEALED IN ANY MANNER TO OTHERS, WITHOUT THE WRITTEN CONSENT OF AZTEC TENTS, INC. TO MEET THE SPECIFIC PURPOSE FOR WHICH IT WAS DELIVERED.

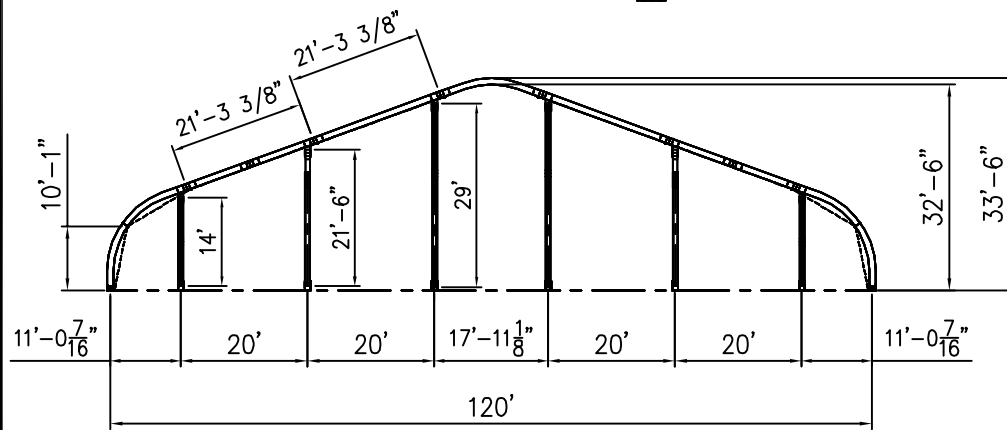
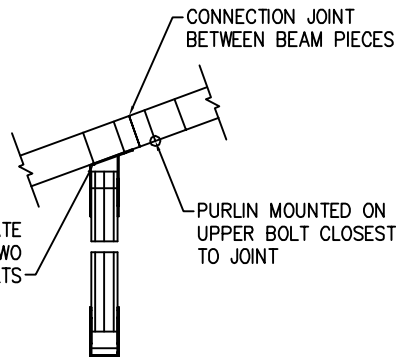
PROJECT	040606
DATE	1530
FILE	MX\BEAM BLOCK\120-W\120x100x20



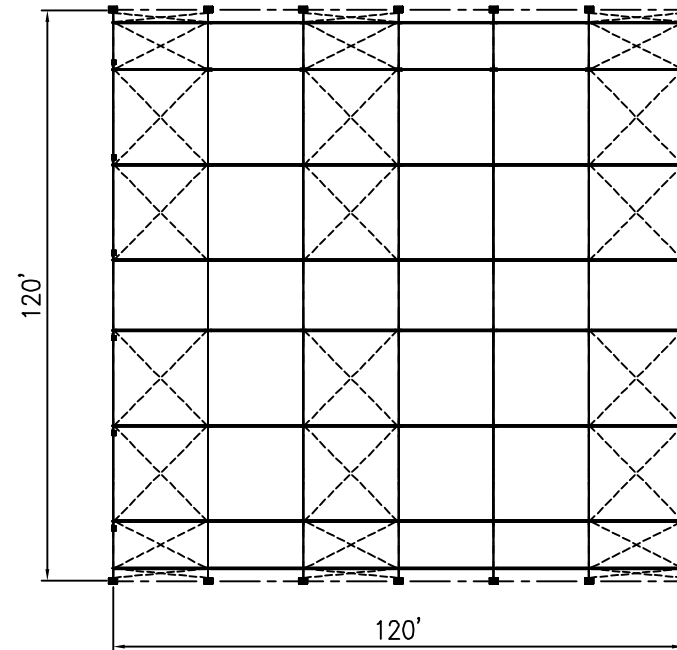
ISOMETRIC ELEVATION



SIDE ELEVATION



FRONT ELEVATION



PLAN ELEVATION



480 ALASKA AVE. TORRANCE, CA. 90503  
 (800) 228-3687 - FAX (310) 381-0722

STANDARD

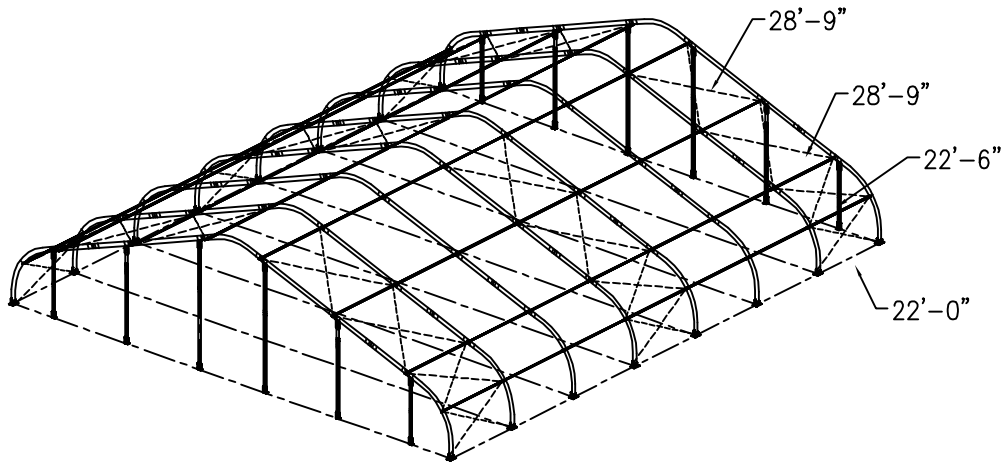
MAXI BEAM STRUCTURE / STANDARD  
 120' W x 120' L x 20' BAYS

REV	
DRAWING NUMBER	MAXI
SIZE	AZ-120x120x20-MAXI
CODE	
PART DESCRIPTION	

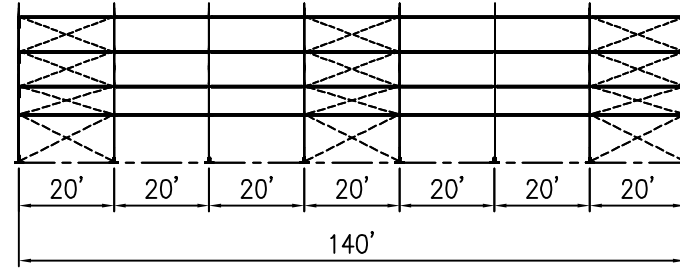
ENGINEER	CM
DRAWN	KT
DATE	03/31/06
CHECKED	-

ALL DATA AND INFORMATION CONTAINED IN OR DISCLOSED BY THIS DOCUMENT IS CONFIDENTIAL AND PROPRIETARY INFORMATION OF AZTEC TENTS AND ALL RIGHTS THEREIN ARE RESERVED. THE RECIPIENT AGREES THAT THIS MATERIAL AND INFORMATION CONTAINED THEREIN IS HELD IN CONFIDENCE AND IN TRUST AND WILL NOT BE COPIED, REPRODUCED WHOLE OR IN PART, NOR ITS CONTENTS REVEALED IN ANY MANNER TO OTHERS, WITHOUT THE WRITTEN CONSENT OF AZTEC TENTS TO MEET THE SPECIFIC PURPOSE FOR WHICH IT WAS DELIVERED.

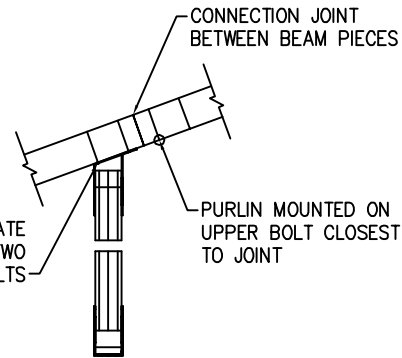
MX\BEAM BLOCK\120-W\120x120x20	040606	1540
--------------------------------	--------	------



ISOMETRIC ELEVATION



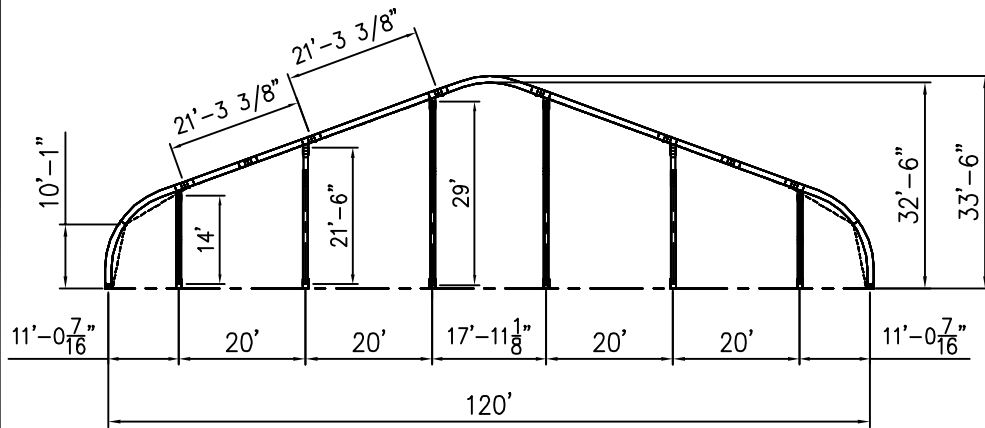
SIDE ELEVATION



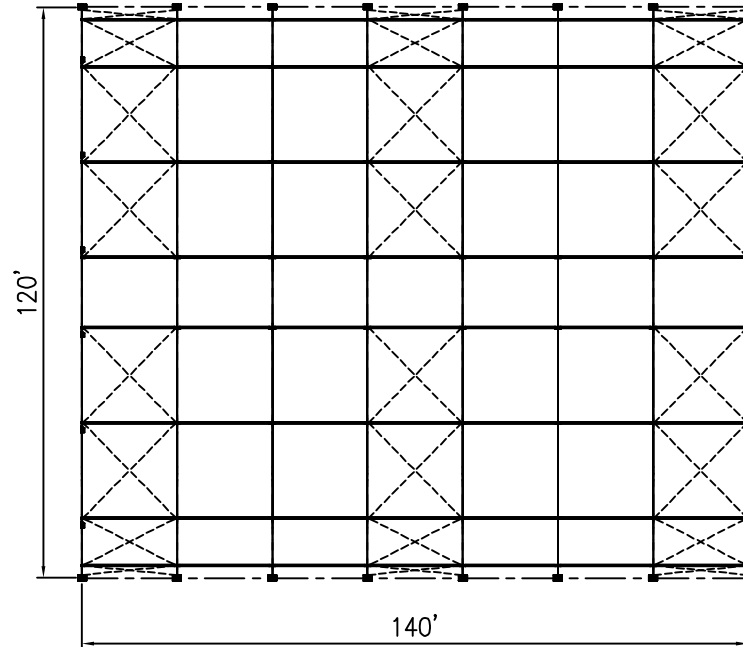
FLAT END TOP PLATE  
MOUNTED ON TWO  
CONNECTION BOLTS

CONNECTION JOINT  
BETWEEN BEAM PIECES

PURLIN MOUNTED ON  
UPPER BOLT CLOSEST  
TO JOINT



FRONT ELEVATION



PLAN ELEVATION



480 ALASKA AVE. TORRANCE, CA. 90503  
(800) 228-3687 - FAX (310) 381-0722

STANDARD

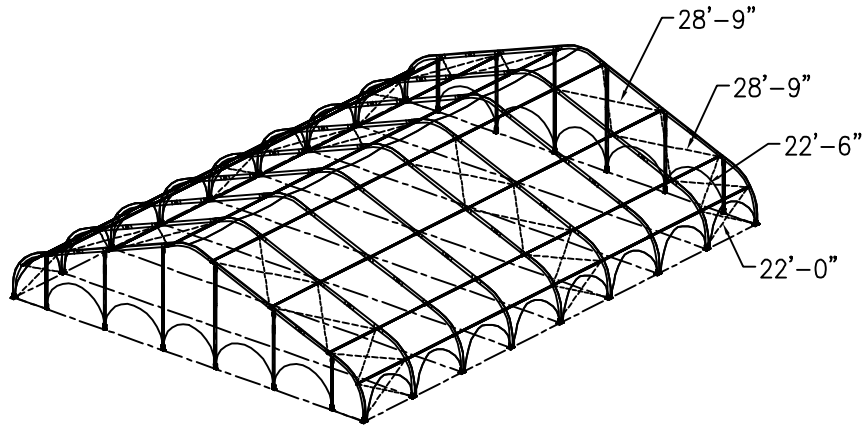
MAXI BEAM STRUCTURE / STANDARD  
120'W x 140'L x 20' BAYS

REV	
DRAWING NUMBER	MAXI
SIZE	AZ-120x140x20-MAXI
PART DESCRIPTION	MAXI

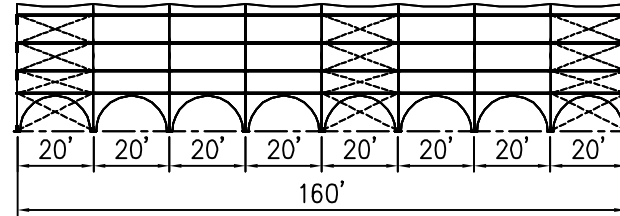
ENGINEER	CM
DRAWN	KT
DATE	03/31/06

ALL DATA AND INFORMATION CONTAINED IN OR DISCLOSED BY THIS DOCUMENT IS CONFIDENTIAL AND PROPRIETARY INFORMATION OF AZTEC TENTS AND ALL RIGHTS THEREIN ARE RESERVED. THE RECIPIENT AGREES THAT THIS MATERIAL AND INFORMATION CONTAINED THEREIN IS HELD IN CONFIDENCE AND IN TRUST AND WILL NOT BE COPIED, REPRODUCED WHOLE OR IN PART, NOR ITS CONTENTS REVEALED IN ANY MANNER TO OTHERS, WITHOUT THE WRITTEN CONSENT OF AZTEC TENTS, INC. TO MEET THE SPECIFIC PURPOSE FOR WHICH IT WAS DELIVERED.

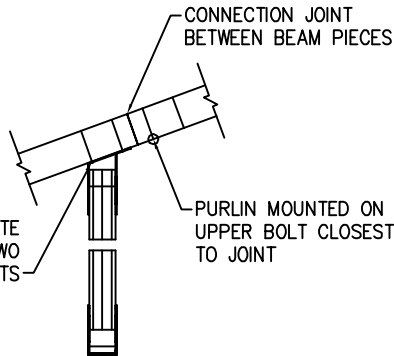
CHECKED	-
040606	1545
MX\BEAM BLOCK\120-W\120x140x20	



ISOMETRIC ELEVATION



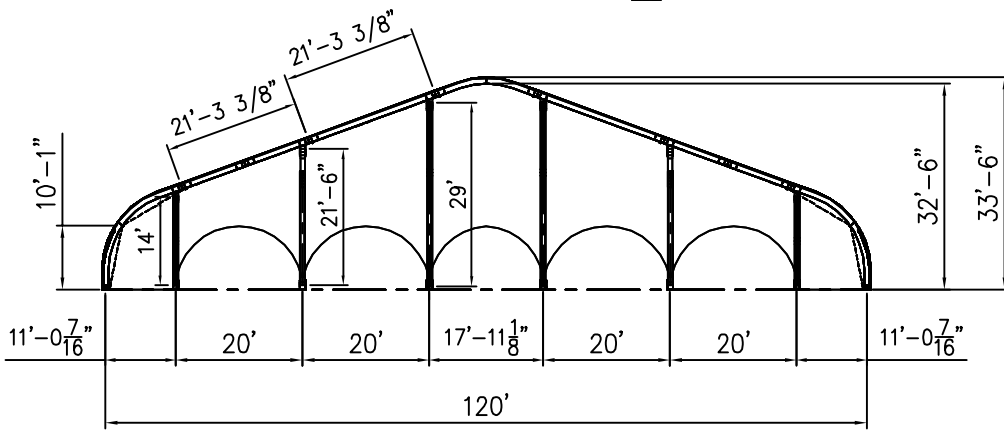
SIDE ELEVATION



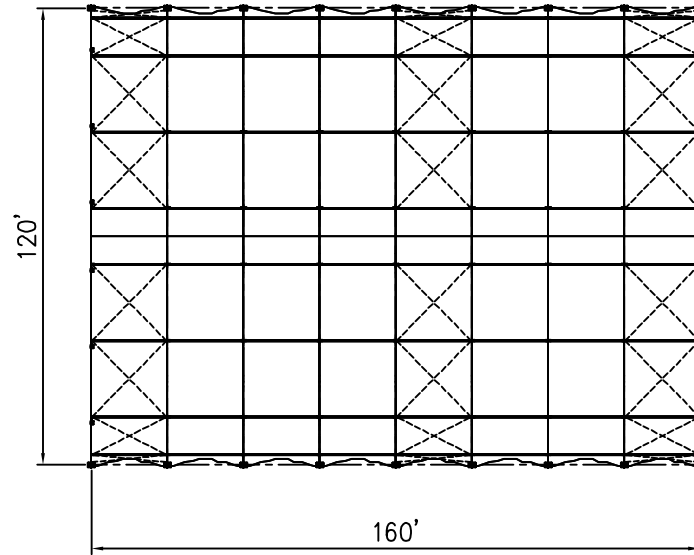
FLAT END TOP PLATE MOUNTED ON TWO CONNECTION BOLTS

CONNECTION JOINT BETWEEN BEAM PIECES

PURLIN MOUNTED ON UPPER BOLT CLOSEST TO JOINT



FRONT ELEVATION



PLAN ELEVATION



2685 COLUMBIA ST. TORRANCE, CA. 90503  
(800) 228-3687 - FAX (310) 381-0722

STANDARD

MAXI BEAM STRUCTURE / STANDARD  
120' W x 160' L x 20' BAYS

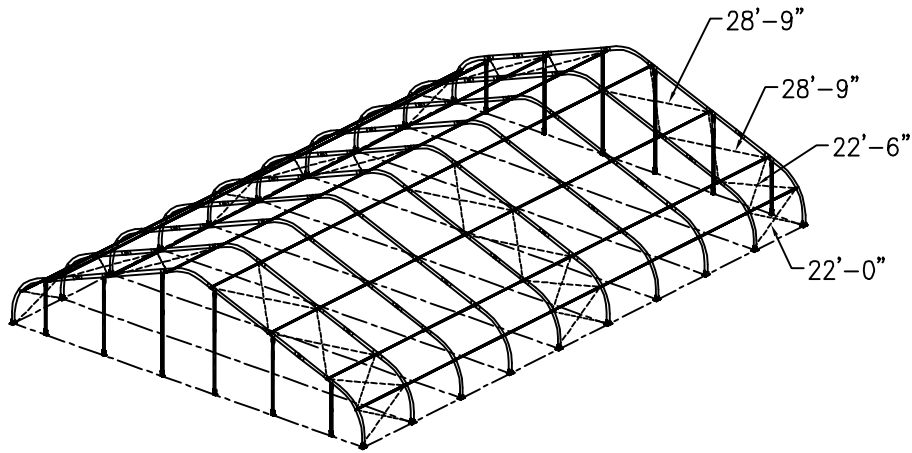
REV	
SIZE	
CODE	
PART DESCRIPTION	
DRAWING NUMBER	AZ-120x160x20-MAXI

ENGINEER	CM
DRAWN	KT
DATE	03/31/06
CHECKED	-

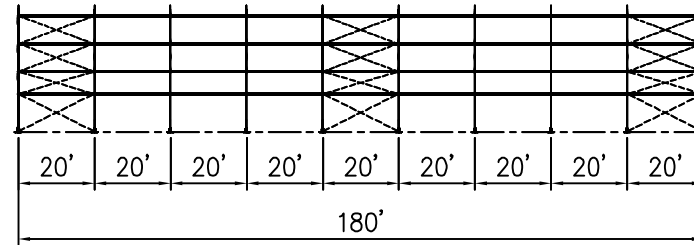
ALL DATA AND INFORMATION CONTAINED IN OR DISCLOSED BY THIS DOCUMENT IS CONFIDENTIAL AND PROPRIETARY INFORMATION OF AZTEC TENTS AND ALL RIGHTS THEREIN ARE RESERVED. THE RECIPIENT AGREES TO HOLD ALL INFORMATION CONTAINED HEREIN IN CONFIDENCE AND IN TRUST AND WILL NOT BE COPIED, REPRODUCED WHOLE OR IN PART, NOR ITS CONTENTS REVEALED IN ANY MANNER TO OTHERS, EXCEPT TO MEET THE SPECIFIC PURPOSE FOR WHICH IT WAS DELIVERED.

MX\BEAM BLOCK\120-W\120x160x20	021907	1555
--------------------------------	--------	------

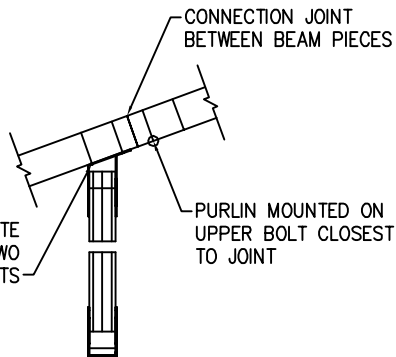




ISOMETRIC ELEVATION



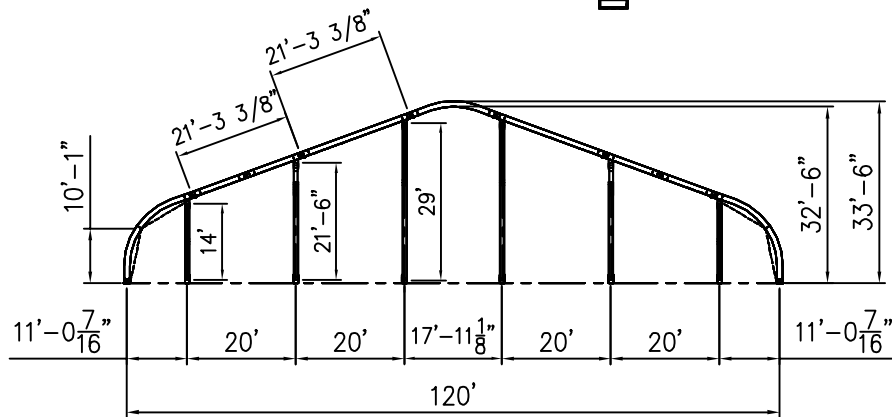
SIDE ELEVATION



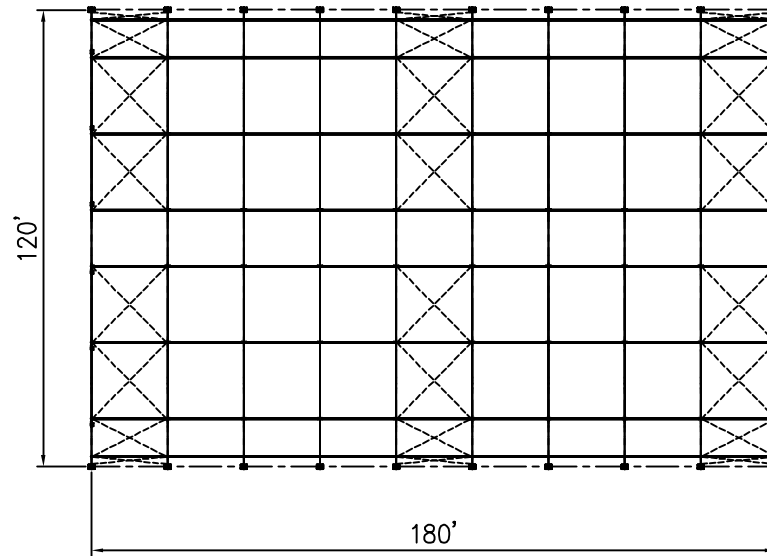
FLAT END TOP PLATE MOUNTED ON TWO CONNECTION BOLTS

CONNECTION JOINT BETWEEN BEAM PIECES

PURLIN MOUNTED ON UPPER BOLT CLOSEST TO JOINT



FRONT ELEVATION



PLAN ELEVATION



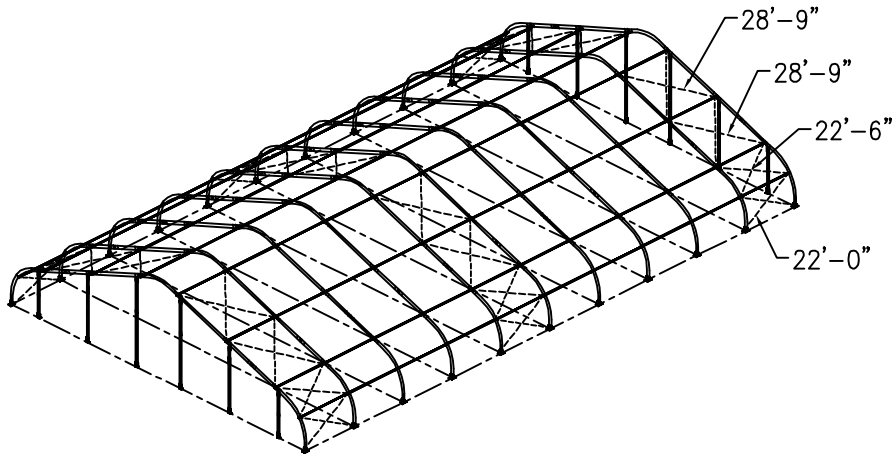
480 ALASKA AVE. TORRANCE, CA. 90503  
(800) 228-3687 - FAX (310) 381-0722

STANDARD

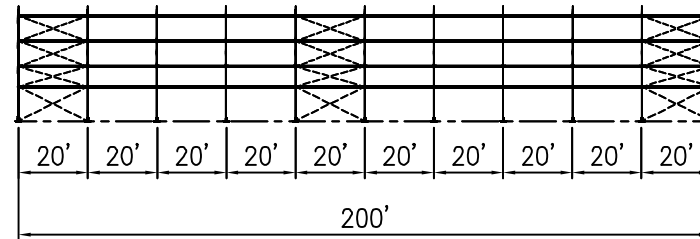
MAXI BEAM STRUCTURE / STANDARD  
120' W x 180' L x 20' BAYS

PART DESCRIPTION	MAXI	SIZE	AZ-120x180x20-	REV	1
ENGINEER	CM	DRAWN	KT	DATE	03/31/06
CHECKED	-	040606	1555		

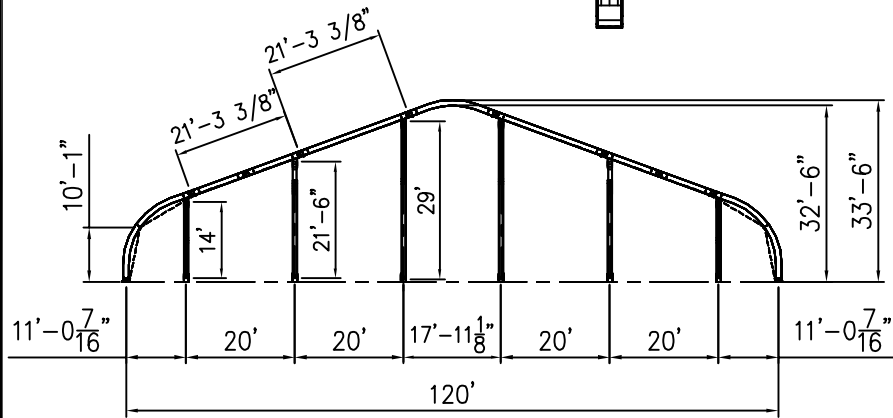
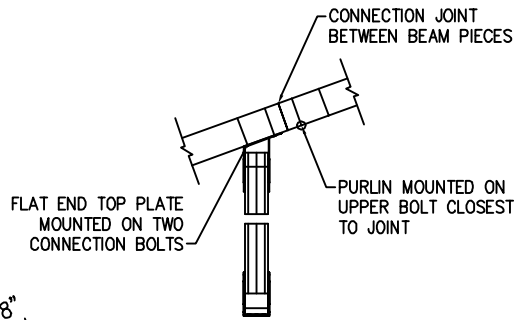
ALL DATA AND INFORMATION CONTAINED IN OR DISCLOSED BY THIS DOCUMENT IS CONFIDENTIAL AND PROPRIETARY INFORMATION OF AZTEC TENTS AND ALL RIGHTS THEREIN ARE RESERVED BY AZTEC TENTS. THE RECIPIENT AGREES THAT THIS MATERIAL AND INFORMATION CONTAINED HEREIN IS HELD IN CONFIDENCE AND IN TRUST AND WILL NOT BE COPIED, REPRODUCED WHOLE OR IN PART, NOR ITS CONTENTS REVEALED IN ANY MANNER TO OTHERS, WITHOUT THE WRITTEN CONSENT OF AZTEC TENTS. THIS AGREEMENT IS MADE TO MEET THE SPECIFIC PURPOSE FOR WHICH IT WAS DELIVERED.



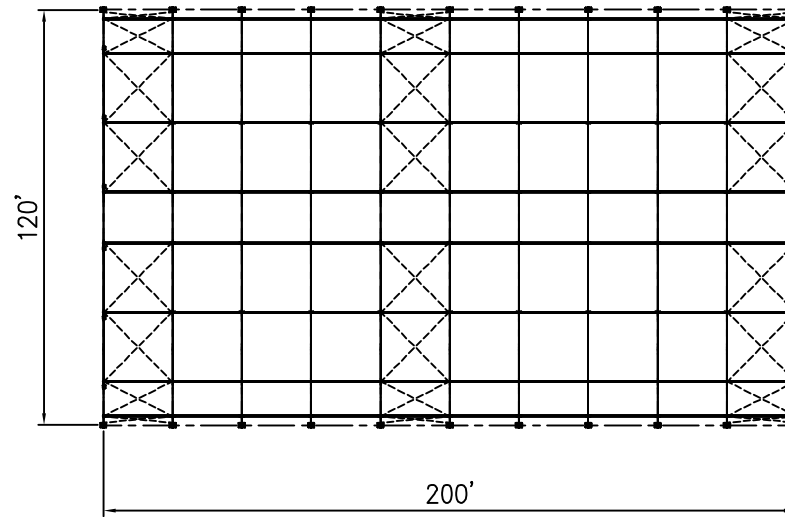
ISOMETRIC ELEVATION



SIDE ELEVATION



FRONT ELEVATION



PLAN ELEVATION

S T A N D A R D	
MAXI BEAM STRUCTURE / STANDARD 120' W x 200' L x 20' BAYS	
PART DESCRIPTION	DRAWING NUMBER
MAXI	AZ-120x200x20-MAXI
CODE	REV
SIZE	3

<b>AZTEC</b>	
480 ALASKA AVE. TORRANCE, CA. 90503 (800) 228-3687 - FAX (310) 381-0722	
ENGINEER	DATE
CM	03/09/06
DRAWN	KT
CHECKED	-

ALL DATA AND INFORMATION CONTAINED IN OR DISCLOSED BY THIS DOCUMENT IS CONFIDENTIAL AND PROPRIETARY INFORMATION OF AZTEC TENTS AND ALL RIGHTS THEREIN ARE RESERVED BY AZTEC TENTS. THE RECIPIENT AGREES THAT THIS MATERIAL AND INFORMATION CONTAINED HEREIN IS HELD IN CONFIDENCE AND IN TRUST AND WILL NOT BE COPIED, REPRODUCED WHOLE OR IN PART, NOR ITS CONTENTS REVEALED IN ANY MANNER TO OTHERS, WITHOUT THE WRITTEN CONSENT OF AZTEC TENTS. THIS AGREEMENT TO MEET THE SPECIFIC PURPOSE FOR WHICH IT WAS DELIVERED.

MX\BEAM BLOCK\120-W\120x200x20 040606 1600