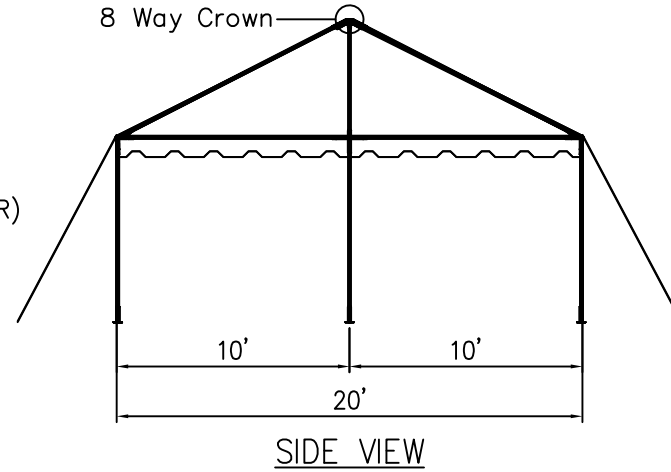
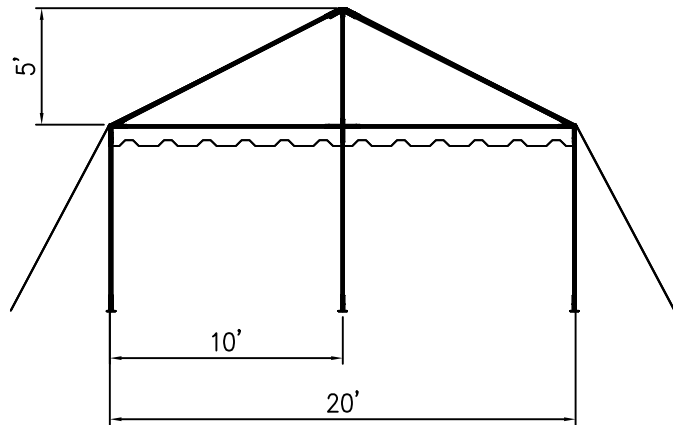


ISOMETRIC VIEW

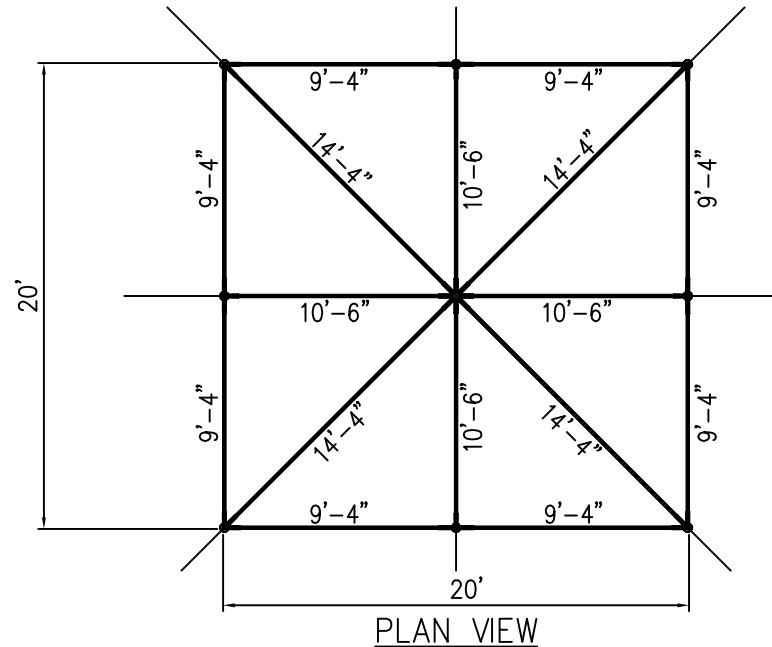


SIDE VIEW

20' x 20' STANDARD FRAME TENT



FRONT VIEW



PLAN VIEW

ALL DATA AND INFORMATION CONTAINED IN OR DISCLOSED BY THIS DOCUMENT IS CONFIDENTIAL AND PROPRIETARY INFORMATION OF AZTEC TENTS AND ALL RIGHTS THEREIN ARE EXPRESSLY RESERVED. BY ACCEPTING THIS MATERIAL THE RECIPIENT AGREES THAT THIS MATERIAL AND INFORMATION CONTAINED THEREIN IS HELD IN CONFIDENCE AND IN TRUST AND WILL NOT BE COPIED, REPRODUCED WHOLE OR IN PART, NOR ITS CONTENTS REVEALED IN ANY MANNER TO OTHERS, EXCEPT TO MEET THE SPECIFIC PURPOSE FOR WHICH IT WAS DELIVERED.

AZTEC TENTS
 DESIGN & PRODUCTION
 2665 COLUMBIA ST. TORRANCE, CA. 90503
 (800) 228-3687 - FAX (310) 381-0722

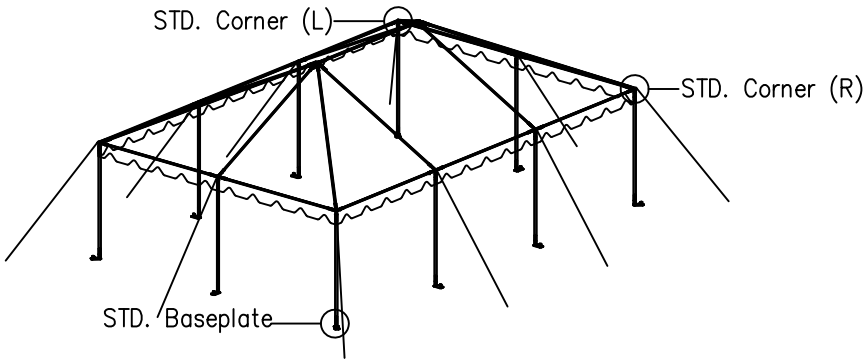
STANDARD FRAME
 FRAME TENT/STANDARD
 20'W X 20'L X 10' LEG SPACING
 PART NUMBER: ZXXXXXXX

REVISION HISTORY			
REV.	DESCRIPTION	BY:	DATE:
N/A	N/A	N/A	N/A
N/A	N/A	N/A	N/A
N/A	N/A	N/A	N/A
N/A	N/A	N/A	N/A
N/A	N/A	N/A	N/A

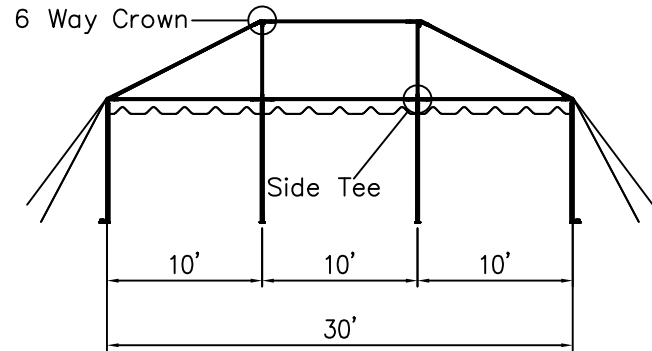
CONFIDENTIAL

ENGINEER: N/A DATE: 6/28/2016
 PAGE: 1 OF 1 DRAWN: HUGO.R

ALL DATA AND INFORMATION CONTAINED IN OR DISCLOSED BY THIS DOCUMENT IS CONFIDENTIAL AND PROPRIETARY INFORMATION OF AZTEC TENTS AND ALL RIGHTS THEREIN ARE EXPRESSLY RESERVED. BY ACCEPTING THIS MATERIAL THE RECIPIENT AGREES THAT THIS MATERIAL AND INFORMATION CONTAINED THEREIN IS HELD IN CONFIDENCE AND IN TRUST AND WILL NOT BE COPIED, REPRODUCED WHOLE OR IN PART, NOR ITS CONTENTS REVEALED IN ANY MANNER TO OTHERS, EXCEPT TO MEET THE SPECIFIC PURPOSE FOR WHICH IT WAS DELIVERED.

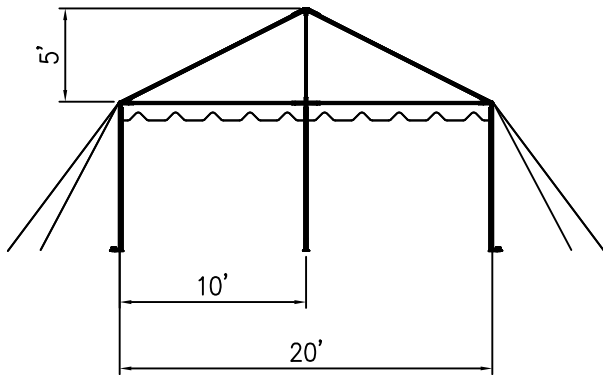


ISOMETRIC VIEW

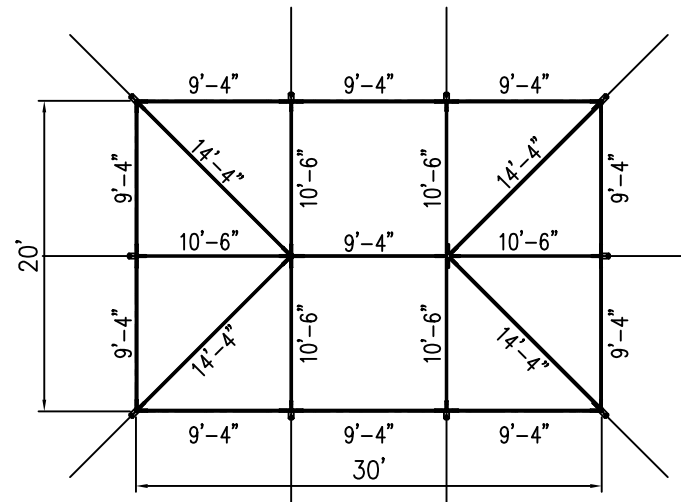


SIDE VIEW

20' x 30' STANDARD FRAME TENT



FRONT VIEW



PLAN VIEW

AZTEC TENTS
 DESIGN & PRODUCTION
 2665 COLUMBIA ST. TORRANCE, CA. 90503
 (800) 228-3687 - FAX (310) 381-0722

STANDARD FRAME

FRAME TENT/STANDARD
 20'W X 30'L X 10' SPACING

PART NUMBER: ZXXXXXXX

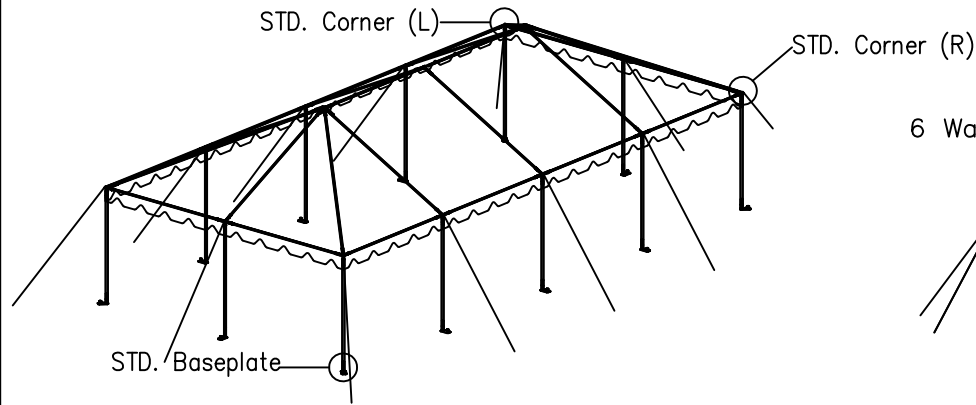
REVISION HISTORY

REV.	DESCRIPTION	BY:	DATE:
N/A	N/A	N/A	N/A
N/A	N/A	N/A	N/A
N/A	N/A	N/A	N/A
N/A	N/A	N/A	N/A
N/A	N/A	N/A	N/A

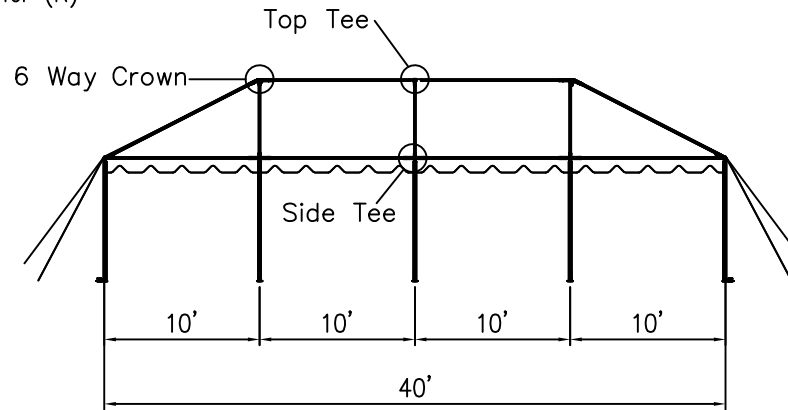
CONFIDENTIAL

ENGINEER: N/A DATE: 6/28/2016

PAGE: 1 OF 1 DRAWN: HUGO.R

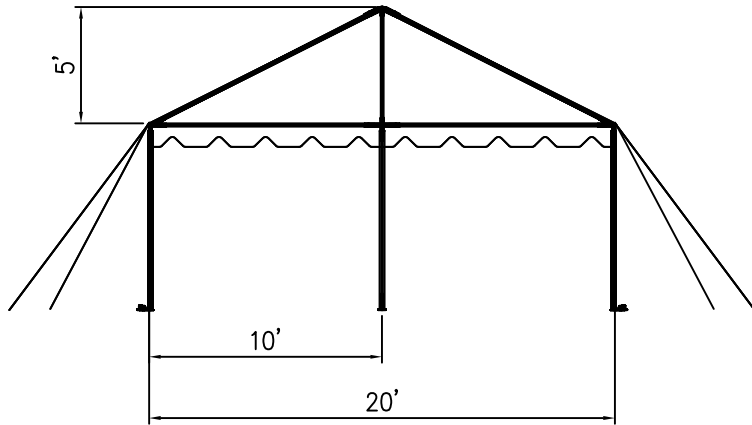


ISOMETRIC VIEW

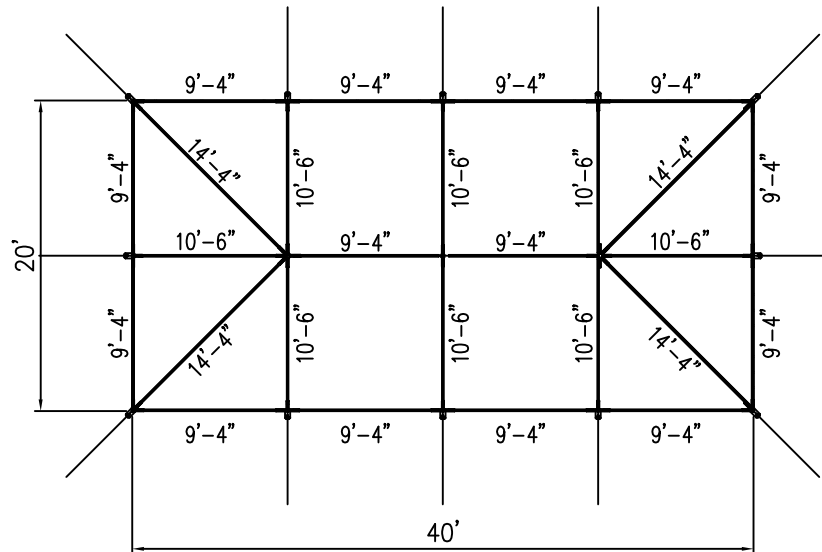


SIDE VIEW

20' x 40' STANDARD FRAME TENT



FRONT VIEW



PLAN VIEW

ALL DATA AND INFORMATION CONTAINED IN OR DISCLOSED BY THIS DOCUMENT IS CONFIDENTIAL AND PROPRIETARY INFORMATION OF AZTEC TENTS AND ALL RIGHTS THEREIN ARE EXPRESSLY RESERVED. BY ACCEPTING THIS MATERIAL THE RECIPIENT AGREES THAT THIS MATERIAL AND INFORMATION CONTAINED THEREIN IS HELD IN CONFIDENCE AND IN TRUST AND WILL NOT BE COPIED, REPRODUCED WHOLE OR IN PART, NOR ITS CONTENTS REVEALED IN ANY MANNER TO OTHERS, EXCEPT TO MEET THE SPECIFIC PURPOSE FOR WHICH IT WAS DELIVERED.

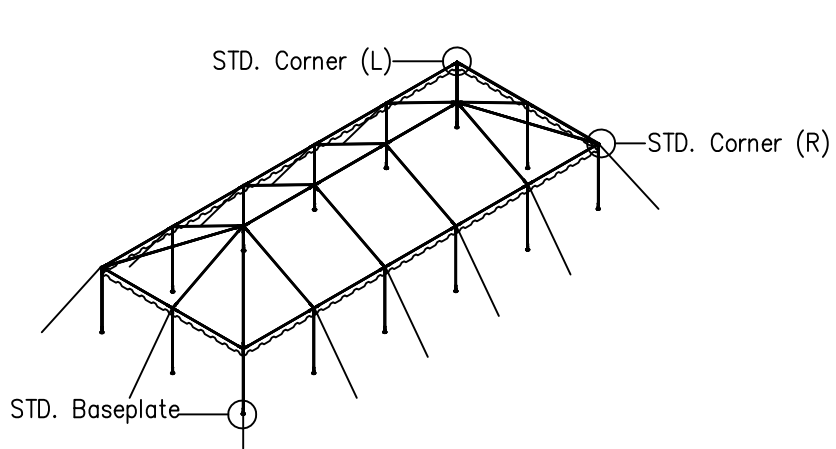
AZTEC TENTS
 DESIGN & PRODUCTION
 2665 COLUMBIA ST. TORRANCE, CA, 90503
 (800) 228-3687 - FAX (310) 381-0722

STANDARD FRAME
 FRAME TENT/STANDARD
 20'W X 40'L X 10' LEG SPACING
 PART NUMBER: ZXXXXXXX

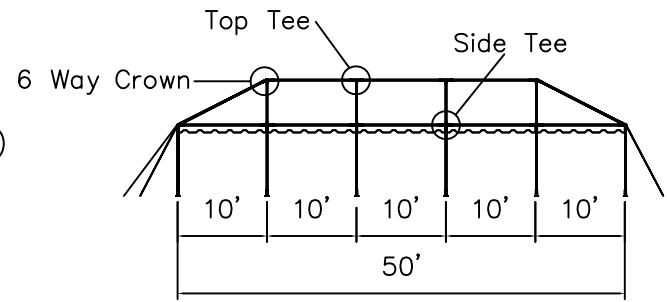
REVISION HISTORY			
REV.	DESCRIPTION	BY:	DATE:
N/A	N/A	N/A	N/A
N/A	N/A	N/A	N/A
N/A	N/A	N/A	N/A
N/A	N/A	N/A	N/A
N/A	N/A	N/A	N/A

CONFIDENTIAL

ENGINEER: N/A DATE: 6/28/2016
 PAGE: 1 OF 1 DRAWN: HUGO.R

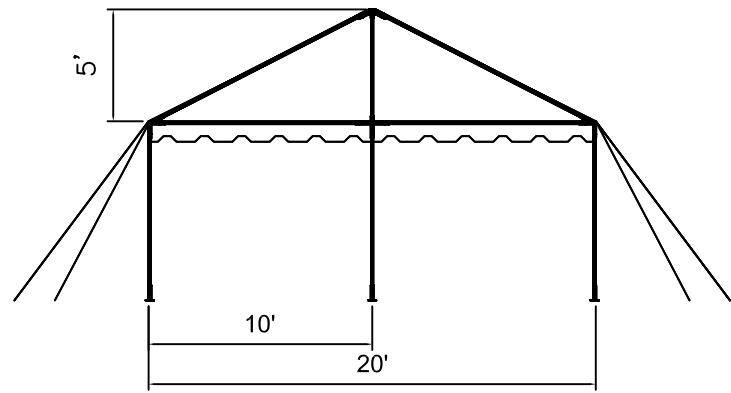


ISOMETRIC VIEW

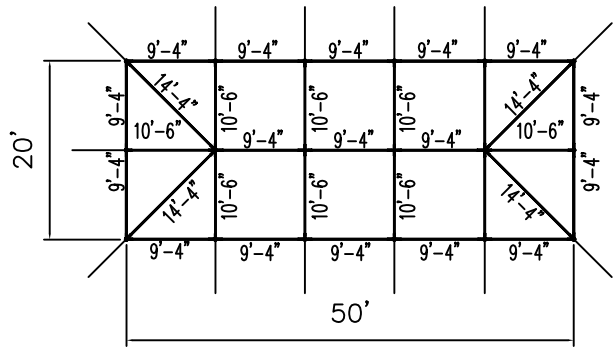


SIDE VIEW

20' x 50' STANDARD FRAME TENT



FRONT VIEW



PLAN VIEW

ALL DATA AND INFORMATION CONTAINED IN OR DISCLOSED BY THIS DOCUMENT IS CONFIDENTIAL AND PROPRIETARY INFORMATION OF AZTEC TENTS AND ALL RIGHTS THEREIN ARE EXPRESSLY RESERVED. BY ACCEPTING THIS MATERIAL THE RECIPIENT AGREES THAT THIS MATERIAL AND INFORMATION CONTAINED THEREIN IS HELD IN CONFIDENCE AND IN TRUST AND WILL NOT BE COPIED, REPRODUCED WHOLE OR IN PART, NOR ITS CONTENTS REVEALED, EITHER ORALLY OR IN WRITING, WITHOUT THE EXPRESS WRITTEN PURPOSE FOR WHICH IT WAS DELIVERED.

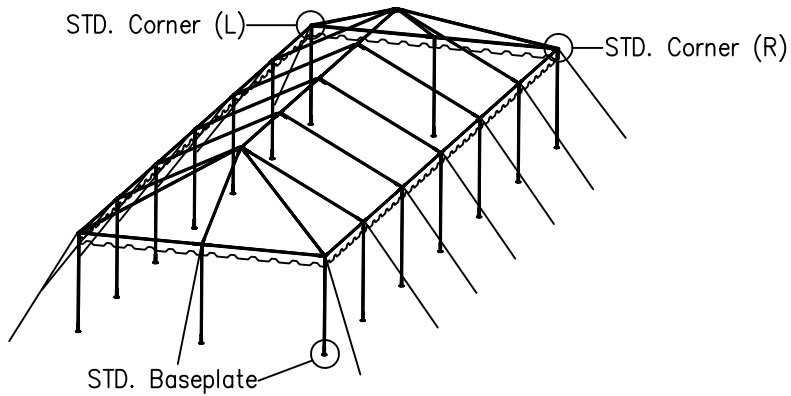
AZTEC TENTS
 DESIGN & PRODUCTION
 2665 COLUMBIA ST. TORRANCE, CA. 90503
 (800) 228-3687 - FAX (310) 381-0722

STANDARD FRAME
 FRAME TENT/STANDARD
 20'W X 50'L X 10' BAYS
 PART NUMBER: ZXXXXXXX

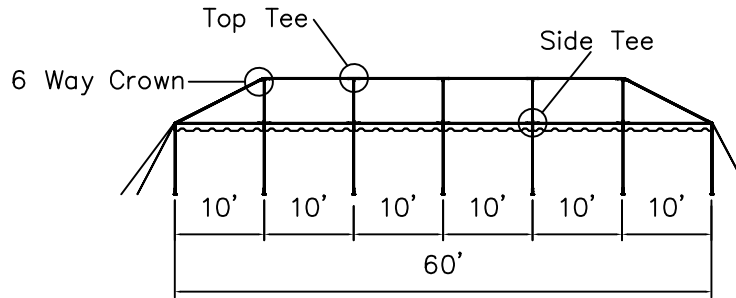
REVISION HISTORY			
REV.	DESCRIPTION:	BY:	DATE:
N/A	N/A	N/A	N/A
N/A	N/A	N/A	N/A
N/A	N/A	N/A	N/A
N/A	N/A	N/A	N/A
N/A	N/A	N/A	N/A

CONFIDENTIAL

ENGINEER: N/A DATE: 6/28/2016
 PAGE: 1 OF 1 DRAWN: HUGO.R

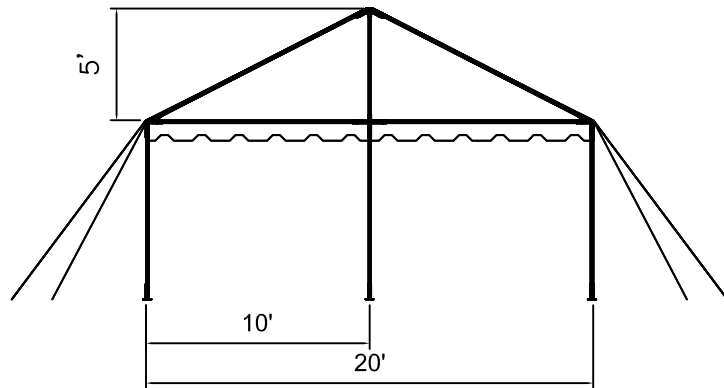


ISOMETRIC VIEW

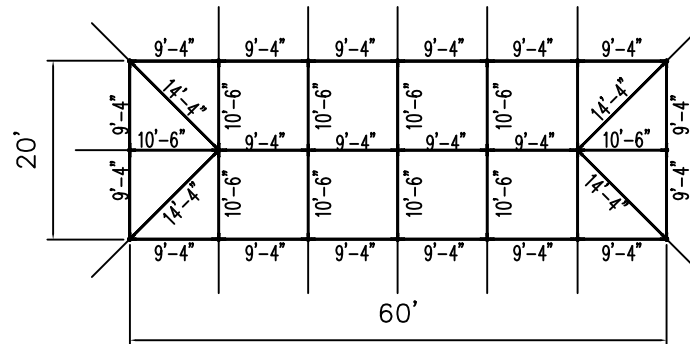


SIDE VIEW

20' x 60' STANDARAD FRAME TENT



FRONT VIEW



PLAN VIEW

ALL DATA AND INFORMATION CONTAINED IN OR DISCLOSED BY THIS DOCUMENT IS CONFIDENTIAL AND PROPRIETARY INFORMATION OF AZTEC TENTS AND ALL RIGHTS THEREIN ARE EXPRESSLY RESERVED. BY ACCEPTING THIS MATERIAL THE RECIPIENT AGREES THAT THIS MATERIAL AND INFORMATION CONTAINED THEREIN IS HELD IN CONFIDENCE AND IN TRUST AND WILL NOT BE COPIED, REPRODUCED WHOLE OR IN PART, NOR ITS CONTENTS REVEALED, IN ANY MANNER, TO ANY OTHERS, WITHOUT THE SPECIFIC PURPOSE FOR WHICH IT WAS DELIVERED.

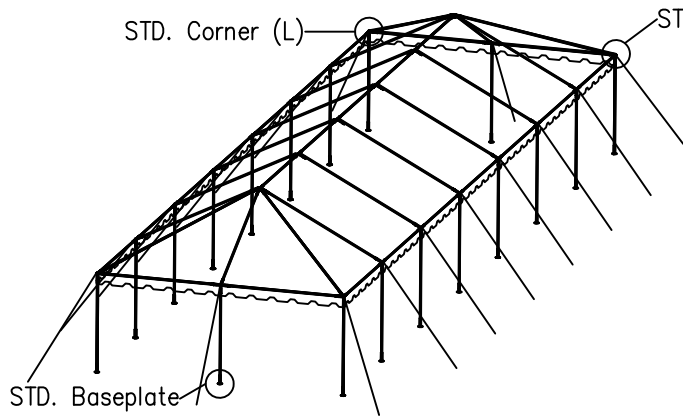
AZTEC TENTS
 DESIGN & PRODUCTION
 2665 COLUMBIA ST. TORRANCE, CA, 90503
 (800) 228-3687 - FAX (310) 381-0722

STANDARD FRAME
 FRAME TENT/STANDARD
 20'W X 60'L X 10' BAYS
 PART NUMBER: ZXXXXXXX

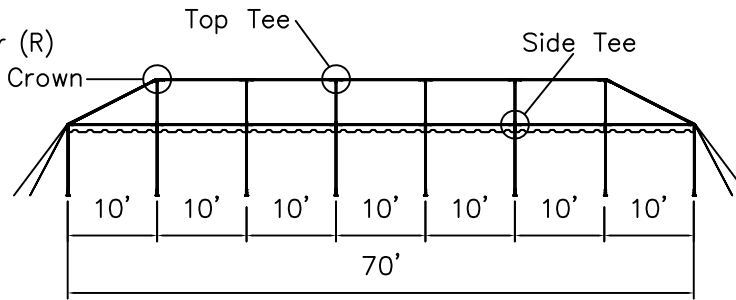
REVISION HISTORY			
REV.	DESCRIPTION:	BY:	DATE:
N/A	N/A	N/A	N/A
N/A	N/A	N/A	N/A
N/A	N/A	N/A	N/A
N/A	N/A	N/A	N/A
N/A	N/A	N/A	N/A

CONFIDENTIAL

ENGINEER: N/A DATE: 6/28/2016
 PAGE: 1 OF 1 DRAWN: HUGO.R

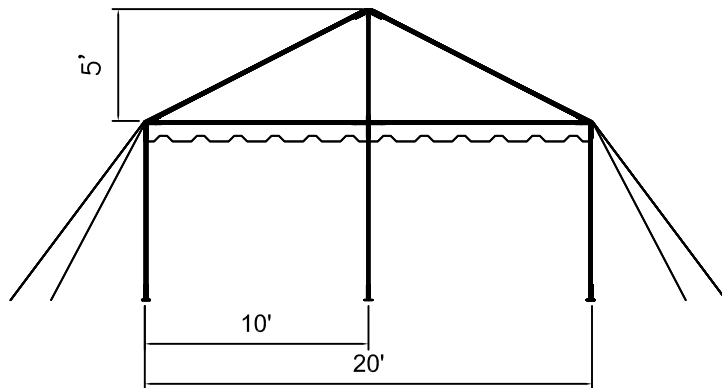


ISOMETRIC VIEW

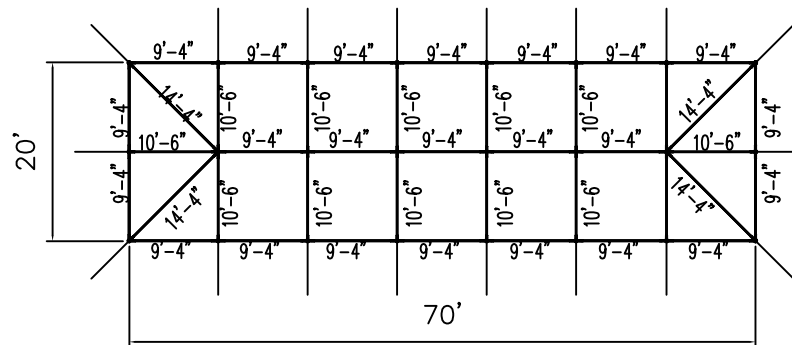


SIDE VIEW

20' x 70' STANDARD FRAME TENT



FRONT VIEW



PLAN VIEW

ALL DATA AND INFORMATION CONTAINED IN OR DISCLOSED BY THIS DOCUMENT IS CONFIDENTIAL AND PROPRIETARY INFORMATION OF AZTEC TENTS AND ALL RIGHTS THEREIN ARE EXPRESSLY RESERVED. BY ACCEPTING THIS MATERIAL THE RECIPIENT AGREES THAT THIS MATERIAL AND INFORMATION CONTAINED THEREIN IS HELD IN CONFIDENCE AND IN TRUST AND WILL NOT BE COPIED, REPRODUCED WHOLE OR IN PART, NOR ITS CONTENTS REVEALED, EITHER ORALLY OR IN WRITING, WITHOUT THE SPECIFIC PURPOSE FOR WHICH IT WAS DELIVERED.

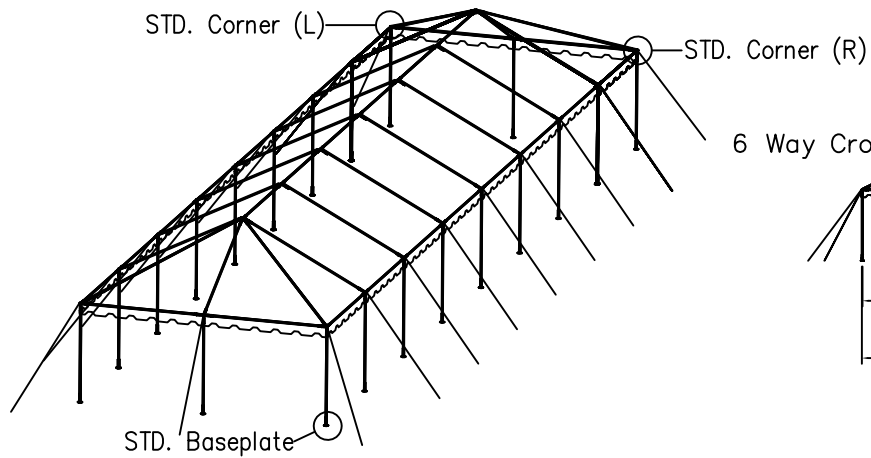
AZTEC TENTS
 DESIGN & PRODUCTION
 2665 COLUMBIA ST. TORRANCE, CA, 90503
 (800) 228-3687 - FAX (310) 381-0722

STANDARD FRAME
 FRAME TENT/STANDARD
 20'W X 70'L X 10' BAYS
 PART NUMBER: ZXXXXXXX

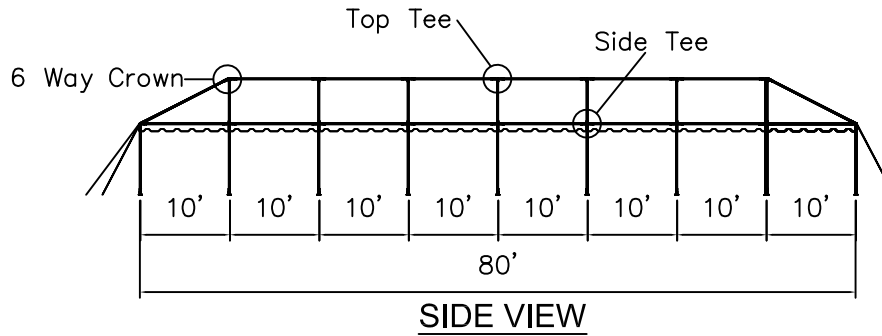
REVISION HISTORY			
REV.	DESCRIPTION:	BY:	DATE:
N/A	N/A	N/A	N/A
N/A	N/A	N/A	N/A
N/A	N/A	N/A	N/A
N/A	N/A	N/A	N/A
N/A	N/A	N/A	N/A

CONFIDENTIAL

ENGINEER: N/A DATE: 6/29/2016
 PAGE: 1 OF 1 DRAWN: HUGO.R

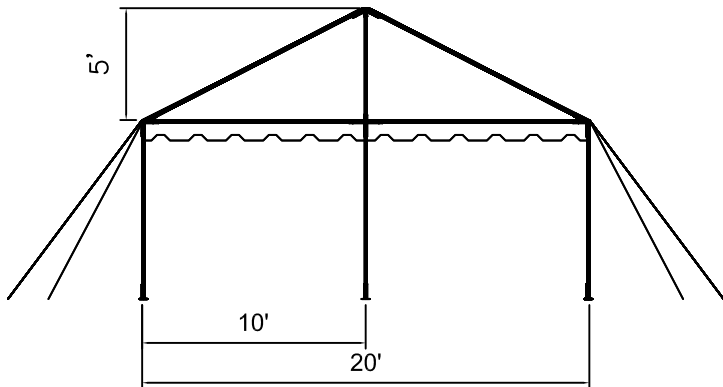


ISOMETRIC VIEW

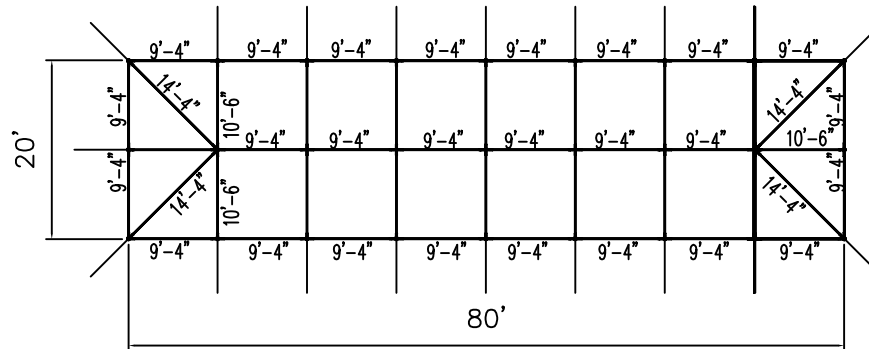


SIDE VIEW

20' x 80' STANDARD FRAME TENT



END VIEW



PLAN VIEW

ALL DATA AND INFORMATION CONTAINED IN OR DISCLOSED BY THIS DOCUMENT IS CONFIDENTIAL AND PROPRIETARY INFORMATION OF AZTEC TENTS AND ALL RIGHTS THEREIN ARE EXPRESSLY RESERVED. BY ACCEPTING THIS MATERIAL THE RECIPIENT AGREES THAT THIS MATERIAL AND INFORMATION CONTAINED THEREIN IS HELD IN CONFIDENCE AND IN TRUST AND WILL NOT BE COPIED, REPRODUCED WHOLE OR IN PART, NOR ITS CONTENTS REVEALED, IN ANY MANNER TO ANY OTHER PARTY WITHOUT THE SPECIFIC PURPOSE FOR WHICH IT WAS DELIVERED.

AZTEC TENTS
 DESIGN & PRODUCTION
 2665 COLUMBIA ST. TORRANCE, CA. 90503
 (800) 228-3687 - FAX (310) 381-0722

STANDARD FRAME
 FRAME TENT/STANDARD
 20'W X 80'L X 10' BAYS
 PART NUMBER: ZXXXXXXX

REVISION HISTORY			
REV.	DESCRIPTION:	BY:	DATE:
N/A	N/A	N/A	N/A
N/A	N/A	N/A	N/A
N/A	N/A	N/A	N/A
N/A	N/A	N/A	N/A
N/A	N/A	N/A	N/A

CONFIDENTIAL

ENGINEER: N/A DATE: 6/29/2016
 PAGE: 1 OF 1 DRAWN: HUGO.R