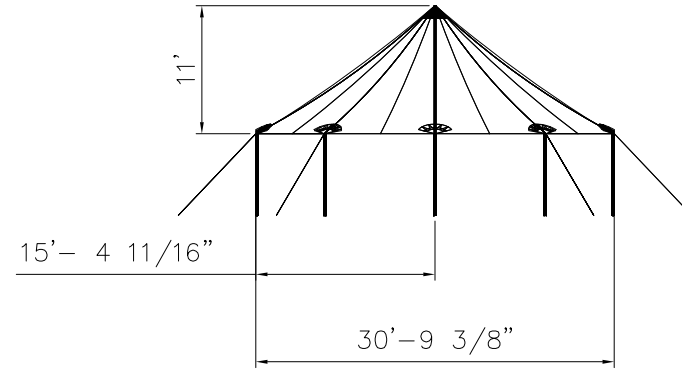
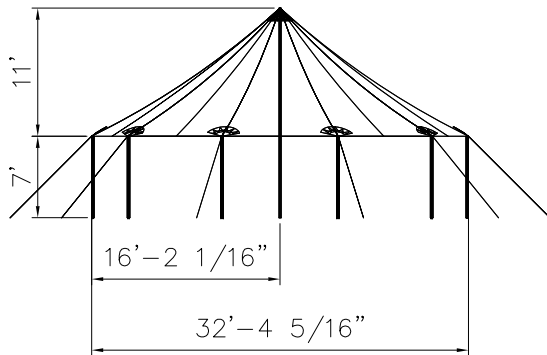


ISOMETRIC VIEW

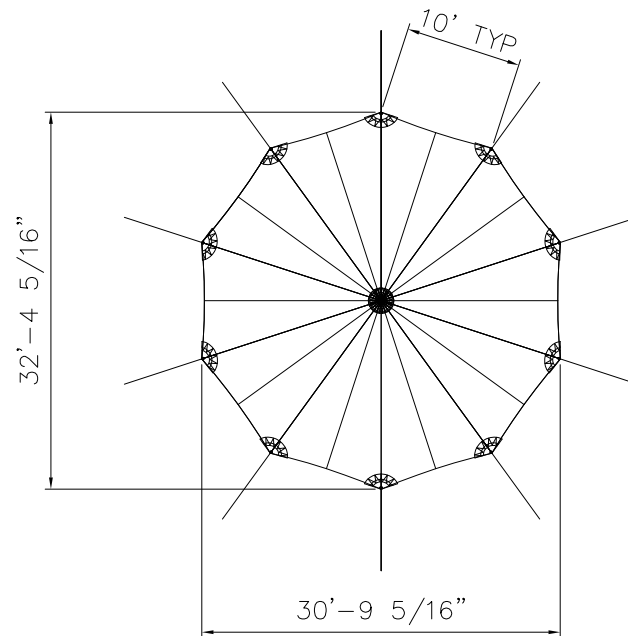


SIDE VIEW

TIDEWATER SAIL CLOTH TENT 32' X 30' 1pc.



END VIEW



PLAN VIEW

ALL DATA AND INFORMATION CONTAINED IN OR DISCLOSED BY THIS DOCUMENT IS CONFIDENTIAL AND PROPRIETARY INFORMATION OF AZTEC TENTS AND ALL RIGHTS THEREIN ARE EXPRESSLY RESERVED. BY ACCEPTING THIS MATERIAL THE RECIPIENT AGREES THAT THIS MATERIAL AND INFORMATION CONTAINED THEREIN IS HELD IN CONFIDENCE AND IN TRUST AND WILL NOT BE COPIED, REPRODUCED WHOLE OR IN PART, NOR ITS CONTENTS REVEALED, IN ANY MANNER, WITHOUT THE WRITTEN CONSENT OF AZTEC TENTS, INC. FOR ANY PURPOSE FOR WHICH IT WAS DELIVERED.

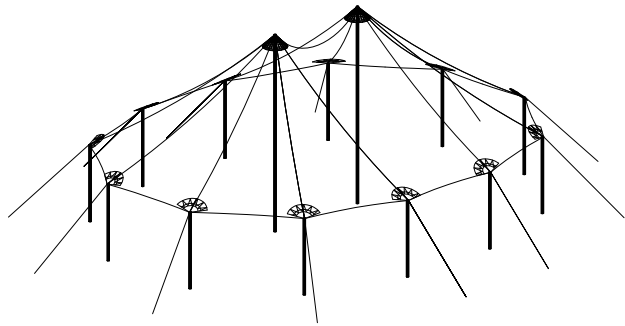
AZTEC TENTS
DESIGN & PRODUCTION
 2665 COLUMBIA ST. TORRANCE, CA. 90503
 (800) 228-3687 - FAX (310) 381-0722

TIDEWATER POLE TENT
 TIDEWATER SAILCLOTH TENT/STANDARD
 32' W X 30' L TIDEWATER SAIL CLOTH TENT
 PART NUMBER: ZXXXXXXX

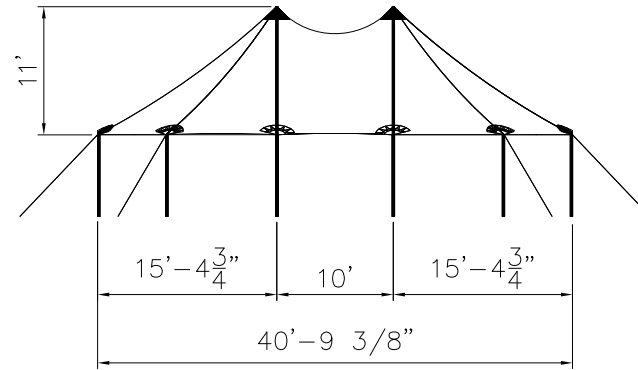
| REVISION HISTORY | | | |
|------------------|--------------|-----|-------|
| REV. | DESCRIPTION: | BY: | DATE: |
| | | | |
| | | | |
| | | | |
| | | | |

CONFIDENTIAL

| | |
|------------------|--------------------|
| ENGINEER: N/A | DATE: 4/27/2016 |
| PAGES: 1 OF 1 | DRAWN: HUGO.R |

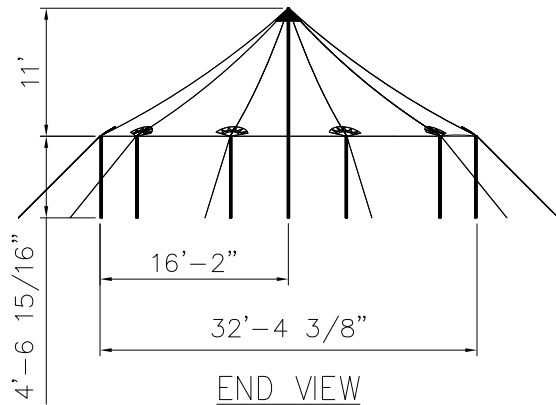


ISOMETRIC VIEW

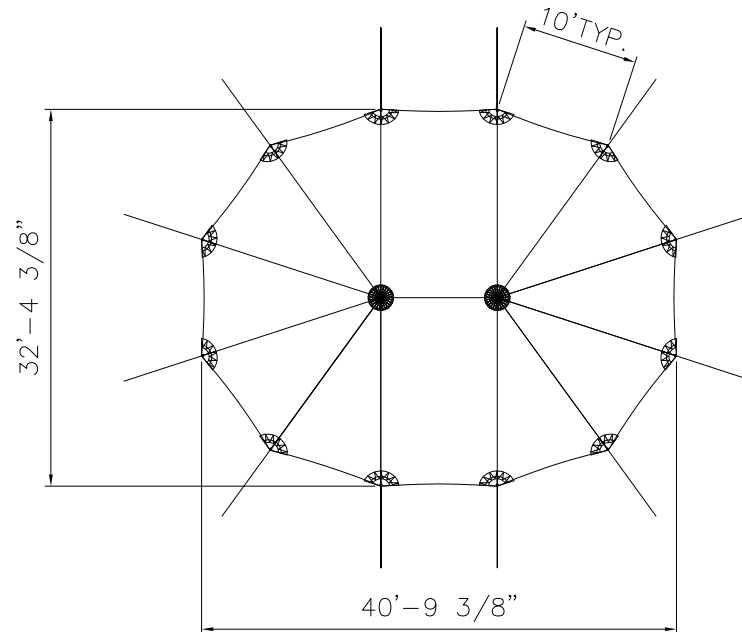


SIDE VIEW

TIDEWATER SAIL CLOTH TENT 32' X 40' 1 pc.



END VIEW



PLAN VIEW

ALL DATA AND INFORMATION CONTAINED IN OR DISCLOSED BY THIS DOCUMENT IS CONFIDENTIAL AND PROPRIETARY INFORMATION OF AZTEC TENTS AND ALL RIGHTS THEREIN ARE EXPRESSLY RESERVED. BY ACCEPTING THIS MATERIAL THE RECIPIENT AGREES THAT THIS MATERIAL AND INFORMATION CONTAINED THEREIN IS HELD IN CONFIDENCE AND IN TRUST AND WILL NOT BE COPIED, REPRODUCED WHOLE OR IN PART, NOR ITS CONTENTS REVEALED, EITHER ORAL OR WRITTEN, IN ANY MANNER, WITHOUT THE EXPRESS AND EXCLUSIVE WRITTEN CONSENT OF AZTEC TENTS, INC. FOR THE PURPOSE FOR WHICH IT WAS DELIVERED.

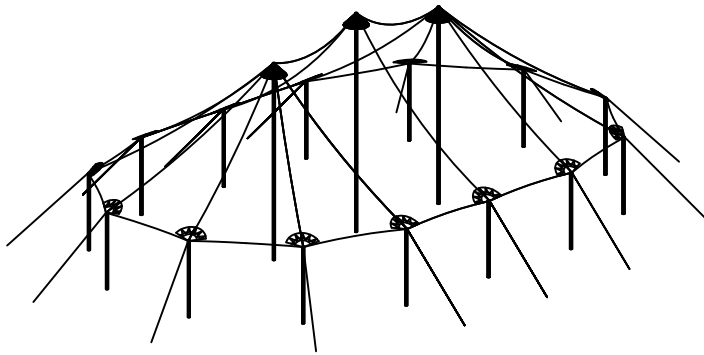
AZTEC TENTS
DESIGN & PRODUCTION
 2665 COLUMBIA ST. TORRANCE, CA. 90503
 (800) 228-3687 - FAX (310) 381-0722

TIDEWATER FRAME
 TIDEWATER SAILCLOTH TENT/STANDARD
 32' W X 40' L TIDEWATER SAIL CLOTH TENT
 PART NUMBER: ZXXXXXXX

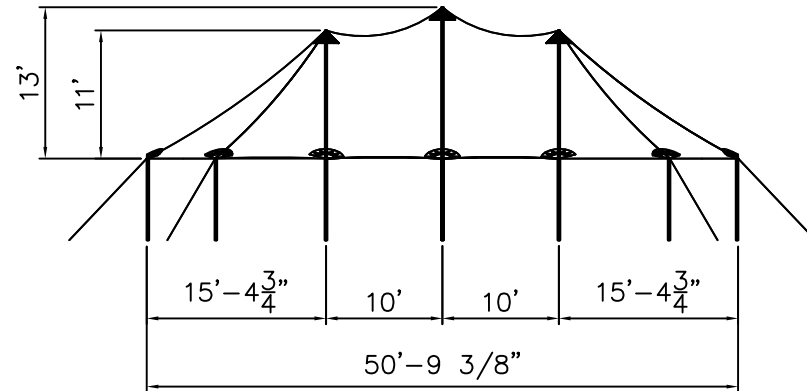
| REVISION HISTORY | | | |
|------------------|--------------|-----|-------|
| REV: | DESCRIPTION: | BY: | DATE: |
| | | | |
| | | | |
| | | | |
| | | | |

CONFIDENTIAL

| | |
|------------------|--------------------|
| ENGINEER: N/A | DATE: 5/12/2016 |
| PAGES: 1 OF 1 | DRAWN: HUGO.R |

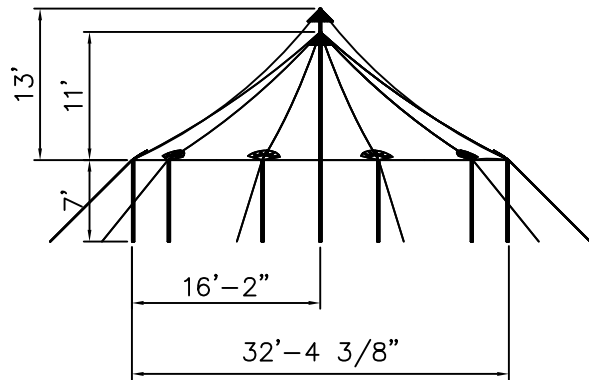


ISOMETRIC VIEW

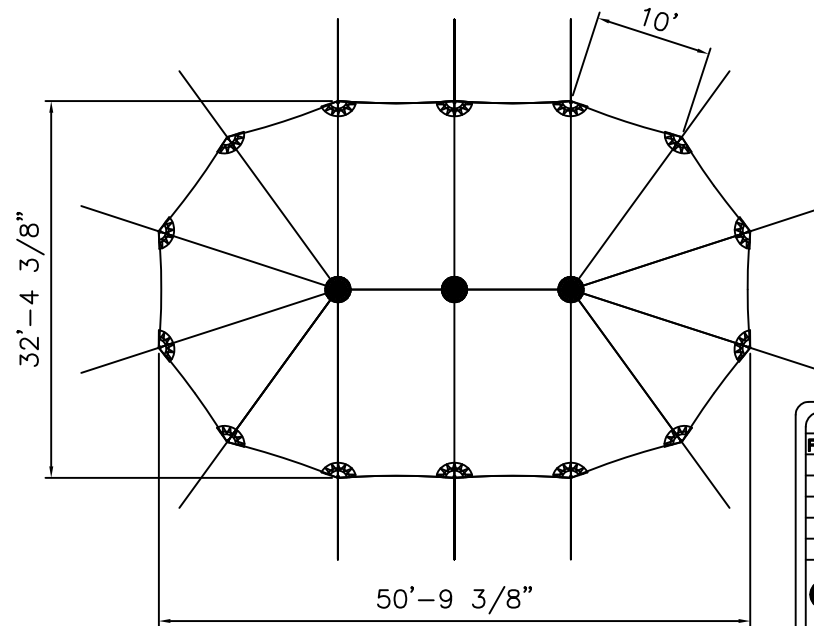


SIDE VIEW

TIDEWATER SAIL CLOTH TENT 32' X 50' 1 pc.



END VIEW



PLAN VIEW

ALL DATA AND INFORMATION CONTAINED IN OR DISCLOSED BY THIS DOCUMENT IS CONFIDENTIAL AND PROPRIETARY INFORMATION OF AZTEC TENTS AND ALL RIGHTS THEREIN ARE EXPRESSLY RESERVED. BY ACCEPTING THIS MATERIAL THE RECIPIENT AGREES THAT THIS MATERIAL AND INFORMATION CONTAINED THEREIN IS HELD IN CONFIDENCE AND IN TRUST AND WILL NOT BE COPIED, REPRODUCED WHOLE OR IN PART, NOR ITS CONTENTS REVEALED, EITHER ORALLY OR IN WRITING, WITHOUT THE SPECIFIC PURPOSE FOR WHICH IT WAS DELIVERED.

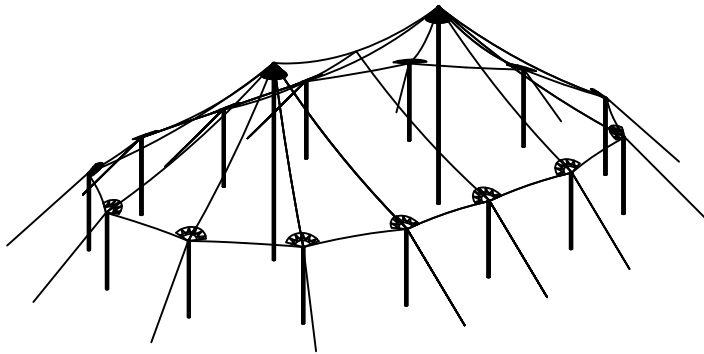
AZTEC TENTS
 DESIGN & PRODUCTION
 2665 COLUMBIA ST. TORRANCE, CA. 90503
 (800) 228-3687 - FAX (310) 381-0722

TIDEWATER POLE TENTS
 TIDEWATER SAILCLOTH TENT/STANDARD
 32' W X 50' L TIDEWATER SAIL CLOTH TENT
 PART NUMBER: ZXXXXXXX

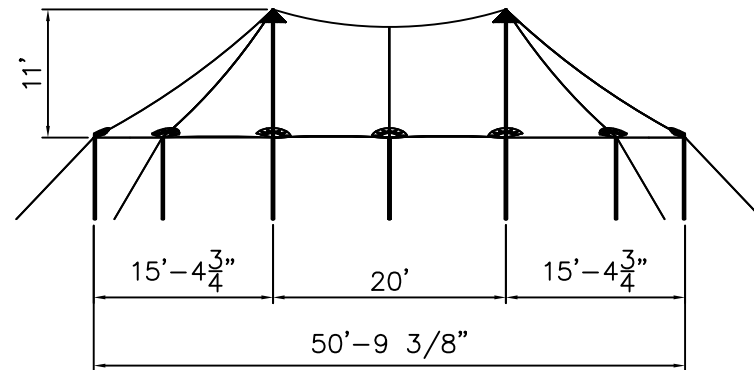
| REVISION HISTORY | | | |
|------------------|-------------|-----|-------|
| REV. | DESCRIPTION | BY: | DATE: |
| N/A | N/A | N/A | N/A |
| N/A | N/A | N/A | N/A |
| N/A | N/A | N/A | N/A |
| N/A | N/A | N/A | N/A |
| N/A | N/A | N/A | N/A |

CONFIDENTIAL

ENGINEER: N/A DATE: 4/27/2016
 PAGES: 1 OF 1 DRAWN: HUGO.R

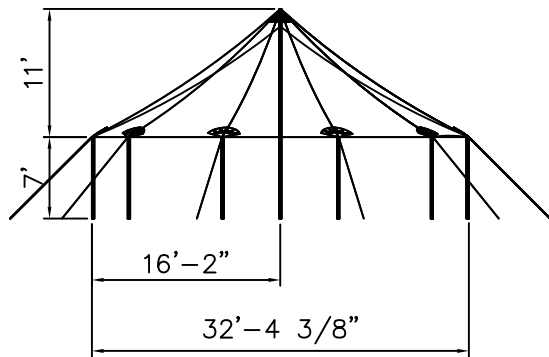


ISOMETRIC VIEW

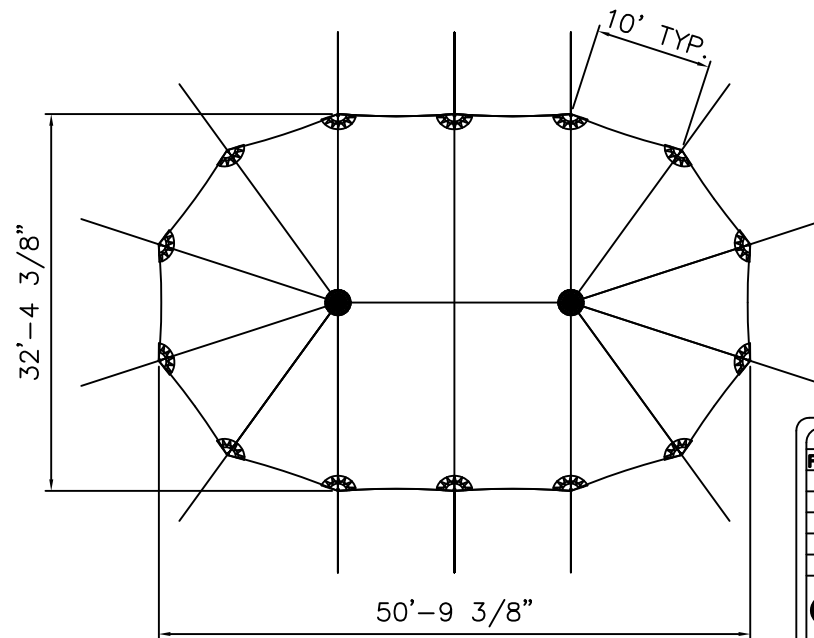


SIDE VIEW

TIDEWATER SAIL CLOTH TENT 32' X 50' 1pc.



END VIEW



PLAN VIEW

ALL DATA AND INFORMATION CONTAINED IN OR DISCLOSED BY THIS DOCUMENT IS CONFIDENTIAL AND PROPRIETARY INFORMATION OF AZTEC TENTS AND ALL RIGHTS THEREIN ARE EXPRESSLY RESERVED. BY ACCEPTING THIS MATERIAL THE RECIPIENT AGREES THAT THIS MATERIAL AND INFORMATION CONTAINED THEREIN IS HELD IN CONFIDENCE AND IN TRUST, AND WILL NOT BE COPIED, REPRODUCED WHOLE OR IN PART, NOR ITS CONTENTS REVEALED IN ANY MANNER TO OTHERS, EXCEPT TO MEET THE SPECIFIC PURPOSE FOR WHICH IT WAS DELIVERED.

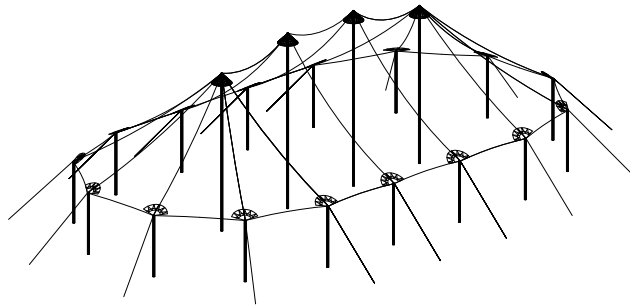
AZTEC TENTS
 DESIGN & PRODUCTION
 2665 COLUMBIA ST. TORRANCE, CA. 90503
 (800) 228-3687 - FAX (310) 361-0722

TIDEWATER POLE TENT
 TIDEWATER SAILCLOTH TENT/STANDARD
 32 W X 50 L TIDEWATER SAIL CLOTH TENT
 PART NUMBER: ZXXXXXXX

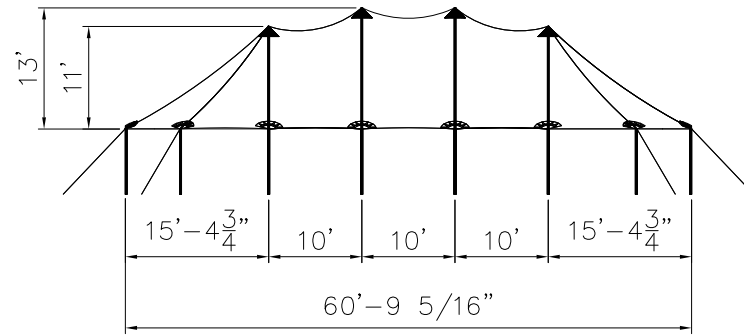
| REVISION HISTORY | | | |
|------------------|-------------|-----|-------|
| REV. | DESCRIPTION | BY: | DATE: |
| N/A | N/A | N/A | N/A |
| N/A | N/A | N/A | N/A |
| N/A | N/A | N/A | N/A |
| N/A | N/A | N/A | N/A |
| N/A | N/A | N/A | N/A |

CONFIDENTIAL

ENGINEER: N/A DATE: 4/27/2016
 PAGES: 1 OF 1 DRAWN: HUGO.R

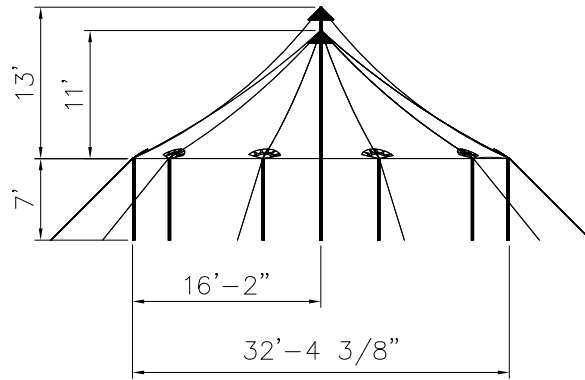


ISOMETRIC VIEW

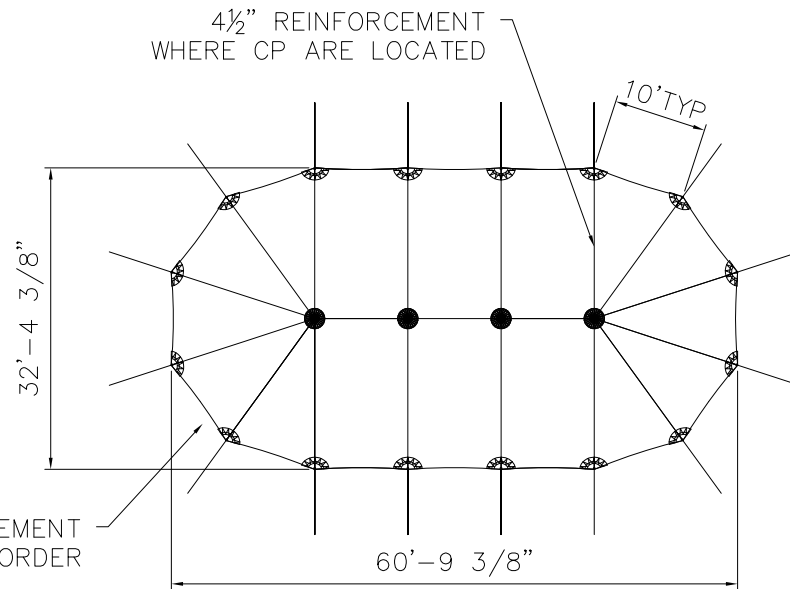


SIDE VIEW

TIDEWATER POLE TENT 32' X 60' 1pc.



END VIEW



PLAN VIEW

ALL DATA AND INFORMATION CONTAINED IN OR DISCLOSED BY THIS DOCUMENT IS CONFIDENTIAL AND PROPRIETARY INFORMATION OF AZTEC TENTS AND ALL RIGHTS THEREIN ARE EXPRESSLY RESERVED. BY ACCEPTING THIS MATERIAL THE RECIPIENT AGREES THAT THIS MATERIAL AND INFORMATION CONTAINED THEREIN IS HELD IN CONFIDENCE AND IN TRUST AND WILL NOT BE COPIED, REPRODUCED WHOLE OR IN PART, NOR ITS CONTENTS REVEALED, EITHER ORAL OR WRITTEN, IN ANY MANNER, WITHOUT THE SPECIFIC PURPOSE FOR WHICH IT WAS DELIVERED.

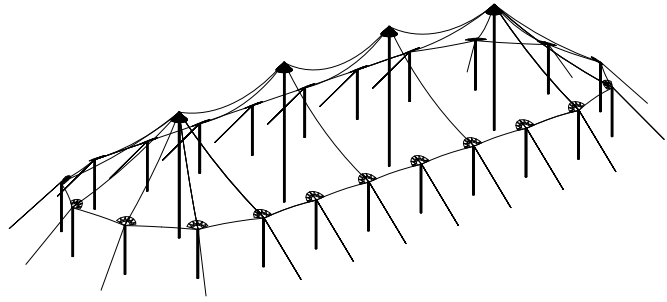
AZTEC TENTS
DESIGN & PRODUCTION
 2665 COLUMBIA ST. TORRANCE, CA. 90503
 (800) 228-3687 - FAX (310) 381-0722

TIDEWATER POLE TENT
 TIDEWATER SAILCLOTH TENT/STANDARD
 32' W X 60' L TIDEWATER SAIL CLOTH TENT
 PART NUMBER: ZXXXXXXX

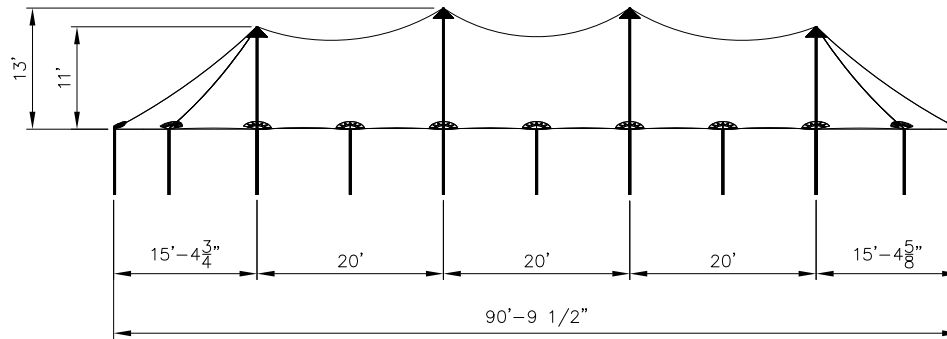
| REVISION HISTORY | | | |
|------------------|-------------|-----|-------|
| REV. | DESCRIPTION | BY: | DATE: |
| N/A | N/A | N/A | N/A |
| N/A | N/A | N/A | N/A |
| N/A | N/A | N/A | N/A |
| N/A | N/A | N/A | N/A |
| N/A | N/A | N/A | N/A |

CONFIDENTIAL

| | |
|------------------|--------------------|
| ENGINEER: N/A | DATE: 4/27/2016 |
| PAGES: 1 OF 1 | DRAWN: HUGO.R |

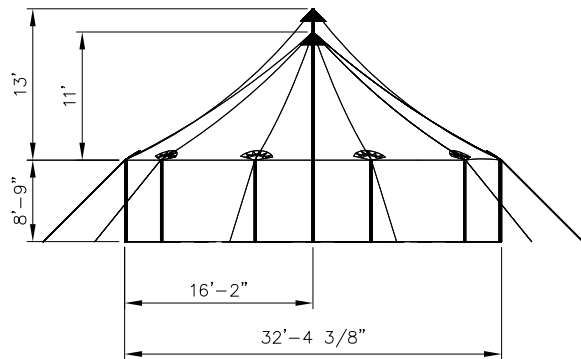


ISOMETRIC VIEW

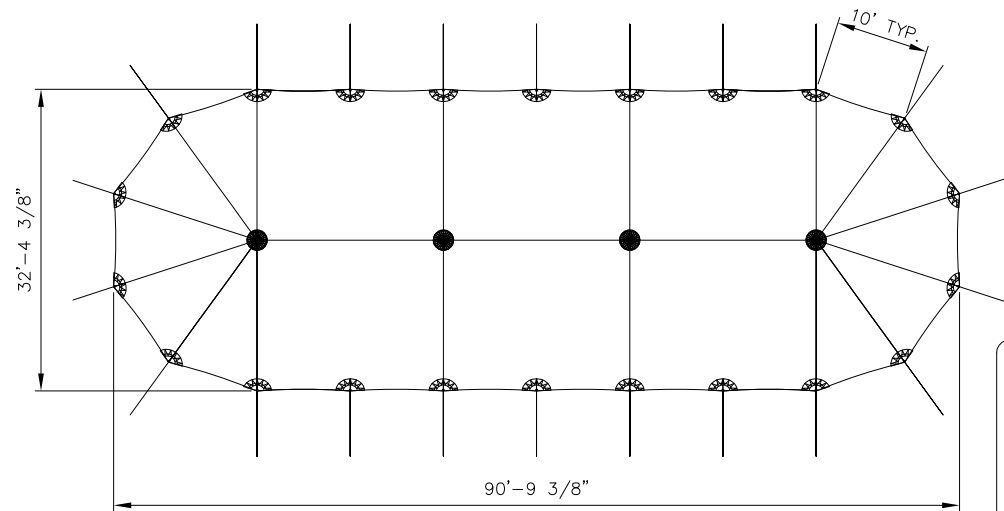


SIDE VIEW

TIDEWATER SAIL CLOTH TENT 32' X 90' 1 pc.



END VIEW



PLAN VIEW

ALL DATA AND INFORMATION CONTAINED IN OR DISCLOSED BY THIS DOCUMENT IS CONFIDENTIAL AND PROPRIETARY INFORMATION OF AZTEC TENTS AND ALL RIGHTS THEREIN ARE EXPRESSLY RESERVED. BY ACCEPTING THIS MATERIAL THE RECIPIENT AGREES THAT THIS MATERIAL AND INFORMATION CONTAINED THEREIN IS HELD IN CONFIDENCE AND IN TRUST AND WILL NOT BE COPIED, REPRODUCED WHOLE OR IN PART, NOR ITS CONTENTS REVEALED IN ANY MANNER, WITHOUT THE WRITTEN CONSENT OF AZTEC TENTS, INC. FOR ANY OTHER PURPOSE FOR WHICH IT WAS DELIVERED.

AZTEC TENTS
DESIGN & PRODUCTION
 2665 COLUMBIA ST. TORRANCE, CA. 90503
 (800) 228-3687 - FAX (310) 381-0722

TIDEWATER POLE TENT
 TIDEWATER SAILCLOTH TENT/4 CENTER POLES
 32 W X 90L TIDEWATER SAIL CLOTH TENT
 PART NUMBER: ZXXXXXXX

| REVISION HISTORY | | | |
|------------------|--------------|-----|-------|
| REV. | DESCRIPTION: | BY: | DATE: |
| | | | |
| | | | |
| | | | |

CONFIDENTIAL

| | |
|------------------|--------------------|
| ENGINEER: N/A | DATE: 4/27/2016 |
| PAGE: 1 OF 1 | DRAWN: HUGO.R |