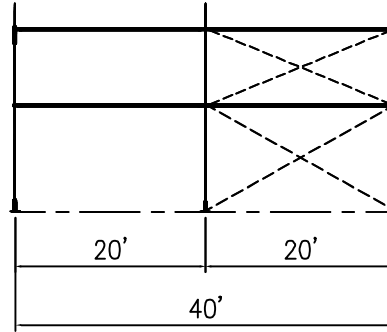
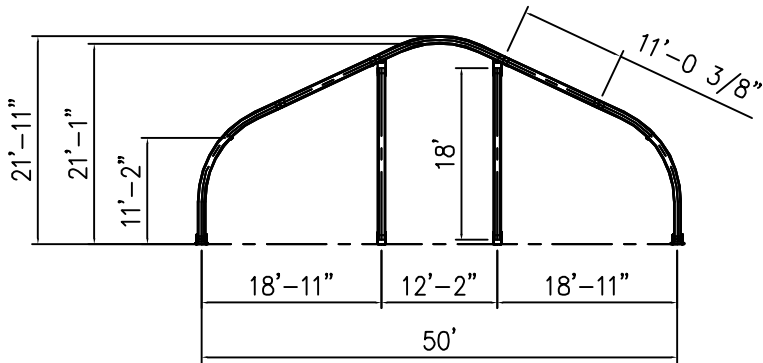
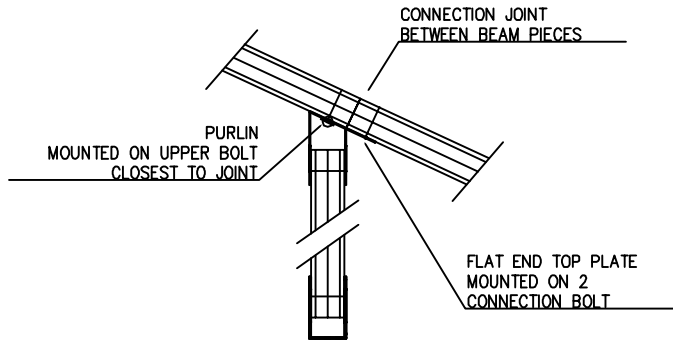


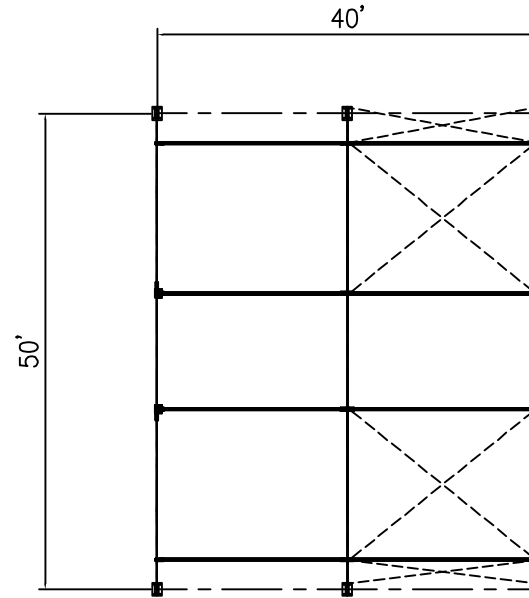
ISOMETRIC ELEVATION



SIDE ELEVATION



FRONT ELEVATION



PLAN ELEVATION



2665 COLUMBIA ST. TORRANCE, CA. 90503
(800) 228-3667 - FAX (310) 381-0722

ENGINEER CM
DRAWN TSN
DATE 04/11/03

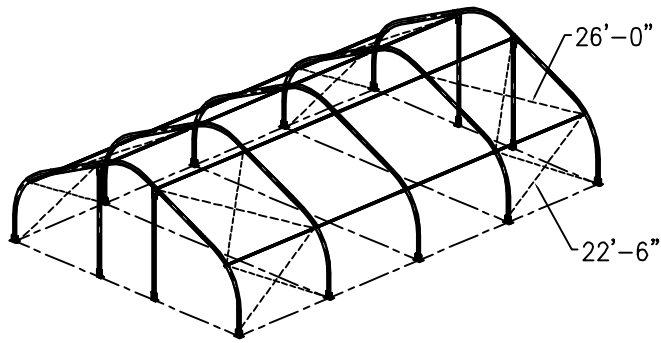
ALL DATA AND INFORMATION CONTAINED IN OR DISCLOSED BY THIS DOCUMENT IS CONFIDENTIAL AND PROPRIETARY INFORMATION OF AZTEC TENTS AND ALL RIGHTS THEREIN ARE RESERVED BY AZTEC TENTS. THE RECIPIENT AGREES THAT THIS MATERIAL AND INFORMATION CONTAINED HEREIN IS HELD IN CONFIDENCE AND IN TRUST AND WILL NOT BE COPIED, REPRODUCED WHOLE OR IN PART, NOR ITS CONTENTS REVEALED IN ANY MANNER TO OTHERS, WITHOUT THE WRITTEN CONSENT OF AZTEC TENTS. THIS AGREEMENT IS MADE TO MEET THE SPECIFIC PURPOSE FOR WHICH IT WAS DELIVERED.

MID\BUILDING\50\MID50x40x20 021208 1215

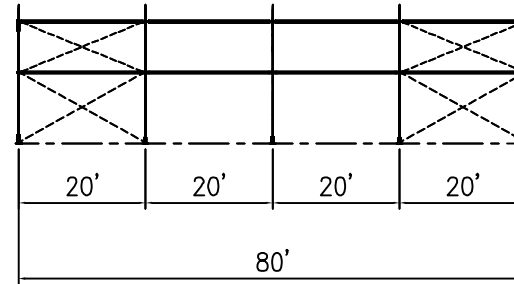
STANDARD

CENTER CLEAR STRUCTURE / STANDARD
50' W x 40' L x 20' BAYS

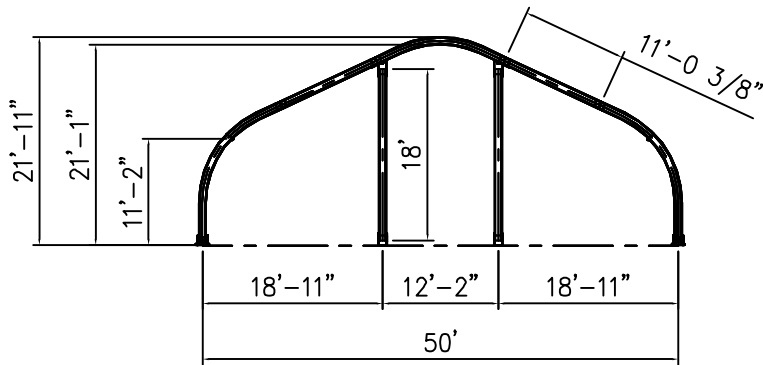
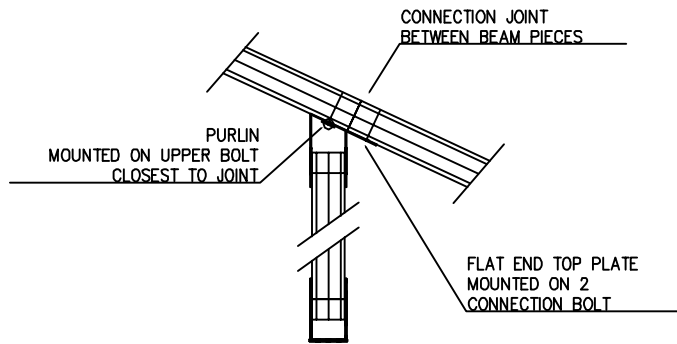
PART DESCRIPTION	CODE	SIZE	DRAWING NUMBER	REV
			AZ5040MID	2



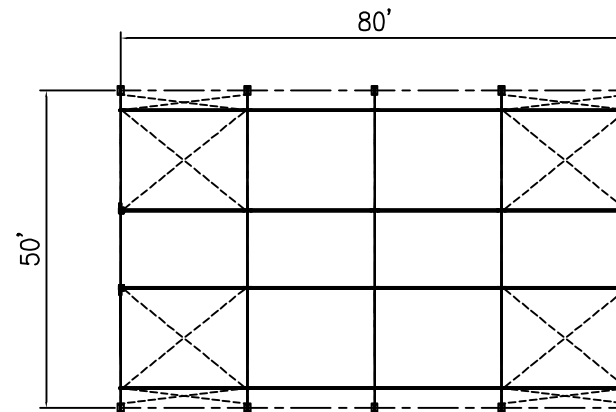
ISOMETRIC ELEVATION



SIDE ELEVATION



FRONT ELEVATION



PLAN ELEVATION

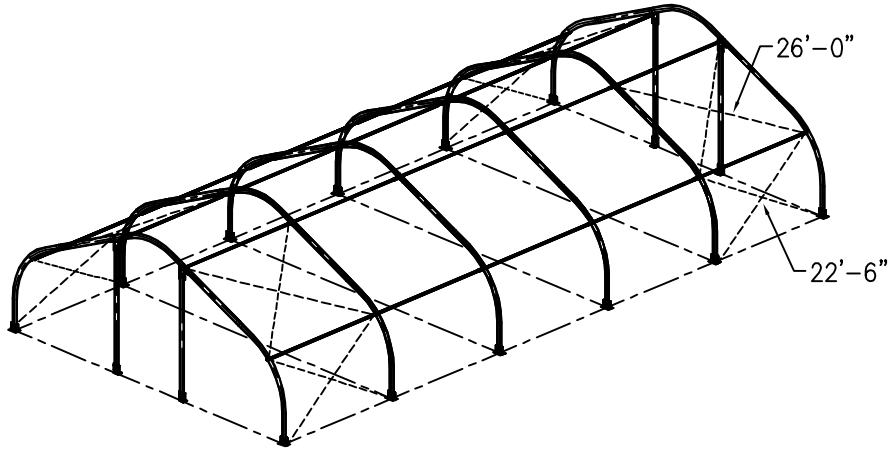


2685 COLUMBIA ST. TORRANCE, CA. 90503
(800) 228-3687 - FAX (310) 381-0722

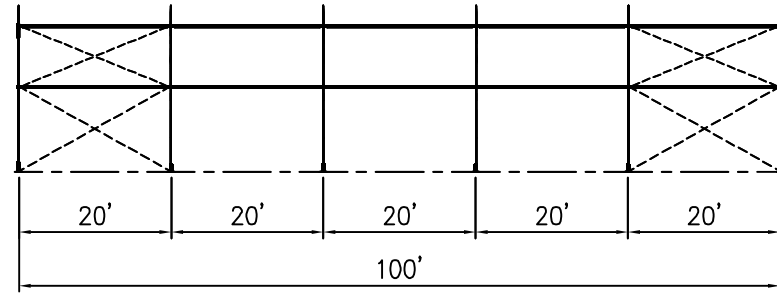
MID BEAM STRUCTURE	
CENTER CLEAR STRUCTURE / STANDARD	
50' W x 80' L x 20' BAYS	
PART DESCRIPTION	SIZE
CODE	DRAWING NUMBER
---	AZ-50x80x20- MID BEAM
REV	0

ENGINEER	CM	DATE	02/14/08
CHECKED			
MID \ BUILDING \ 50 \ MID50x80x20		021408	1650

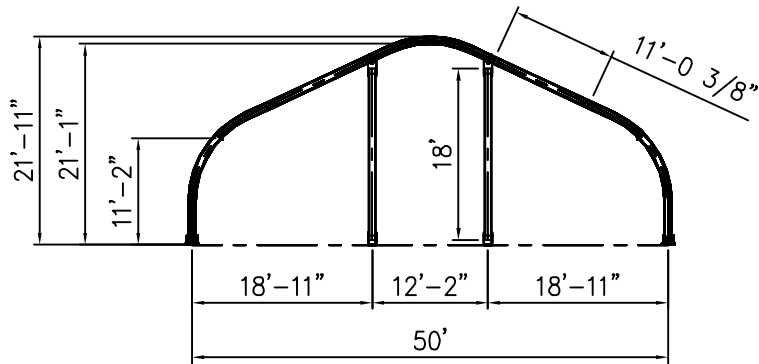
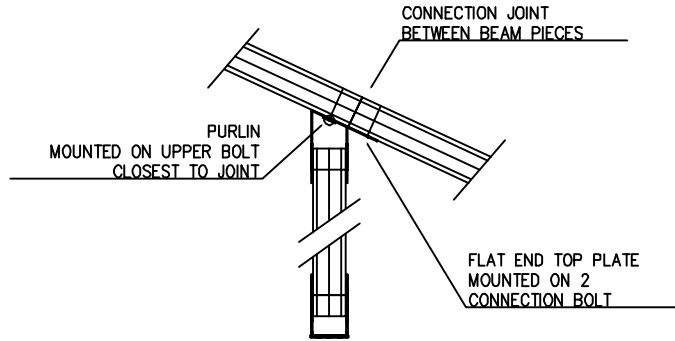
ALL DATA AND INFORMATION CONTAINED IN OR DISCLOSED BY THIS DOCUMENT IS CONFIDENTIAL AND PROPRIETARY INFORMATION OF AZTEC TENTS AND ALL RIGHTS THEREIN ARE RESERVED. NO PART OF THIS DOCUMENT OR INFORMATION CONTAINED HEREIN IS TO BE REPRODUCED OR TRANSMITTED IN ANY FORM OR BY ANY MEANS, ELECTRONIC OR MECHANICAL, INCLUDING PHOTOCOPYING, RECORDING, OR BY ANY INFORMATION STORAGE AND RETRIEVAL SYSTEM, WITHOUT THE WRITTEN PERMISSION OF AZTEC TENTS. THE RECIPENT AGREES TO HOLD THIS INFORMATION IN CONFIDENCE AND IN TRUST AND WILL NOT BE COPIED, REPRODUCED WHOLE OR IN PART, NOR ITS CONTENTS REVEALED IN ANY MANNER TO OTHERS, WITHOUT THE WRITTEN PERMISSION OF AZTEC TENTS. THE RECIPENT ACCEPTS TO MEET THE SPECIFIC PURPOSE FOR WHICH IT WAS DELIVERED.



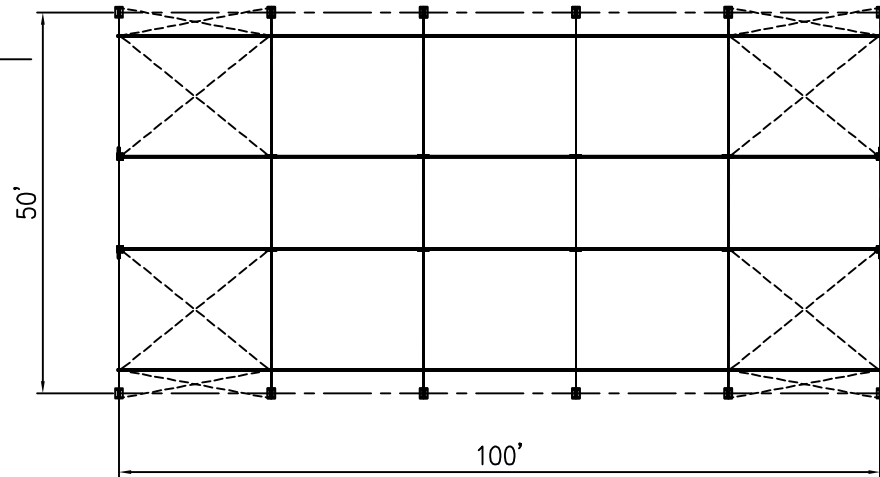
ISOMETRIC ELEVATION



SIDE ELEVATION



FRONT ELEVATION



PLAN ELEVATION



2685 COLUMBIA ST. TORRANCE, CA. 90503
(800) 228-3687 - FAX (310) 361-0722

STANDARD

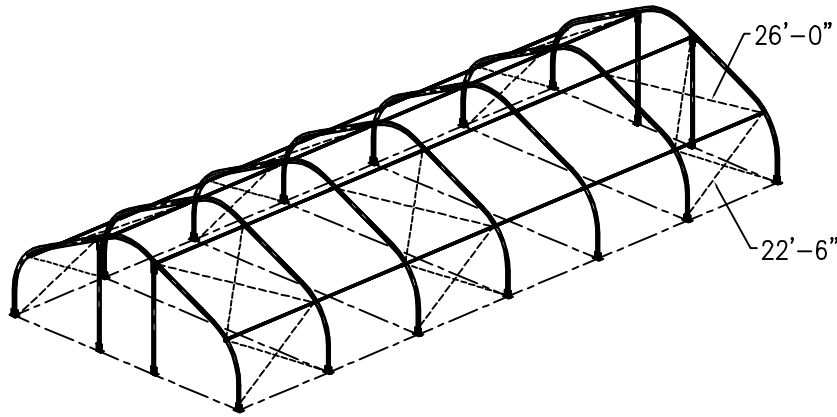
CENTER CLEAR STRUCTURE / STANDARD
50' W x 100' L x 20' BAYS

ENGINEER	CM	DRAWN	TTR	DATE	01/28/08
CHECKED	-				

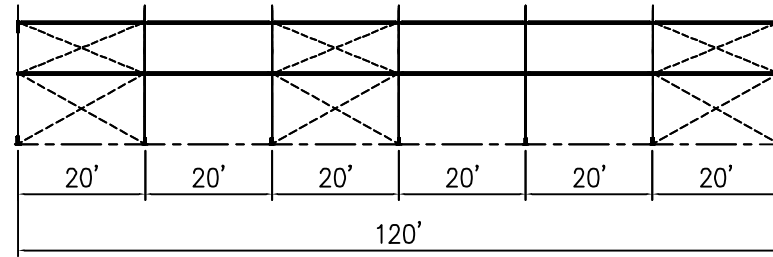
PART DESCRIPTION	CODE	SIZE	DRAWING NUMBER	REV
AZ - 50x100 MID BEAM STRUCTURE				2

ALL DATA AND INFORMATION CONTAINED IN OR DISCLOSED BY THIS DOCUMENT IS CONFIDENTIAL AND PROPRIETARY INFORMATION OF AZTEC TENTS AND ALL RIGHTS THEREIN ARE RESERVED. NO PART OF THIS DOCUMENT OR INFORMATION CONTAINED HEREIN IS TO BE REPRODUCED OR TRANSMITTED IN ANY FORM OR BY ANY MEANS, ELECTRONIC OR MECHANICAL, INCLUDING PHOTOCOPYING, RECORDING, OR BY ANY INFORMATION STORAGE AND RETRIEVAL SYSTEM. THE RECIPIENT AGREES TO HOLD THIS INFORMATION AND INFORMATION CONTAINED THEREIN IN CONFIDENCE AND IN TRUST AND WILL NOT BE COPIED, REPRODUCED WHOLE OR IN PART, NOR ITS CONTENTS REVEALED IN ANY MANNER TO OTHERS, WITHOUT THE WRITTEN CONSENT OF AZTEC TENTS. THIS AGREEMENT IS ACCEPTED TO MEET THE SPECIFIC PURPOSE FOR WHICH IT WAS DELIVERED.

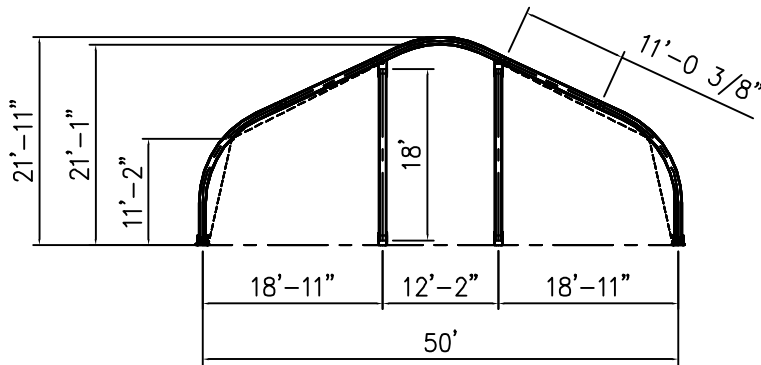
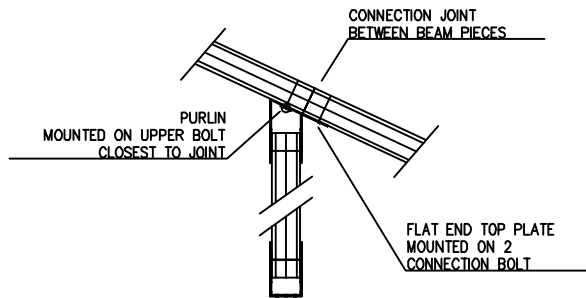
MID\BUILDING\50\MID50x100x20	072710	1240
------------------------------	--------	------



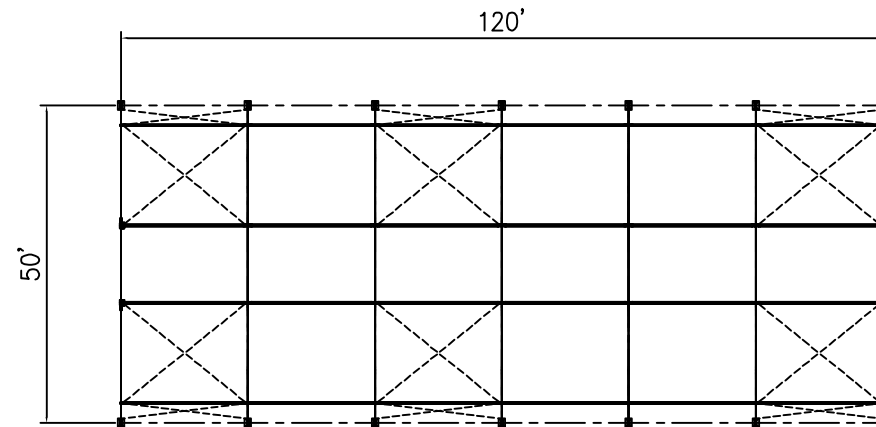
ISOMETRIC ELEVATION



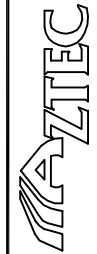
SIDE ELEVATION



FRONT ELEVATION



PLAN ELEVATION



2685 COLUMBIA ST. TORRANCE, CA. 90503
(800) 228-3687 - FAX (310) 361-0722

STANDARD

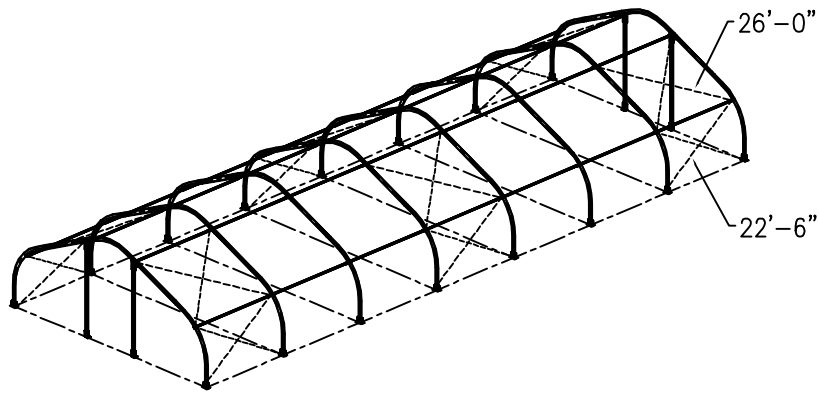
MID BEAM STRUCTURE / STANDARD
50' W x 120' L x 20' BAYS

REV		DRAWING NUMBER	AZ50120-MID BEAM
CODE	SIZE		
PART DESCRIPTION			

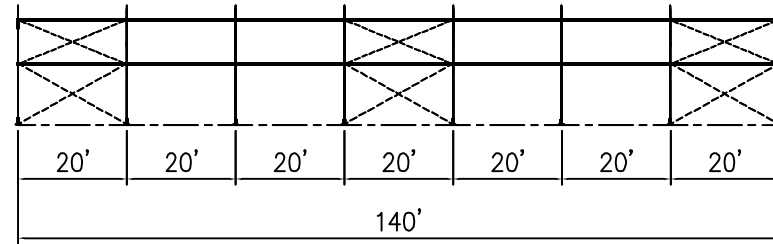
ENGINEER	CM	DRAWN	KT	DATE	08/17/05
CHECKED	-				

ALL DATA AND INFORMATION CONTAINED IN OR DISCLOSED BY THIS DOCUMENT IS CONFIDENTIAL AND PROPRIETARY INFORMATION OF AZTEC TENTS AND ALL RIGHTS THEREIN ARE RESERVED. THE USER OF THIS DOCUMENT AGREES TO HOLD THE INFORMATION CONTAINED HEREIN IN CONFIDENCE AND IN TRUST AND WILL NOT BE COPIED, REPRODUCED WHOLE OR IN PART, NOR ITS CONTENTS REVEALED IN ANY MANNER TO OTHERS, WITHOUT THE WRITTEN CONSENT OF AZTEC TENTS, EXCEPT TO MEET THE SPECIFIC PURPOSE FOR WHICH IT WAS DELIVERED.

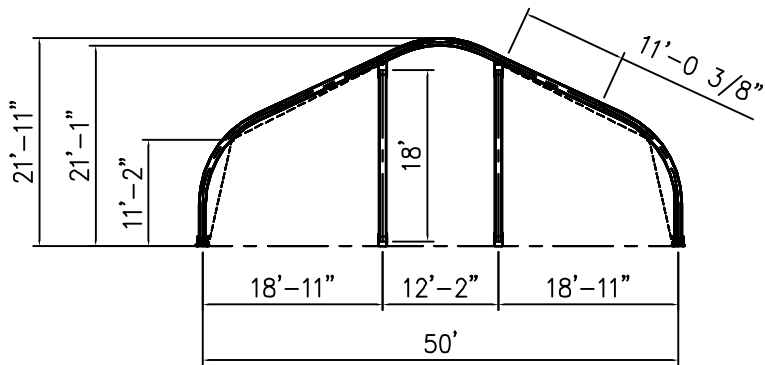
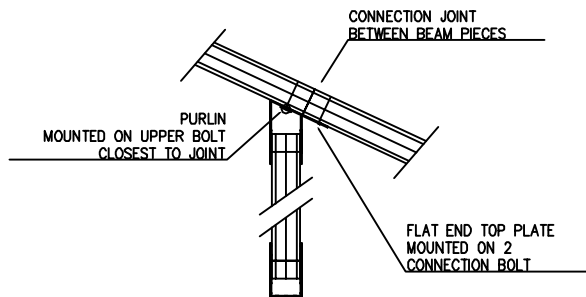
MID\BUILDING\50\MID50x120x20 021408 1630



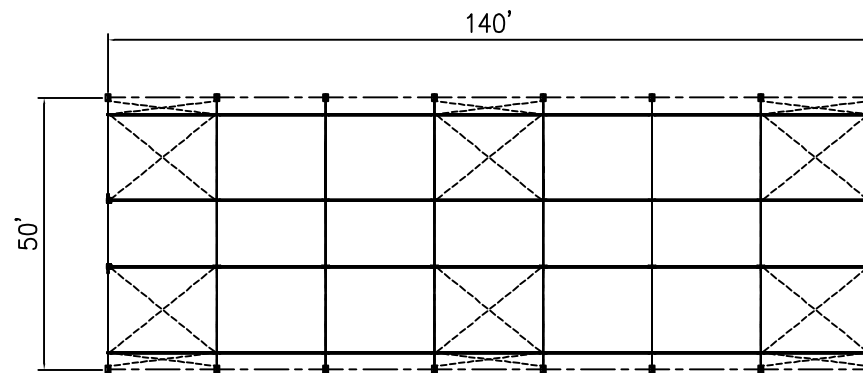
ISOMETRIC ELEVATION



SIDE ELEVATION



FRONT ELEVATION



PLAN ELEVATION

STANDARD		MID BEAM STRUCTURE / STANDARD		DRAWING NUMBER	
		50' W x 140' L x 20' BAYS		AZ50140-MID BEAM 0	
AZTEC		ENGINEER CM		DRAWN KT	
2685 COLUMBIA ST. TORRANCE, CA. 90503 (800) 228-3687 - FAX (310) 361-0722		DATE 02/14/08		CHECKED -	
ALL DATA AND INFORMATION CONTAINED IN OR DISCLOSED BY THIS DOCUMENT IS CONFIDENTIAL AND PROPRIETARY INFORMATION OF AZTEC TENTS AND ALL RIGHTS THEREIN ARE RESERVED. NO PART OF THIS DOCUMENT OR INFORMATION CONTAINED HEREIN IS TO BE REPRODUCED OR TRANSMITTED IN ANY FORM OR BY ANY MEANS, ELECTRONIC OR MECHANICAL, INCLUDING PHOTOCOPYING, RECORDING, OR BY ANY INFORMATION STORAGE AND RETRIEVAL SYSTEM, WITHOUT THE WRITTEN PERMISSION OF AZTEC TENTS AND PROPRIETARY INFORMATION. THE RECIPIENT AGREES TO HOLD THIS INFORMATION IN CONFIDENCE AND TO NOT BE COPIED, REPRODUCED WHOLE OR IN PART, NOR ITS CONTENTS REVEALED IN ANY MANNER TO OTHERS, WITHOUT THE WRITTEN PERMISSION OF AZTEC TENTS AND PROPRIETARY INFORMATION. THIS AGREEMENT IS ACCEPTED TO MEET THE SPECIFIC PURPOSE FOR WHICH IT WAS DELIVERED.		MID\BUILDING\50\MID50x140x20		021408 1700	