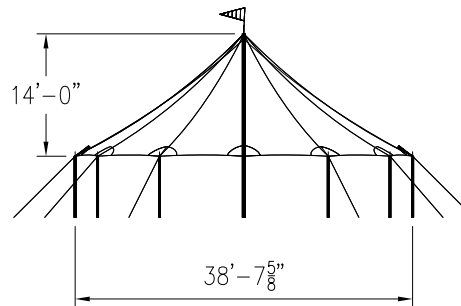
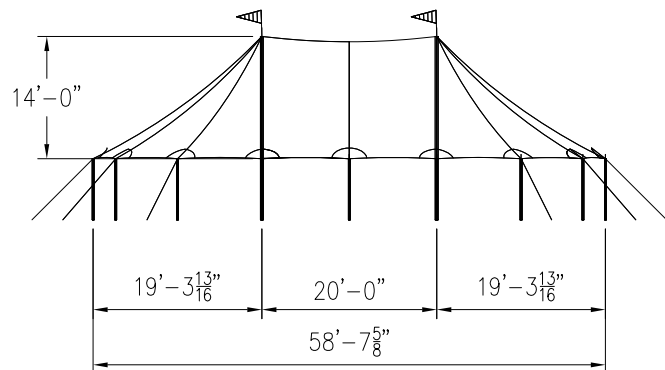


ISOMETRIC VIEW

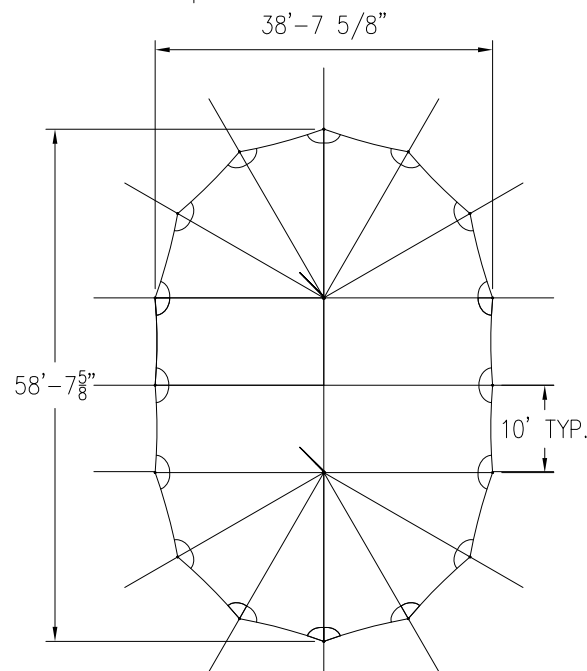


SIDE VIEW

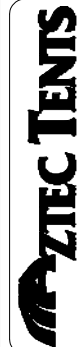
TIDEWATER SAIL CLOTH TENT 59' X 39' 2pc.



FRONT VIEW



PLAN VIEW SCALE: 3/64"=1'



**DESIGN & PRODUCTION**  
 2665 COLUMBIA ST. TORRANCE, CA. 90503  
 (800) 228-3687 - FAX (310) 381-0722

TIDEWATER FRAME

TIDEWATER SAILCLOTH TENT/STANDARD  
 58'W X 39'L TIDEWATER SAIL CLOTH TENT

PART NUMBER: ZXXXXXXX

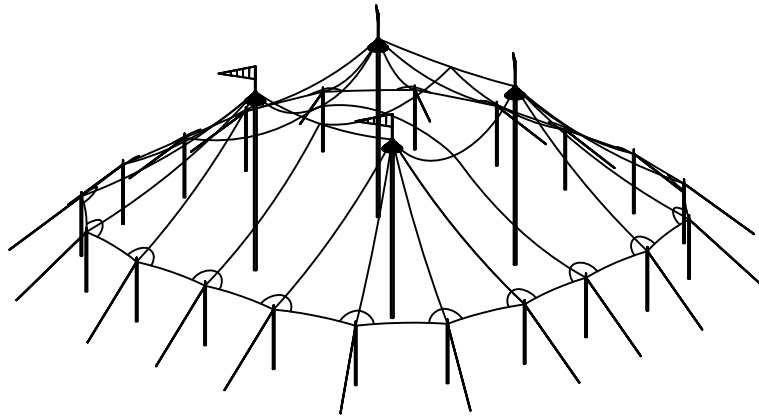
REVISION HISTORY

REV.	DESCRIPTION	BY:	DATE:
N/A	N/A	N/A	N/A
N/A	N/A	N/A	N/A
N/A	N/A	N/A	N/A
N/A	N/A	N/A	N/A
N/A	N/A	N/A	N/A

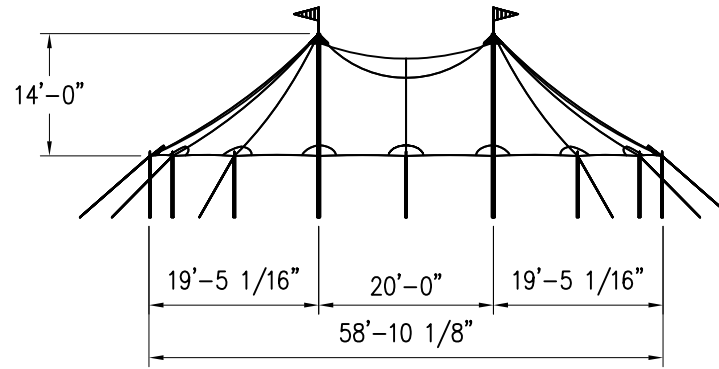
CONFIDENTIAL

ENGINEER:	N/A	DATE:	5/20/2016
PAGE:	1 OF 1	DRAWN:	HUGO.R

ALL DATA AND INFORMATION CONTAINED IN OR DISCLOSED BY THIS DOCUMENT IS CONFIDENTIAL AND PROPRIETARY INFORMATION OF AZTEC TENTS AND ALL RIGHTS THEREIN ARE EXPRESSLY RESERVED. BY ACCEPTING THIS MATERIAL THE RECIPIENT AGREES THAT THIS MATERIAL AND INFORMATION CONTAINED THEREIN IS HELD IN CONFIDENCE AND IN TRUST AND WILL NOT BE COPIED, REPRODUCED WHOLE OR IN PART, NOR ITS CONTENTS REVEALED IN ANY MANNER TO OTHERS, EXCEPT TO MEET THE SPECIFIC PURPOSE FOR WHICH IT WAS DELIVERED.

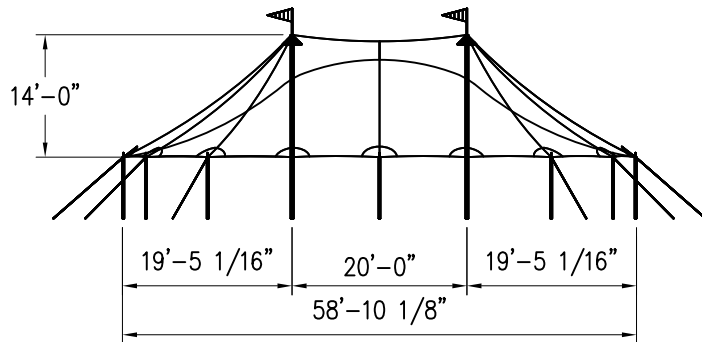


ISOMETRIC VIEW

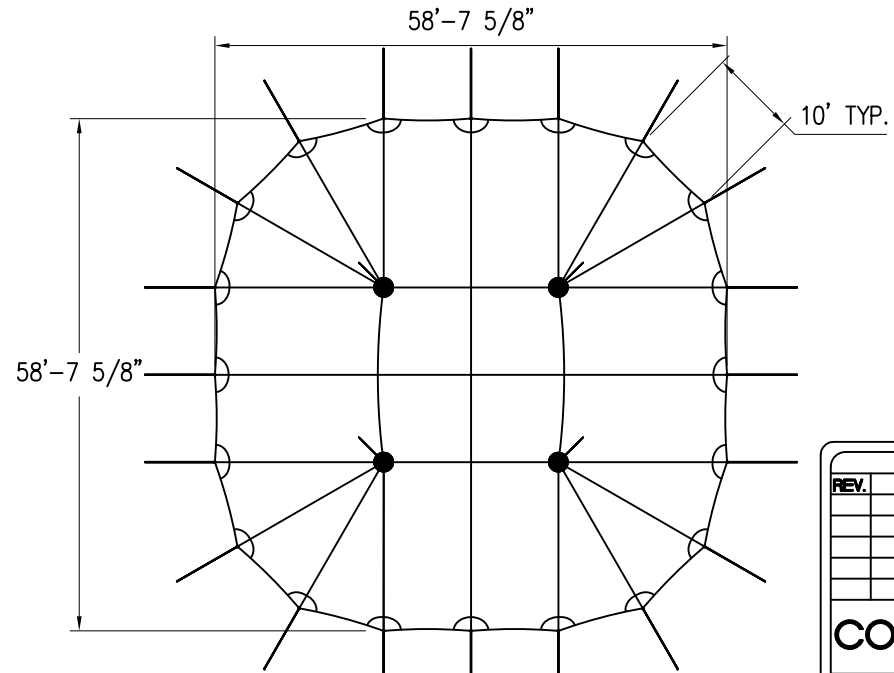


SIDE VIEW

TIDEWATER SAIL CLOTH TENT 59' X 59' 1pc.



FRONT VIEW



PLAN VIEW

ALL DATA AND INFORMATION CONTAINED IN OR DISCLOSED BY THIS DOCUMENT IS CONFIDENTIAL AND PROPRIETARY INFORMATION OF AZTEC TENTS AND ALL RIGHTS THEREIN ARE EXPRESSLY RESERVED. BY ACCEPTING THIS MATERIAL THE RECIPIENT AGREES THAT THIS MATERIAL AND INFORMATION CONTAINED THEREIN IS HELD IN CONFIDENCE AND IN TRUST AND WILL NOT BE COPIED, REPRODUCED WHOLE OR IN PART, NOR ITS CONTENTS REVEALED IN ANY MANNER TO OTHERS, EXCEPT TO MEET THE SPECIFIC PURPOSE FOR WHICH IT WAS DELIVERED.

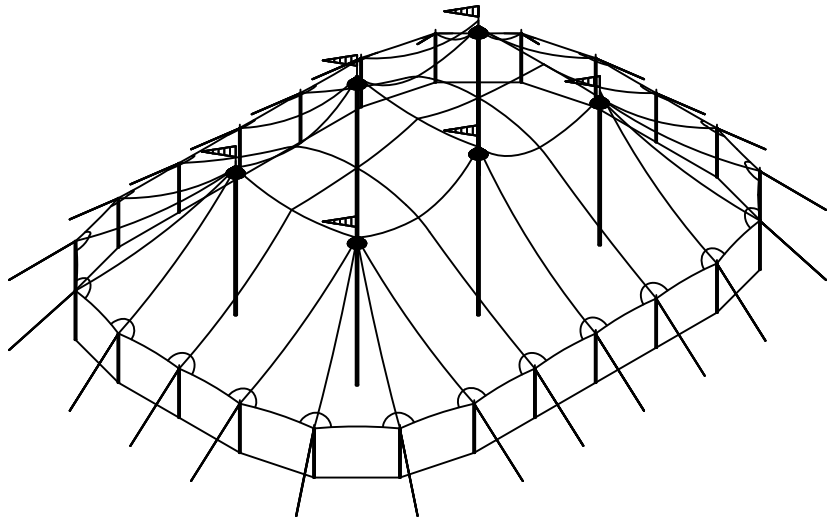
**AZTEC TENTS**  
 DESIGN & PRODUCTION  
 2665 COLUMBIA ST. TORRANCE, CA. 90503  
 (800) 228-3687 - FAX (310) 381-0722

**TIDEWATER FRAME**  
 TIDEWATER SAILCLOTH TENT/STANDARD  
 59' W X 59' L TIDEWATER SAIL CLOTH TENT  
 PART NUMBER: ZXXXXXXX

REVISION HISTORY			
REV.	DESCRIPTION	BY:	DATE:

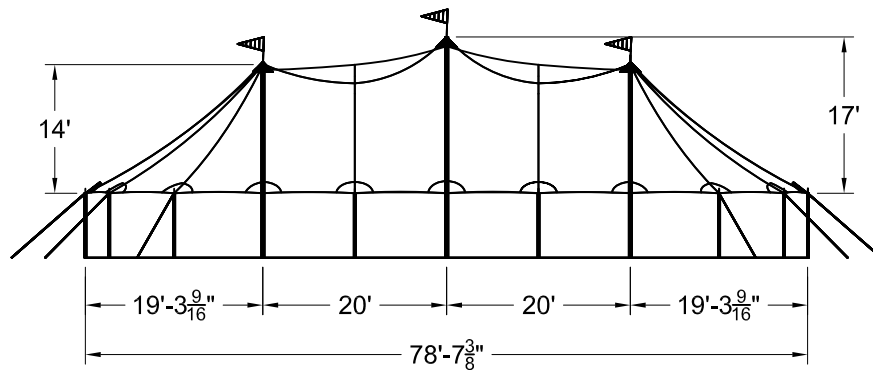
**CONFIDENTIAL**

ENGINEER:	N/A	DATE:	1/16/2012
PAGE:	1 OF 1	DRAWN:	ELVIS



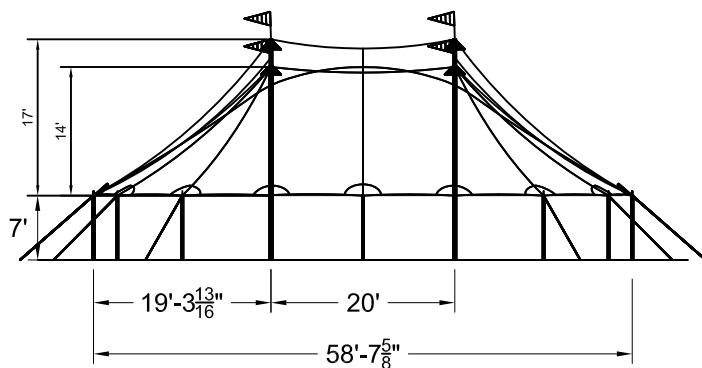
**ISOMETRIC VIEW**

4238 SQUARE FT.

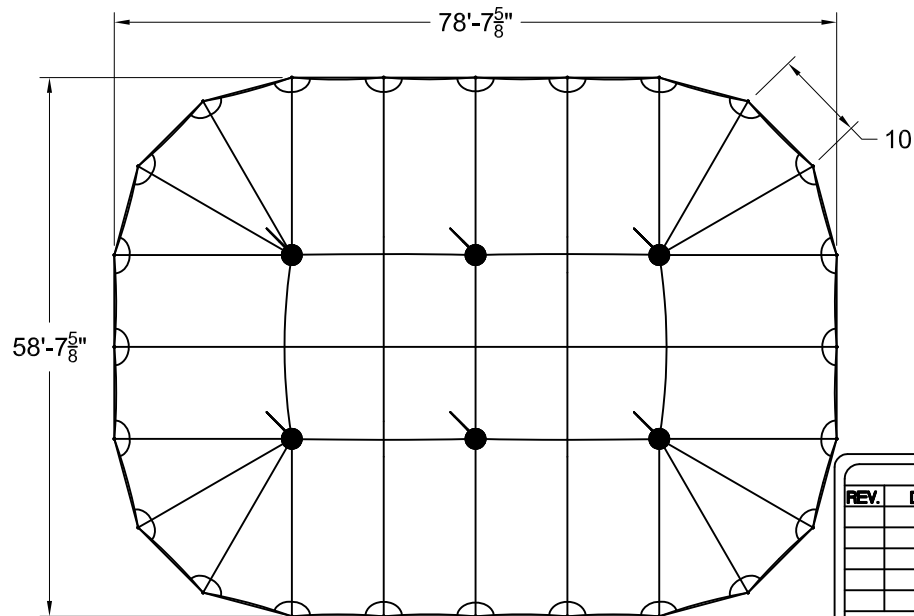


**SIDE VIEW**

**TIDEWATER SAIL CLOTH TENT 58' X 78' 1pc. TWIN POLE**



**END VIEW**



**PLAN VIEW**

SCALE: 3/64"=1'

ALL DATA AND INFORMATION CONTAINED IN OR DISCLOSED BY THIS DOCUMENT IS CONFIDENTIAL AND PROPRIETARY INFORMATION OF AZTEC TENTS AND ALL RIGHTS THEREIN ARE EXPRESSLY RESERVED. BY ACCEPTING THIS MATERIAL THE RECIPIENT AGREES THAT THIS MATERIAL AND INFORMATION CONTAINED THEREIN IS HELD IN CONFIDENCE AND IN TRUST AND WILL NOT BE COPIED, REPRODUCED WHOLE OR IN PART, NOR ITS CONTENTS REVEALED IN ANY MANNER TO OTHERS, EXCEPT TO MEET THE SPECIFIC PURPOSE FOR WHICH IT WAS DELIVERED.

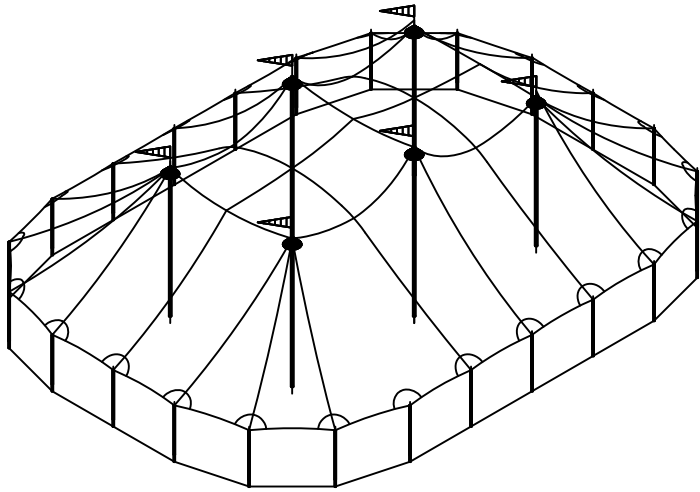
**AZTEC TENTS**  
 DESIGN & PRODUCTION  
 2665 COLUMBIA ST. TORRANCE, CA. 90503  
 (800) 228-3687 - FAX (310) 381-0722

**STANDARD**  
 59' W X 78' L  
 PART NUMBER: ZXXXXXX

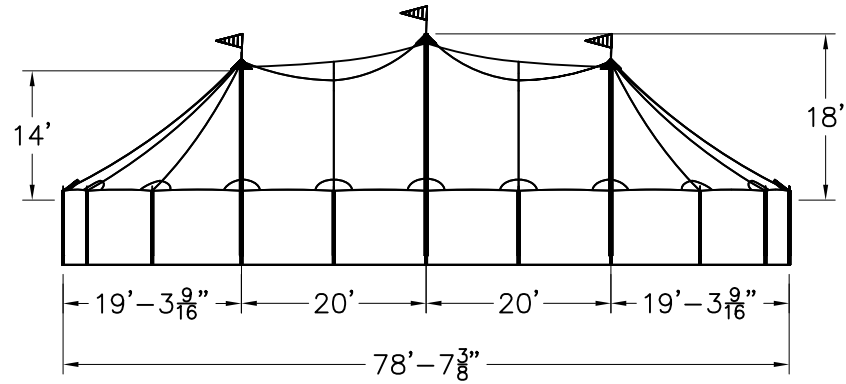
REVISION HISTORY			
REV.	DESCRIPTION	BY:	DATE:

**CONFIDENTIAL**

ENGINEER: N/A	DATE: 3/15/2011
PAGE: 1 OF 1	DRAWN: ELVIS

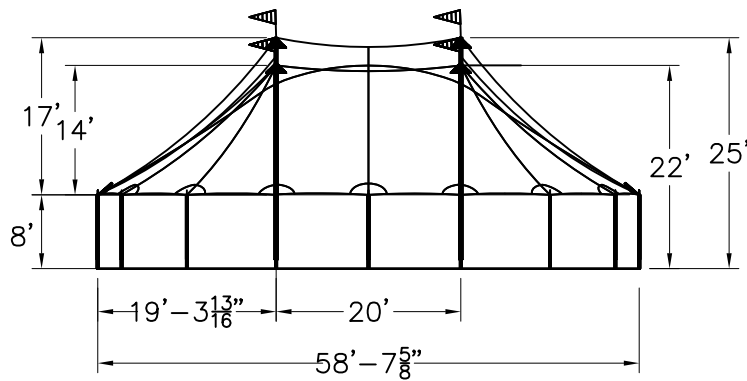


ISOMETRIC VIEW  
4238 SQUARE FT.

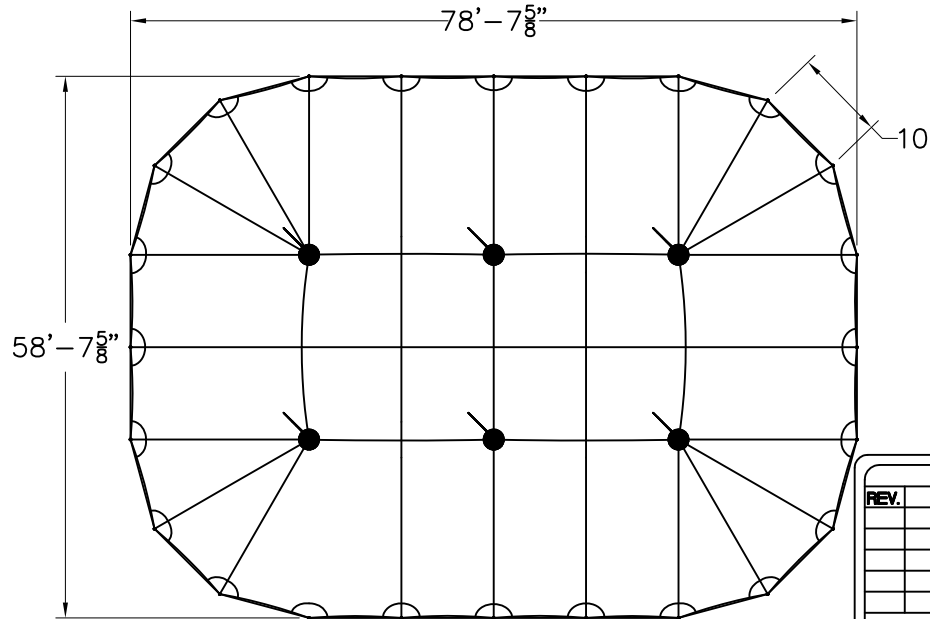


SIDE VIEW

TIDEWATER SAIL CLOTH TENT 59' X 79' 1pc. TWIN POLE



FRONT VIEW



PLAN VIEW

SCALE: 3/64"=1'

ALL DATA AND INFORMATION CONTAINED IN OR DISCLOSED BY THIS DOCUMENT IS CONFIDENTIAL AND PROPRIETARY INFORMATION OF AZTEC TENTS AND ALL RIGHTS THEREIN ARE EXPRESSLY RESERVED. BY ACCEPTING THIS MATERIAL THE RECIPIENT AGREES THAT THIS MATERIAL AND INFORMATION CONTAINED THEREIN IS HELD IN CONFIDENCE AND IN TRUST AND WILL NOT BE COPIED, REPRODUCED WHOLE OR IN PART, NOR ITS CONTENTS REVEALED, IN ANY MANNER TO ANY OTHERS, WITHOUT THE SPECIFIC PURPOSE FOR WHICH IT WAS DELIVERED.

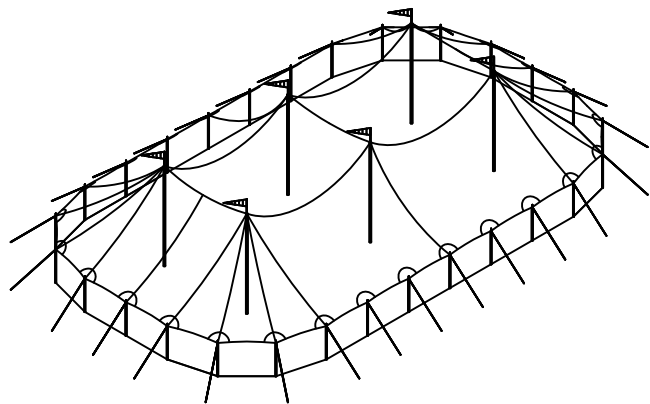
**AZTEC TENTS**  
DESIGN & PRODUCTION  
2665 COLUMBIA ST. TORRANCE, CA. 90503  
(800) 228-3687 - FAX (310) 381-0722

**TIDEWATER POLE TENT**  
58'-7 5/8"W x 78'-7 5/8"L x 8' LEGS  
TIDEWATER SAIL CLOTH TENT  
PART NUMBER:

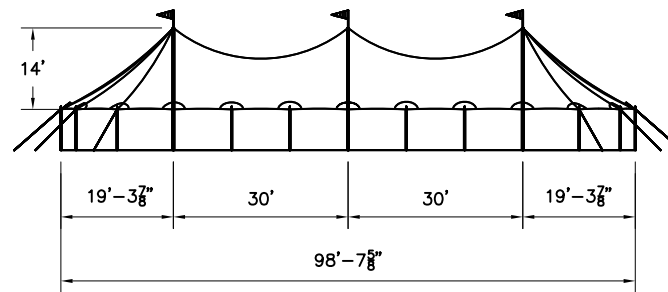
REVISION HISTORY			
REV.	DESCRIPTION	BY:	DATE:

**SALES**

ENGINEER: N/A	DATE: 8/9/2017
PAGE: 1 OF 1	DRAWN: ELVIS

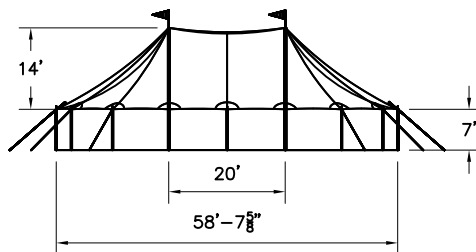


ISOMETRIC VIEW

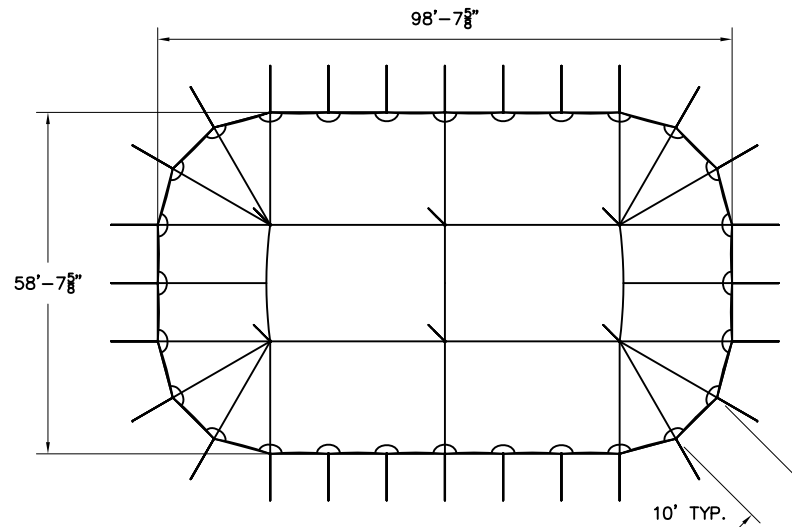


SIDE VIEW

TIDEWATER SAIL CLOTH TENT 58'-7 5/8"W x 98'-7 5/8" WITH 30' QQ MIDS



FRONT VIEW



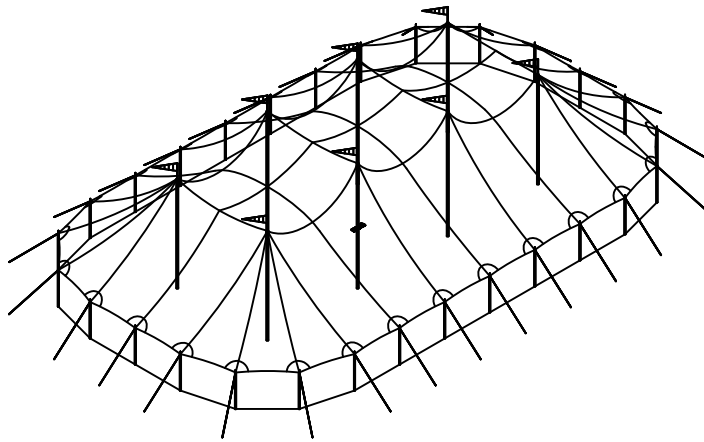
PLAN VIEW

ALL DATA AND INFORMATION CONTAINED IN OR DISCLOSED BY THIS DOCUMENT IS CONFIDENTIAL AND PROPRIETARY INFORMATION OF AZTEC TENTS AND ALL RIGHTS THEREIN ARE EXPRESSLY RESERVED. BY ACCEPTING THIS MATERIAL THE RECIPIENT AGREES THAT THIS MATERIAL AND INFORMATION CONTAINED HEREIN IS HELD IN CONFIDENCE AND TRUST AND WILL NOT BE COPIED, REPRODUCED, OR TRANSMITTED IN ANY MANNER, EITHER IN ANY MANNER TO OTHERS, EXCEPT TO MEET THE SPECIFIC PURPOSE FOR WHICH IT WAS DELIVERED.

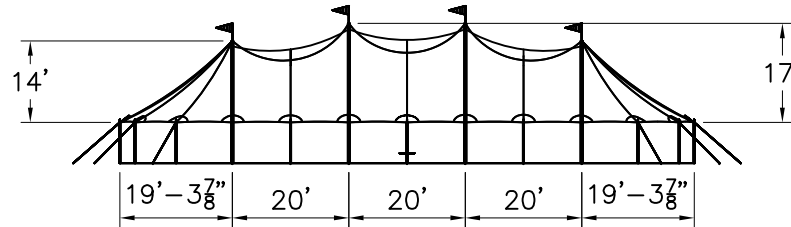
**AZTEC TENTS**  
 DESIGN & PRODUCTION  
 2665 COLUMBIA ST. TORRANCE, CA. 90503  
 (800) 228-3687 - FAX (310) 381-0722

**TIDEWATER POLE TENT**  
 59'W X 99'L-30' MIDS QQ  
 PART NUMBER:

REVISION HISTORY			
REV.	DESCRIPTION	BY:	DATE:
<b>SALES</b>			
ENGINEER:	N/A	DATE:	12/5/2016
PAGE:	1 OF 1	DRAWN:	LYZ

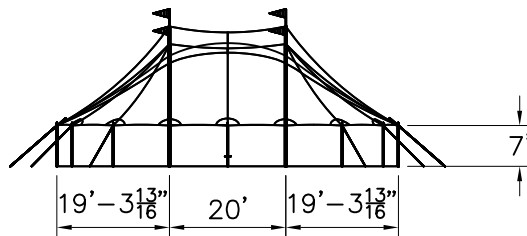


ISOMETRIC VIEW

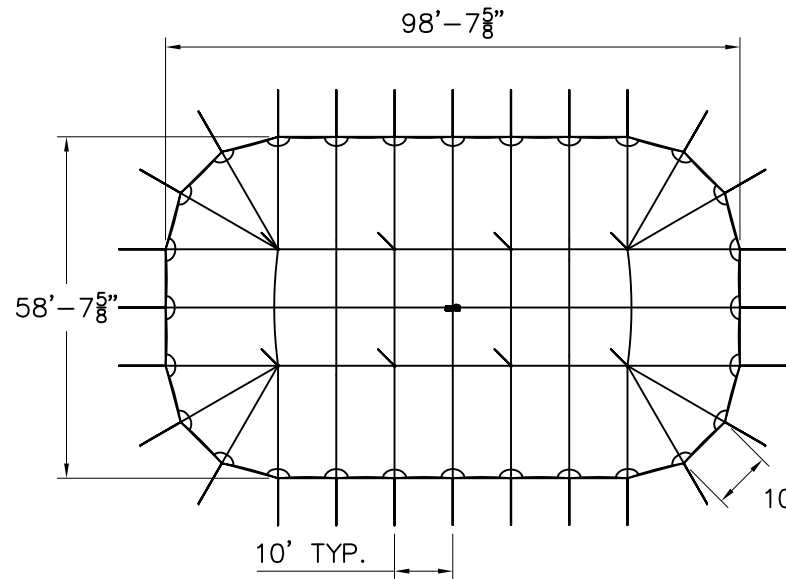


SIDE VIEW

TIDEWATER SAIL CLOTH TENT  
59' x 99' 1pc. TWIN POLE



FRONT VIEW



PLAN VIEW

ALL DATA AND INFORMATION CONTAINED IN OR DISCLOSED BY THIS DOCUMENT IS CONFIDENTIAL AND PROPRIETARY INFORMATION OF AZTEC TENTS AND ALL RIGHTS THEREIN ARE EXPRESSLY RESERVED. BY ACCEPTING THIS MATERIAL THE RECIPIENT AGREES THAT THIS MATERIAL AND INFORMATION CONTAINED HEREIN IS HELD IN CONFIDENCE AND TRUST AND WILL NOT BE COPIED, REPRODUCED, OR TRANSMITTED IN ANY MANNER WITHOUT THE WRITTEN CONSENT OF AZTEC TENTS, EXCEPT TO MEET THE SPECIFIC PURPOSE FOR WHICH IT WAS DELIVERED.

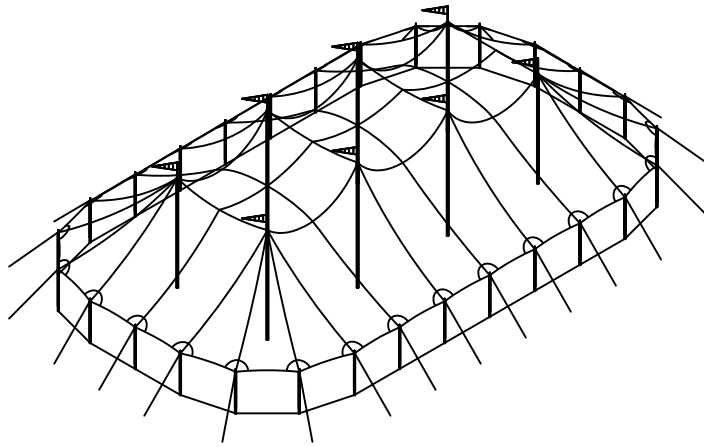
**AZTEC TENTS**  
 DESIGN & PRODUCTION  
 2665 COLUMBIA ST. TORRANCE, CA. 90503  
 (800) 228-3687 - FAX (310) 381-0722

**TIDEWATER POLE TENT**  
 58' - 7 5/8" W x 98' - 7 5/8" L  
 PART NUMBER:

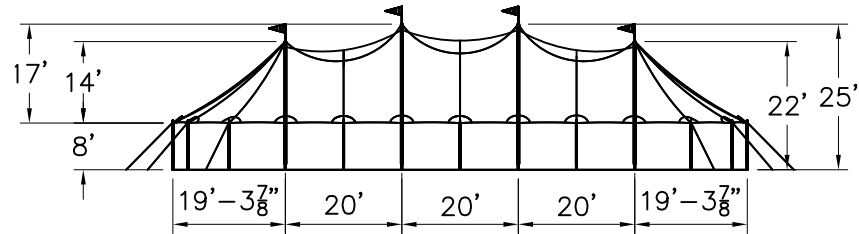
REVISION HISTORY			
REV.	DESCRIPTION	BY:	DATE:

**SALES**

ENGINEER: N/A	DATE: 10/28/2016
PAGE: 1 OF 1	DRAWN: ELVIS

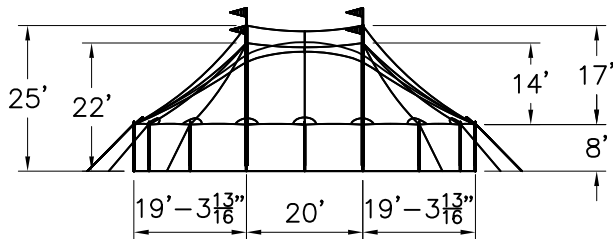


ISOMETRIC VIEW

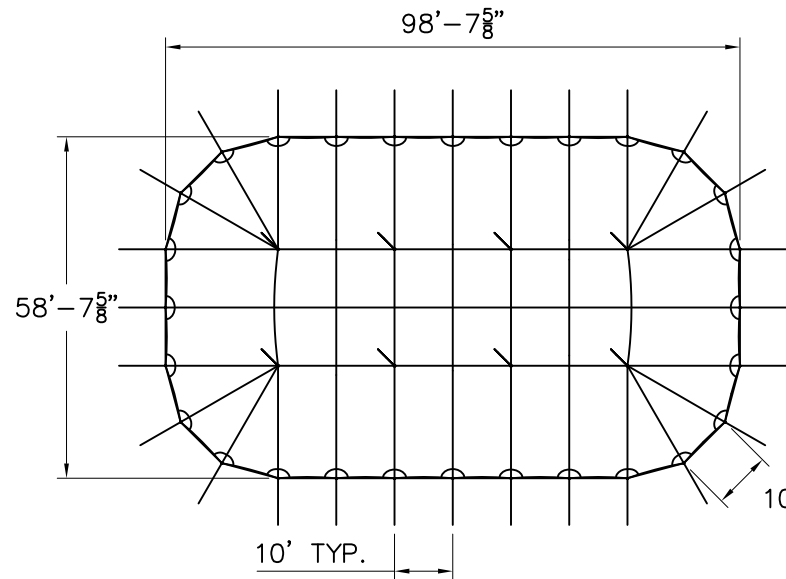


SIDE VIEW

TIDEWATER SAIL CLOTH TENT 59' x 99' 1pc. TWIN POLE



FRONT VIEW



PLAN VIEW

ALL DATA AND INFORMATION CONTAINED IN OR DISCLOSED BY THIS DOCUMENT IS CONFIDENTIAL AND PROPRIETARY INFORMATION OF AZTEC TENTS AND ALL RIGHTS THEREIN ARE EXPRESSLY RESERVED. BY ACCEPTING THIS MATERIAL THE RECIPIENT AGREES THAT THIS MATERIAL AND INFORMATION CONTAINED HEREIN IS HELD IN CONFIDENCE AND TRUST AND WILL NOT BE COPIED, REPRODUCED, OR TRANSMITTED IN ANY MANNER, EITHER ORAL OR IN WRITING, TO ANY OTHERS, EXCEPT TO MEET THE SPECIFIC PURPOSE FOR WHICH IT WAS DELIVERED.

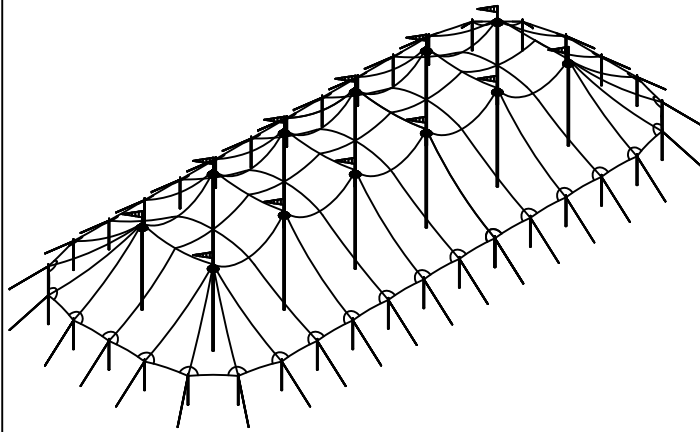
**AZTEC TENTS**  
 DESIGN & PRODUCTION  
 2665 COLUMBIA ST. TORRANCE, CA. 90503  
 (800) 228-3687 - FAX (310) 381-0722

**TIDEWATER POLE TENT**  
 58'-7 5/8" W x 98'-7 5/8" L x 8' LEGS  
 TIDEWATER SAIL CLOTH TENT  
 PART NUMBER:

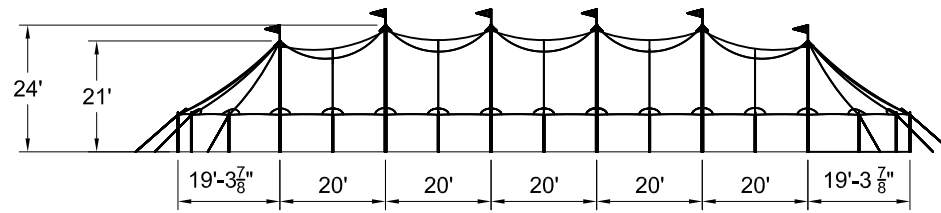
REVISION HISTORY			
REV.	DESCRIPTION	BY:	DATE:

**SALES**

ENGINEER: N/A	DATE: 8/9/2017
PAGE: 1 OF 1	DRAWN: ELVIS

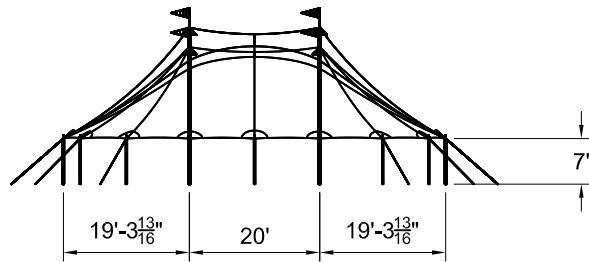


ISOMETRIC VIEW

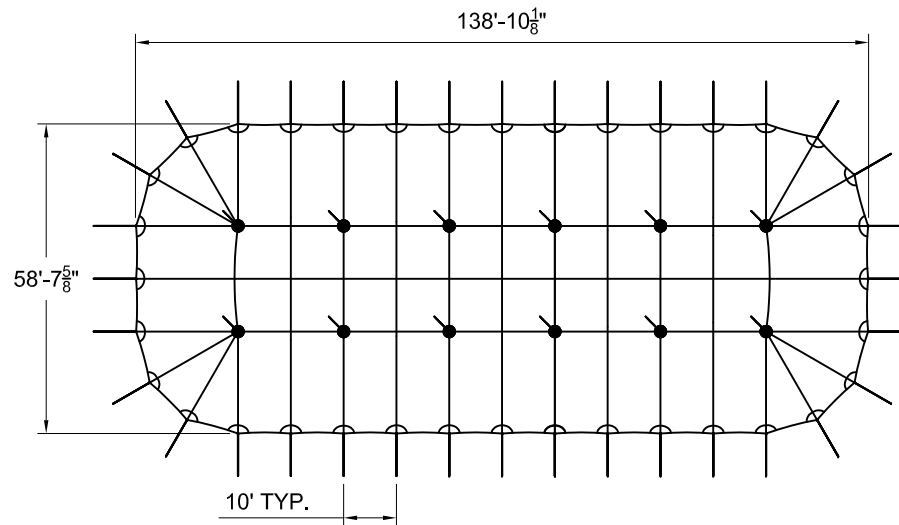


SIDE VIEW

TIDEWATER SAIL CLOTH TENT 58' X 138' 1pc. TWIN POLE



FRONT VIEW



PLAN VIEW

ALL DATA AND INFORMATION CONTAINED IN OR DISCLOSED BY THIS DOCUMENT IS CONFIDENTIAL AND PROPRIETARY INFORMATION OF AZTEC TENTS AND ALL RIGHTS THEREIN ARE EXPRESSLY RESERVED. BY ACCEPTING THIS MATERIAL THE RECIPIENT AGREES THAT THIS MATERIAL AND INFORMATION CONTAINED THEREIN IS HELD IN CONFIDENCE AND IN TRUST, AND WILL NOT BE COPIED, REPRODUCED WHOLE OR IN PART, NOR ITS CONTENTS REVEALED IN ANY MANNER TO OTHERS, EXCEPT TO MEET THE SPECIFIC PURPOSE FOR WHICH IT WAS DELIVERED.

**AZTEC TENTS**  
 DESIGN & PRODUCTION  
 2665 COLUMBIA ST. TORRANCE, CA. 90503  
 (800) 228-3687 - FAX (310) 381-0722

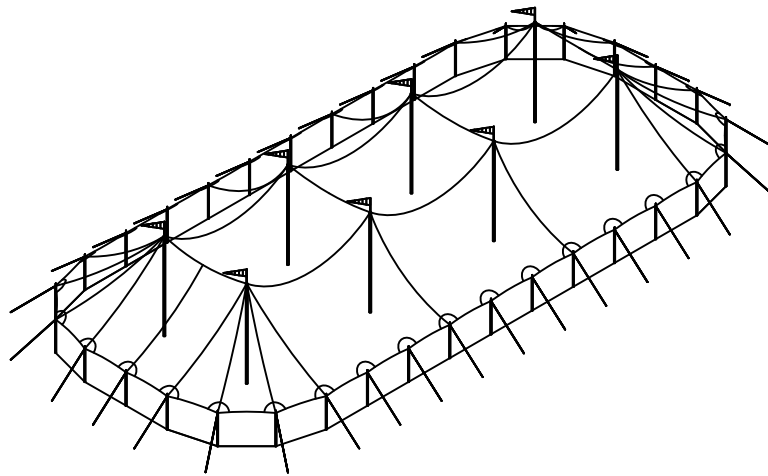
**TIDEWATER FRAME**  
 TIDEWATER SAIL CLOTH TENT/STANDARD  
 58'W X 138'L X 7'LEGS  
 PART NUMBER: ZXXXXXXX

REVISION HISTORY			
REV.	DESCRIPTION	BY:	DATE:

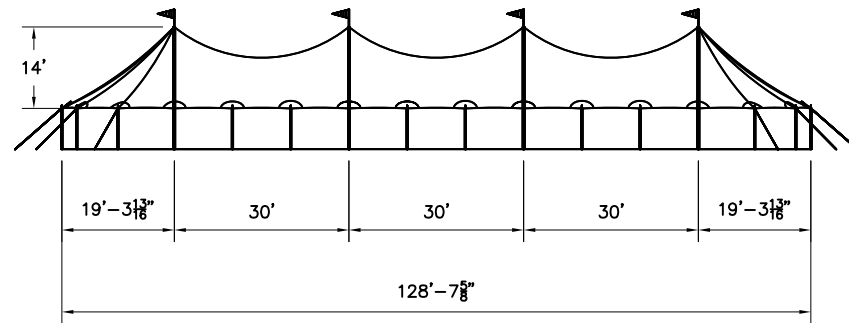
**CONFIDENTIAL**

N/A	DATE: 4/27/2016
1 OF 1	DRAWN: HUGO.R



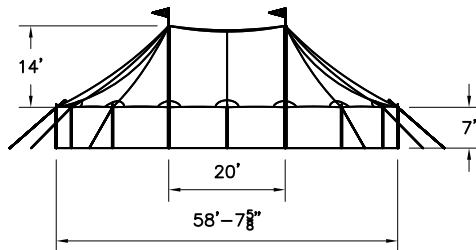


ISOMETRIC VIEW

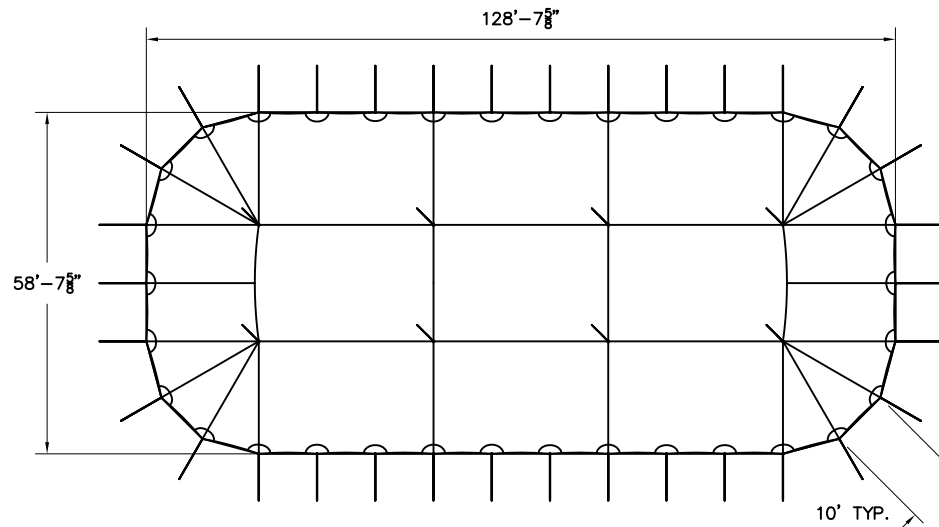


SIDE VIEW

TIDEWATER SAIL CLOTH TENT 58'-7 5/8"W x 128'-7 5/8" WITH 30' QQ MIDS



FRONT VIEW



PLAN VIEW

ALL DATA AND INFORMATION CONTAINED IN OR DISCLOSED BY THIS DOCUMENT IS CONFIDENTIAL AND PROPRIETARY INFORMATION OF AZTEC TENTS AND ALL RIGHTS THEREIN ARE EXPRESSLY RESERVED. BY ACCEPTING THIS MATERIAL THE RECIPIENT AGREES THAT THIS MATERIAL AND INFORMATION CONTAINED THEREIN IS HELD IN CONFIDENCE AND TRUST AND WILL NOT BE COPIED, REPRODUCED, OR TRANSMITTED IN ANY MANNER WITHOUT THE WRITTEN CONSENT OF AZTEC TENTS, EXCEPT TO MEET THE SPECIFIC PURPOSE FOR WHICH IT WAS DELIVERED.

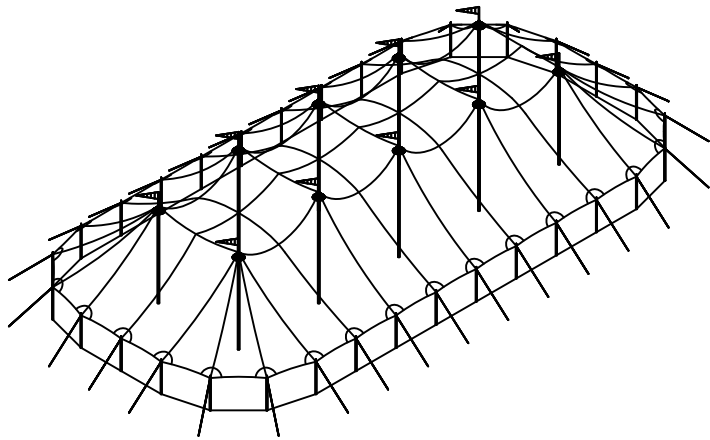
**AZTEC TENTS**  
 DESIGN & PRODUCTION  
 2665 COLUMBIA ST. TORRANCE, CA. 90503  
 (800) 228-3687 - FAX (310) 381-0722

**TIDEWATER POLE TENT**  
 59'W X 129"L-30' MIDS QQ  
 PART NUMBER:

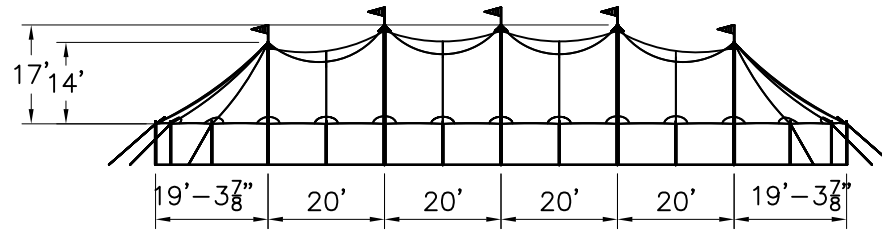
REVISION HISTORY			
REV.	DESCRIPTION	BY:	DATE:

**SALES**

ENGINEER: N/A	DATE: 5/1/2017
PAGE: 1 OF 1	DRAWN: LYZ

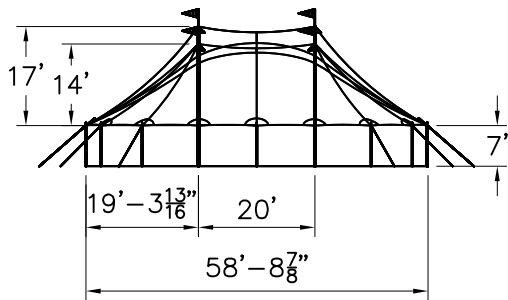


ISOMETRIC VIEW

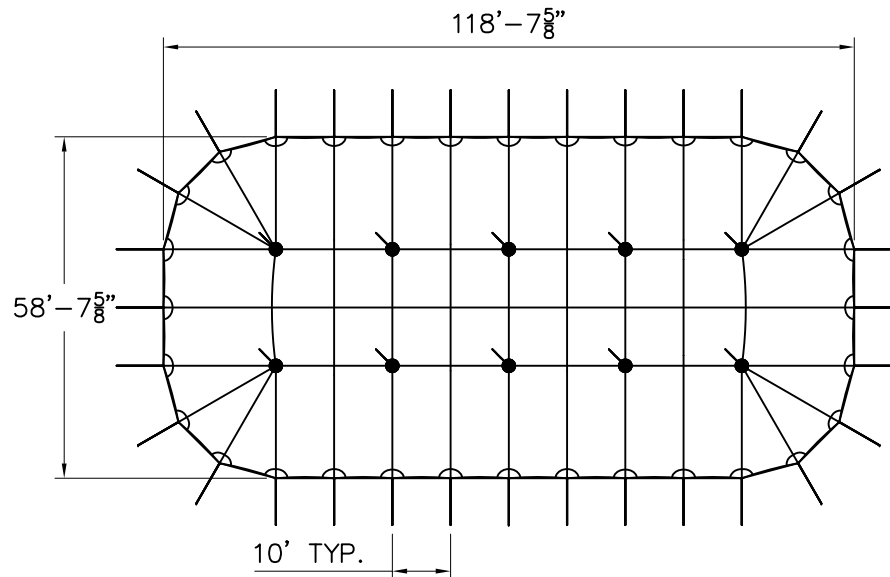


SIDE VIEW

TIDEWATER SAIL CLOTH TENT 58' 7 5/8" X 118' 7 5/8" 1pc. TWIN POLE



FRONT VIEW



PLAN VIEW

ALL DATA AND INFORMATION CONTAINED IN OR DISCLOSED BY THIS DOCUMENT IS CONFIDENTIAL AND PROPRIETARY INFORMATION OF AZTEC TENTS AND ALL RIGHTS THEREIN ARE EXPRESSLY RESERVED. BY ACCEPTING THIS MATERIAL THE RECIPIENT AGREES THAT THIS MATERIAL AND INFORMATION CONTAINED HEREIN IS HELD IN CONFIDENCE AND TRUST AND WILL NOT BE COPIED, REPRODUCED, OR TRANSMITTED IN ANY MANNER, EITHER ORAL OR WRITTEN, TO ANY OTHERS, EXCEPT TO MEET THE SPECIFIC PURPOSE FOR WHICH IT WAS DELIVERED.

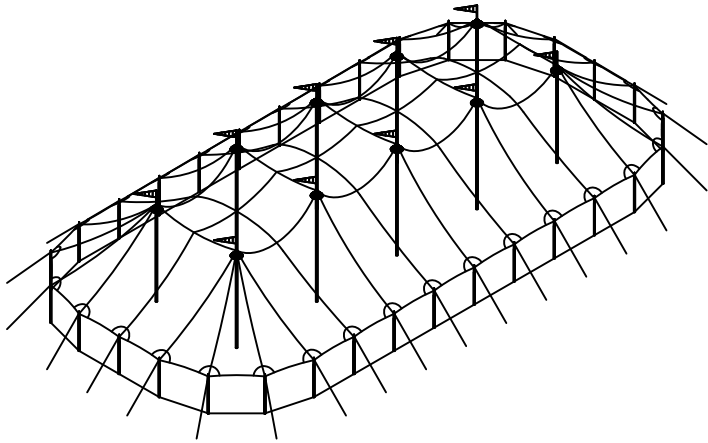
**AZTEC TENTS**  
 DESIGN & PRODUCTION  
 2665 COLUMBIA ST. TORRANCE, CA. 90503  
 (800) 228-3687 - FAX (310) 381-0722

**TIDEWATER POLE TENT**  
 58'-7 5/8"W x 118'-7 5/8"L  
 PART NUMBER:

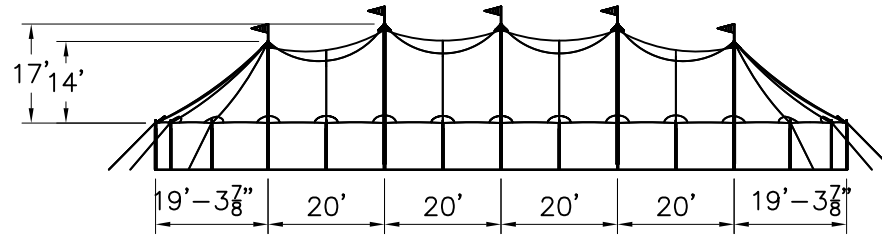
REVISION HISTORY			
REV.	DESCRIPTION	BY:	DATE:

**SALES**

ENGINEER: N/A	DATE: 10/28/2016
PAGE: 1 OF 1	DRAWN: ELVIS

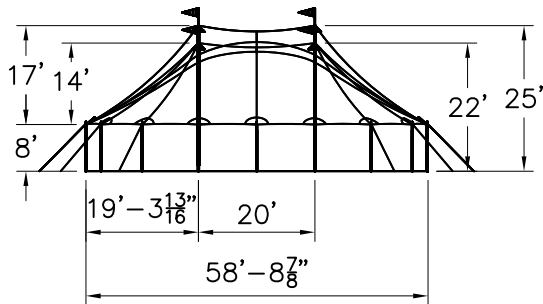


ISOMETRIC VIEW

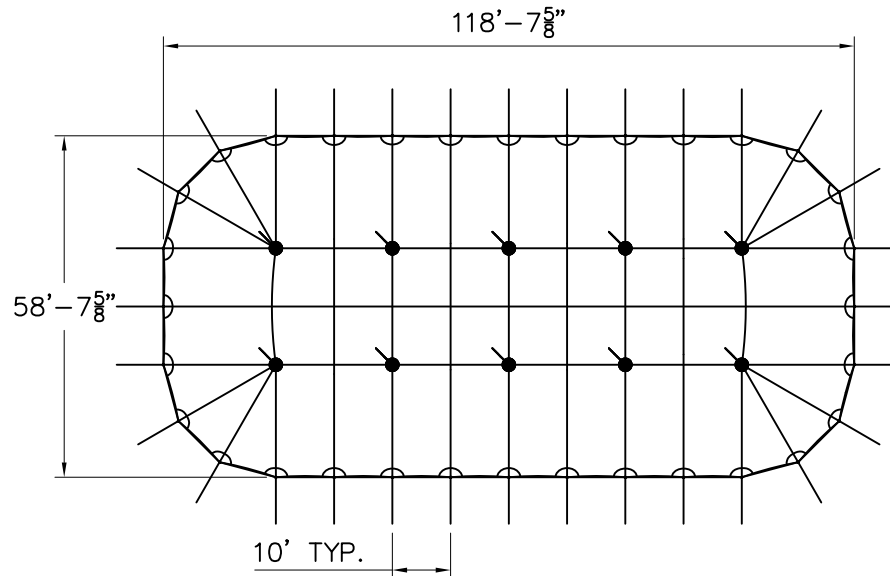


SIDE VIEW

TIDEWATER SAIL CLOTH TENT 59' X 119' 1pc. TWIN POLE



FRONT VIEW



PLAN VIEW

ALL DATA AND INFORMATION CONTAINED IN OR DISCLOSED BY THIS DOCUMENT IS CONFIDENTIAL AND PROPRIETARY INFORMATION OF AZTEC TENTS AND ALL RIGHTS THEREIN ARE EXPRESSLY RESERVED. BY ACCEPTING THIS MATERIAL THE RECIPIENT AGREES THAT THIS MATERIAL AND INFORMATION CONTAINED HEREIN IS HELD IN CONFIDENCE AND TRUST AND WILL NOT BE COPIED, REPRODUCED, OR TRANSMITTED IN ANY MANNER, EITHER IN ANY MANNER TO OTHERS, EXCEPT TO MEET THE SPECIFIC PURPOSE FOR WHICH IT WAS DELIVERED.

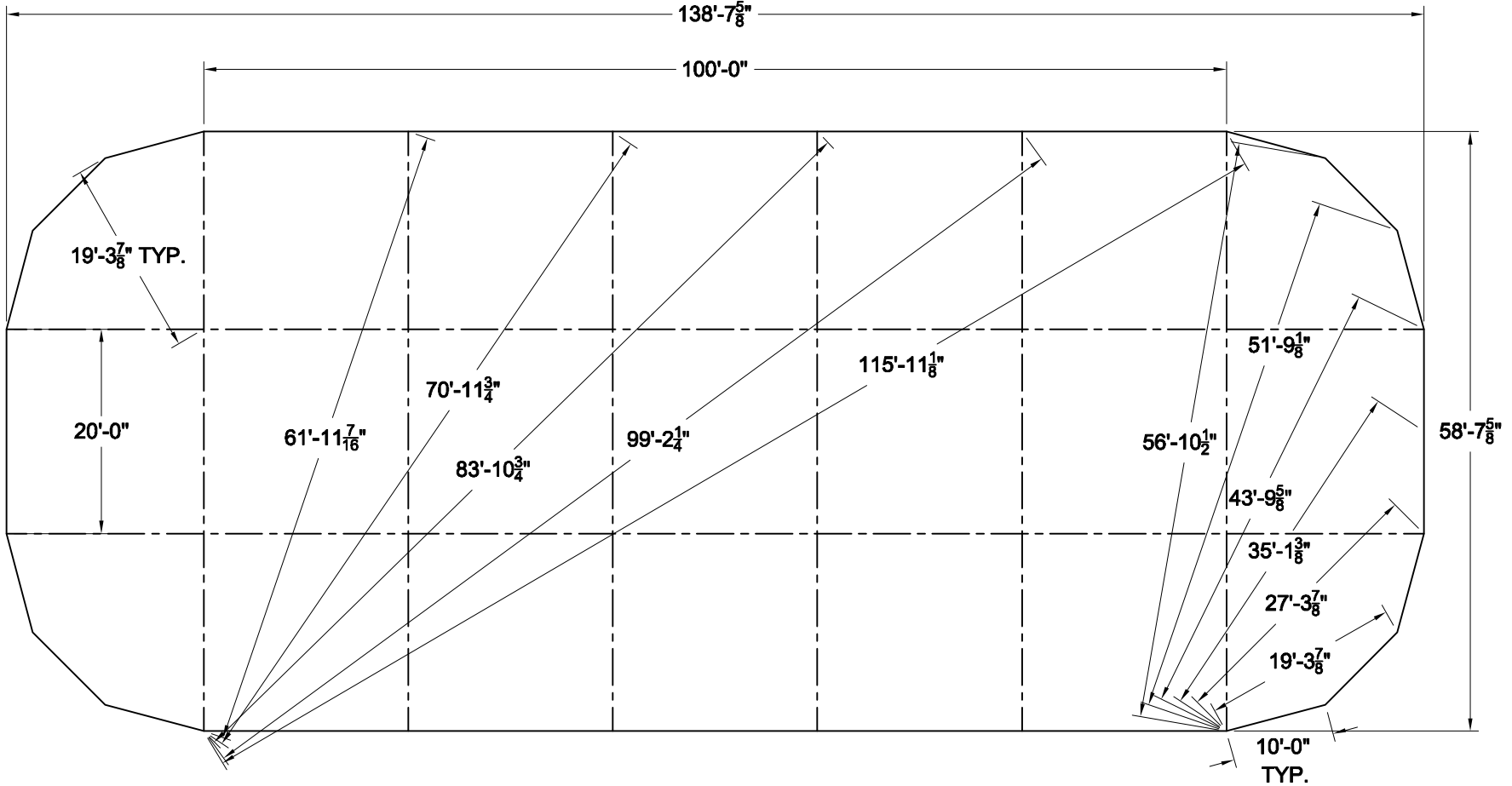
**AZTEC TENTS**  
 DESIGN & PRODUCTION  
 2665 COLUMBIA ST. TORRANCE, CA. 90503  
 (800) 228-3687 - FAX (310) 381-0722

**TIDEWATER POLE TENT**  
 58'-7 5/8" W x 118'-7 5/8" L x 8' LEGS  
 TIDEWATER SAIL CLOTH TENT  
 PART NUMBER:

REVISION HISTORY			
REV.	DESCRIPTION	BY:	DATE:

**SALES**

ENGINEER: N/A	DATE: 8/9/2017
PAGE: 1 OF 1	DRAWN: ELVIS



<p>STANDARD</p> <p>TIDEWATER SAIL CLOTH TENT</p> <p>58'W X 138' L X 7' LEGS</p>		REV	0
		DRAWING NUMBER	AZ - 58'X138' - TIDEWATER
<p>2685 COLUMBIA ST. TORRANCE, CA. 90503</p> <p>(800) 228-3687 - FAX (310) 381-0722</p>	ORDER NUMBER		
	ENGINEER	N/A	DATE
<p>ALL DATA AND INFORMATION CONTAINED IN OR DISCLOSED BY THIS DOCUMENT IS CONFIDENTIAL AND PROPRIETARY INFORMATION OF AZTEC TENTS AND ALL RIGHTS THEREIN ARE EXPRESSLY RESERVED. BY ACCEPTING THIS MATERIAL THE RECIPIENT AGREES THAT THIS MATERIAL AND INFORMATION CONTAINED THEREIN IS HELD IN CONFIDENCE AND IN TRUST, AND WILL NOT BE COPIED, REPRODUCED OR IN PART, NOR ITS CONTENTS REVEALED IN ANY MANNER TO OTHERS, EXCEPT TO MEET THE SPECIFIC PURPOSE FOR WHICH IT WAS DELIVERED.</p>		ENGINEER	CRUZ
<p>PAGE : 3</p>		CHECKED	N/A
<p>REVISE BY :</p>		DATE	4/5/11