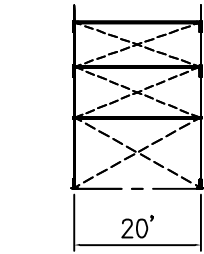
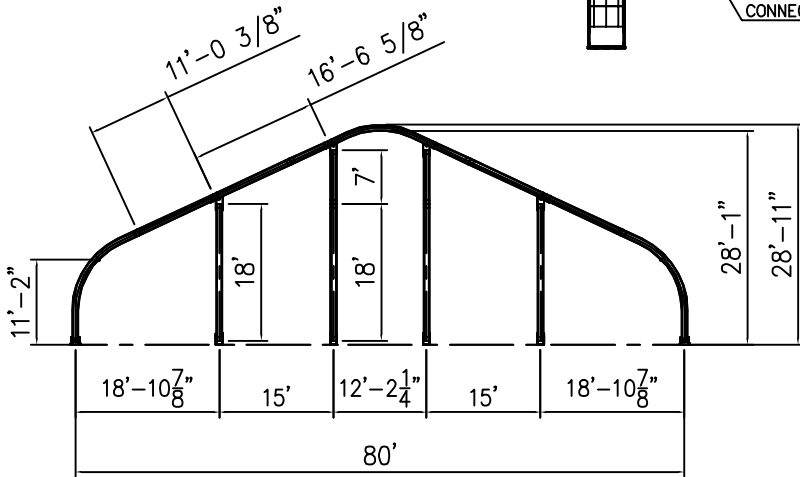
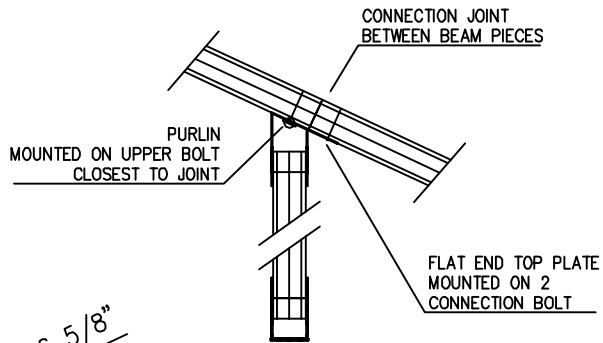


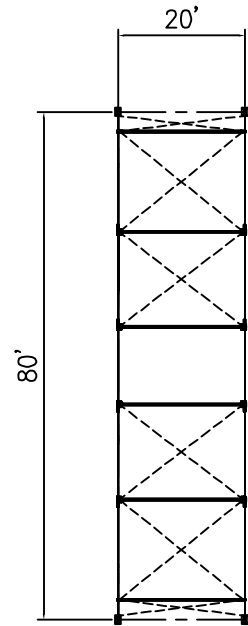
ISOMETRIC ELEVATION



SIDE ELEVATION



FRONT ELEVATION



PLAN ELEVATION



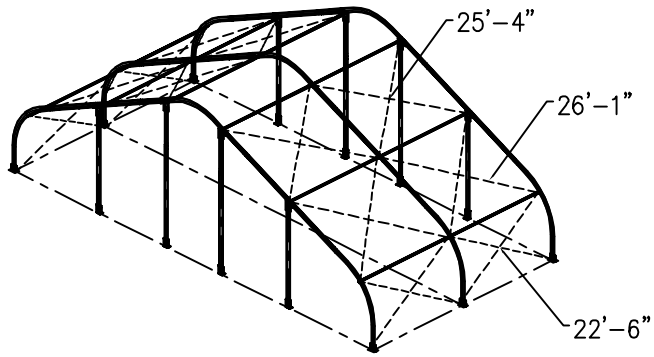
2665 COLUMBIA ST. TORRANCE, CA. 90503
(800) 228-3687 - FAX (310) 381-0722

ENGINEER: CM
DRAWN: KT
DATE: 04/21/06

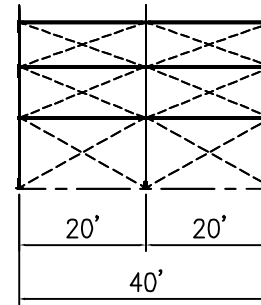
ALL DATA AND INFORMATION CONTAINED IN OR DISCLOSED BY THIS DOCUMENT IS CONFIDENTIAL AND PROPRIETARY INFORMATION OF AZTEC TENTS AND ALL RIGHTS THEREIN ARE RESERVED. THE RECIPIENT AGREES THAT THIS MATERIAL AND INFORMATION CONTAINED HEREIN IS HELD IN CONFIDENCE AND IN TRUST, AND WILL NOT BE COPIED, REPRODUCED WHOLE OR IN PART, NOR ITS CONTENTS REVEALED IN ANY MANNER TO OTHERS, WITHOUT THE WRITTEN CONSENT OF AZTEC TENTS, INC. TO MEET THE SPECIFIC PURPOSE FOR WHICH IT WAS DELIVERED.

MID\BUILDING\80x\80x20x20 042106 1300

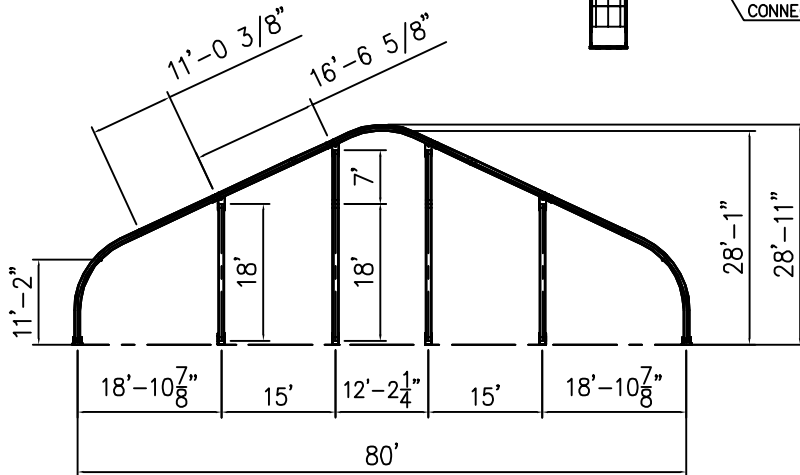
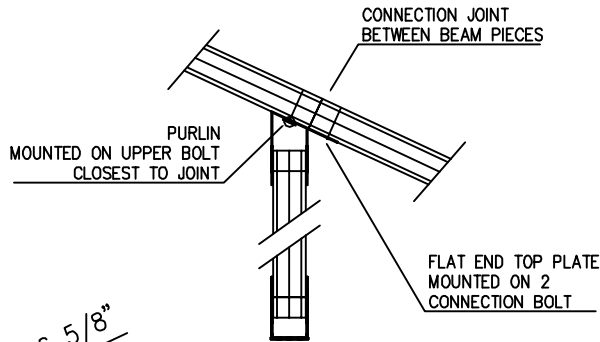
STANDARD	
MID BEAM STRUCTURE / STANDARD	
80' W x 20' L x 20' BAY	
PART DESCRIPTION	DRAWING NUMBER
MID	AZ8020-MID
CODE	REV
SIZE	0



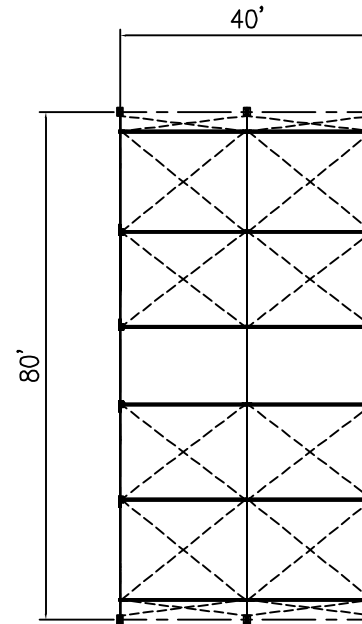
ISOMETRIC ELEVATION



SIDE ELEVATION



FRONT ELEVATION



PLAN ELEVATION



2665 COLUMBIA ST. TORRANCE, CA. 90503
(800) 228-3687 - FAX (310) 381-0722

STANDARD

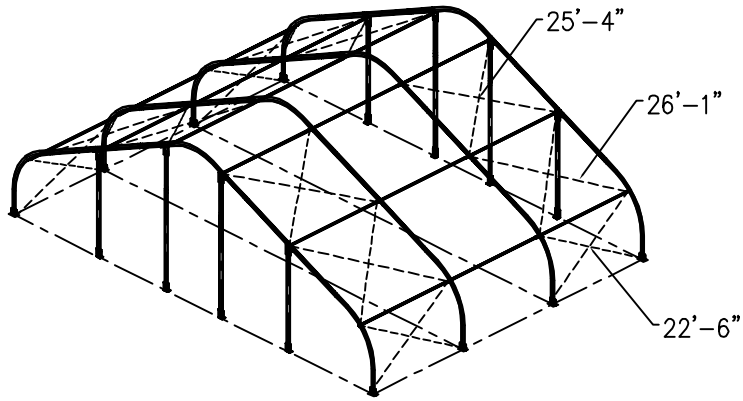
MID BEAM STRUCTURE / STANDARD
80' W x 40' L x 20' BAY

REV	0
DRAWING NUMBER	AZ-8040-MID
CODE	MID
SIZE	40-MID
PART DESCRIPTION	MID

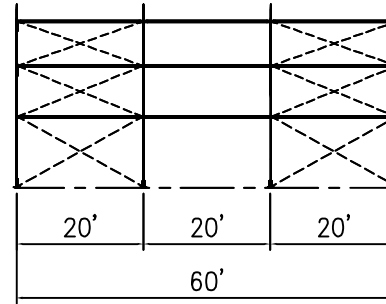
ENGINEER	CM
DRAWN	KT
DATE	04/21/06

ALL DATA AND INFORMATION CONTAINED IN OR DISCLOSED BY THIS DOCUMENT IS CONFIDENTIAL AND PROPRIETARY INFORMATION OF AZTEC TENTS AND ALL RIGHTS THEREIN ARE RESERVED. THE RECIPIENT AGREES THAT THIS MATERIAL AND INFORMATION CONTAINED HEREIN IS HELD IN CONFIDENCE AND IN TRUST AND WILL NOT BE COPIED, REPRODUCED WHOLE OR IN PART, NOR ITS CONTENTS REVEALED IN ANY MANNER TO OTHERS, WITHOUT THE WRITTEN CONSENT OF AZTEC TENTS, INC. TO MEET THE SPECIFIC PURPOSE FOR WHICH IT WAS DELIVERED.

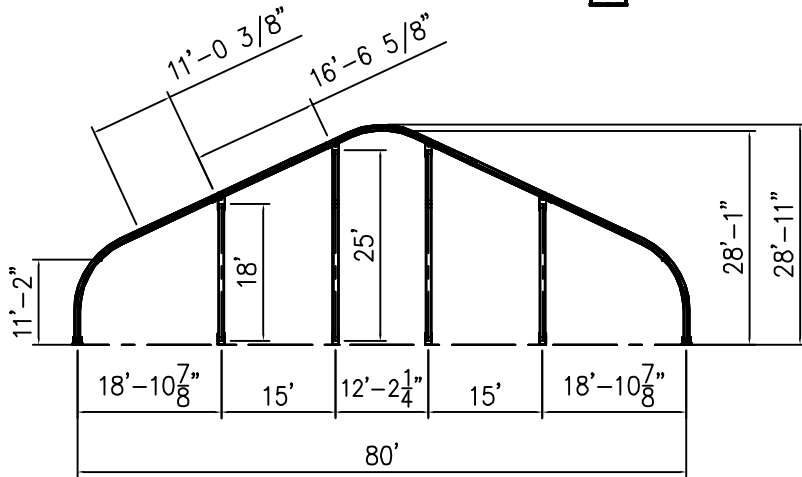
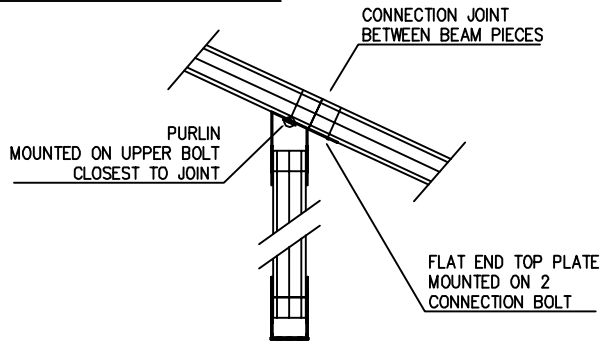
CHECKED	-
042106	1250
MID\BUILDING\80x\80x40x20	042106 1250



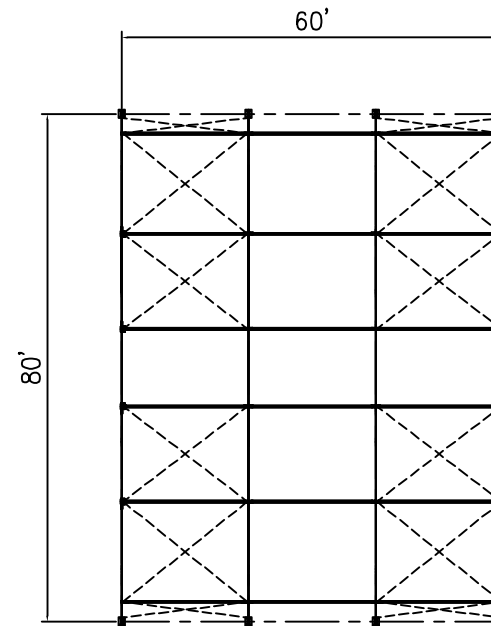
ISOMETRIC ELEVATION



SIDE ELEVATION



FRONT ELEVATION



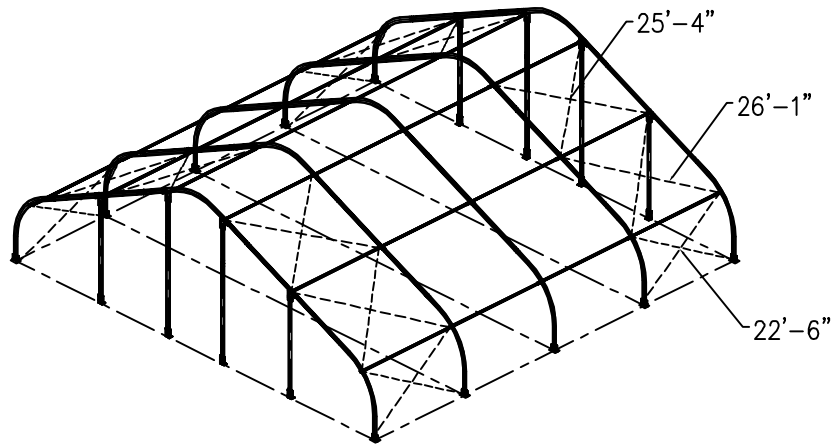
PLAN ELEVATION

STANDARD	
MID BEAM STRUCTURE / STANDARD	
80' W x 60' L x 20' BAY	
CODE	DRAWING NUMBER
MID	AZ8060-MID
SIZE	0

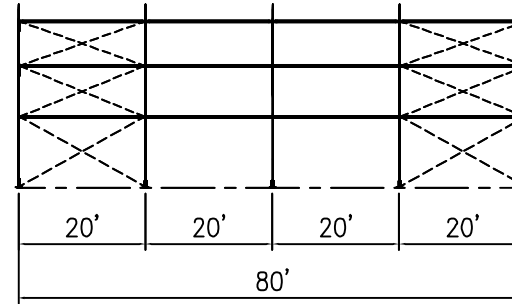
AZTEC	
2665 COLUMBIA ST. TORRANCE, CA. 90503 (800) 228-3687 - FAX (310) 381-0722	
ENGINEER	DATE
CM	04/21/06
DRAWN	KT
CHECKED	-

ALL DATA AND INFORMATION CONTAINED IN OR DISCLOSED BY THIS DOCUMENT IS CONFIDENTIAL AND PROPRIETARY INFORMATION OF AZTEC TENTS AND ALL RIGHTS THEREIN ARE RESERVED. THE RECIPIENT AGREES THAT THIS MATERIAL AND INFORMATION CONTAINED HEREIN IS HELD IN CONFIDENCE AND IN TRUST AND WILL NOT BE COPIED, REPRODUCED WHOLE OR IN PART, NOR ITS CONTENTS REVEALED IN ANY MANNER TO OTHERS, WITHOUT THE WRITTEN CONSENT OF AZTEC TENTS, FOR ANY PURPOSE OTHER THAN TO MEET THE SPECIFIC PURPOSE FOR WHICH IT WAS DELIVERED.

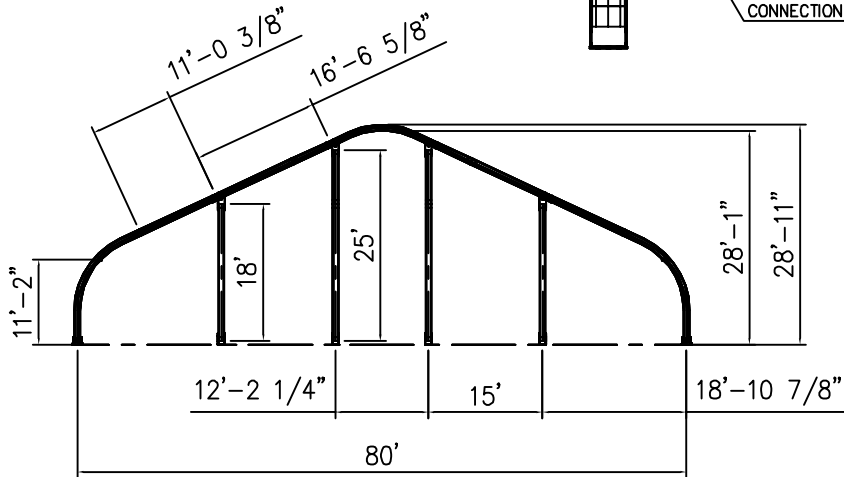
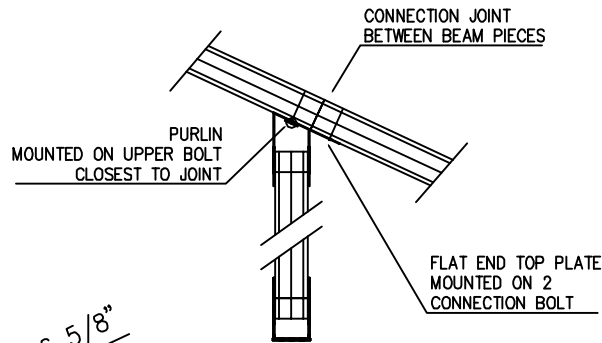
MID\BUILDING\80x 80x60x20 042106 1240



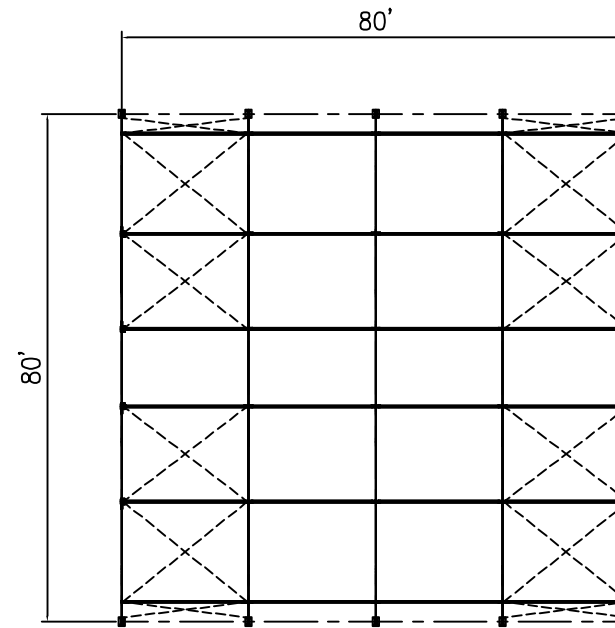
ISOMETRIC ELEVATION



SIDE ELEVATION

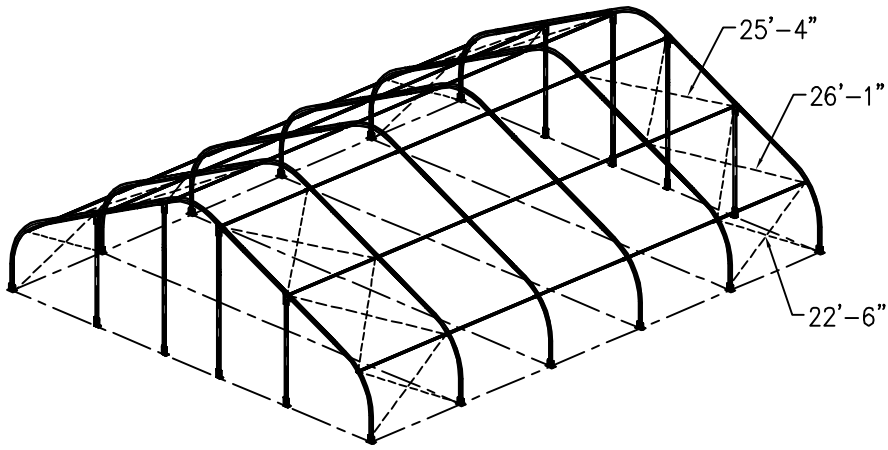


FRONT ELEVATION

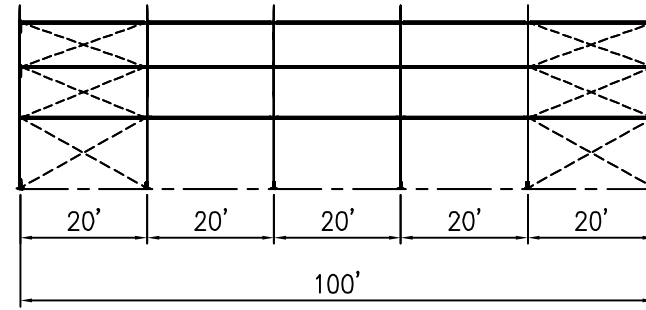


PLAN ELEVATION

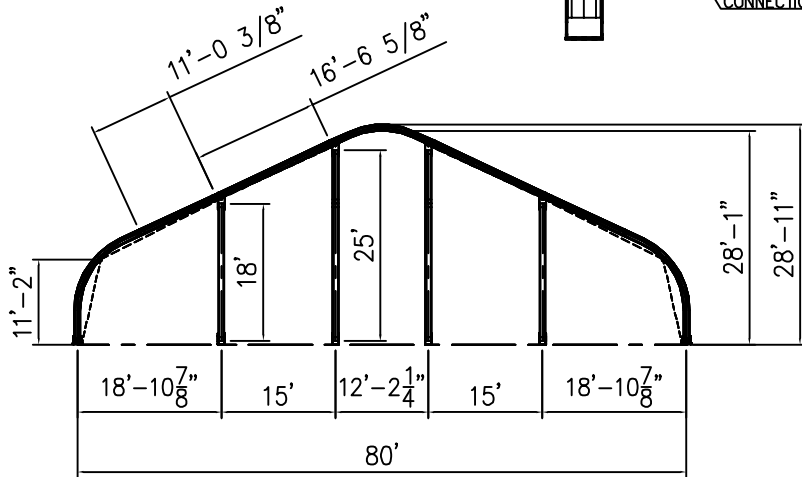
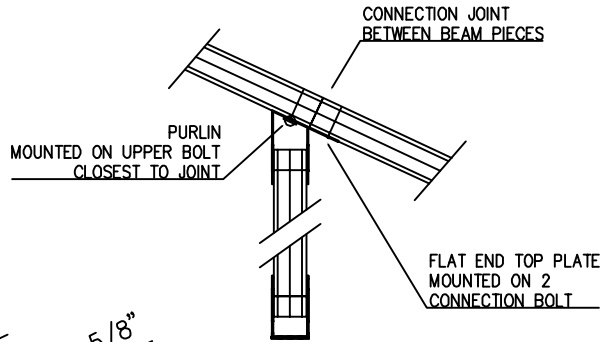
<p>STANDARD</p>		<p>MID BEAM STRUCTURE / STANDARD</p>		<p>REC</p>
		<p>80' W x 80' L x 20' BAY</p>		<p>DRAWING NUMBER</p>
<p>MID</p>		<p>SIZE</p>	<p>AZ-8080-MID</p>	<p>0</p>
<p>ENGINEER</p>		<p>DRAWN</p>	<p>DATE</p>	<p>CHECKED</p>
<p>CM</p>	<p>KT</p>	<p>04/21/06</p>	<p>1335</p>	<p>042106</p>
<p>2665 COLUMBIA ST. TORRANCE, CA. 90503 (800) 228-3687 - FAX (310) 381-0722</p>		<p>ALL DATA AND INFORMATION CONTAINED IN OR DISCLOSED BY THIS DOCUMENT IS CONFIDENTIAL AND PROPRIETARY INFORMATION OF AZTEC TENTS AND ALL RIGHTS THEREIN ARE RESERVED. THE RECIPIENT AGREES THAT THIS MATERIAL AND INFORMATION CONTAINED HEREIN IS HELD IN CONFIDENCE AND IN TRUST, AND WILL NOT BE COPIED, REPRODUCED WHOLE OR IN PART, NOR ITS CONTENTS REVEALED IN ANY MANNER TO OTHERS, WITHOUT THE WRITTEN CONSENT OF AZTEC TENTS, INC. TO MEET THE SPECIFIC PURPOSE FOR WHICH IT WAS DELIVERED.</p>		
<p>MID\BUILDING\80x\80x80x20</p>		<p>042106</p>	<p>1335</p>	<p>042106</p>



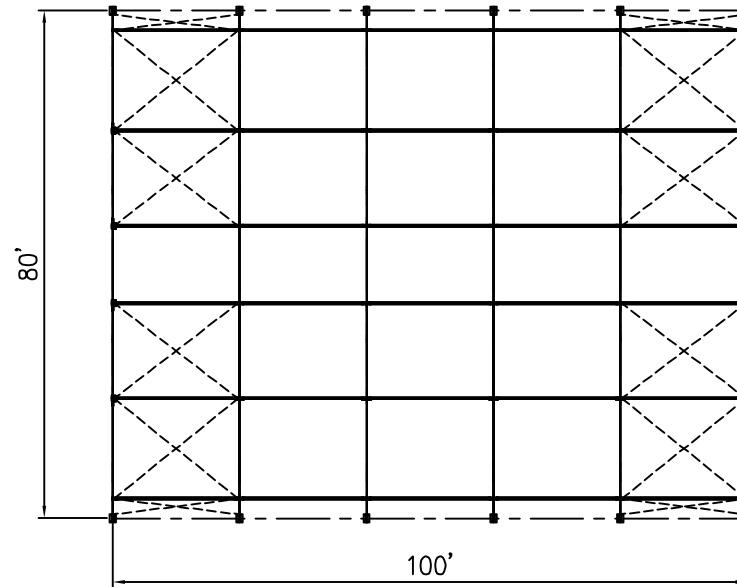
ISOMETRIC ELEVATION



SIDE ELEVATION



FRONT ELEVATION



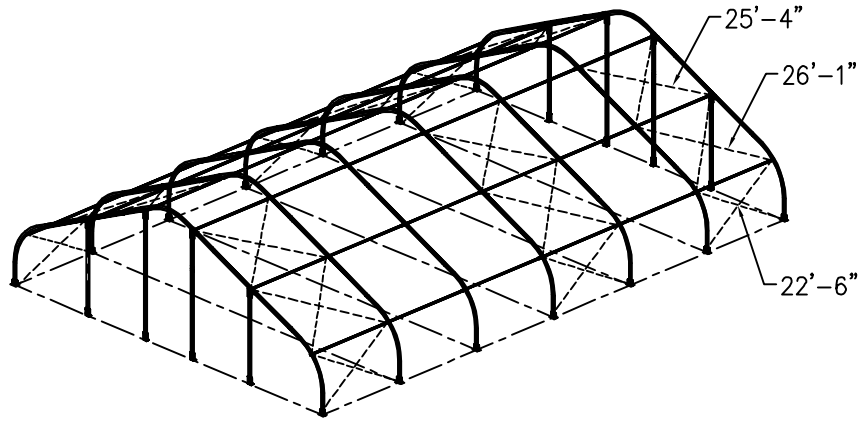
PLAN ELEVATION

STANDARD		MID BEAM STRUCTURE / STANDARD	80' W x 100' L x 20' BAY	REV	0
				DRAWING NUMBER	
PART DESCRIPTION		CODE	SIZE	DRAWING NUMBER	
MID		AZ	80100	MID 0	

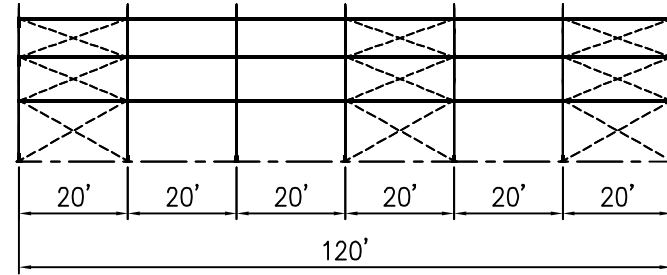
	2665 COLUMBIA ST. TORRANCE, CA. 90503 (800) 228-3687 - FAX (310) 381-0722	ENGINEER	CM	DRAWN	KT	DATE	04/21/06
		CHECKED	-				

ALL DATA AND INFORMATION CONTAINED IN OR DISCLOSED BY THIS DOCUMENT IS CONFIDENTIAL AND PROPRIETARY INFORMATION OF AZTEC TENTS AND ALL RIGHTS THEREIN ARE RESERVED BY AZTEC TENTS. THE RECIPIENT AGREES THAT THIS MATERIAL AND INFORMATION CONTAINED HEREIN IS HELD IN CONFIDENCE AND IN TRUST AND WILL NOT BE COPIED, REPRODUCED WHOLE OR IN PART, NOR ITS CONTENTS REVEALED IN ANY MANNER TO OTHERS, WITHOUT THE WRITTEN CONSENT OF AZTEC TENTS. THIS AGREEMENT IS MADE TO MEET THE SPECIFIC PURPOSE FOR WHICH IT WAS DELIVERED.

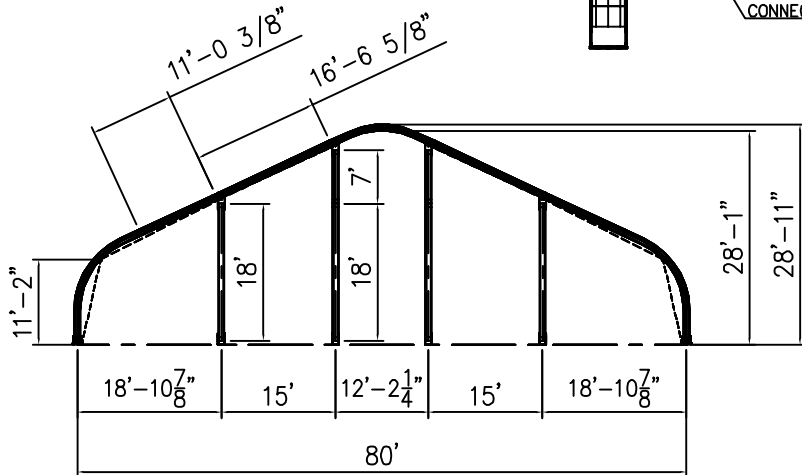
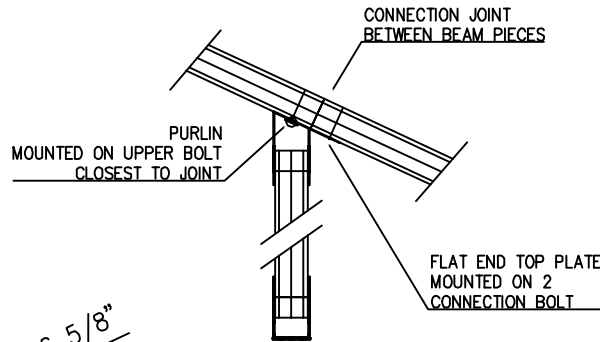
MID\BUILDING\80x100x20 042106 1355



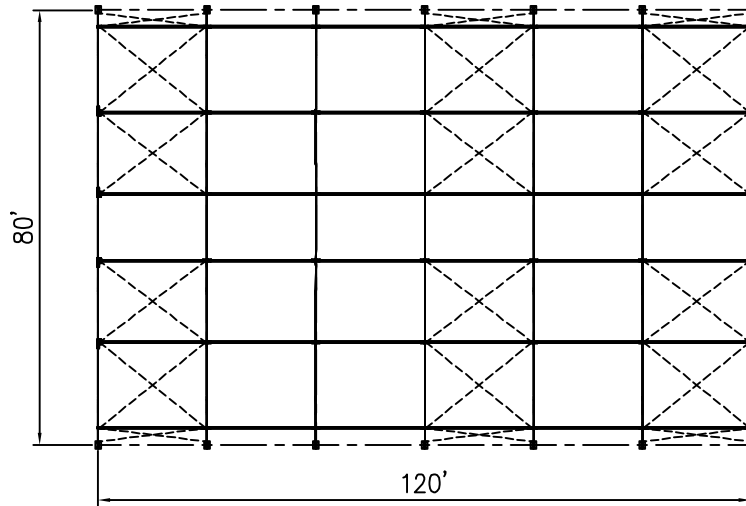
ISOMETRIC ELEVATION



SIDE ELEVATION



FRONT ELEVATION



PLAN ELEVATION



2665 COLUMBIA ST. TORRANCE, CA. 90503
(800) 228-3667 - FAX (310) 381-0722

STANDARD

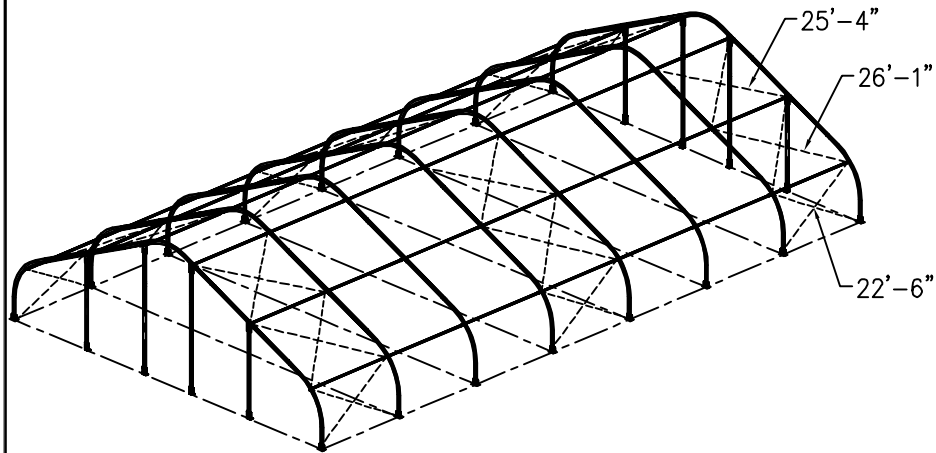
MID BEAM STRUCTURE / STANDARD
80' W x 120' L x 20' BAY

REV	0
DRAWING NUMBER	AZ-80120-MID
CODE	MID
PART DESCRIPTION	MID BEAM STRUCTURE / STANDARD

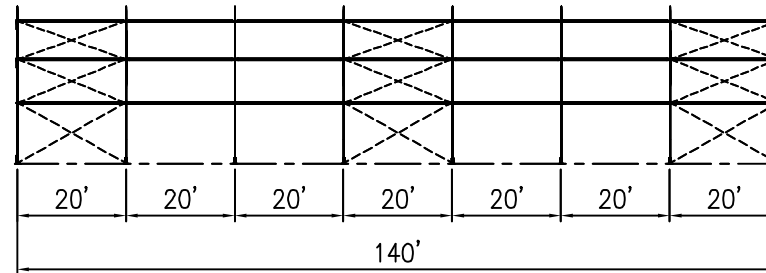
ENGINEER	CM
DRAWN	KT
DATE	04/21/06

ALL DATA AND INFORMATION CONTAINED IN OR DISCLOSED BY THIS DOCUMENT IS CONFIDENTIAL AND PROPRIETARY INFORMATION OF AZTEC TENTS AND ALL RIGHTS THEREIN ARE RESERVED BY AZTEC TENTS. THE RECIPIENT AGREES THAT THIS MATERIAL AND INFORMATION CONTAINED HEREIN IS HELD IN CONFIDENCE AND IN TRUST AND WILL NOT BE COPIED, REPRODUCED WHOLE OR IN PART, NOR ITS CONTENTS REVEALED IN ANY MANNER TO OTHERS, WITHOUT THE WRITTEN CONSENT OF AZTEC TENTS. THIS AGREEMENT IS MADE TO MEET THE SPECIFIC PURPOSE FOR WHICH IT WAS DELIVERED.

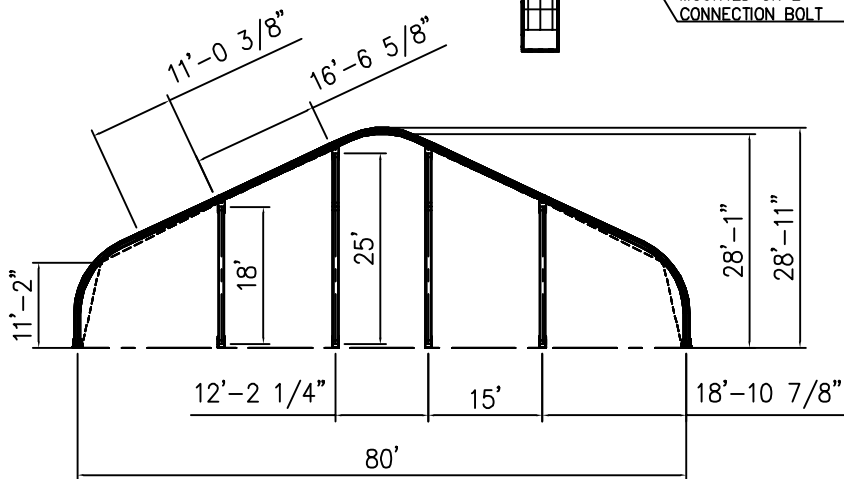
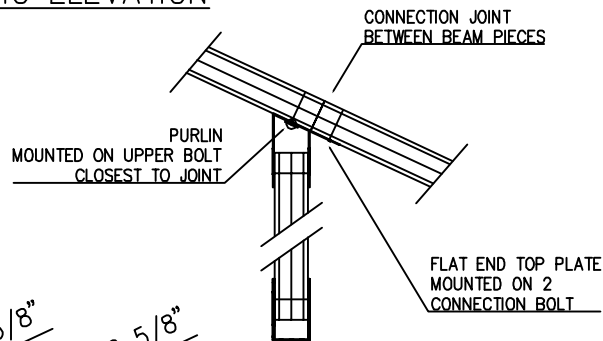
CHECKED	-
042106	1410
MID\BUILDING\80x120x20	042106 1410



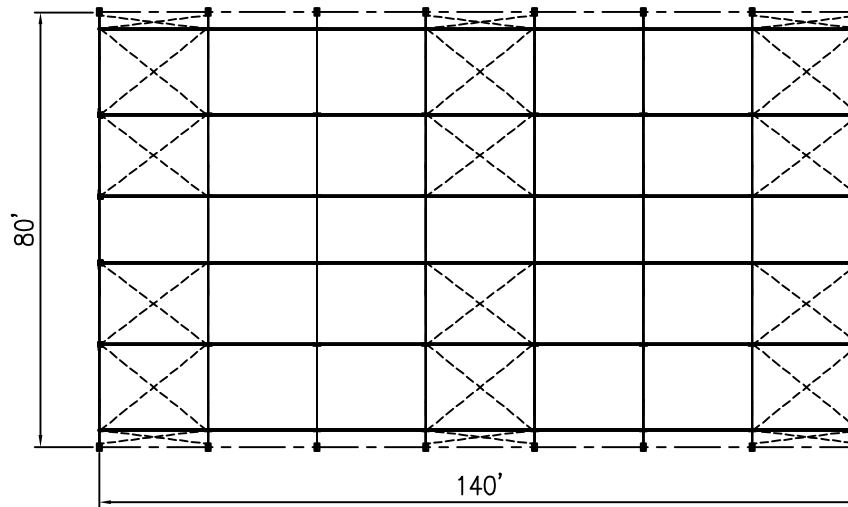
ISOMETRIC ELEVATION




SIDE ELEVATION

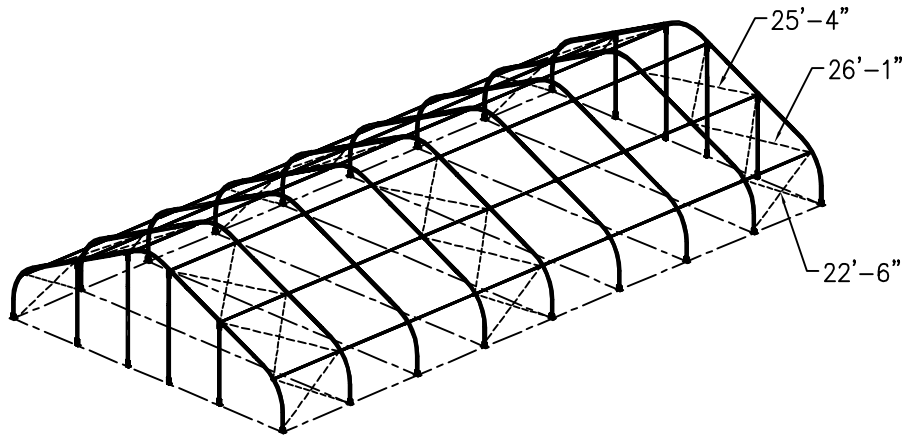


FRONT ELEVATION

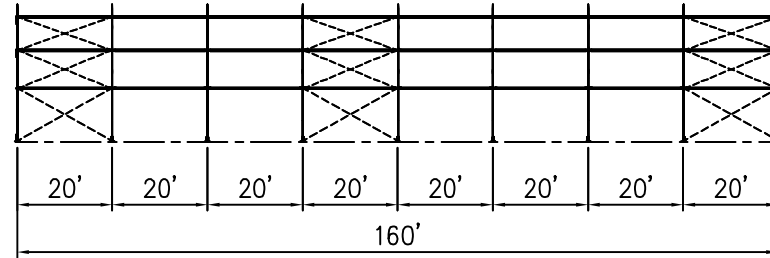


PLAN ELEVATION

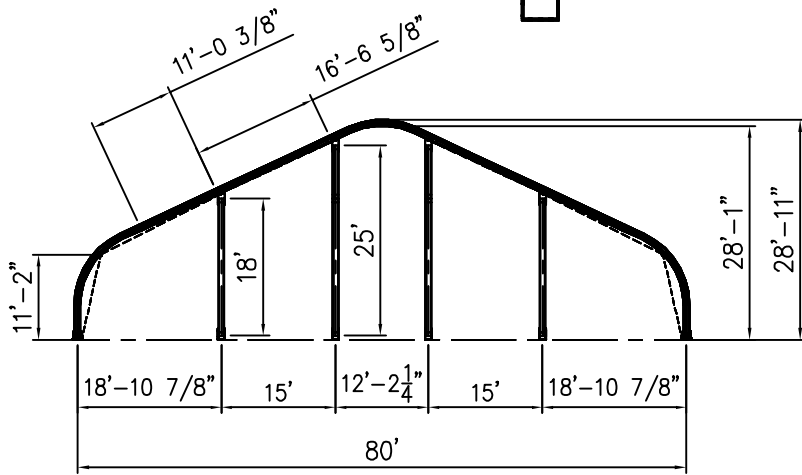
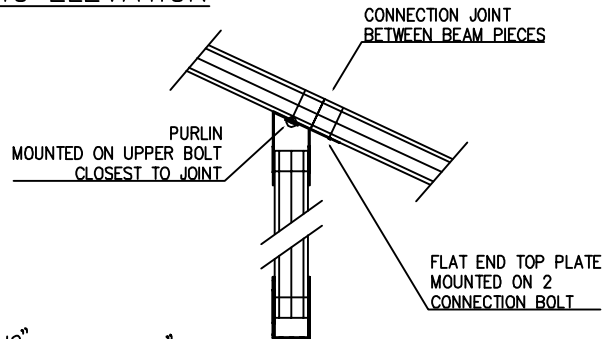
 2685 COLUMBIA ST. TORRANCE, CA. 90503 (800) 228-3687 - FAX (310) 361-0722		ENGINEER	CM	DRAWN	KT	DATE	04/21/06
		ALL DATA AND INFORMATION CONTAINED IN OR DISCLOSED BY THIS DOCUMENT IS CONFIDENTIAL AND PROPRIETARY INFORMATION OF AZTEC TENTS AND ALL RIGHTS THEREIN ARE RESERVED. THE RECIPENT AGREES TO HOLD ALL INFORMATION CONTAINED HEREIN IN CONFIDENCE AND IN TRUST AND WILL NOT BE COPIED, REPRODUCED WHOLE OR IN PART, NOR ITS CONTENTS REVEALED IN ANY MANNER TO OTHERS, WITHOUT THE WRITTEN CONSENT OF AZTEC TENTS, EXCEPT TO MEET THE SPECIFIC PURPOSE FOR WHICH IT WAS DELIVERED.		CHECKED	-	042106	1420
STANDARD MID BEAM STRUCTURE / STANDARD 80' W x 140' L x 20' BAY		PART DESCRIPTION	CODE	SIZE	DRAWING NUMBER	REV	0
					AZ80140-DRAWING		



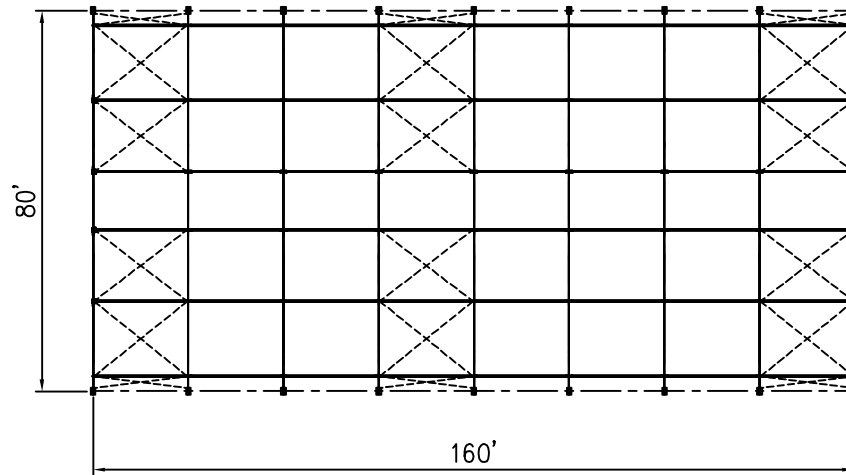
ISOMETRIC ELEVATION



SIDE ELEVATION



FRONT ELEVATION



PLAN ELEVATION

AZTEC
 2685 COLUMBIA ST. TORRANCE, CA. 90503
 (800) 228-3687 - FAX (310) 361-0722

ENGINEER: CM
 DRAWN: KT
 DATE: 04/21/06

ALL DATA AND INFORMATION CONTAINED IN OR DISCLOSED BY THIS DOCUMENT IS CONFIDENTIAL AND PROPRIETARY INFORMATION OF AZTEC TENTS AND ALL RIGHTS THEREIN ARE RESERVED. NO PART OF THIS DOCUMENT OR INFORMATION CONTAINED HEREIN IS TO BE REPRODUCED OR TRANSMITTED IN ANY FORM OR BY ANY MEANS, ELECTRONIC OR MECHANICAL, INCLUDING PHOTOCOPYING, RECORDING, OR BY ANY INFORMATION STORAGE AND RETRIEVAL SYSTEM, WITHOUT THE WRITTEN PERMISSION OF AZTEC TENTS. THE RECIPENT AGREES TO HOLD THE INFORMATION CONTAINED HEREIN IN CONFIDENCE AND IN TRUST AND WILL NOT BE COPIED, REPRODUCED WHOLE OR IN PART, NOR ITS CONTENTS REVEALED IN ANY MANNER TO OTHERS, EXCEPT TO MEET THE SPECIFIC PURPOSE FOR WHICH IT WAS DELIVERED.

CHECKED: -
 032510 1715
 MID\BUILDING\80x160x20

STANDARD	
MID BEAM STRUCTURE / STANDARD	
80' W x 160' L x 20' BAY	
PART DESCRIPTION	---
CODE	---
SIZE	---
DRAWING NUMBER	AZ80160-DRAWING 1
REV	1