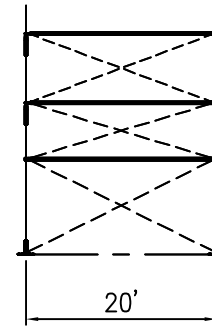
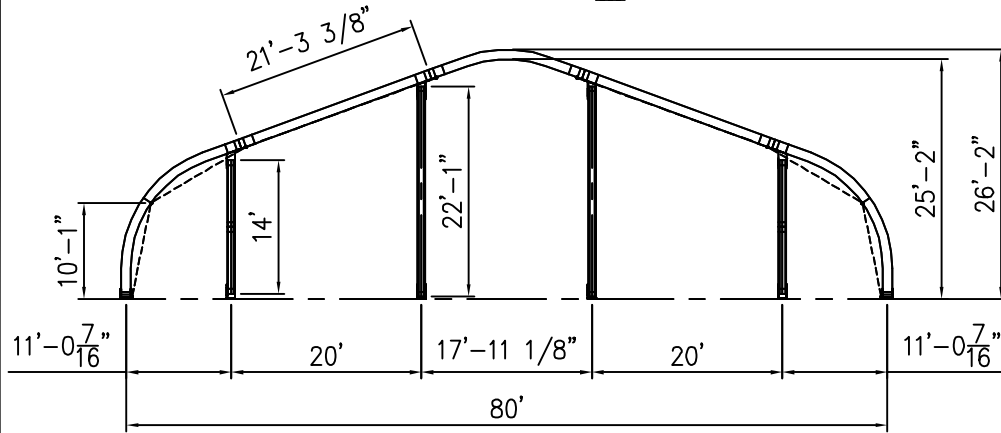
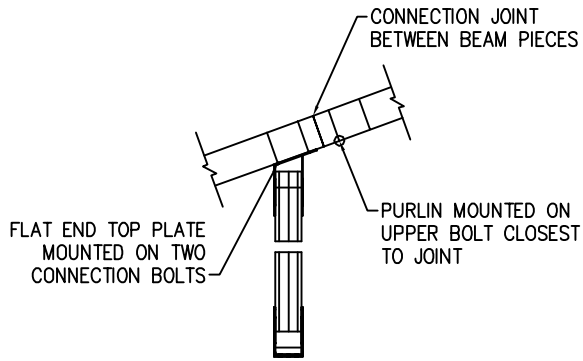


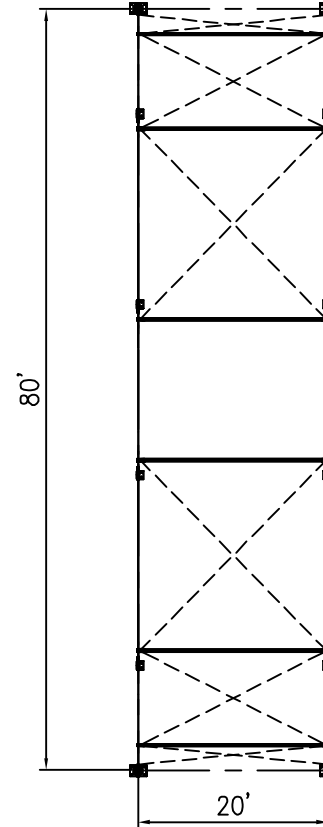
ISOMETRIC ELEVATION



SIDE ELEVATION



FRONT ELEVATION



PLAN ELEVATION



480 ALASKA AVE. TORRANCE, CA. 90503  
(800) 228-3687 - FAX (310) 381-0722

STANDARD

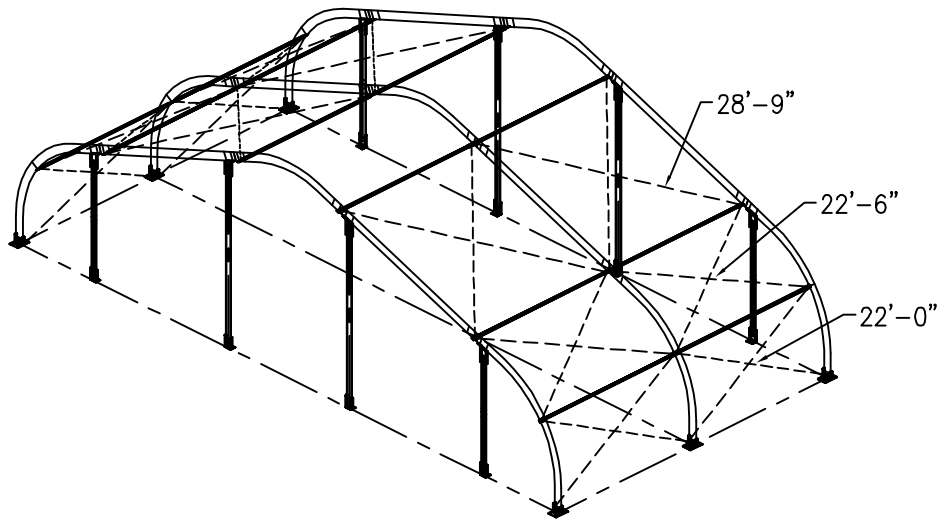
MAXI BEAM STRUCTURE / STANDARD  
80' W x 20' L x 20' BAYS

REV	0
DRAWING NUMBER	MAXI
SIZE	AZ-80x20x20-MAXI
CODE	
PART DESCRIPTION	MAXI

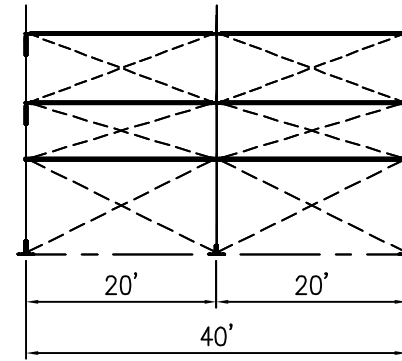
ENGINEER	CM
DRAWN	KT
DATE	04/10/06
CHECKED	-

ALL DATA AND INFORMATION CONTAINED IN OR DISCLOSED BY THIS DOCUMENT IS CONFIDENTIAL AND PROPRIETARY INFORMATION OF AZTEC TENTS AND ALL RIGHTS THEREIN ARE RESERVED BY AZTEC TENTS. THE RECIPIENT AGREES THAT THIS MATERIAL AND INFORMATION CONTAINED HEREIN IS HELD IN CONFIDENCE AND IN TRUST AND WILL NOT BE COPIED, REPRODUCED WHOLE OR IN PART, NOR ITS CONTENTS REVEALED IN ANY MANNER TO OTHERS, WITHOUT THE WRITTEN CONSENT OF AZTEC TENTS. THIS AGREEMENT IS MADE TO MEET THE SPECIFIC PURPOSE FOR WHICH IT WAS DELIVERED.

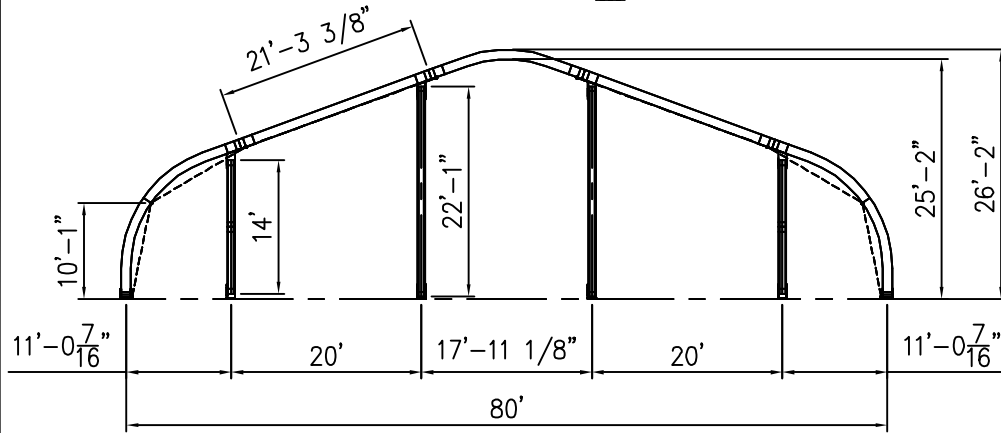
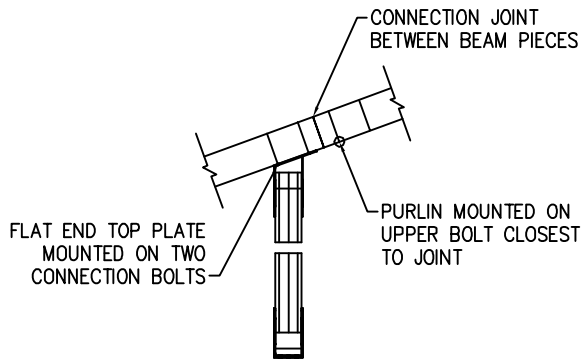
PROJECT	MX\BUILDING\80-W\80x20x20
DATE	04/10/06
945	



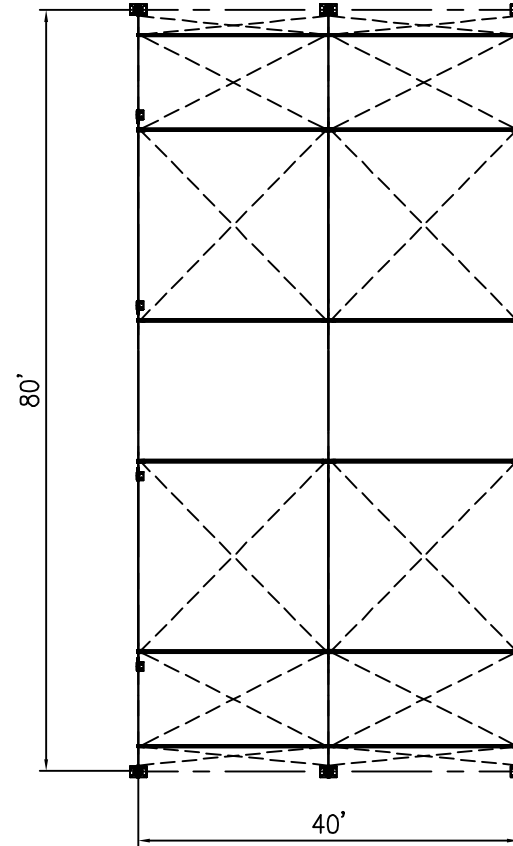
ISOMETRIC ELEVATION



SIDE ELEVATION



FRONT ELEVATION



PLAN ELEVATION



480 ALASKA AVE. TORRANCE, CA. 90503  
(800) 228-3687 - FAX (310) 381-0722

STANDARD

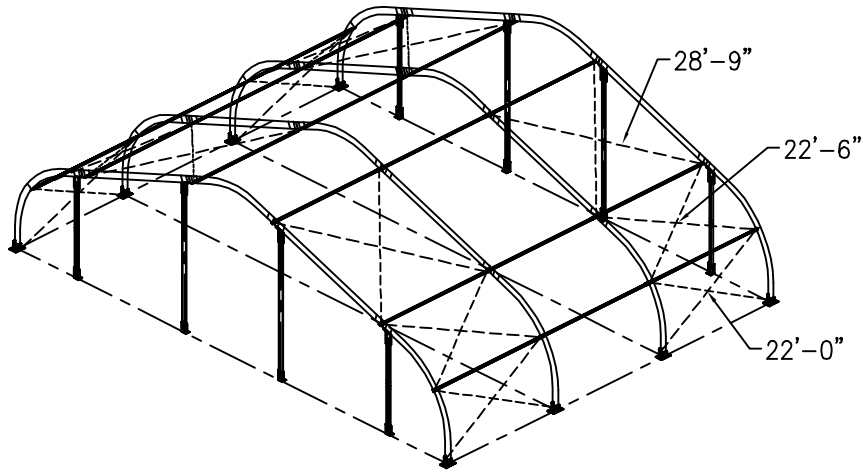
MAXI BEAM STRUCTURE / STANDARD  
80' W x 40' L x 20' BAYS

REV	0
DRAWING NUMBER	MAXI
SIZE	AZ-80x40x20-MAXI
CODE	
PART DESCRIPTION	

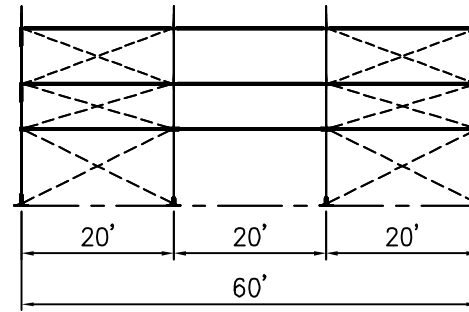
ENGINEER	CM
DRAWN	KT
DATE	04/10/06
CHECKED	-

ALL DATA AND INFORMATION CONTAINED IN OR DISCLOSED BY THIS DOCUMENT IS CONFIDENTIAL AND PROPRIETARY INFORMATION OF AZTEC TENTS AND ALL RIGHTS THEREIN ARE RESERVED BY AZTEC TENTS. THE RECIPIENT AGREES THAT THIS MATERIAL AND INFORMATION CONTAINED HEREIN IS HELD IN CONFIDENCE AND IN TRUST AND WILL NOT BE COPIED, REPRODUCED WHOLE OR IN PART, NOR ITS CONTENTS REVEALED IN ANY MANNER TO OTHERS, WITHOUT THE WRITTEN CONSENT OF AZTEC TENTS. THIS AGREEMENT IS MADE TO MEET THE SPECIFIC PURPOSE FOR WHICH IT WAS DELIVERED.

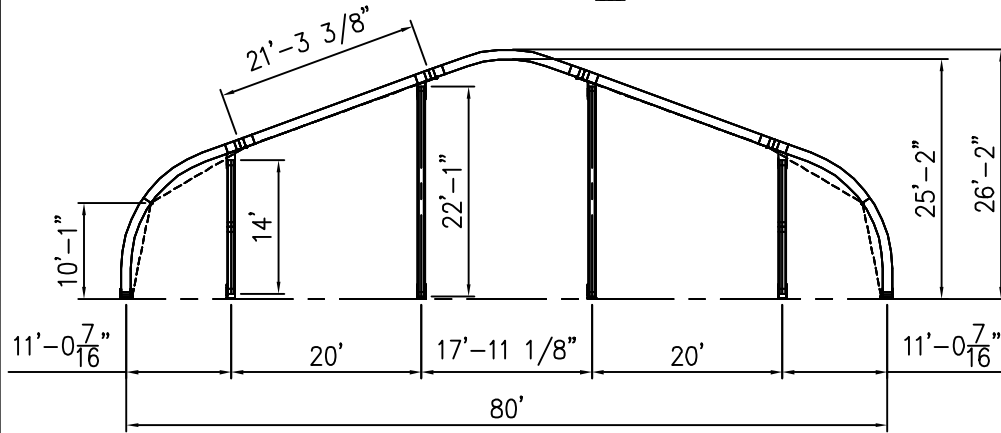
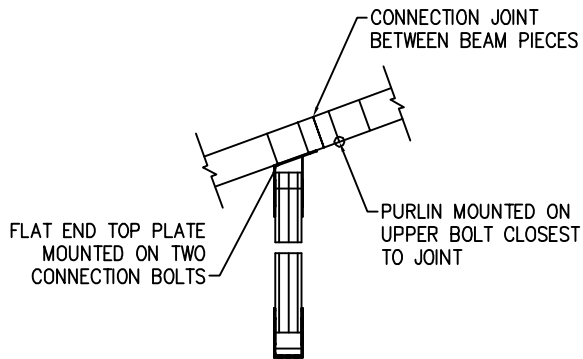
PROJECT	MX\BUILDING\80-W\80x40x20
DATE	04/10/06
1010	



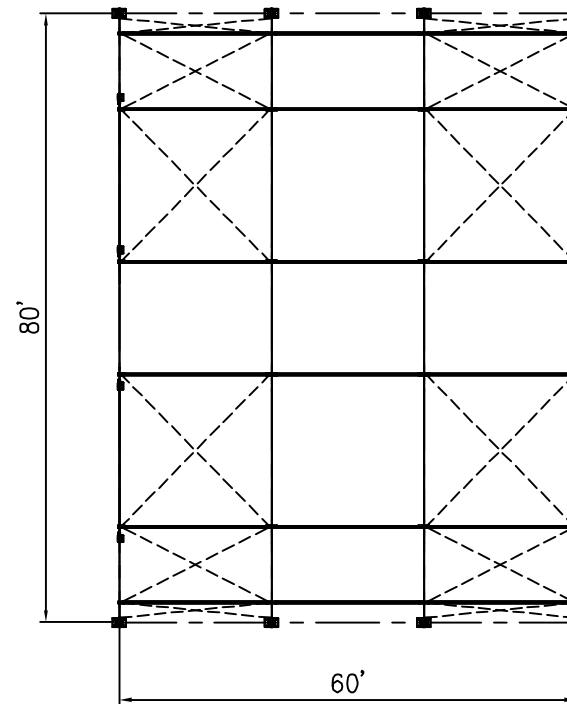
ISOMETRIC ELEVATION



SIDE ELEVATION



FRONT ELEVATION



PLAN ELEVATION



480 ALASKA AVE. TORRANCE, CA. 90503  
(800) 228-3687 - FAX (310) 381-0722

STANDARD

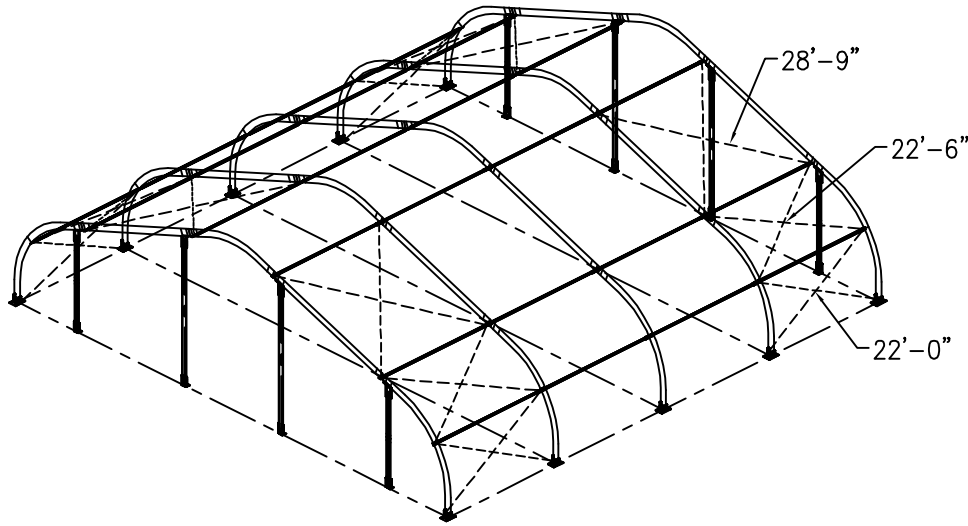
MAXI BEAM STRUCTURE / STANDARD  
80' W x 60' L x 20' BAYS

REV	0
DRAWING NUMBER	MAXI
SIZE	AZ-80x60x20-MAXI
PART DESCRIPTION	MAXI

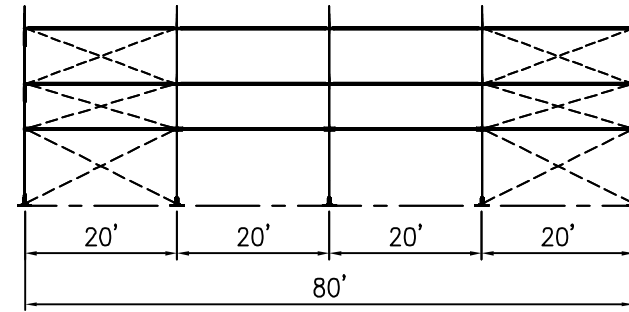
ENGINEER	CM
DRAWN	KT
DATE	04/10/06

ALL DATA AND INFORMATION CONTAINED IN OR DISCLOSED BY THIS DOCUMENT IS CONFIDENTIAL AND PROPRIETARY INFORMATION OF AZTEC TENTS AND ALL RIGHTS THEREIN ARE RESERVED BY AZTEC TENTS. THE RECIPIENT AGREES THAT THIS MATERIAL AND INFORMATION CONTAINED HEREIN IS HELD IN CONFIDENCE AND IN TRUST AND WILL NOT BE COPIED, REPRODUCED WHOLE OR IN PART, NOR ITS CONTENTS REVEALED IN ANY MANNER TO OTHERS, WITHOUT THE WRITTEN CONSENT OF AZTEC TENTS. THIS AGREEMENT TO MEET THE SPECIFIC PURPOSE FOR WHICH IT WAS DELIVERED.

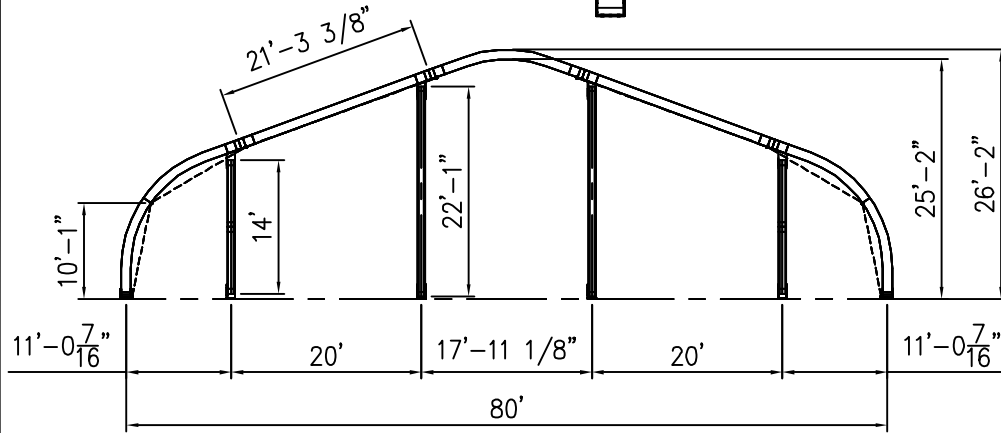
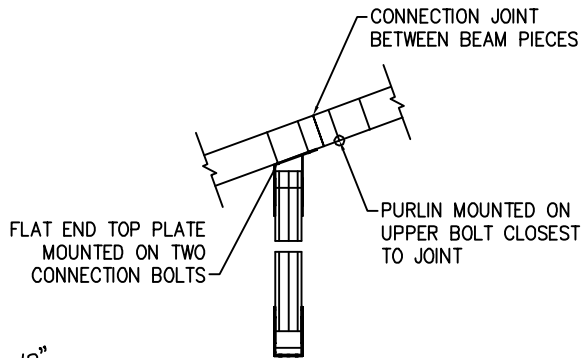
CHECKED	041006	1100
ENGINEER	CM	
DRAWN	KT	
DATE	04/10/06	



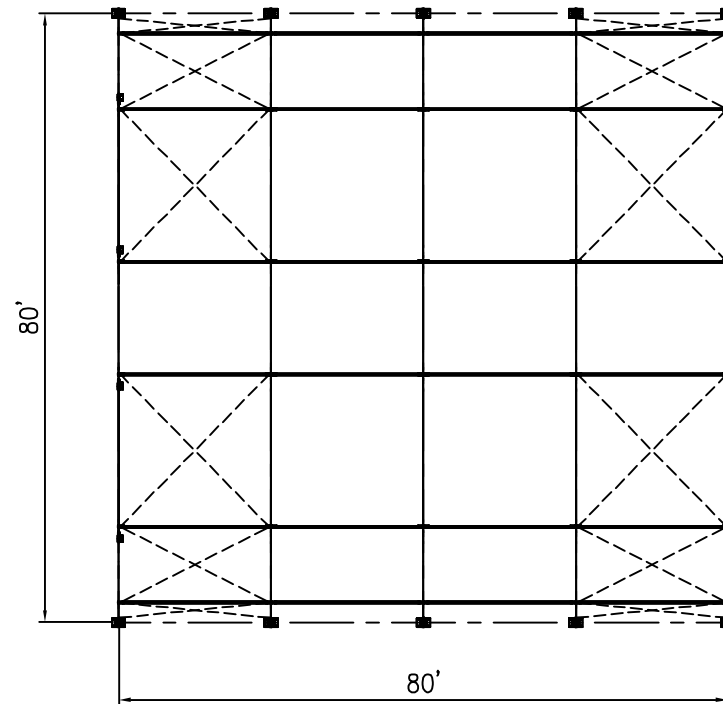
ISOMETRIC ELEVATION



SIDE ELEVATION



FRONT ELEVATION



PLAN ELEVATION



480 ALASKA AVE. TORRANCE, CA. 90503  
(800) 228-3687 - FAX (310) 381-0722

STANDARD

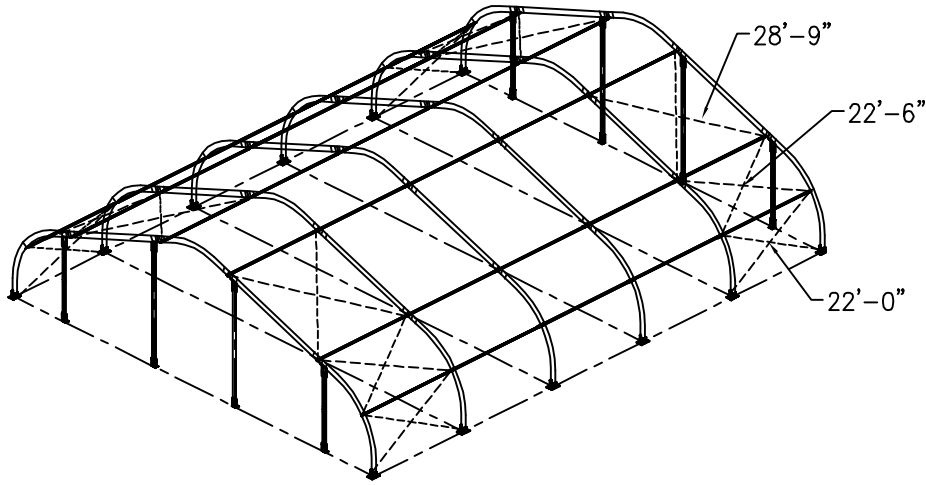
MAXI BEAM STRUCTURE / STANDARD  
80' W x 80' L x 20' BAYS

REV	0
DRAWING NUMBER	MAXI
SIZE	AZ-80x80x20-MAXI
PART DESCRIPTION	MAXI

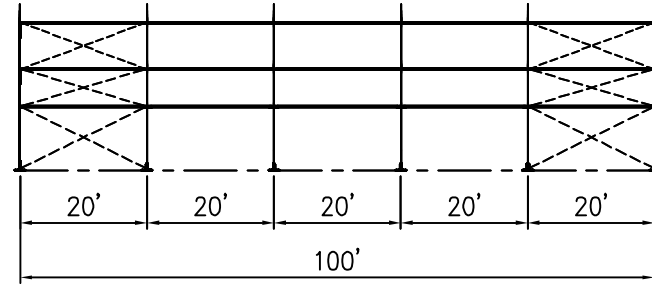
ENGINEER	CM
DRAWN	KT
DATE	04/10/06

ALL DATA AND INFORMATION CONTAINED IN OR DISCLOSED BY THIS DOCUMENT IS CONFIDENTIAL AND PROPRIETARY INFORMATION OF AZTEC TENTS AND ALL RIGHTS THEREIN ARE RESERVED BY AZTEC TENTS. THE RECIPIENT AGREES THAT THIS MATERIAL AND INFORMATION CONTAINED HEREIN IS HELD IN CONFIDENCE AND IN TRUST AND WILL NOT BE COPIED, REPRODUCED WHOLE OR IN PART, NOR ITS CONTENTS REVEALED IN ANY MANNER TO OTHERS, WITHOUT THE WRITTEN CONSENT OF AZTEC TENTS. THIS DOCUMENT IS TO MEET THE SPECIFIC PURPOSE FOR WHICH IT WAS DELIVERED.

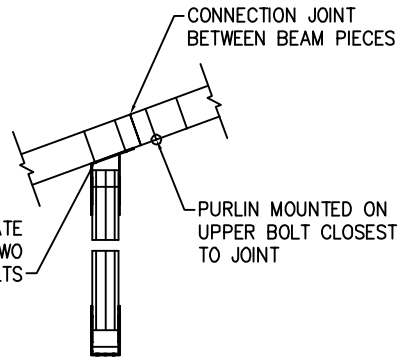
CHECKED	041006	1115
ENGINEER	CM	
DRAWN	KT	
DATE	04/10/06	



ISOMETRIC ELEVATION



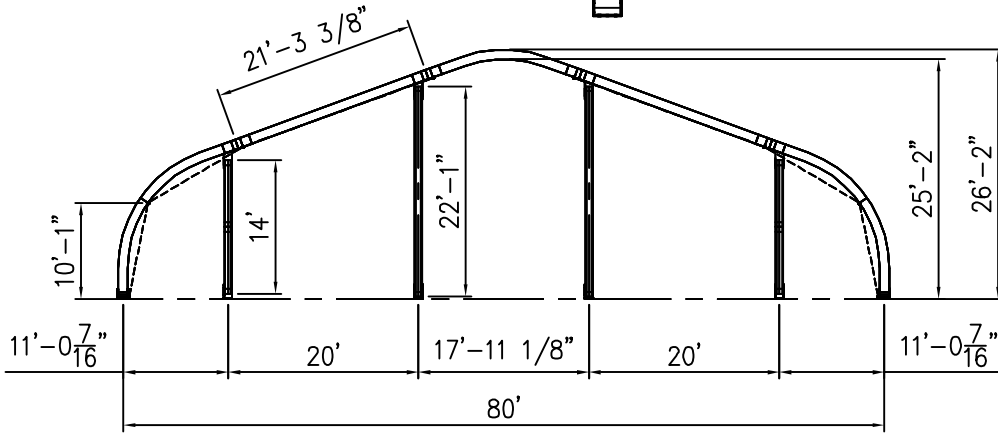
SIDE ELEVATION



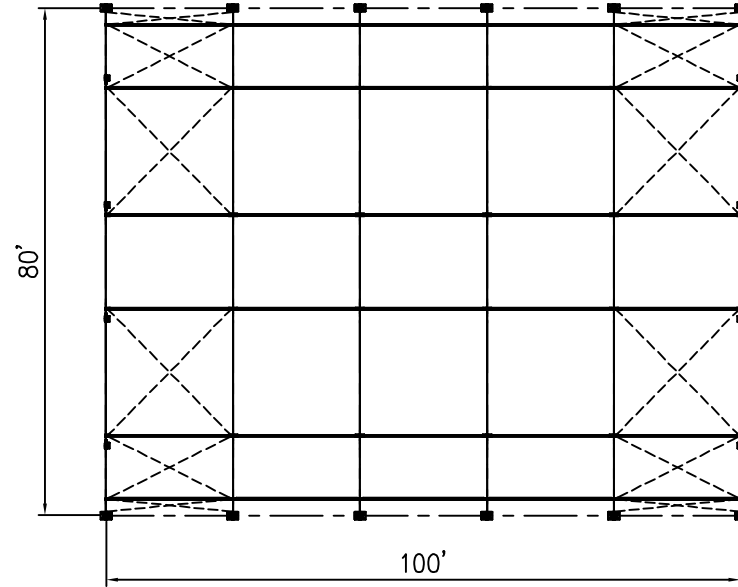
FLAT END TOP PLATE MOUNTED ON TWO CONNECTION BOLTS

CONNECTION JOINT BETWEEN BEAM PIECES

PURLIN MOUNTED ON UPPER BOLT CLOSEST TO JOINT



FRONT ELEVATION



PLAN ELEVATION



480 ALASKA AVE. TORRANCE, CA. 90503  
(800) 228-3687 - FAX (310) 381-0722

STANDARD

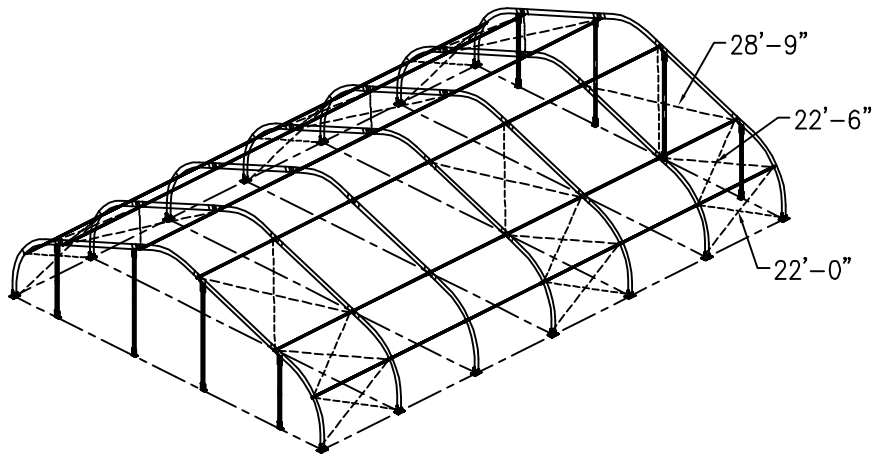
MAXI BEAM STRUCTURE / STANDARD  
80'W x 100'L x 20' BAYS

REV	0
DRAWING NUMBER	MAXI
SIZE	AZ-80x100x20-MAXI
PART DESCRIPTION	MAXI

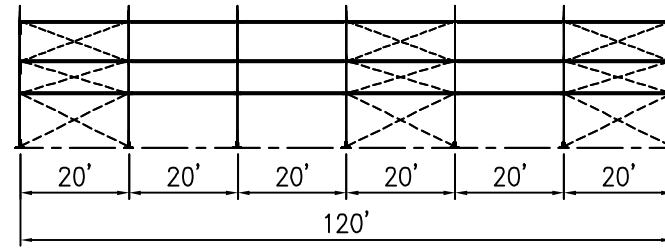
ENGINEER	CM
DRAWN	KT
DATE	04/10/06
CHECKED	-
041006	1140

ALL DATA AND INFORMATION CONTAINED IN OR DISCLOSED BY THIS DOCUMENT IS CONFIDENTIAL AND PROPRIETARY INFORMATION OF AZTEC TENTS AND ALL RIGHTS THEREIN ARE RESERVED BY AZTEC TENTS. THE RECIPIENT AGREES THAT THIS MATERIAL AND INFORMATION CONTAINED HEREIN IS HELD IN CONFIDENCE AND IN TRUST AND WILL NOT BE COPIED, REPRODUCED WHOLE OR IN PART, NOR ITS CONTENTS REVEALED IN ANY MANNER TO OTHERS, WITHOUT THE WRITTEN CONSENT OF AZTEC TENTS. THIS DOCUMENT IS TO MEET THE SPECIFIC PURPOSE FOR WHICH IT WAS DELIVERED.

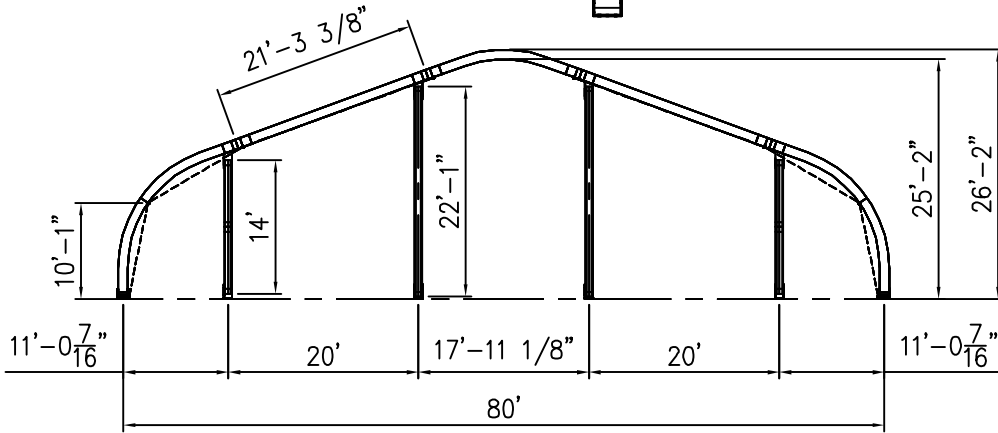
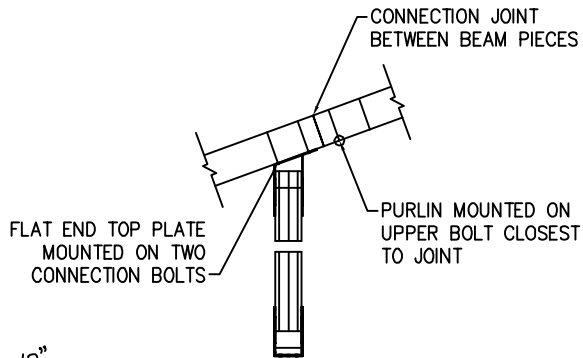
MX\BUILDING\80-W\80x100x20



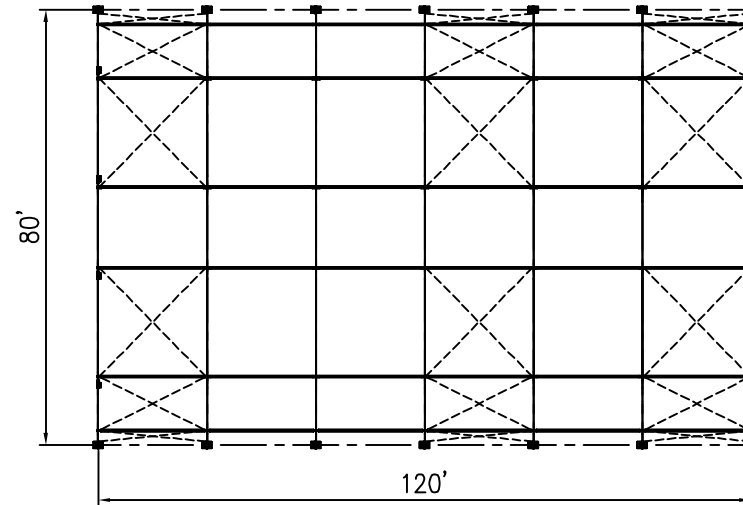
ISOMETRIC ELEVATION



SIDE ELEVATION



FRONT ELEVATION

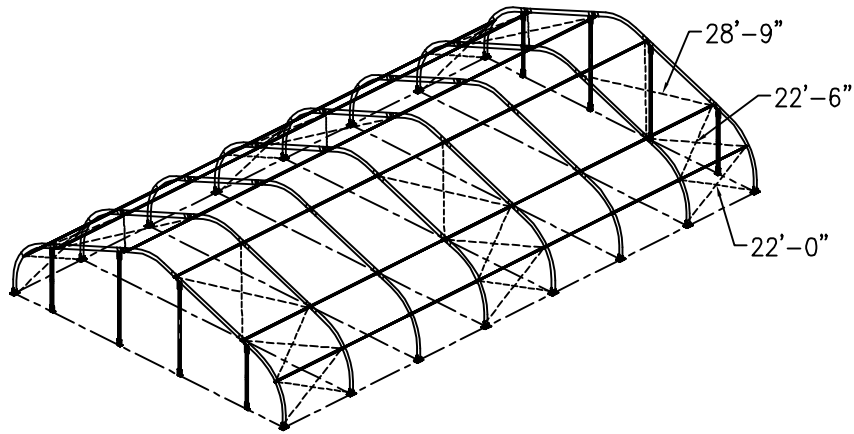


PLAN ELEVATION

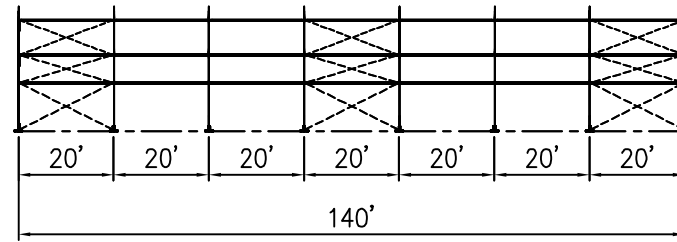
STANDARD	
MAXI BEAM STRUCTURE / STANDARD	
80'W x 120'L x 20' BAYS	
PART DESCRIPTION	DRAWING NUMBER
MAXI	AZ-80x120x20-MAXI

<b>AZTEC</b>	
480 ALASKA AVE. TORRANCE, CA. 90503 (800) 228-3687 - FAX (310) 381-0722	
ENGINEER	DATE
CM	04/10/06
DRAWN	KT

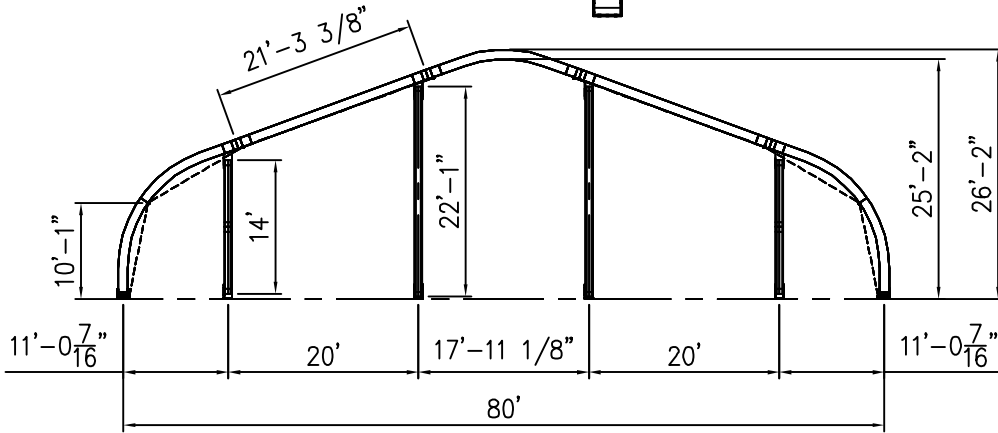
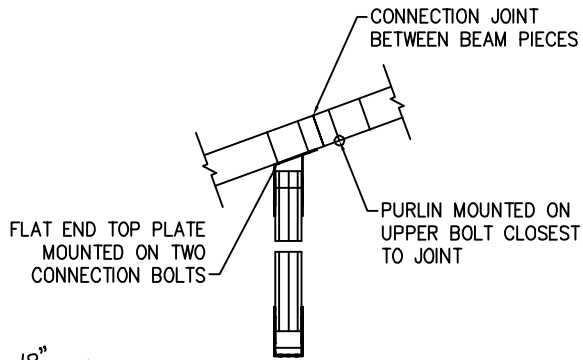
ALL DATA AND INFORMATION CONTAINED IN OR DISCLOSED BY THIS DOCUMENT IS CONFIDENTIAL AND PROPRIETARY INFORMATION OF AZTEC TENTS AND ALL RIGHTS THEREIN ARE RESERVED BY AZTEC TENTS. THE MATERIAL AND INFORMATION CONTAINED HEREIN IS HELD IN CONFIDENCE AND IN TRUST AND WILL NOT BE COPIED, REPRODUCED WHOLE OR IN PART, NOR ITS CONTENTS REVEALED IN ANY MANNER TO OTHERS, WITHOUT THE WRITTEN CONSENT OF AZTEC TENTS. THIS AGREEMENT IS TO MEET THE SPECIFIC PURPOSE FOR WHICH IT WAS DELIVERED.	CHECKED	1200
	041006	1200
MX\BUILDING\80-W\80x120x20		



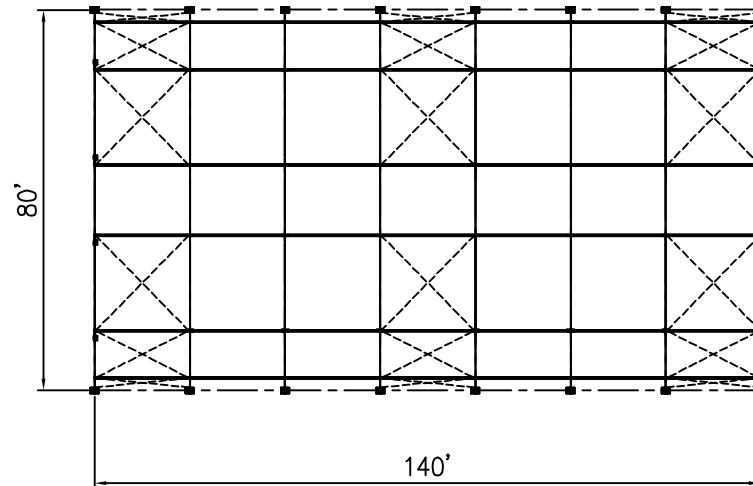
ISOMETRIC ELEVATION



SIDE ELEVATION



FRONT ELEVATION



PLAN ELEVATION



480 ALASKA AVE. TORRANCE, CA. 90503  
(800) 228-3687 - FAX (310) 381-0722

STANDARD

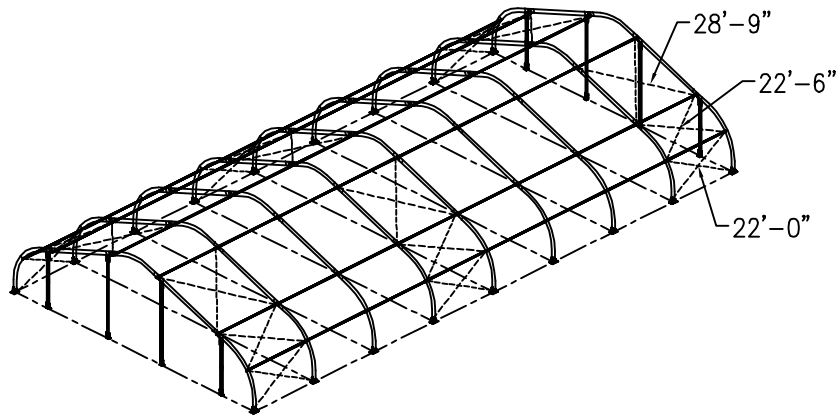
MAXI BEAM STRUCTURE / STANDARD  
80'W x 140'L x 20' BAYS

REV	0
DRAWING NUMBER	MAXI
SIZE	AZ-80x140x20-MAXI
PART DESCRIPTION	MAXI

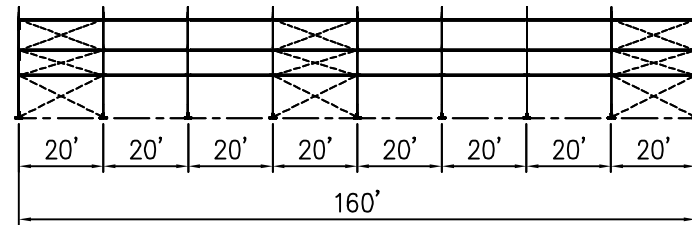
ENGINEER	CM
DRAWN	KT
DATE	04/10/06

ALL DATA AND INFORMATION CONTAINED IN OR DISCLOSED BY THIS DOCUMENT IS CONFIDENTIAL AND PROPRIETARY INFORMATION OF AZTEC TENTS AND ALL RIGHTS THEREIN ARE RESERVED. THE RECIPIENT AGREES THAT THIS MATERIAL AND INFORMATION CONTAINED HEREIN IS HELD IN CONFIDENCE AND IN TRUST, AND WILL NOT BE COPIED, REPRODUCED WHOLE OR IN PART, NOR ITS CONTENTS REVEALED IN ANY MANNER TO OTHERS, WITHOUT THE WRITTEN CONSENT OF AZTEC TENTS, OR TO MEET THE SPECIFIC PURPOSE FOR WHICH IT WAS DELIVERED.

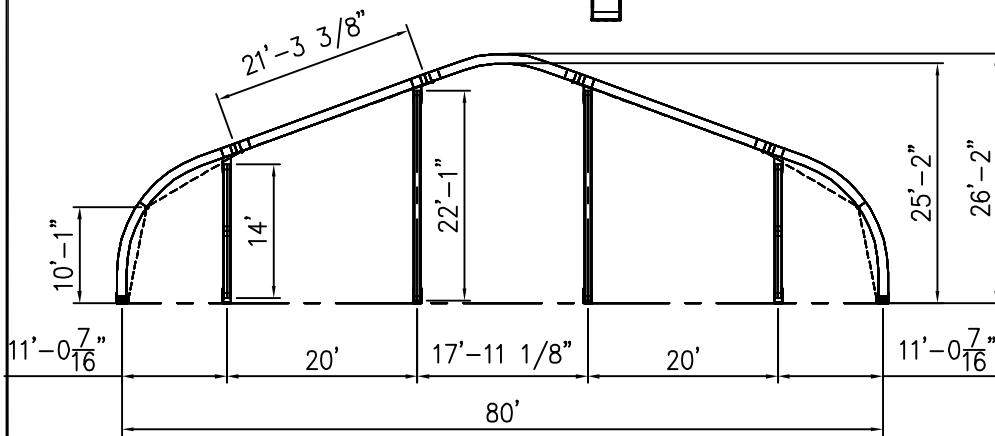
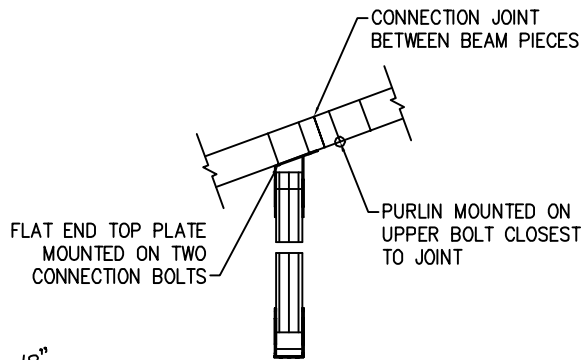
CHECKED	-
041006	1200
MX\BUILDING\80-W\80x140x20	



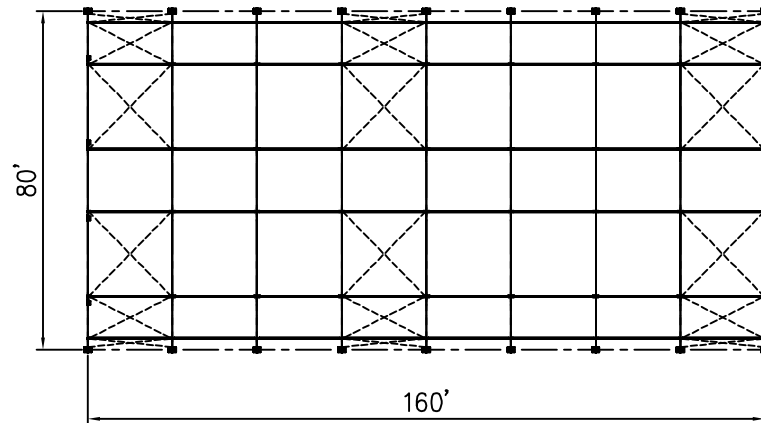
ISOMETRIC ELEVATION



SIDE ELEVATION



FRONT ELEVATION



PLAN ELEVATION

STANDARD	
MAXI BEAM STRUCTURE / STANDARD 80' W x 160' L x 20' BAYS	
PART DESCRIPTION	DRAWING NUMBER
MAXI	AZ-80x160x20-MAXI

<b>AZTEC</b>	DRAWN	DATE
2685 COLUMBIA ST. TORRANCE, CA. 90503 (800) 228-3687 - FAX (310) 361-0722	CM	04/10/06
ENGINEER	CHECKED	1515

ALL DATA AND INFORMATION CONTAINED IN OR DISCLOSED BY THIS DOCUMENT IS CONFIDENTIAL AND PROPRIETARY INFORMATION OF AZTEC TENTS AND ALL RIGHTS THEREIN ARE RESERVED. NO PART OF THIS DOCUMENT OR INFORMATION CONTAINED HEREIN IS TO BE REPRODUCED OR TRANSMITTED IN ANY FORM OR BY ANY MEANS, ELECTRONIC OR MECHANICAL, INCLUDING PHOTOCOPYING, RECORDING, OR BY ANY INFORMATION STORAGE AND RETRIEVAL SYSTEM, WITHOUT THE WRITTEN PERMISSION OF AZTEC TENTS. THIS DOCUMENT AND INFORMATION CONTAINED THEREIN IS HELD IN CONFIDENCE AND IN TRUST AND WILL NOT BE COPIED, REPRODUCED WHOLE OR IN PART, NOR ITS CONTENTS REVEALED IN ANY MANNER TO OTHERS, WITHOUT THE WRITTEN PERMISSION OF AZTEC TENTS. THIS ACCEPTS TO MEET THE SPECIFIC PURPOSE FOR WHICH IT WAS DELIVERED.