

# PRODUCT MANUAL



*If YOU can IMAGINE it... WE can BUILD it*

## SERIES 1200

# **WARNING**

This tent product is not intended to be used as a shelter from severe weather. Evacuate immediately if threatening weather occurs (or is forecasted) or any condition arises concerning the safe use of this product. Threatening weather includes electrical storm systems, moderate to high wind (excess of 38mph), heavy rains, snow, or any condition that raises any doubt to the structural integrity of the tent

# **CAUTION**

The installation of electrical, plumbing, lighting, appliances and/or HVAC equipment are not covered within this manual. Users/Installers shall follow local code requirements for the installation of these items using certified personnel. AztecTents shall be indemnified and held harmless from any such use or injury resulting from its use.

## Important Safety Information

Proper personnel safety equipment should be worn at all times during the installation of any tenting products.

Hard Hat

Safety Glasses

Work Gloves

Long Pants

Steel Toe Boots

OSHA Approved Harness and restraint system (for off ground activities)



Thank you for your recent purchase from Aztec Tents. The following procedures will help you through your installation. If you ever run into problems with the installation of your Aztec Tent give one of our sales/service professionals a call. Other product specific information, contact information, diagrams, and other operational support is available on our web site at [www.aztectent.com](http://www.aztectent.com).

## Contents

---

General Care & Guidelines	
General Fabric Care & Maintenance	4
General Hardware Care & Maintenance	5
Fabric Flame Retardant Information	5
Anchoring	5
Pre-Installation Guidelines	6
General Installation Guidelines	6
Post Installation Guidelines- Maintenance	6
Safety & Evacuation Planning	7
General Take Down/Removal Guidelines	7
Special Care for Unsupported Clear Fabric	7
Other Resources	8
Tools Required for Installation	8
Optional Items & Accessories Available	8
Installation Procedure	9-13
Diagrams	14-16
Parts & Accessory Images	17
Engineering Specifications	18-21
Components	22

## Questions? Call us.

### Aztec Tents

2665 Columbia Street  
Torrance, CA 90503 USA  
Direct (310) 347-3010  
Toll Free (800) 228-3687  
Fax (310) 381-0722

# General Fabric Care & Maintenance

---

The vinyl fabric developed for this tent system requires specific attention during installation, cleaning, and storage to maintain its maximum life span. Please follow the following care and maintenance guidelines provided for this product.

**GROUND CLOTHS:** The usage of ground covering material under the tent during installation and dismantle will protect the tent fabric from soiling and from minor surface abrasions. A ground cloth can also help keep the tent top dry if the ground surface ( i.e. dirt, grass, etc.) is wet during the installation or dismantle.

**MILDEW TREATMENT:** The fabric is pretreated with mildew inhibitors that help prevent the growth and spreading of mildew and fungus. Although treated, proper care should be given to prevent potential growth. If you see mildew wipe it away immediately with a clean towel and diluted soap solution. Never fold your fabric for storage if the fabric is even slightly wet. Mold/Mildew spores in the air and on the ground will come in contact with the fabric while installed. To grow, all the mildew needs is moisture and some source of food (often found in dirt that might be on the tent). Your best bet is to keep your fabric clean and dry to prevent mildew growth.

**FABRIC CLEANING:** The best way to clean the vinyl tent fabric is with a soft towel or soft bristled brush immersed in a diluted solution of warm water and our tent cleaning solution. A diluted and mixed solution of a tablespoon of traditional dish soap with a gallon of warm water will also work, but extra caution should be placed on insuring that this cleaning solution is thoroughly rinsed from the fabric, especially with clear vinyls (See special notes on working with clear vinyls).

You will need a large, smooth, flat space slightly larger than the section of fabric. This space should be covered with a ground protecting layer to avoid damaging the tent membrane when moving in the washing area. Small impediments, sharp objects and rough surfaces all have the potential to damage the membrane you are trying to clean.

Follow the instructions for the proper dilution ratio of your cleaning product. Apply the diluted solution directly to the fabric using 1) a towel immersed in the solution, or 2) a spray bottle or larger pressurized spraying apparatus to evenly cover the fabric with the solution. Let this sit on the fabric for about one minute to allow the mixture to penetrate the fabric. Using a soft towel or soft bristled polypropylene brush (some can be mounted to a long handle to allow you to stand while working), gently work the cleaner into the fabric using only mild pressure. While harder bristled brushes can work, they will end up microscopically scratching the fabric, potentially permanently damaging the fabric and making it harder to clean the next time. The process of hand cleaning the fabric will allow you to apply only enough diluted solution to get the fabric clean. This will help limit the amount of water placed on the fabric to expedite drying time. Never allow the tent cleaner to dry on the fabric. For this reason, larger tents might be better to clean in sections. Once the cleaning is complete be sure to rinse away any cleaning solution completely from the tent membrane.

Full immersion of the fabric in water is not recommended. The use of commercial front loading or top loading washing machines is not recommended and will void the warranty of the fabric. These machines cause an excessive amount of stress to the fabric and can force water into the fabric causing increased occurrences of mildew growth and shorten the life of the fabric. As with any cleaning, the fabric should be hung to dry completely before folding and storage. Cleaners that include chlorine bleach, and/or any petroleum based solvents will degrade the fabric, discolor the fabric and shorten its life span.

If you have a difficult stain that cannot be removed with traditional cleaning, please consult with your sales person before trying any other chemicals that might end up damaging the material further. Do not use other chemicals or cleaners unless instructed by your sales professional.

**FABRIC DRYING:** The best way to dry the vinyl tent fabric is to hang-dry in a low humidity environment. Circulating air around the surface of the hanging fabric with the use of fans will also speed the drying process and improve drying time in more humid environments. Please also assure that subassemblies and other components within the tent system are dry before folding. These subassemblies can be reinforcements, lace lines, webbing, rope, thread, and/or any other part that is permanently affixed to the main tent membrane. The use of commercial drying equipment and any drying using heat will void the warranty of the fabric. **DO NOT STORE YOUR FABRIC WET.** Fabric folded and stored wet will mildew.

**TENSIONING:** Do not over tension your tent fabric during installation, use, or removal. Over tensioning can cause permanent damage to the tent membrane. The most obvious sign of over tensioning would be stress wrinkles at the tension points. Be sure to confirm that your frame/pole components match the tent design. In cases where the ground is not level, over tensioning is possible by trying to force the tent to dimension.

**STORAGE RECOMMENDATIONS:** The fabric for the tent system shall be stored dry in a cool, dry place in the protective storage bags included with your purchase. Other types of bags are acceptable as long as they can protect the fabric from the environmental elements of the storage area.

**INSPECTION:** Prior to each use, each component of the tent system needs to be thoroughly inspected to assure its structural stability has not been compromised. Fabric components that are ripped, torn, frayed, or damaged shall be immediately replaced and not used. Structural components of the fabric membrane are the most critical including but not limited to the main fabric membrane, structural reinforcements and webbing, web termination plates/rings/fasteners, and connection points from fabric panel to fabric panel or connection points between the fabric panel and the hardware support system.

# General Hardware Care & Maintenance

---

The hardware components developed for this tent system requires specific attention during installation, cleaning, and storage to maintain its maximum life span. Please follow the following care and maintenance guidelines provided for this product.

**OXIDATION:**The hardware components for this tent system have been supplied to you with specialty coatings to help limit oxidation. With usage, these coatings will need to be maintained in order to limit oxidation and for the product reach its full intended lifespan. With plated or powder coated steel components, any rust should be removed immediately with a stiff wire brush and sprayed with either a galvanizing spray or durable paint to seal the steel from the elements. Anodized aluminum components will get scratched over time and these scratched areas can develop a thin black oxidation common with mill finish aluminum. This black oxidation can cause staining to any fabric components that come in contact with the pole/component. Your best preventative measure will be to avoid scratching of the anodized coating by avoiding any sharp edges that might be come in contact with the aluminum member.

**HARDWARE CLEANING:** It is very important to keep your hardware components clean and free of dirt, oxidation, and other chemicals especially if those hardware components come into contact with any fabric components during installation, use, or take-down of your product. Any dirt, oxidation, or chemical on the surface of the hardware member can transfer the contaminant to the fabric causing permanent staining, or permanent damage to the fabric membrane. If hardware components are found to be soiled, wipe down immediately to remove the foreign matter.

**STORAGE RECOMMENDATIONS:**The hardware for the tent system shall be stored dry in a cool, dry place. Anodized aluminum component can be stored outside, but should be covered to prevent foreign matter from collecting on the components that might stain or damage the fabric membrane during installation or use. Any/all steel components shall be stored indoors in a dry/low humidity environment.

**INSPECTION:** Prior to and after each use, each component of the tent system needs to be thoroughly inspected to assure its structural stability has not been compromised. Hardware components that are bent, cracked, frayed, or damaged shall be immediately replaced and not used. Specific attention should be paid toward any devices used for anchoring including ratchets, ropes, cables, and web straps.

## Fabric Flame Retardancy

---

All vinyl fabric used in the production of our tents, walls, and accessories are certified flame retardant per per NFPA 701, Canadian CAN-ULC-S109-03, British Standard BS 7837:1996, and are registered with the California State Fire Marshal. These vinyl products are produced so that they are inherently flame retardant, and thus will never require additional applications of flame retardant chemicals.

Every section of fabric produced by AztecTents contains a label identifying its flame resistance characteristics and date produced. This label matches a hard copy of the flame certificate that is mailed to you after receipt of your goods.

If at any time you need to be issued a duplicate flame certificate, you can request one from our customer service representatives. Please be sure to have the invoice number and date of production available when requesting duplicate flame certificates.

## Anchoring

---

All anchoring locations must be laid out accurately as described in the manual and diagrams contained within (in advance of laying out the fabric) to a tolerance of  $\pm 4"$  in any direction (right or left, forward or back, up or down, etc.) All column base locations must be laid out to a tolerance of  $\pm 3"$  in any direction for any standard supported tents and within a tolerance of  $\pm .5"$  for any product utilizing keder channels.

A wide variety of ground anchoring devices are commonly used. Soil conditions and resulting ground anchor holding capacities vary from site to site, and can vary within a particular site. The Owner and/or Installer of the tent is fully responsible for assuring that the selection and installation of the anchoring devices is adequate to resist the pull out loads specified in the product manual.

Reduced anchor performance can occur under wet soil conditions and needs to be accounted for. Care should be taken that water is not allowed to drain or collect near anchors.

Anchoring device holding capacity can be developed using a single large device, or by using multiple smaller devices.

Ensure that the anchors installed are adequate to resist the pull out loads shown. Actual testing of some individual anchors to 75% of the anchor pull-out load is recommended.

Additional installation and anchoring information entitled "The IFAI Procedural Handbook For The Safe Installation And Maintenance Of Tentage" is published by the Tent Rental Division of the Industrial Fabric Association International (IFAI).

# Pre-Installation Guidelines

---

Correct field installation of this tent system requires diligence and considerable skill and expertise which can be obtained only through the proper field training and experience of a professional rental tent supervised installation crew. This is instrumental to obtaining the optimal structural behavior of the tent.

- Obtain any required permits or inspections needed by local codes and regulations.
- Clear the site to prepare for the planned activity.
- Check for sub grade utilities before installing any anchoring devices.
- Check for any overhead obstructions that might interfere with the tent installation. Do not install any tent within 50' of any overhead utilities, power lines, or other obstructions. Installation under or within close proximity to trees should be avoided.
- Locate the public circulation routes with clearance from anchors around the exterior of the site. Identify clearly.
- Use drop cloths to prevent soiling or damaging the fabric membrane.
- Pad and tape objects with sharp projections which will remain on site under the tent.
- Cover any sharp edges on anchoring devices with protective material

# General Installation Guidelines

---

Each component of the tent should be inspected at the beginning of installation for visual signs of damage by the installer. All damaged materials should be repaired or replaced immediately.

The weather should be carefully considered by the Owner and/or the Installer before raising the tent since the hardware and fabric cannot transmit design wind loads or shed rainwater loads (potential ponding) when it is not fully anchored, installed, and/or tensioned. It is recommended that installation or removal of the fabric members be performed when the wind speed is less than 15 mph. The decision to raise or lower the fabric of the tent should be the responsibility of the experienced rental tent installation supervisor based upon conservative life safety considerations and judgement.

Adequate and appropriate installation and maintenance procedures are necessary to achieve and sustain full design load capability for the tent. The Owner and/or Installer are fully responsible for assuring that the tent is properly installed and maintained.

Certification of this tent structure is valid only with the use of AztecTent supplied and assured components or those which meet or exceed the requirements of the design throughout the installation of this structure, with the exception of the anchoring devices which must be determined by the installation engineer.

# Post Installation Guidelines/ Maintenance

---

Each component of the tent should be inspected at the end of installation for visual signs of damage by the installer. Additionally, an inspection should be performed after any severe weather/wind events that might have affected the overall integrity of the design. All damaged materials should be repaired or replaced immediately.

A variety of material and weather factors can result in fabric stretch, web belt stretch, rope stretch, mast base settling, changes to design geometry, etc. Changes to the design geometry of the tent and consequently the structural performance characteristics of the tent, can occur while the tent is in service and not attended by the professional installer. It is recommended that a maintenance agreement be arranged between the Client/User of the tent and the Installer involving periodic inspections and adjustments.

If rainwater ponding occurs at any point on the fabric, evacuate the tent, remove the water, and adjust the tie back rope/web prestress tension and/or fabric tensioning over the frame back to its design geometry to achieve positive drainage.

It is understood and expected that some damage to the fabric membrane and/or non structural components may occur in conditions below the overall design wind velocity rating of the tent system. This damage may result in components requiring repair or replacement as necessary.

# Safety & Evacuation Planning

It is the responsibility of the Owner and/or the Installer to warn the User and or Occupants of the tent system that this product is not intended to be used as a shelter from severe weather. Aztec assumes no liability for such use. An evacuation and communication plan for the area covered within this tented space is imperative and shall be thoroughly communicated to all users and potential occupants of the tent. Severe weather including electrical storm systems, moderate to severe wind, heavy rains, snow, or any condition that raises any doubt to the structural integrity of the tent are immediate signs that an evacuation is necessary. Severe bodily injury and/or death can occur. A best practices document published by the American Rental Association covering this topic can be downloaded at: <http://aztectent.com/resources/documents>

Common signs that warrant the immediate evacuation of this tent:

- Any movement, displacement, or failure of any of the anchoring devices or support hardware.
- Any component failure in part or whole
- Any tear or puncture in the fabric membrane
- Any forecasted moderate to severe weather condition
- Any collection or accumulation of snow or ice on the tent
- Strong winds causing movement and/shifting of the tent or tent support structure
- Strong winds causing small branches to be ripped from trees
- Any lightning or electrical storms
- Hail or frozen precipitation any larger than pea size
- Any fire or smoke within close proximity of the tent
- Any small of gas, exhaust, or other odor from any combustible material

In the event of forecasted severe weather, hurricane, or other such early warning, it is recommended to immediately evacuate the tent and time permitting take down the tent and remove from the site.

## General Take Down/ Removal Guidelines

The weather should be carefully considered by the Owner and/or the Installer before lowering the tent since the hardware and fabric cannot transmit design wind loads or shed rainwater loads (potential ponding) when it is not fully anchored, installed, and/or tensioned. It is recommended that installation or removal of the fabric members be performed when the wind speed is less than 15 mph. The decision to raise or lower the fabric of the tent should be the responsibility of the experienced rental tent installation supervisor based upon conservative life safety considerations and judgement.

Unless otherwise noted in the procedures that follow, the removal of this tent system shall follow the same procedures outlined but in the reverse order.

Once unassembled, each component of the system should be inspected for any signs of visual damage by the installer. All damaged materials should be marked or identified so that repair or replacement of these materials can occur prior to the next use of the product.

## Special Care For Unsupported Clear Fabric

The clear fabric used in window style sidewalls, clear sidewalls, and clear tent tops needs to be managed differently than standard tent fabric. Polyester scrim is what gives standard tent fabric its strength, stability and durability. Laminated tent fabric enjoys the benefit of encasing this woven layer of rip-stop polyester between the layers of colored vinyl film. Clear vinyl does not enjoy those benefits. Because of this, clear vinyl has a very low tolerance to ultra violet ray exposure, wind, airborne particulate matter, hot or cold temperatures, elasticity due to wind and rain and handling. Any or all of these factors will cause clear fabric to under perform when compared to traditional tent fabric.

Special attention should be paid to the cleaning of these items. Use only the softest towels when cleaning the clear membrane to avoid scratching the highly polished surface, and wipe dry to avoid water spots. Use standard diluted tent cleaning solution. **DO NOT USE OTHER CHEMICALS.**

Exposure to ultra violet rays for an extended amount of time as will occur with time over the life of the product, will cause the fabric to appear milky or opaque. Putting away and storing damp or wet clear vinyl will result in an amber hue in the clear film. Steady wind can whip clear vinyl back and forth and cause surface or through cracks in the fabric. Heat in excess of Eighty-five degrees can cause clear vinyl to change shape, bubble, shrink or stretch. Although our clear vinyl has a cold crack rating of minus fifteen degrees Fahrenheit, that rating is for a static environment. Any introduction of wind or manipulation by handling will cause failure (cracking like glass) at nominal temperatures above freezing. Airborne particulate matter will abrade the surface and cause the finish to become less translucent.

Clear tent tops are also very susceptible to water ponding as they are highly elastic. If rain is forecasted during the use of these products it is recommended to take additional precautions and more frequent inspections throughout the duration of the rainfall to inspect for potential ponding on the roof fabric. If rainwater ponding occurs at any point on the fabric, evacuate the tent, remove the water, and adjust the tie back rope/web prestress tension and/or fabric tensioning over the frame back to its design geometry to achieve positive drainage.

## Other Resources

---

American Rental Association- [www.ararental.org](http://www.ararental.org)

Tent Rental Division of The Industrial Fabric Association International- [www.tentexperts.org](http://www.tentexperts.org)

## Tools Required for Installation

---

Sledge Hammer	For driving anchoring stakes
Drop Cloths	For protecting fabric membrane
8' Ladder	General installation tool
Utility Knife	General installation tool
Tape Measure	For laying out tent dimensions
Marking Paint/Chalk	Used to mark anchoring locations and tent boundaries

## Optional Items & Accessories Available

---

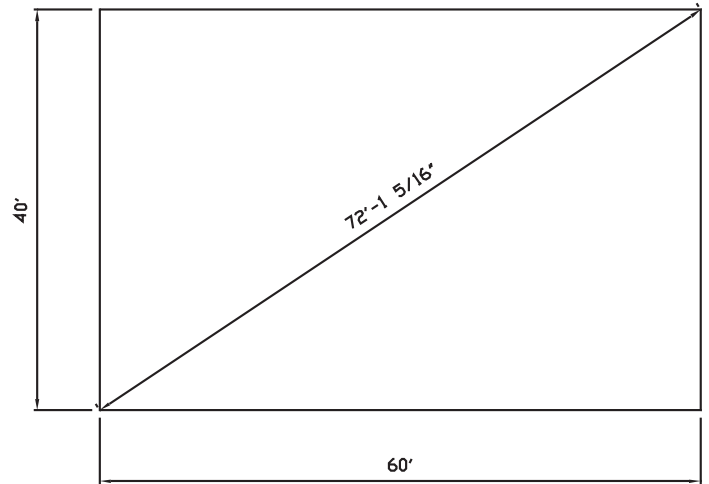
Side Wall Panels	To enclose walls of tent
Raingutters	To collect and divert water away from connecting tent entrances
Decorative Liners	To add decorative look and hide most rafter framework
Canopy Doors	To add easily accessible means of egress to and from the tent
Additional Anchors	Additional anchors used to secure the tent system
Graphics	Small logos or full digital print available



# Installation Procedure:

## Step 1:

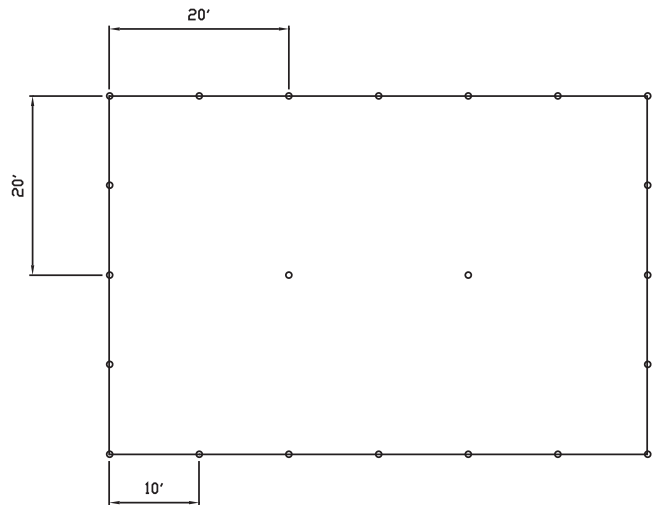
Square the tent area. To calculate your squaring dimension for your width/length combination use the formula  $A^2+B^2=C^2$ .



## Step 2:

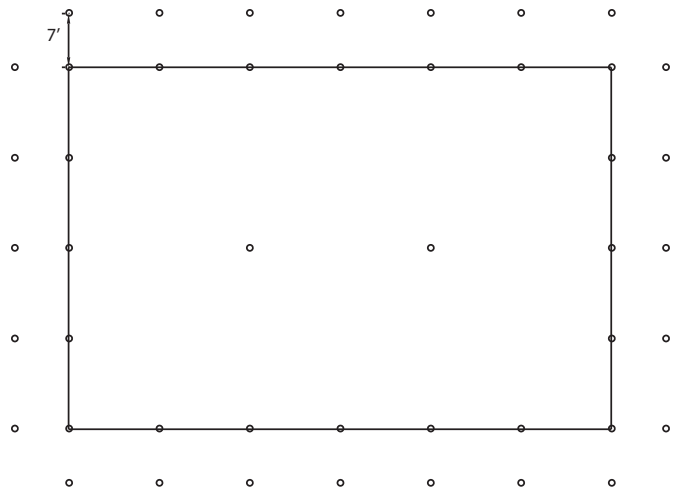
Mark on the ground with chalk or spray paint the location of the side and center poles. These locations are identified on the drawing to the right. All side poles are spaced 10' on center around the perimeter of the tent.

\*Please note that side poles on the 30' wide units and all 15' middle sections are spaced at 7'6"



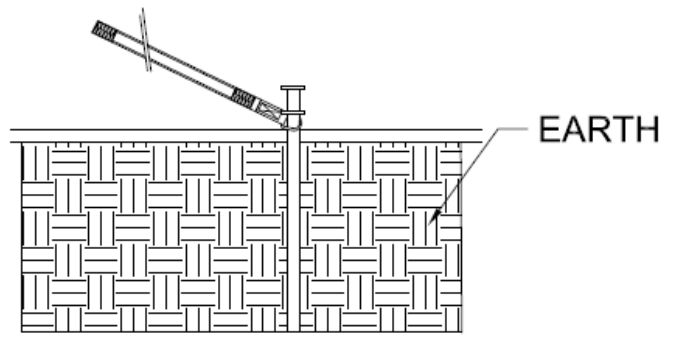
## Step 3:

Mark on the ground the location of each stake location. Stakes should be placed at a distance 1' less than the height of the side pole. (ie. if you use an 8' side pole then stake should be placed 7' from the bottom of the side pole.)



**Step 4:**

Drive the anchoring stakes. Drive the 1" double headed stake with a sledge hammer straight into the ground until the bottom head is flush with the ground. Tie the tie-down rope to the stake with a clove hitch knot or attach the tie-down ratchet to the stake as close to the ground as possible. Leave plenty of slack in the tie-down ropes or straps at this time. Adjustments will be made with the tensioning of the tent, so you will want to try to keep from tying off the knot at this time.

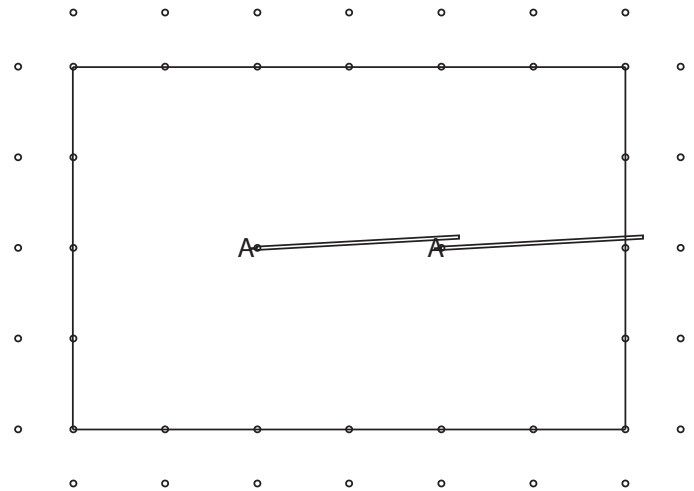


**NOTICE**

The anchoring devices included with the purchase of this tent will not be suitable for every application or ground condition. It is the installers responsibility to confirm that the anchoring devices used will support the recommended resistance load requirements specified in the appendix of this manual. Additional or different types of anchors may be needed depending on ground conditions.

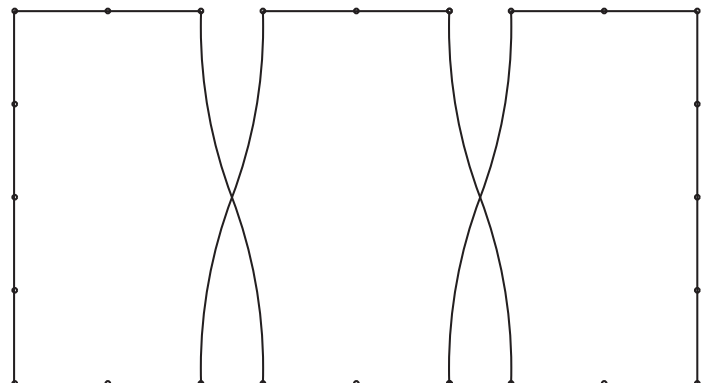
**Step 5:**

Layout a ground cloth over the ground in the tent area. This will protect the tent top fabric. Layout the center poles on top of the ground cloth. The top of each center pole shall be placed at the marked point "A"



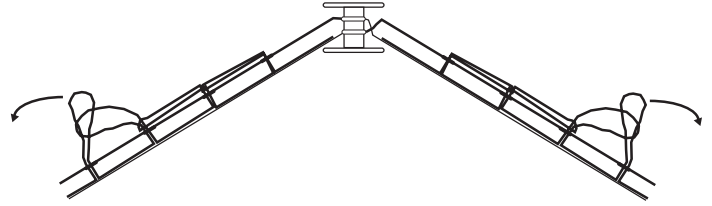
**Step 6:**

Begin laying out the tent fabric. Some tents are constructed with a one piece top while expandable versions utilize sections that are modular allowing the tent to become longer by adding more modular "middle" sections. This illustration shows a 40x60 3pc Expandable Top.



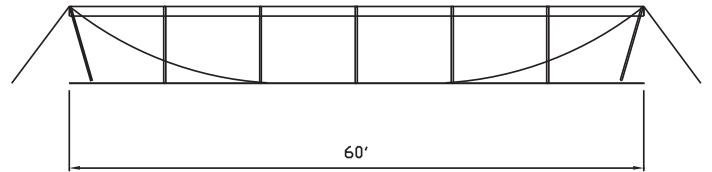
**Step 7:**

Install the 2" round ring located at the top of each tent fabric piece over the top of the center pole. The ring for the end and the ring for the middle will be placed through the pipe & flange and then slid over the center pole pin. Begin lacing the tent sections together from the center rings toward the sides. See the illustration to the right for proper lacing technique. As each Series 1200 section is combo LACE/GROMMET you will need to twist the lace line next to the center ring to allow the sections to lace together properly. As you lace the sections together, close the weather flap on the exterior of the tent as you go.



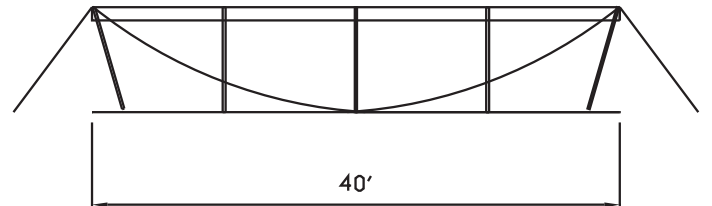
**Step 8:**

Begin installing the side poles of the tent. First insert the top fitting of the corner side pole through the ring on the corner of the tent. Attach the rope tie-down/ratchet to the leader ring on the corner leg and connect to the anchoring stake to make the pole almost vertical. Continue down the length of the tent installing side poles and attaching the tie-down ropes/ratchets to the anchoring stakes. Continue with the other long side of the tent, starting at the corner and working down the tent.



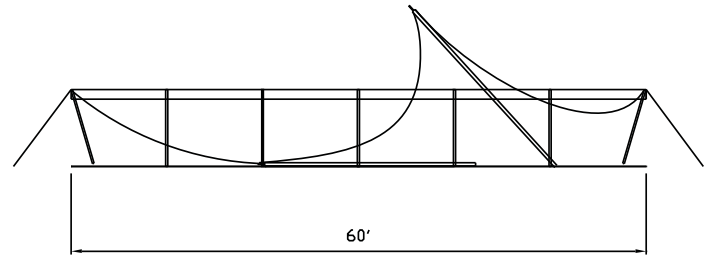
**Step 9:**

Install the side poles on the end of the tent as shown in illustration and apply slight tension to the tie-down ropes/ratchets.



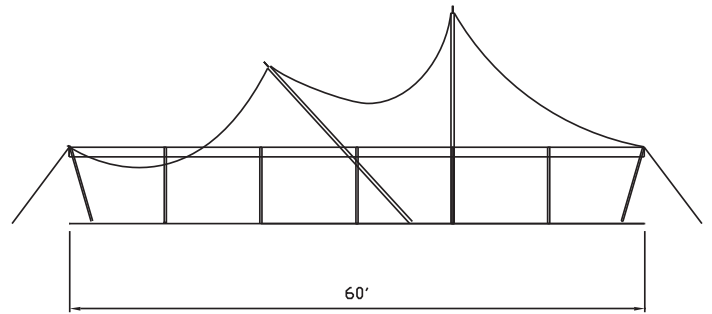
**Step 10:**

Begin raising the center poles of the tent. Manual laborers can push the center pole from its laying position. Make sure that as the center pole raises, you watch that the base of the center pole ends up at the mark placed in step 2. This is crucial to proper fit and safety of the installed unit. As you raise the first center pole the next center pole will lift slightly off the ground from tension of the tent fabric. Be sure as the center poles begin to raise the tops do not snag the tent top fabric.



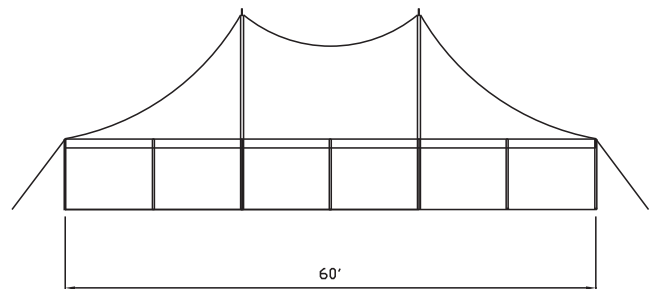
**Step 11:**

Raise remaining center pole at this time, making sure the base of each center pole rests on the mark you painted/chalked on the ground in step 2.



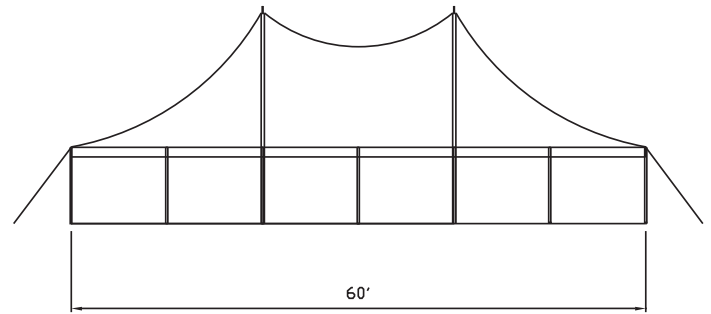
**Step 12:**

Once all center poles are installed and in proper location you can move on to step 13.



**Step 13:**

You can now straighten the side poles of the tent. Start at one corner and assure that the corner side poles is placed on the mark of the corner measured in step 1. Loosen the rope/ratchet on this first side pole and reapply tension until the corner side pole is plumb. Continue with the other three corner poles, then straighten the poles along the length of the tent. You can now apply tension to the ratchets or ropes that are located along the lace lines. Finally straighten the side poles on the end of the tent and apply tension to remaining ratchets and ropes.



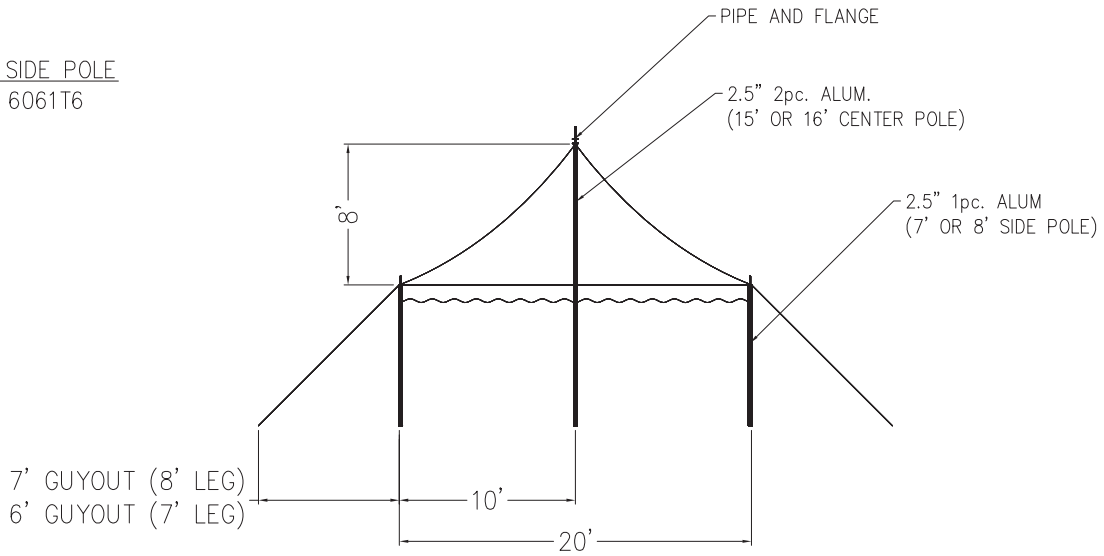
**Step 14:**

Now your tent is ready for installation of sidewalls (if required).

# 20x Series 1200 Drawings

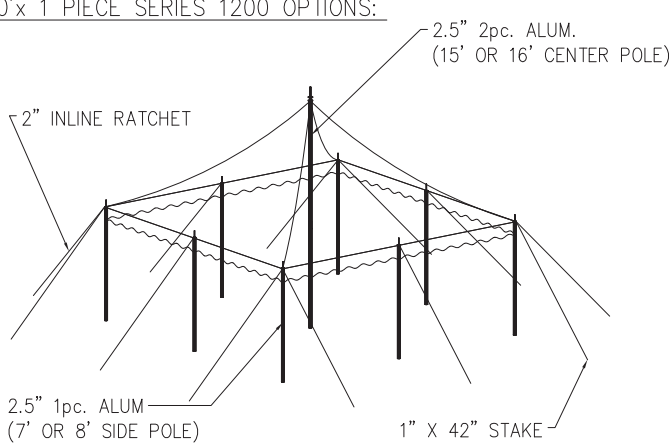


CENTER POLES & SIDE POLE  
2.5" O.D.-ALUM. 6061T6

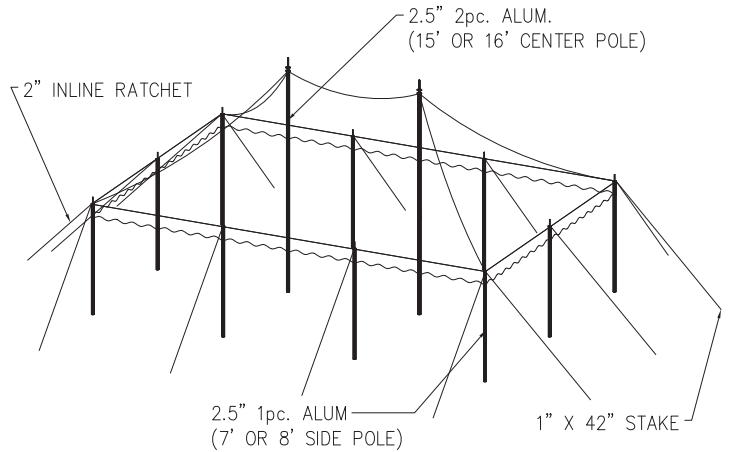


20x FRONT VIEW

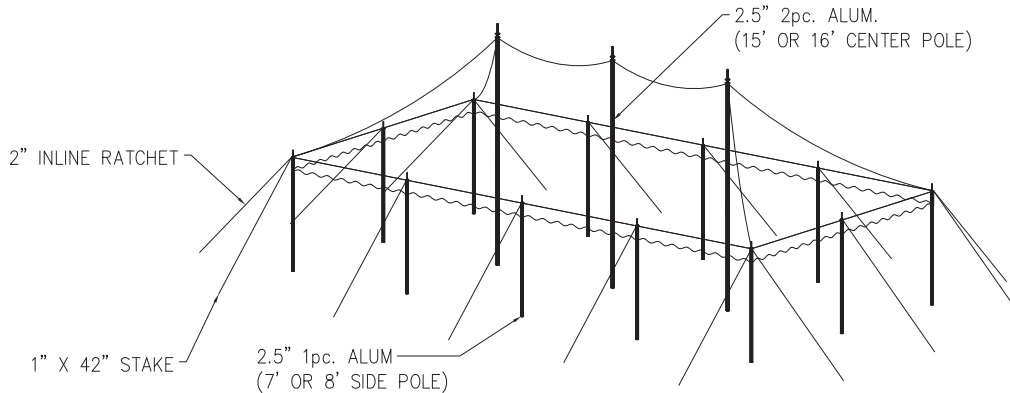
20'x 1 PIECE SERIES 1200 OPTIONS:



20x 20 1pc. SERIES 1200

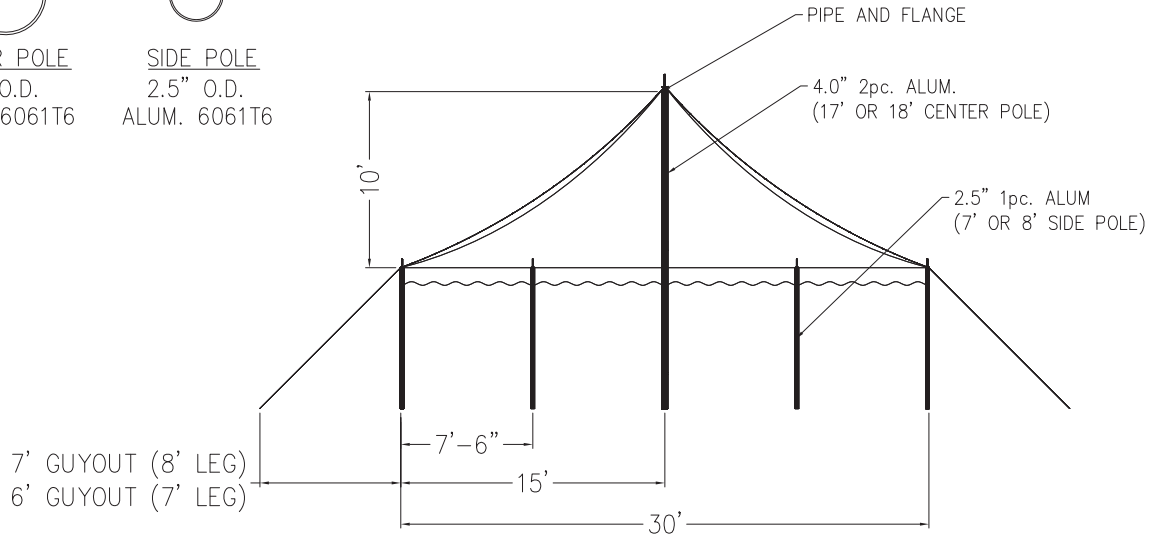
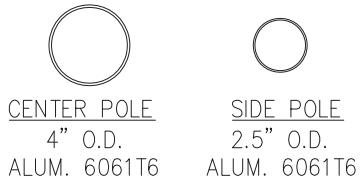


20x 30 1pc. SERIES 1200



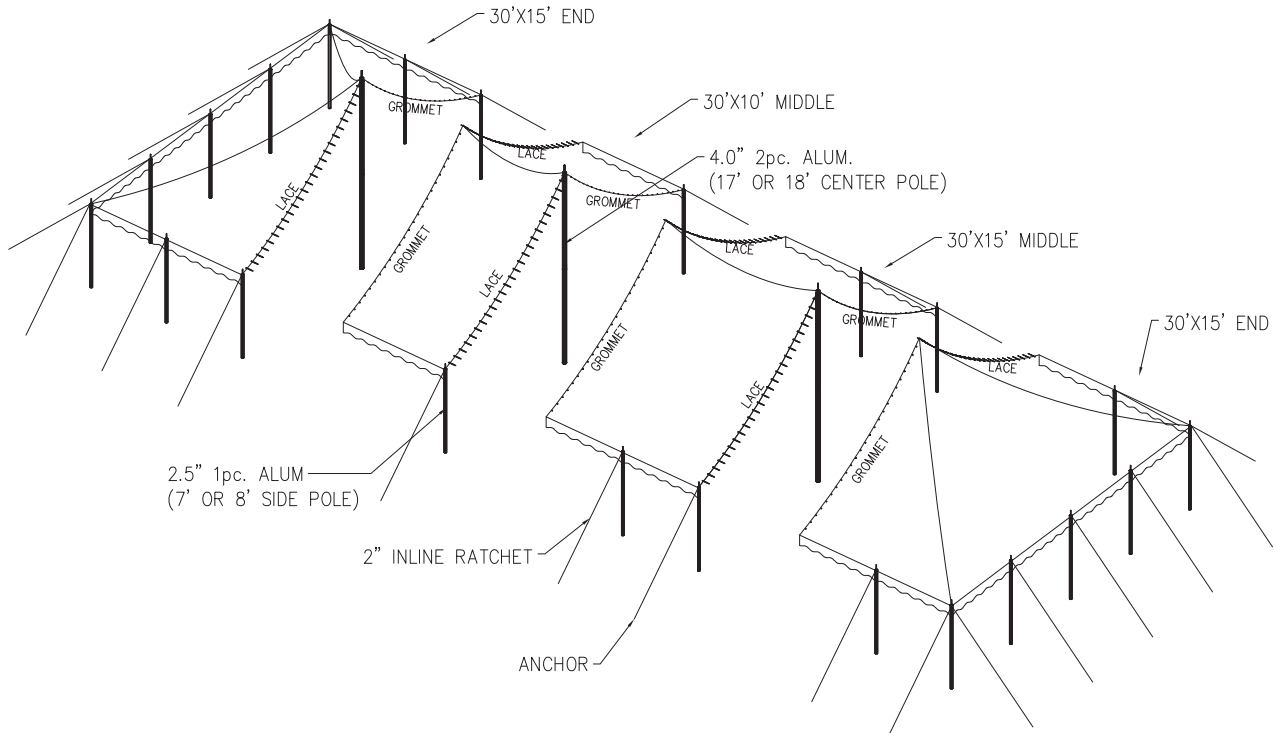
20x 40 1pc. SERIES 1200

# 30x Series 1200 Drawings



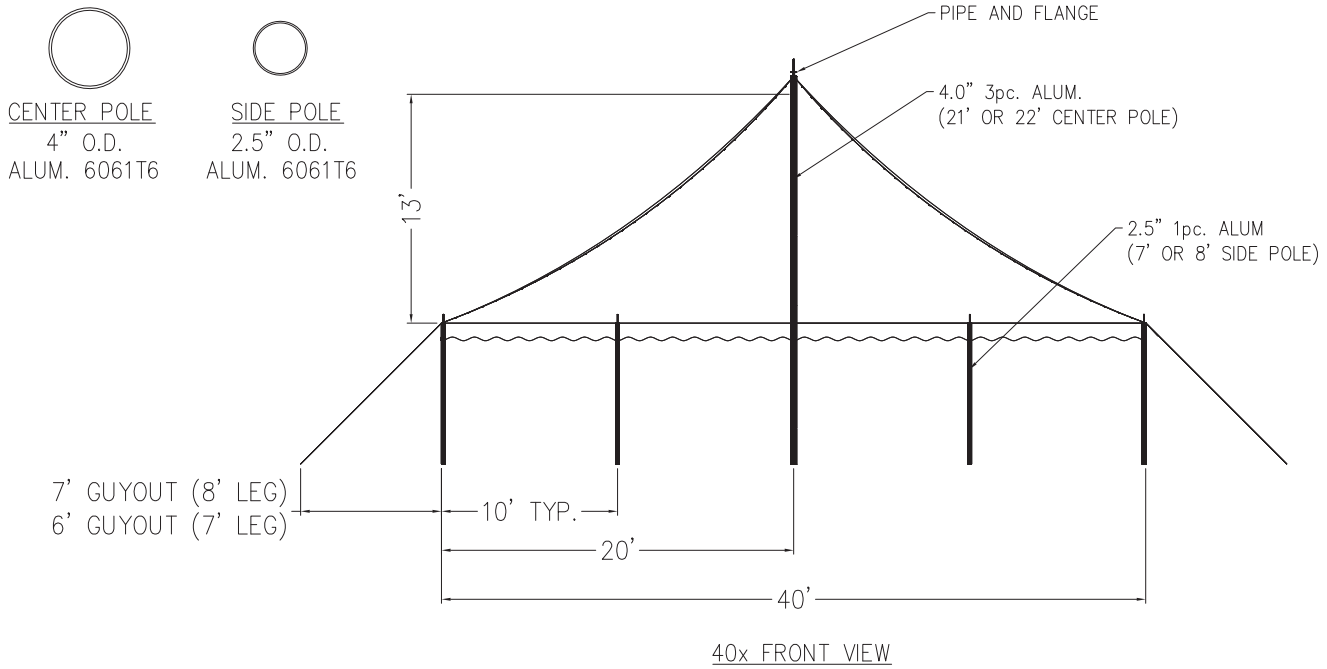
30x FRONT VIEW

USE DESIRED MIDDLES TO REACH REQUIRED LENGTH

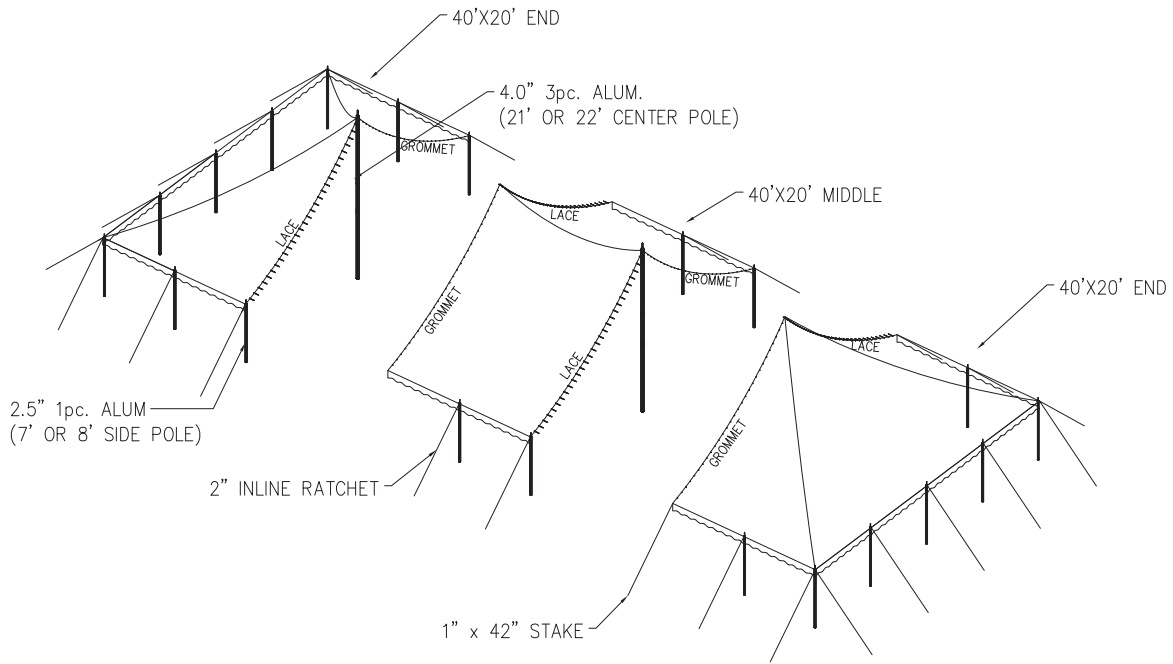


30x EXPANDABLE SERIES 1200

# 40x Series 1200 Drawings



USE DESIRED MIDDLES TO REACH REQUIRED LENGTH



**40x EXPANDABLE SERIES 1200**



# Parts & Accessories



2.5" 1pc Alum SP



2.0" SCH40 Alum SP



2.5" 2pc Alum PP CP Top



2.5" 2pc Alum PP CP Bottom



4.0" Alum CP TOP



4.0" Alum CP Extension



4.0" Alum CP Bottom



4" SCH40 Alum PP CP Top



4" SCH40 Alum PP CP Bottom



1" x 42" Double Headed Stake



1" Inline Ratchet w/10' Web Guy



2" Inline Ratchet w/12' Web Guy



2.5" OD Bottom Insert - H.D.



2.5" OD Pole Pin 1/2" OD



1" Pipe & Flange



Door Header Fitting for Pole Tent



Stake Cap - White Plastic



JackJaw® #302 Tent Stake Puller



HH-66 Vinyl Glue-(4oz can)



Patch Tape B/O 3" w (ft)

# Series 1200 Engineering Specifications

---

Design Criteria: 20'x, 30'x & 40'x Series 1200 Systems  
Code: ASCE/SEI 7-10  
Wind Speed: 110MPH 3-Second Gust Exposure "C"  
Mean Recurrence Interval (MRI): 7.5 Years

## Notes:

External Guys to be installed at 45 degree from horizontal  
Tent not to be located near abrupt changes in topography

Soil conditions will vary from site to site. The included anchoring package for this tent may need to be supplemented with additional or alternate anchoring to meet the loads below. The below chart lists the required resistance loads that must be supported by the anchoring system to meet the engineering loads specified under the code.

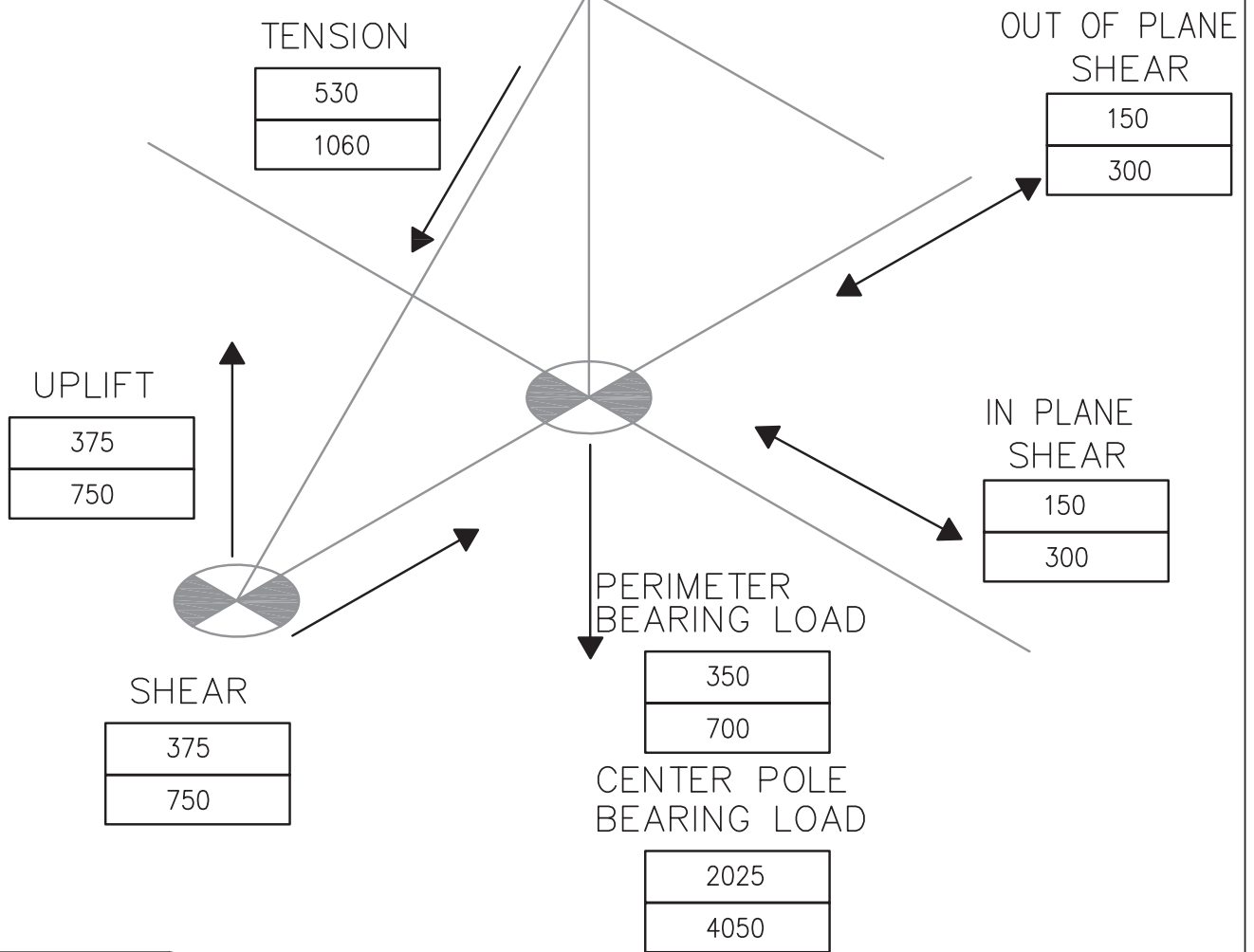
A Factor of Safety of 2.0 times the design load has been used for the pull out tension in lbs that the anchoring devices must resist in the direction of the load. Ensure that the anchors installed are adequate to resist pull out loads show on the diagram. Actual testing of some individual anchors to 75% of the anchor pull-out load is recommended.

# Series 1200 Load Summary- 20x

## SAMPLE

1000 LBS	ACTUAL LOAD VALUE
2000 LBS	MINIMUM DESIGN LOAD FOR ANCHORING SYSTEM*

\* MINIMUM DESIGN LOAD FOR ANCHORING SYSTEM IS CALCULATED USING A FACTOR OF SAFETY = 2.0. SOME FIXED MECHANICAL ANCHORS HAVING ULTIMATE LOADS IN EXCESS OF THIS SPECIFIED LOAD CAN BE USED, BUT THOSE ANCHORS MUST ALSO HAVE ALLOWABLE/ WORKING LOADS GREATER THAN ACTUAL LOAD VALUE.



REVISION HISTORY			
REV.	DESCRIPTION	BY	DATE

<b>PROPRIETARY</b>	
ENGINEER: N/A	DATE: 4/28/2017
PAGE: 1 OF 1	DRAWN: LYZ

<b>SERIES 1XXX POLE TENT</b>
20x FORCE LOAD
PART NUMBER:



**DESIGN & PRODUCTION**  
 2665 COLUMBIA ST. TORRANCE, CA. 90503  
 (800) 228-3687 -- FAX (310) 381-0722

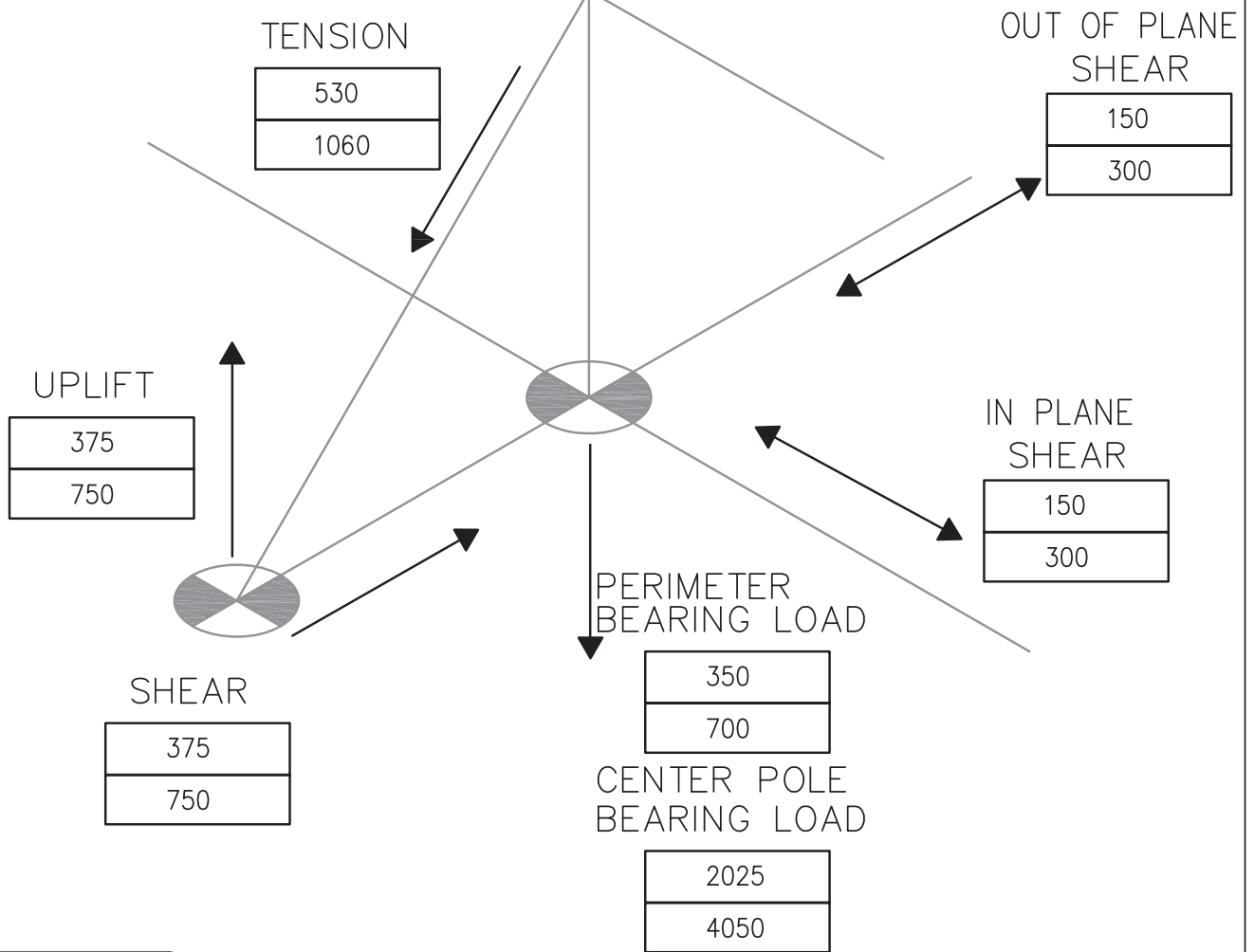
ALL DATA AND INFORMATION CONTAINED IN OR DISCLOSED BY THIS DOCUMENT IS PROPRIETARY INFORMATION OF AZTEC TENTS AND ALL RIGHTS THEREIN ARE EXPRESSLY RESERVED. BY ACCEPTING THIS MATERIAL THE RECIPIENT AGREES THAT THIS MATERIAL AND INFORMATION CONTAINED THEREIN IS HELD IN CONFIDENCE AND IN TRUST AND WILL NOT BE COPIED, REPRODUCED WHOLE OR IN PART, NOR ITS CONTENTS REVEALED IN ANY MANNER TO OTHERS, EXCEPT TO MEET THE SPECIFIC PURPOSE FOR WHICH IT WAS DELIVERED.

# Series 1200 Load Summary- 30x

## SAMPLE

1000 LBS	ACTUAL LOAD VALUE
2000 LBS	MINIMUM DESIGN LOAD FOR ANCHORING SYSTEM*

\* MINIMUM DESIGN LOAD FOR ANCHORING SYSTEM IS CALCULATED USING A FACTOR OF SAFETY = 2.0. SOME FIXED MECHANICAL ANCHORS HAVING ULTIMATE LOADS IN EXCESS OF THIS SPECIFIED LOAD CAN BE USED, BUT THOSE ANCHORS MUST ALSO HAVE ALLOWABLE/ WORKING LOADS GREATER THAN ACTUAL LOAD VALUE.



REVISION HISTORY			
REV.	DESCRIPTION	BY	DATE

<b>PROPRIETARY</b>	
ENGINEER: N/A	DATE: 4/28/2017
PAGE: 1 OF 1	DRAWN: LYZ

<b>SERIES 1XXX POLE TENT</b>
30x FORCE LOAD
PART NUMBER:

**DESIGN & PRODUCTION**  
 2665 COLUMBIA ST. TORRANCE, CA. 90503  
 (800) 228-3687 - FAX (310) 381-0722

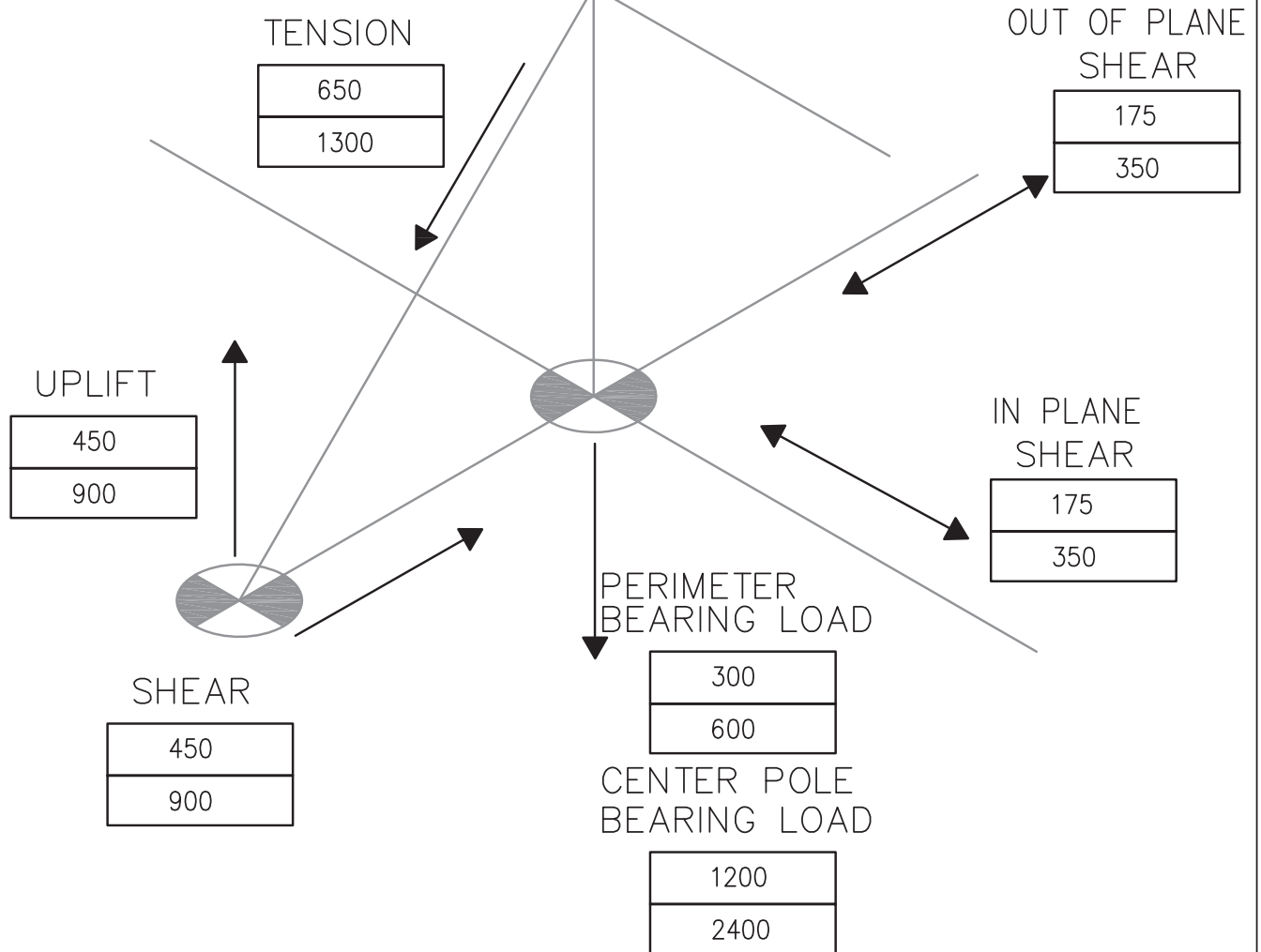
ALL DATA AND INFORMATION CONTAINED IN OR DISCLOSED BY THIS DOCUMENT IS PROPRIETARY INFORMATION OF AZTEC TENTS AND ALL RIGHTS THEREIN ARE EXPRESSLY RESERVED. BY ACCEPTING THIS MATERIAL THE RECIPIENT AGREES THAT THIS MATERIAL AND INFORMATION CONTAINED THEREIN IS HELD IN CONFIDENCE AND IN TRUST AND WILL NOT BE COPIED, REPRODUCED WHOLE OR IN PART, NOR ITS CONTENTS REVEALED IN ANY MANNER TO OTHERS, EXCEPT TO MEET THE SPECIFIC PURPOSE FOR WHICH IT WAS DELIVERED.

# Series 1200 Load Summary- 40x

## SAMPLE

1000 LBS	ACTUAL LOAD VALUE
2000 LBS	MINIMUM DESIGN LOAD FOR ANCHORING SYSTEM*

\* MINIMUM DESIGN LOAD FOR ANCHORING SYSTEM IS CALCULATED USING A FACTOR OF SAFETY = 2.0. SOME FIXED MECHANICAL ANCHORS HAVING ULTIMATE LOADS IN EXCESS OF THIS SPECIFIED LOAD CAN BE USED, BUT THOSE ANCHORS MUST ALSO HAVE ALLOWABLE/ WORKING LOADS GREATER THAN ACTUAL LOAD VALUE.



REVISION HISTORY			
REV.	DESCRIPTION	BY:	DATE:

<b>PROPRIETARY</b>	
ENGINEER: N/A	DATE: 4/28/2017
PAGE: 1 OF 1	DRAWN: LYZ

<b>SERIES 1XXX POLE TENT</b>
40x FORCE LOAD
PART NUMBER:



**DESIGN & PRODUCTION**  
 2665 COLUMBIA ST. TORRANCE, CA. 90503  
 (800) 228-3687 - FAX (310) 381-0722

ALL DATA AND INFORMATION CONTAINED IN OR DISCLOSED BY THIS DOCUMENT IS PROPRIETARY INFORMATION OF AZTEC TENTS AND ALL RIGHTS THEREIN ARE EXPRESSLY RESERVED. BY ACCEPTING THIS MATERIAL THE RECIPIENT AGREES THAT THIS MATERIAL AND INFORMATION CONTAINED THEREIN IS HELD IN CONFIDENCE AND IN TRUST AND WILL NOT BE COPIED, REPRODUCED WHOLE OR IN PART, NOR ITS CONTENTS REVEALED IN ANY MANNER TO OTHERS, EXCEPT TO MEET THE SPECIFIC PURPOSE FOR WHICH IT WAS DELIVERED.

# Series 1200 Components

---

Components	Item Number	Weight lbs
2.5" 2pc Alum PP CPx15'0"	Z3962.500TX1500	13
2.5" 2pc Alum PP CPx16'0"	Z3962.500TX1600	14
4.0" 2pc Alum PP CPx17'0"	Z3964.000TX1700	39
4.0" 2pc Alum PP CPx18'0"	Z3964.000TX1800	41
4.0" Alum CP x 3' EXT	Z3974.000TX03	6
4.0" Alum CP x 4' EXT	Z3974.000TX04	8
4.0" 2pc Alum PP CPx20'0"	Z3964.000TX2000	45
4.0" 3pc Alum PP CPx21'0"	Z3964.000TX2100B	47
4" SCH40 2pc Alum PP CPx23'6"	Z3964SCH40X2306	122
4" SCH40 2pc Alum PP CPx24'6"	Z3964SCH40X2406	125
4" SCH40 2pc Alum PP CPx27'0"	Z3964SCH40X2700B	134
4" SCH40 2pc Alum PP CPx28'0"	Z3964SCH40X2800	137
2.5" 1pc Alum SP x 7'0"	Z3912.5BX07	7
2.5" 1pc Alum SP x 8'0"	Z3912.5BX08	8
2.0" SCH40 Alum SP x 7'0"	Z3912.0SCH40X07	12
2.0" SCH40 Alum SP x 8'0"	Z3912.0SCH40X08	13
1" x 42" Double Headed Stake	Z51100070	10
1/2x18 Polypro Rope	Z39900480	3
5/8x18 Polydac Rope	Z39900490	3
1" Inline Ratchet w/10' Web Guy	Z39900280	3
2" Inline Ratchet w/12' Web Guy	Z39900290	6
2.5" OD Bottom Insert	Z39900095	1

If YOU can IMAGINE it... WE can BUILD it

[www.aztectents.com](http://www.aztectents.com)

**Aztec Tents**

2665 Columbia Street  
Torrance, CA 90503  
Toll Free (800) 228-3687  
Fax (310) 381-0722