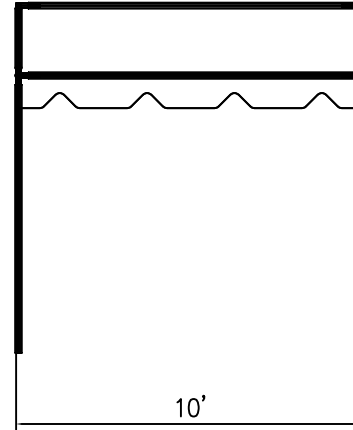
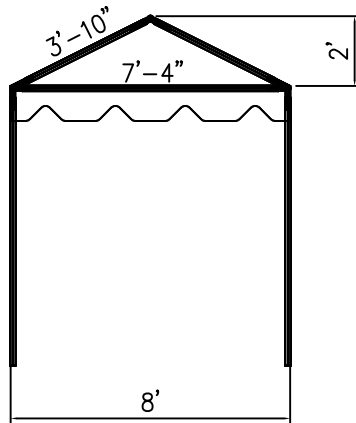


ISOMETRIC VIEW

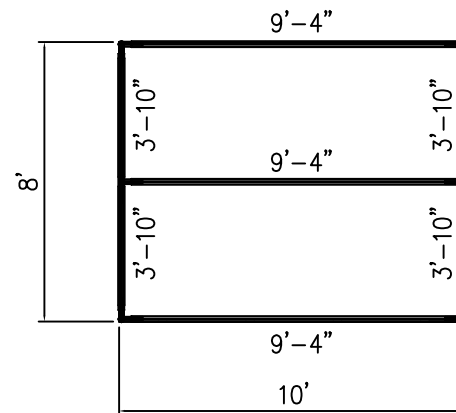


SIDE VIEW

8' x 10' GABLE FRAME TENT



END VIEW



PLAN VIEW

ALL DATA AND INFORMATION CONTAINED IN OR DISCLOSED BY THIS DOCUMENT IS CONFIDENTIAL AND PROPRIETARY INFORMATION OF AZTEC TENTS AND ALL RIGHTS THEREIN ARE EXPRESSLY RESERVED. BY ACCEPTING THIS MATERIAL THE RECIPIENT AGREES THAT THIS MATERIAL AND INFORMATION CONTAINED THEREIN IS HELD IN CONFIDENCE AND IN TRUST AND WILL NOT BE COPIED, REPRODUCED WHOLE OR IN PART, NOR ITS CONTENTS REVEALED IN ANY MANNER TO OTHERS, EXCEPT TO MEET THE SPECIFIC PURPOSE FOR WHICH IT WAS DELIVERED.

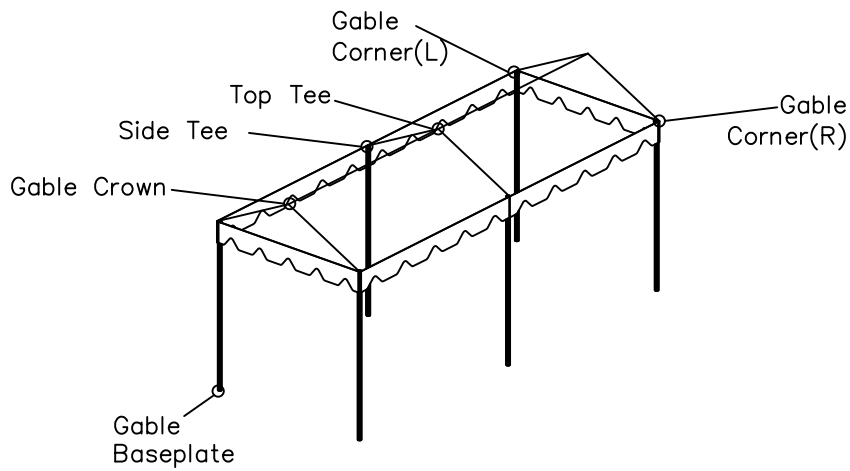
AZTEC TENTS
 DESIGN & PRODUCTION
 2665 COLUMBIA ST. TORRANCE, CA, 90503
 (800) 228-3687 - FAX (310) 381-0722

GABLE FRAME
 GABLE FRAME/STANDARD
 8'W X 10'L
 PART NUMBER: ZXXXXXXX

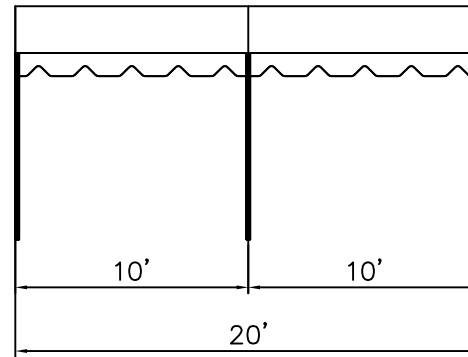
REVISION HISTORY			
REV.	DESCRIPTION	BY:	DATE:

CONFIDENTIAL

ENGINEER: N/A	DATE: 7/1/2016
PAGE: 1 OF 1	DRAWN: HUGO.R

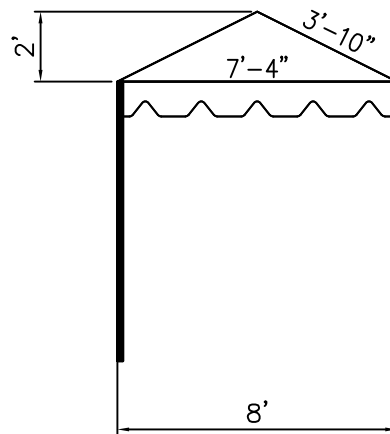


ISOMETRIC VIEW

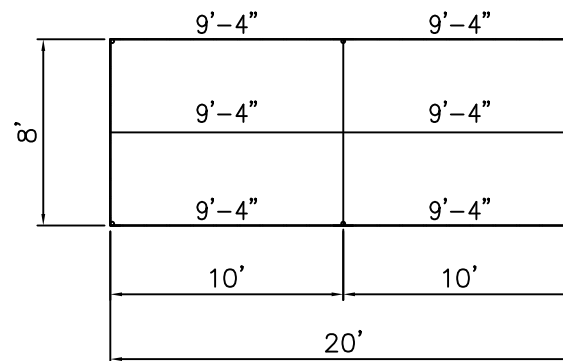


SIDE VIEW

8'W x 20'L GABLE FRAME TENT



FRONT VIEW



PLAN VIEW

ALL DATA AND INFORMATION CONTAINED IN OR DISCLOSED BY THIS DOCUMENT IS CONFIDENTIAL AND PROPRIETARY INFORMATION OF AZTEC TENTS AND ALL RIGHTS THEREIN ARE EXPRESSLY RESERVED. BY ACCEPTING THIS MATERIAL THE RECIPIENT AGREES THAT THIS MATERIAL AND INFORMATION CONTAINED THEREIN IS HELD IN CONFIDENCE AND IN TRUST AND WILL NOT BE COPIED, REPRODUCED WHOLE OR IN PART, NOR ITS CONTENTS REVEALED, IN ANY MANNER TO ANY OTHERS, WITHOUT MEETING THE SPECIFIC PURPOSE FOR WHICH IT WAS DELIVERED.

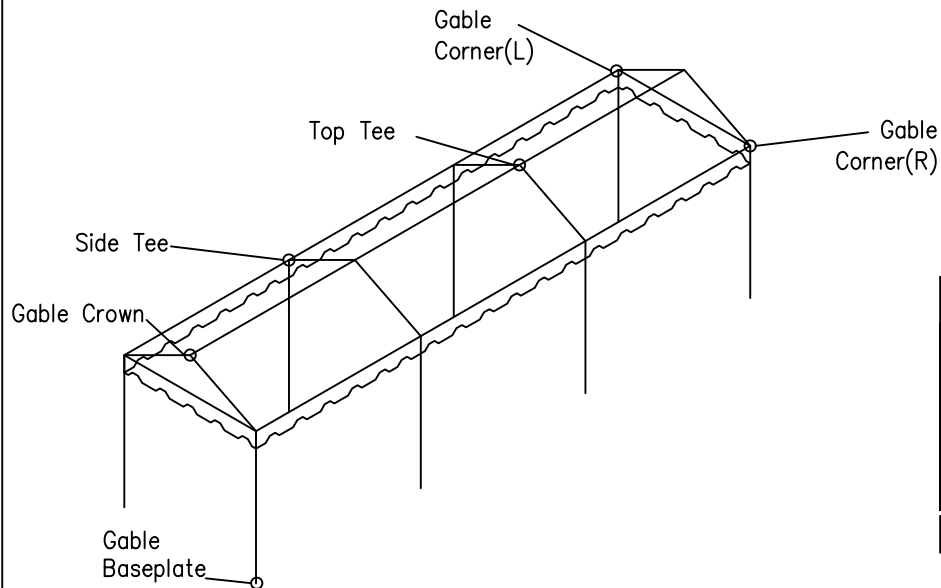
AZTEC TENTS
 DESIGN & PRODUCTION
 2665 COLUMBIA ST. TORRANCE, CA. 90503
 (800) 228-3687 - FAX (310) 381-0722

GABLE FRAME
 GABLE FRAME/STANDARD
 8'W X 20'L
 PART NUMBER: ZXXXXXXX

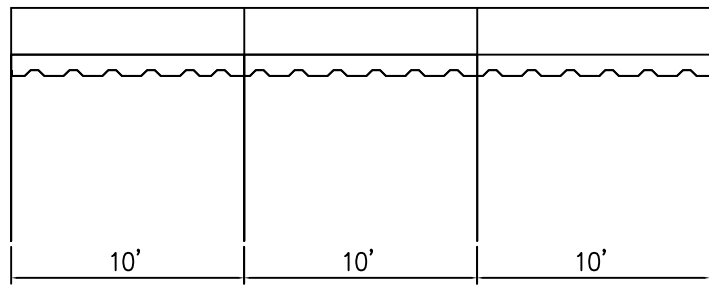
REVISION HISTORY			
REV.	DESCRIPTION	BY:	DATE:

CONFIDENTIAL

ENGINEER: N/A	DATE: 7/1/2016
PAGE: 1 OF 1	DRAWN: HUGO.R

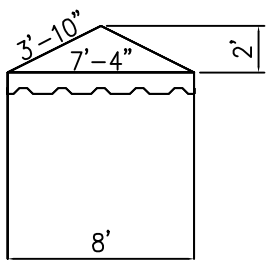


ISOMETRIC VIEW

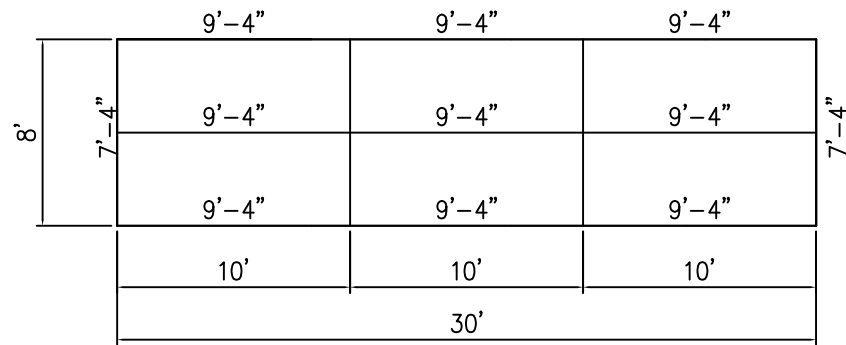


SIDE VIEW

8' x 30' GABLE FRAME TENT



FRONT VIEW



PLAN VIEW

ALL DATA AND INFORMATION CONTAINED IN OR DISCLOSED BY THIS DOCUMENT IS CONFIDENTIAL AND PROPRIETARY INFORMATION OF AZTEC TENTS AND ALL RIGHTS THEREIN ARE EXPRESSLY RESERVED. BY ACCEPTING THIS MATERIAL THE RECIPIENT AGREES THAT THIS MATERIAL AND INFORMATION CONTAINED THEREIN IS HELD IN CONFIDENCE AND IN TRUST AND WILL NOT BE COPIED, REPRODUCED WHOLE OR IN PART, NOR ITS CONTENTS REVEALED IN ANY MANNER TO OTHERS, EXCEPT TO MEET THE SPECIFIC PURPOSE FOR WHICH IT WAS DELIVERED.

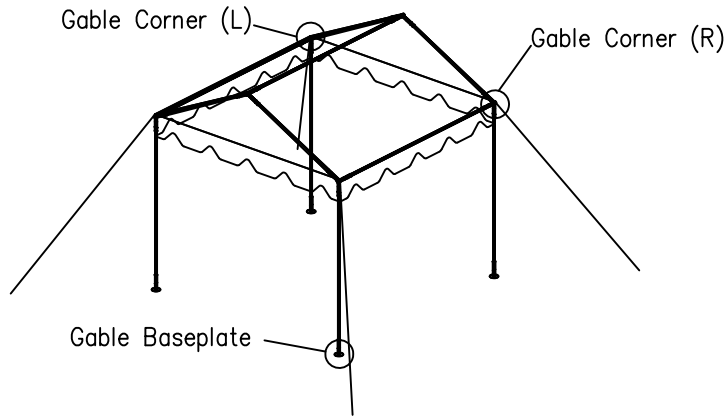
AZTEC TENTS
 DESIGN & PRODUCTION
 2665 COLUMBIA ST. TORRANCE, CA. 90503
 (800) 228-3687 - FAX (310) 381-0722

GABLE FRAME
 GABLE FRAME/STANDARD
 8'W X 30'L
 PART NUMBER: ZXXXXXXX

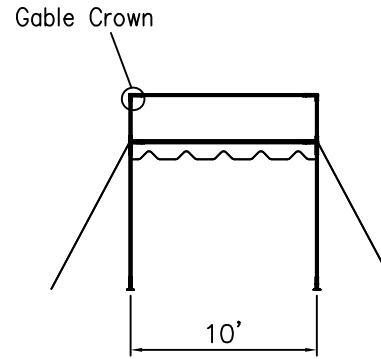
REVISION HISTORY			
REV.	DESCRIPTION	BY:	DATE:

CONFIDENTIAL

ENGINEER: N/A DATE: 7/1/2016
 PAGE: 1 OF 1 DRAWN: HUGO.R

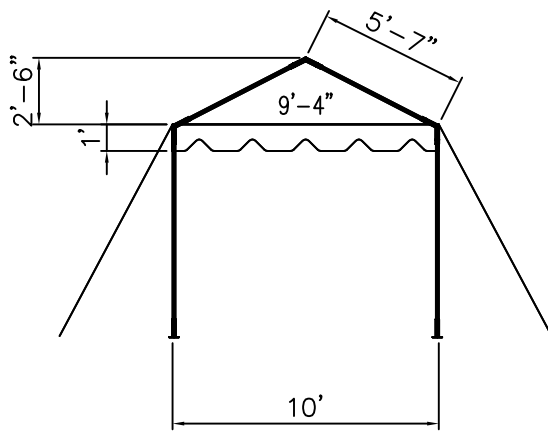


ISOMETRIC VIEW

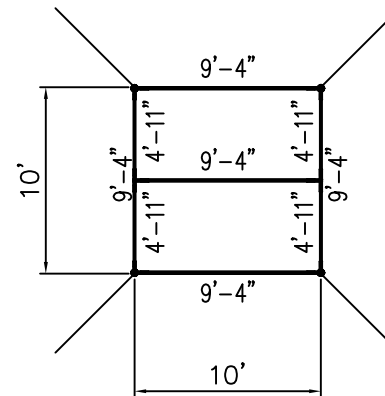


SIDE VIEW

10' x 10' GABLE FRAME TENT



FRONT VIEW



PLAN VIEW

ALL DATA AND INFORMATION CONTAINED IN OR DISCLOSED BY THIS DOCUMENT IS CONFIDENTIAL AND PROPRIETARY INFORMATION OF AZTEC TENTS AND ALL RIGHTS THEREIN ARE EXPRESSLY RESERVED. BY ACCEPTING THIS MATERIAL THE RECIPIENT AGREES THAT THIS MATERIAL AND INFORMATION CONTAINED THEREIN IS HELD IN CONFIDENCE AND IN TRUST AND WILL NOT BE COPIED, REPRODUCED WHOLE OR IN PART, NOR ITS CONTENTS REVEALED TO ANY OTHERS, WITHOUT THE WRITTEN CONSENT OF AZTEC TENTS. THIS AGREEMENT SHALL BE THE SPECIFIC PURPOSE FOR WHICH IT WAS DELIVERED.

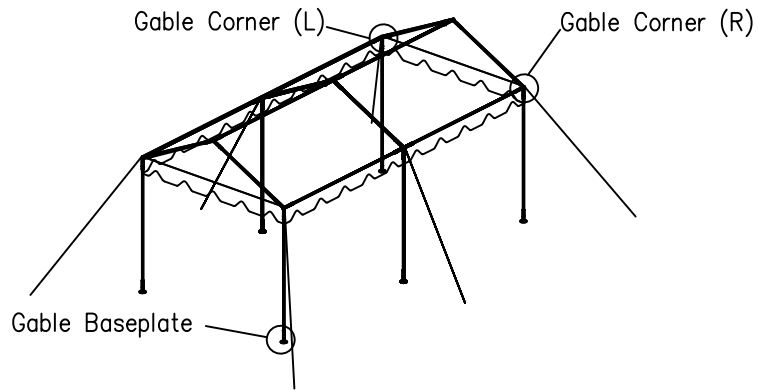
AZTEC TENTS
 DESIGN & PRODUCTION
 2665 COLUMBIA ST. TORRANCE, CA. 90503
 (800) 228-3687 - FAX (310) 381-0722

GABLE FRAME
 GABLE FRAME TENT/STANDARD
 10'W X 10'L
 PART NUMBER: ZXXXXXX

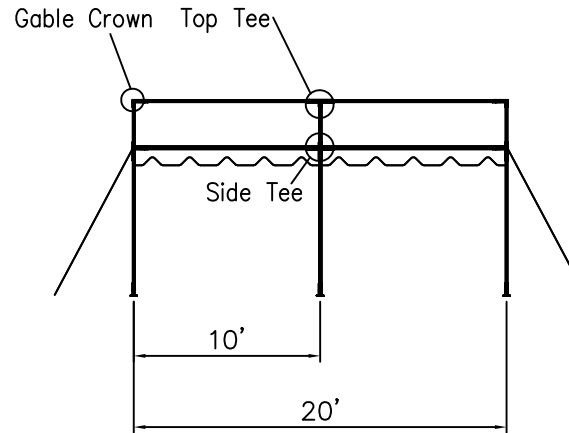
REVISION HISTORY			
REV.	DESCRIPTION	BY:	DATE:
N/A	N/A	N/A	N/A
N/A	N/A	N/A	N/A
N/A	N/A	N/A	N/A
N/A	N/A	N/A	N/A
N/A	N/A	N/A	N/A

CONFIDENTIAL

ENGINEER: N/A DATE: 6/13/2016
 PAGE: 1 OF 1 DRAWN: HUGO.R

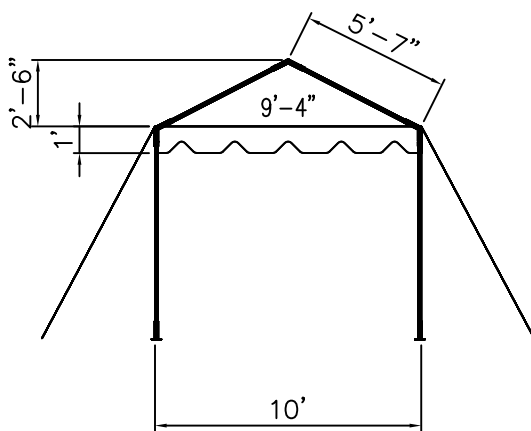


ISOMETRIC VIEW

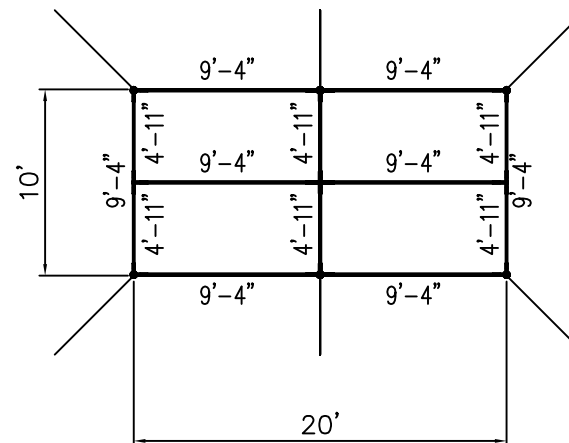


SIDE VIEW

10' x 20' GABLE FRAME TENT



FRONT VIEW



PLAN VIEW

ALL DATA AND INFORMATION CONTAINED IN OR DISCLOSED BY THIS DOCUMENT IS CONFIDENTIAL AND PROPRIETARY INFORMATION OF AZTEC TENTS AND ALL RIGHTS THEREIN ARE EXPRESSLY RESERVED. BY ACCEPTING THIS MATERIAL THE RECIPIENT AGREES THAT THIS MATERIAL AND INFORMATION CONTAINED THEREIN IS HELD IN CONFIDENCE AND IN TRUST AND WILL NOT BE COPIED, REPRODUCED WHOLE OR IN PART, NOR ITS CONTENTS REVEALED, IN ANY MANNER TO ANY OTHERS, WITHOUT THE SPECIFIC PURPOSE FOR WHICH IT WAS DELIVERED.

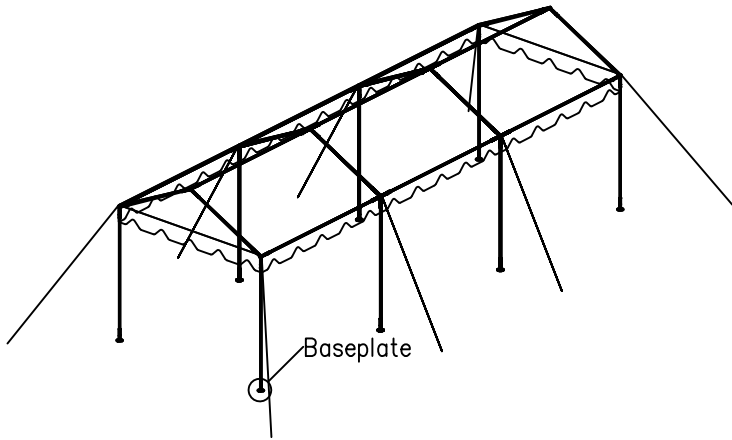
AZTEC TENTS
 DESIGN & PRODUCTION
 2665 COLUMBIA ST. TORRANCE, CA. 90503
 (800) 228-3687 - FAX (310) 381-0722

GABLE FRAME
 GABLE FRAME TENT/STANDARD
 10'W X 20'L
 PART NUMBER: ZXXXXXXX

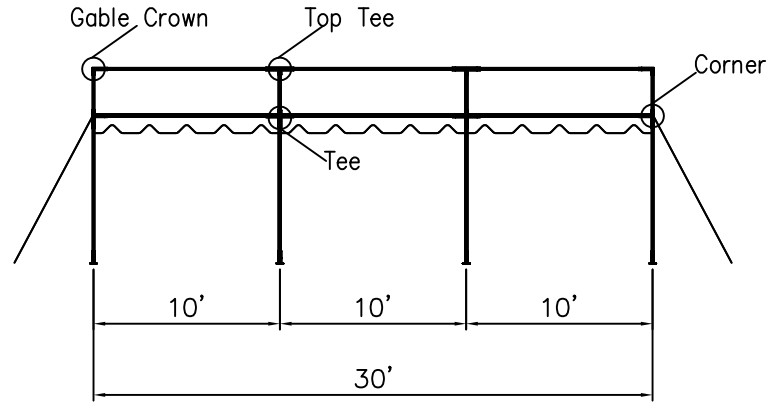
REVISION HISTORY			
REV.	DESCRIPTION	BY:	DATE:
N/A	N/A	N/A	N/A
N/A	N/A	N/A	N/A
N/A	N/A	N/A	N/A
N/A	N/A	N/A	N/A
N/A	N/A	N/A	N/A

CONFIDENTIAL

ENGINEER: N/A DATE: 6/13/2016
 PAGE: 1 OF 1 DRAWN: HUGO.R

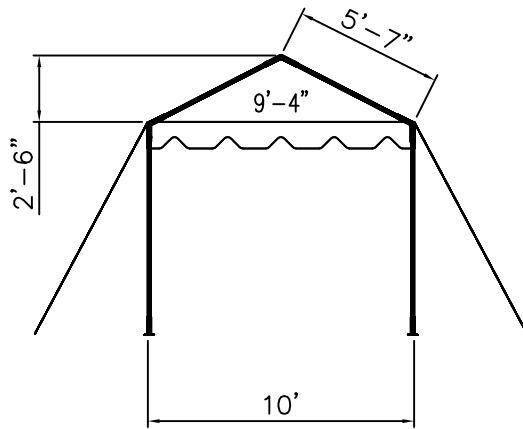


ISOMETRIC VIEW

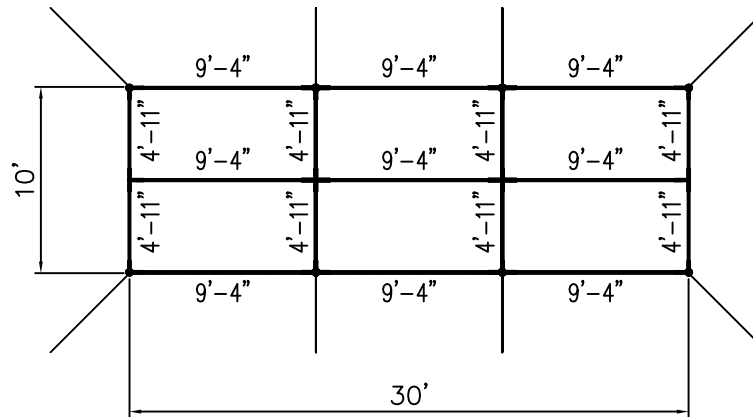


SIDE VIEW

10' x 30' GABLE FRAME TENT



FRONT VIEW



PLAN VIEW

ALL DATA AND INFORMATION CONTAINED IN OR DISCLOSED BY THIS DOCUMENT IS CONFIDENTIAL AND PROPRIETARY INFORMATION OF AZTEC TENTS AND ALL RIGHTS THEREIN ARE EXPRESSLY RESERVED. BY ACCEPTING THIS MATERIAL THE RECIPIENT AGREES THAT THIS MATERIAL AND INFORMATION CONTAINED THEREIN IS HELD IN CONFIDENCE AND IN TRUST AND WILL NOT BE COPIED, REPRODUCED WHOLE OR IN PART, NOR ITS CONTENTS REVEALED, IN ANY MANNER TO ANY OTHERS, WITHOUT THE SPECIFIC PURPOSE FOR WHICH IT WAS DELIVERED.

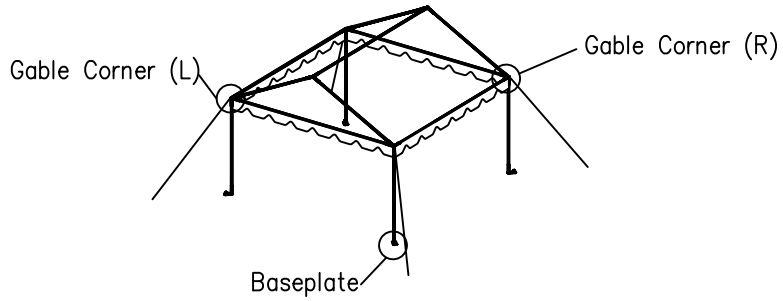
AZTEC TENTS
 DESIGN & PRODUCTION
 2665 COLUMBIA ST. TORRANCE, CA, 90503
 (800) 228-3687 - FAX (310) 381-0722

GABLE FRAME
 GABLE FRAME TENT/STANDARD
 10' W X 30' L
 PART NUMBER: ZXXXXXXX

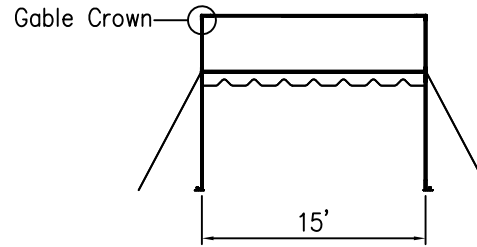
REVISION HISTORY			
REV.	DESCRIPTION	BY:	DATE:
N/A	N/A	N/A	N/A
N/A	N/A	N/A	N/A
N/A	N/A	N/A	N/A
N/A	N/A	N/A	N/A
N/A	N/A	N/A	N/A

CONFIDENTIAL

ENGINEER: N/A DATE: 6/13/2016
 PAGE: 1 OF 1 DRAWN: HUGO.R

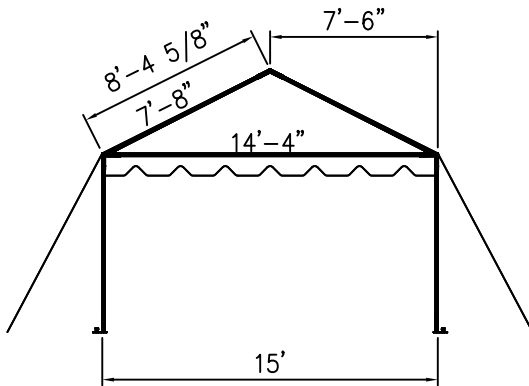


ISOMETRIC VIEW

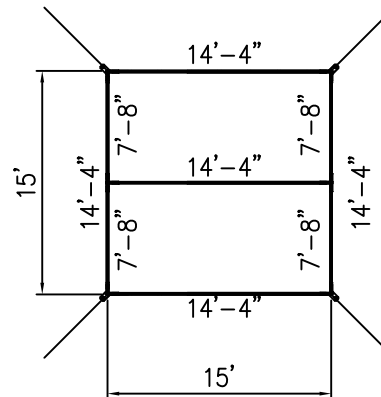


SIDE VIEW

15'W x 15'L GABLE FRAME TENT



FRONT VIEW



PLAN VIEW

ALL DATA AND INFORMATION CONTAINED IN OR DISCLOSED BY THIS DOCUMENT IS CONFIDENTIAL AND PROPRIETARY INFORMATION OF AZTEC TENTS AND ALL RIGHTS THEREIN ARE EXPRESSLY RESERVED. BY ACCEPTING THIS MATERIAL THE RECIPIENT AGREES THAT THIS MATERIAL AND INFORMATION CONTAINED THEREIN IS HELD IN CONFIDENCE AND IN TRUST AND WILL NOT BE COPIED, REPRODUCED WHOLE OR IN PART, NOR ITS CONTENTS REVEALED IN ANY MANNER TO OTHERS, EXCEPT TO MEET THE SPECIFIC PURPOSE FOR WHICH IT WAS DELIVERED.

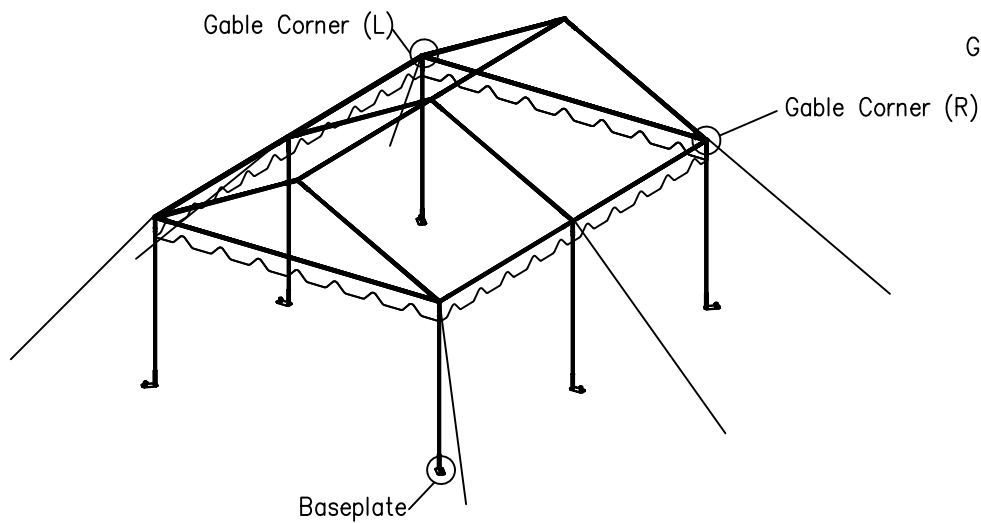
AZTEC TENTS
 DESIGN & PRODUCTION
 2665 COLUMBIA ST. TORRANCE, CA. 90503
 (800) 228-3687 - FAX (310) 381-0722

GABLE FRAME
 GABLE FRAME TENT/STANDARD
 15'W X 15'L GABLE FRAME
 PART NUMBER: ZXXXXXXX

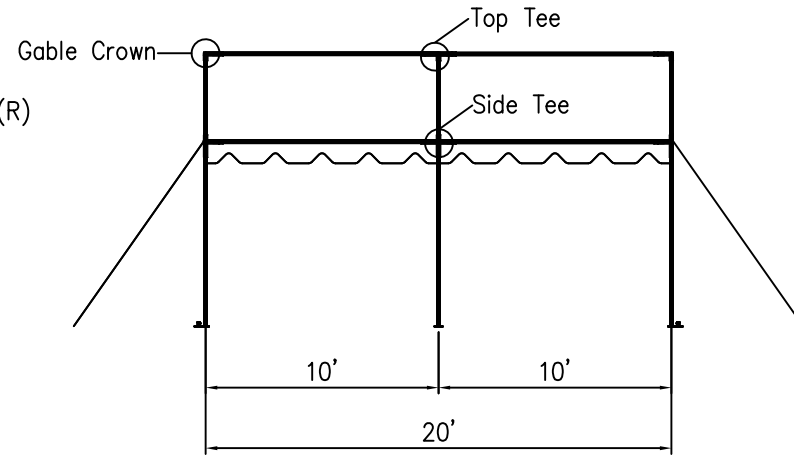
REVISION HISTORY			
REV.	DESCRIPTION	BY:	DATE:

CONFIDENTIAL

ENGINEER: N/A DATE: 6/27/2016
 PAGE: 1 OF 1 DRAWN: HUGO.R

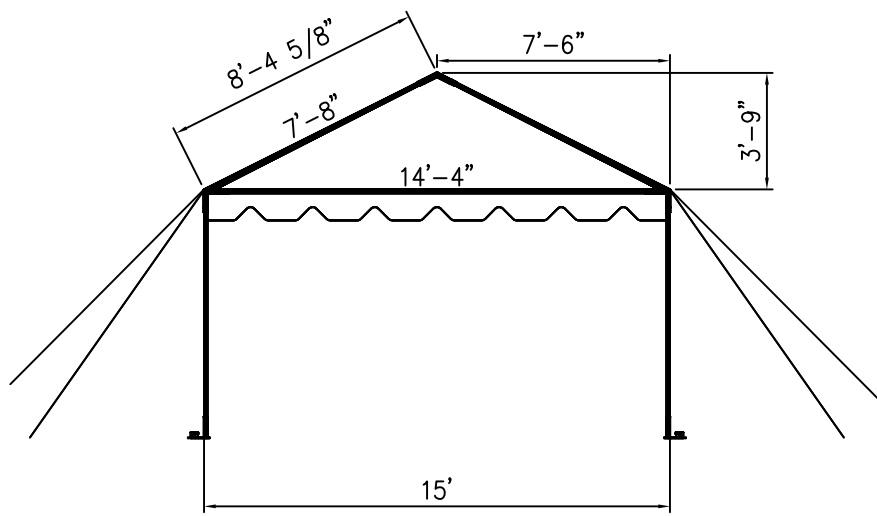


ISOMETRIC VIEW

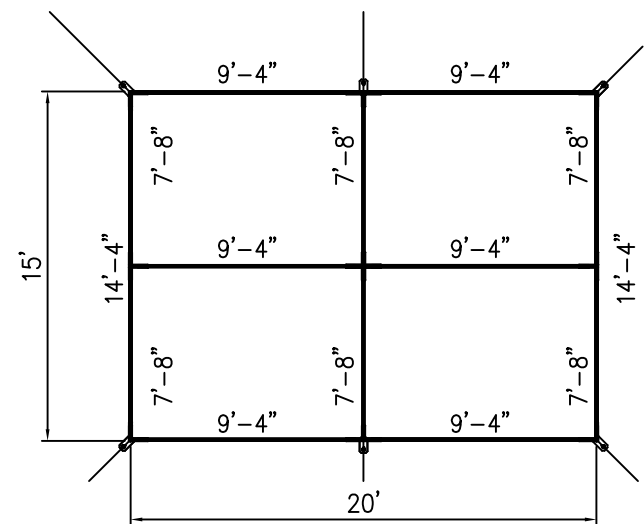


SIDE VIEW

15'W x 20'L GABLE FRAME TENT



FRONT VIEW



PLAN VIEW

ALL DATA AND INFORMATION CONTAINED IN OR DISCLOSED BY THIS DOCUMENT IS CONFIDENTIAL AND PROPRIETARY INFORMATION OF AZTEC TENTS AND ALL RIGHTS THEREIN ARE EXPRESSLY RESERVED. BY ACCEPTING THIS MATERIAL THE RECIPIENT AGREES THAT THIS MATERIAL AND INFORMATION CONTAINED THEREIN IS HELD IN CONFIDENCE AND IN TRUST AND WILL NOT BE COPIED, REPRODUCED WHOLE OR IN PART, NOR ITS CONTENTS REVEALED IN ANY MANNER TO OTHERS, EXCEPT TO MEET THE SPECIFIC PURPOSE FOR WHICH IT WAS DELIVERED.

AZTEC TENTS
 DESIGN & PRODUCTION
 2665 COLUMBIA ST. TORRANCE, CA, 90503
 (800) 228-3687 - FAX (310) 381-0722

GABLE FRAME
 GABLE FRAME TENT/ STANDARD
 15'W X 20'L GABLE FRAME
 PART NUMBER: ZXXXXXXX

REVISION HISTORY			
REV.	DESCRIPTION	BY:	DATE:

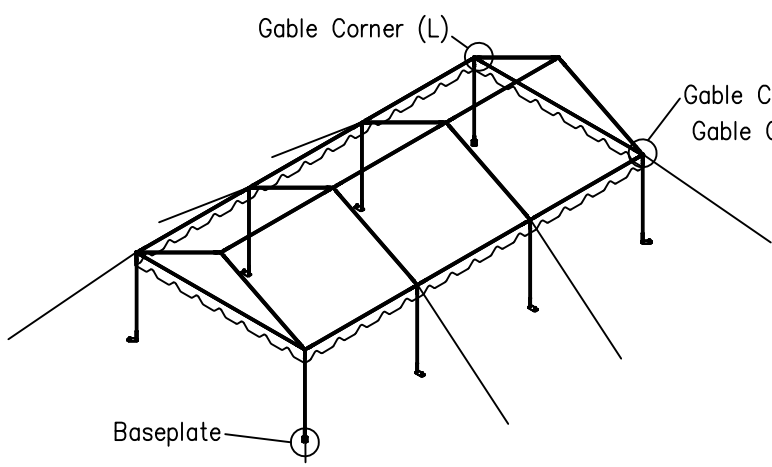
CONFIDENTIAL

ENGINEER: N/A DATE: 6/27/2016
 PAGE: 1 OF 1 DRAWN: HUGO.R

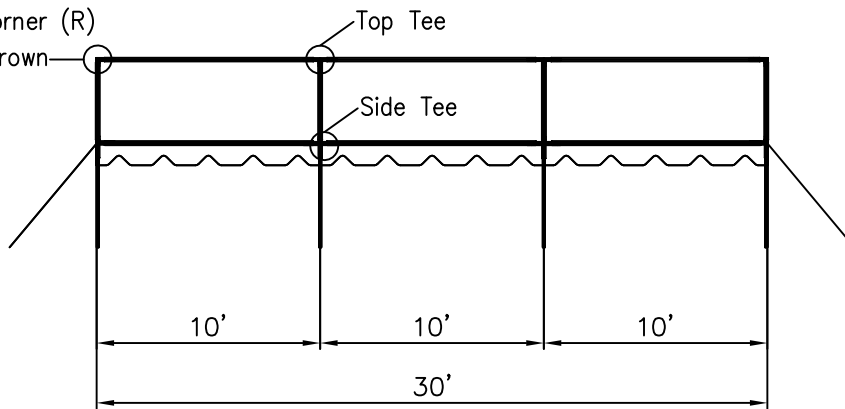
ALL DATA AND INFORMATION CONTAINED IN OR DISCLOSED BY THIS DOCUMENT IS CONFIDENTIAL AND PROPRIETARY INFORMATION OF AZTEC TENTS AND ALL RIGHTS THEREIN ARE EXPRESSLY RESERVED. BY ACCEPTING THIS MATERIAL THE RECIPIENT AGREES THAT THIS MATERIAL AND INFORMATION CONTAINED THEREIN IS HELD IN CONFIDENCE AND IN TRUST AND WILL NOT BE COPIED, REPRODUCED WHOLE OR IN PART, NOR ITS CONTENTS REVEALED, IN ANY MANNER TO ANY OTHERS, WITHOUT THE SPECIFIC PURPOSE FOR WHICH IT WAS DELIVERED.

AZTEC TENTS
 DESIGN & PRODUCTION
 2665 COLUMBIA ST. TORRANCE, CA 90503
 (800) 228-3687 - FAX (310) 381-0722

GABLE FRAME
 FRAME TENT STRUCTURE/STANDARD
 15' W X 30' L FRAME TENT
 PART NUMBER: ZXXXXXX

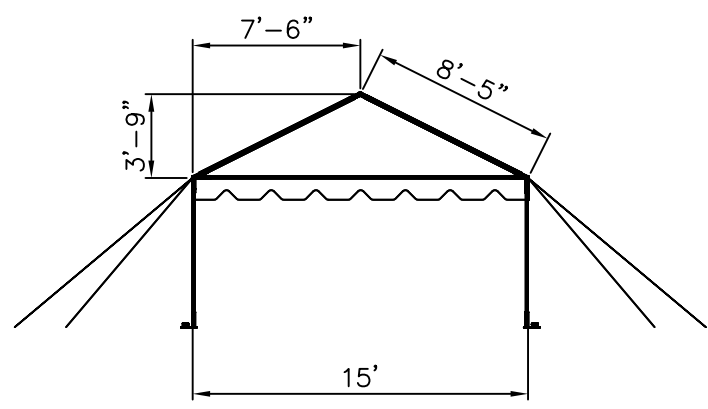


ISOMETRIC VIEW

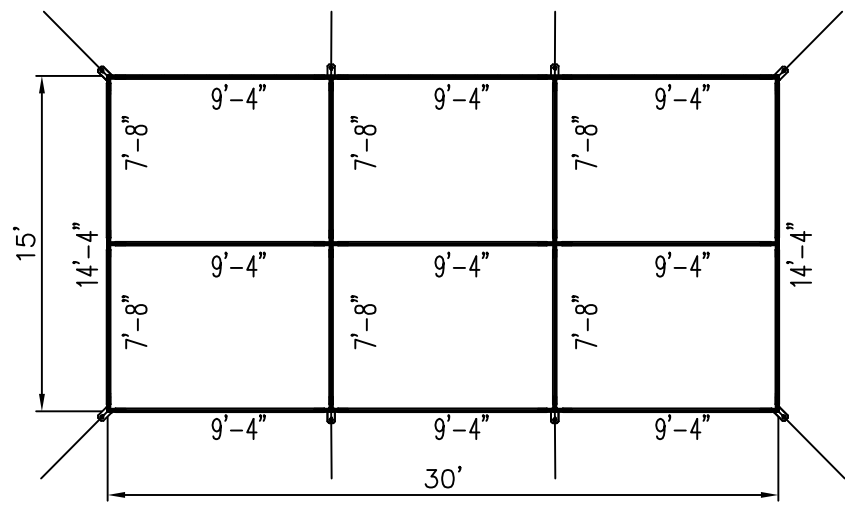


SIDE VIEW

15' W X 30' L GABLE FRAME TENT



FRONT VIEW

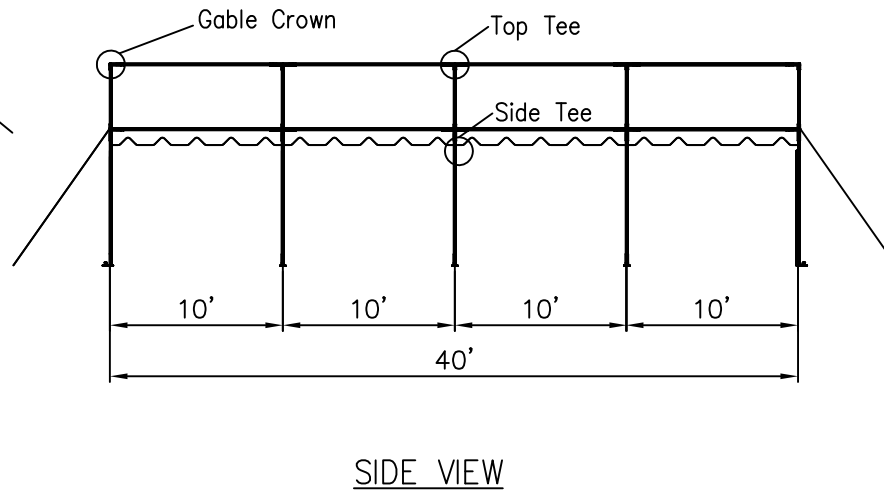
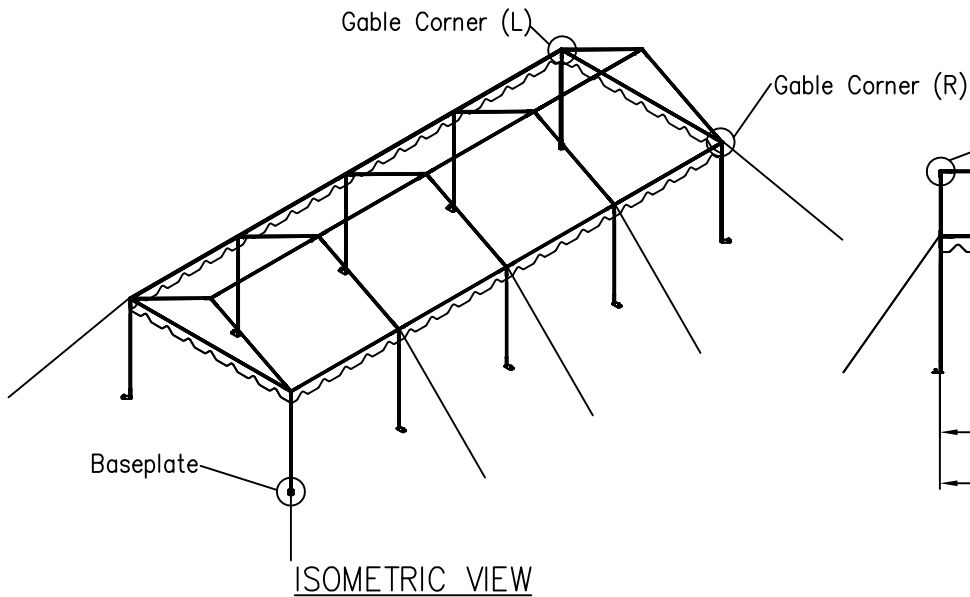


PLAN VIEW

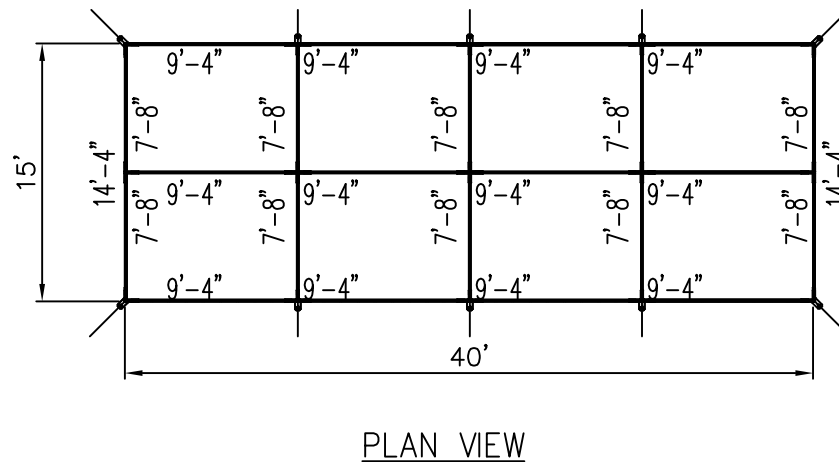
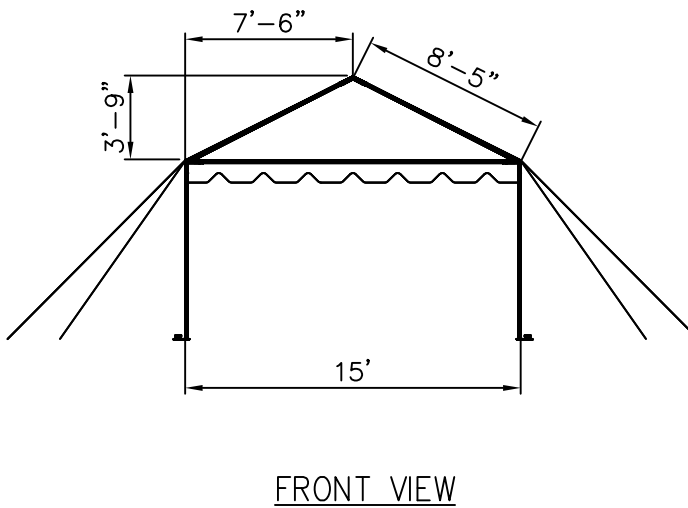
REVISION HISTORY			
REV.	DESCRIPTION	BY:	DATE:

CONFIDENTIAL

ENGINEER: N/A DATE: 6/27/2016
 PAGE: 1 OF 1 DRAWN: HUGO.R



15'W x 40'L GABLE FRAME TENT



ALL DATA AND INFORMATION CONTAINED IN OR DISCLOSED BY THIS DOCUMENT IS CONFIDENTIAL AND PROPRIETARY INFORMATION OF AZTEC TENTS AND ALL RIGHTS THEREIN ARE EXPRESSLY RESERVED. BY ACCEPTING THIS MATERIAL THE RECIPIENT AGREES THAT THIS MATERIAL AND INFORMATION CONTAINED THEREIN IS HELD IN CONFIDENCE AND IN TRUST AND WILL NOT BE COPIED, REPRODUCED WHOLE OR IN PART, NOR ITS CONTENTS REVEALED, IN ANY MANNER OR FOR ANY OTHER PURPOSE, WITHOUT THE SPECIFIC PURPOSE FOR WHICH IT WAS DELIVERED.

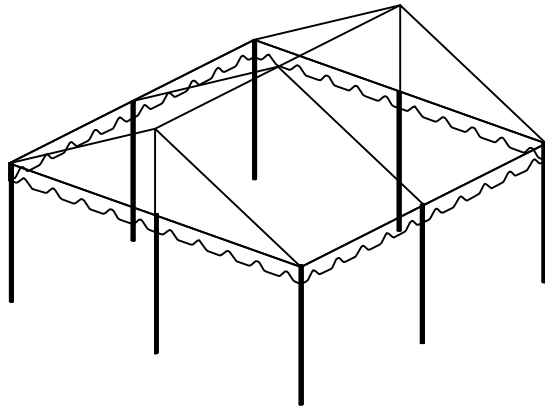
AZTEC TENTS
 DESIGN & PRODUCTION
 2665 COLUMBIA ST. TORRANCE, CA, 90503
 (800) 228-3687 - FAX (310) 381-0722

GABLE FRAME
 FRAME TENT STRUCTURE/STANDARD
 15'W X 40'L FRAME TENT
 PART NUMBER: ZXXXXXX

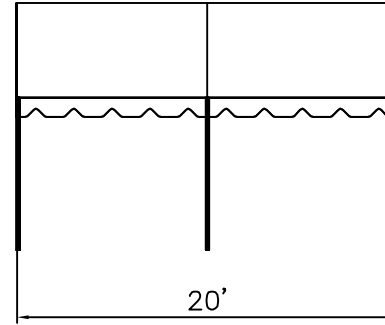
REVISION HISTORY			
REV.	DESCRIPTION	BY	DATE

CONFIDENTIAL

ENGINEER: N/A DATE: 6/27/2016
 PAGE: 1 OF 1 DRAWN: HUGO.R



ISOMETRIC ELEVATION



SIDE VIEW

20' x 20' GABLE FRAME TENT

PIPE: 2"

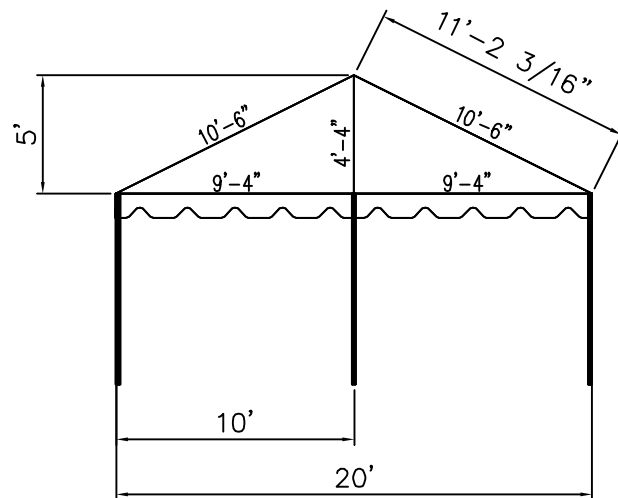
- (8) 6'-8" / 7'-8" / 9'-4" LEGS
- (2) 4'-4" RISER
- (10) 9'-4" RAFTER
- (6) 10'-6" RAFTER

FITTINGS:

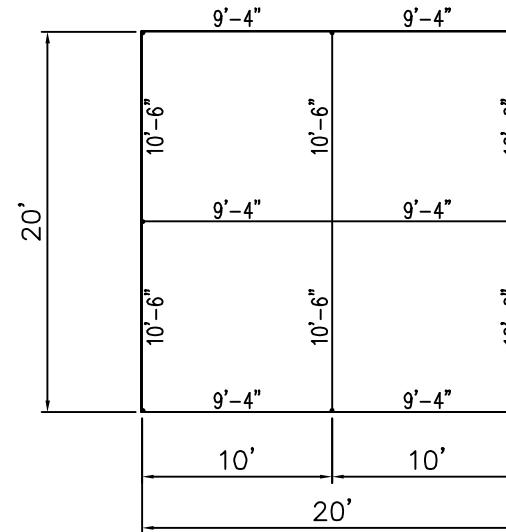
- (4) GABLE CORNER (2R/2L)
- (2) GABLE CROWN
- (1) TOP TEE
- (2) TEES
- (2) GABLE CROSS TEE

QWIK TOP OPTIONS:

- (8) RATCHET TENSIONERS
- (8) QWIK BASE PLATES



FRONT VIEW



PLAN VIEW



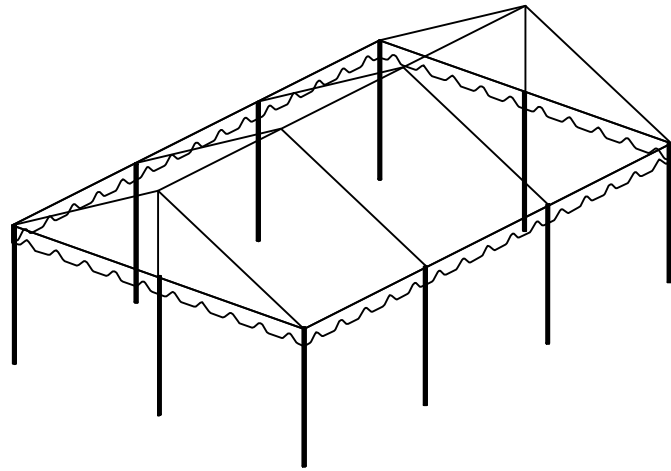
2685 COLUMBIA ST. TORRANCE, CA. 90503
(800) 228-3687 - FAX (310) 361-0722

ENGINEER CM
DRAWN KT
DATE 07/27/10

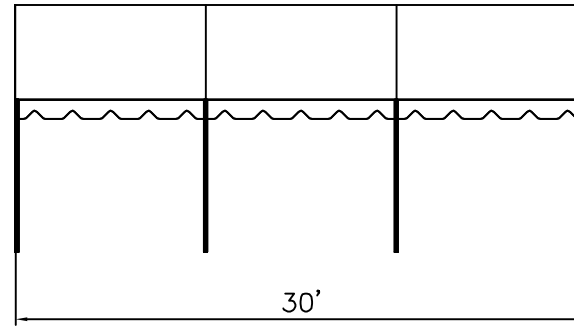
ALL DATA AND INFORMATION CONTAINED IN OR DISCLOSED BY THIS DOCUMENT IS CONFIDENTIAL AND PROPRIETARY INFORMATION OF AZTEC TENTS AND ALL RIGHTS THEREIN ARE RESERVED. NO PART OF THIS DOCUMENT OR INFORMATION CONTAINED HEREIN IS TO BE REPRODUCED OR TRANSMITTED IN ANY FORM OR BY ANY MEANS, ELECTRONIC OR MECHANICAL, INCLUDING PHOTOCOPYING, RECORDING, OR BY ANY INFORMATION STORAGE AND RETRIEVAL SYSTEM, WITHOUT THE WRITTEN PERMISSION OF AZTEC TENTS. THIS DOCUMENT AND INFORMATION CONTAINED HEREIN IS HELD IN CONFIDENCE AND IN TRUST AND WILL NOT BE COPIED, REPRODUCED WHOLE OR IN PART, NOR ITS CONTENTS REVEALED IN ANY MANNER TO OTHERS, WITHOUT THE WRITTEN PERMISSION OF AZTEC TENTS. THIS AGREEMENT IS ACCEPTED TO MEET THE SPECIFIC PURPOSE FOR WHICH IT WAS DELIVERED.

DIAGRAMS \ 20x \ 20x Gbl \ 20x20 Gable.dwg, 7/27/2010 3:29:17 PM, pdfFactory.pc3
CHECKED -
072710 1525

STANDARD	
FRAME TENT STRUCTURE / STANDARD 20' W x 20' L x 10' LEG SPACING	
PART DESCRIPTION	GABLE
CODE	AZ - 20x20
SIZE	FRAME
DRAWING NUMBER	TENT
REV	0



ISOMETRIC ELEVATION



SIDE VIEW

20' x 30' GABLE

PIPE: 2"

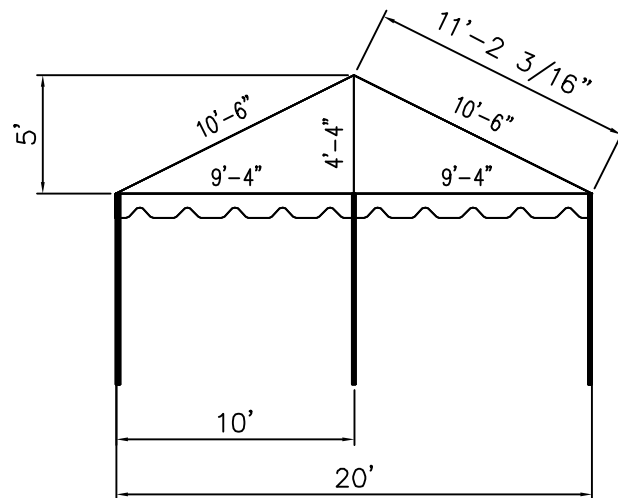
- (10) 6'-8" / 7'-8" / 9'-4" LEGS
- (2) 4'-4" RISER
- (13) 9'-4" RAFTER
- (8) 10'-6" RAFTER

FITTINGS:

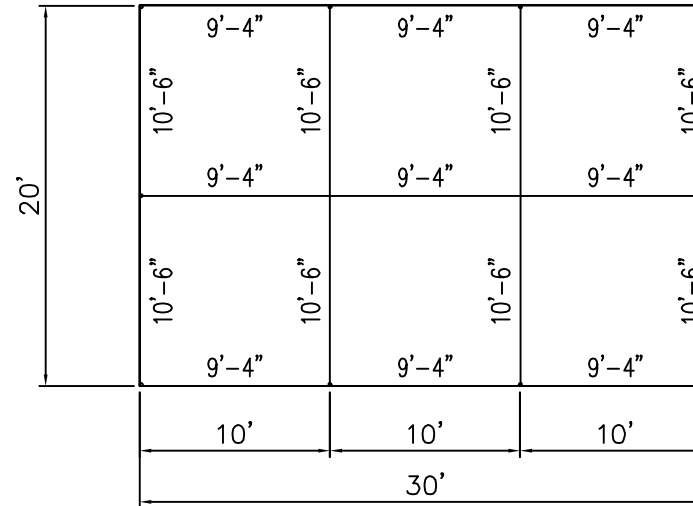
- (4) GABLE CORNER (2R/2L)
- (2) GABLE CROWN
- (2) TOP TEE
- (4) TEES
- (2) GABLE TEE

QWIK TOP OPTIONS:

- (66) ASSEMBLY PINS
- (10) STAKES
- (10) ROPES
- (10) BASEPLATES
- (8) RATCHET TENSIONERS
- (8) QWIK BASE PLATES



FRONT VIEW

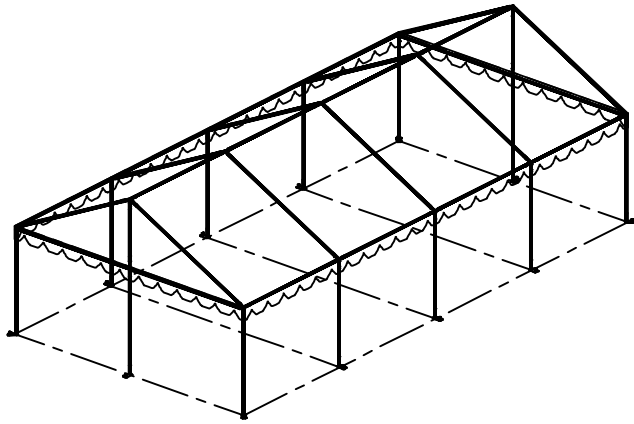


PLAN VIEW

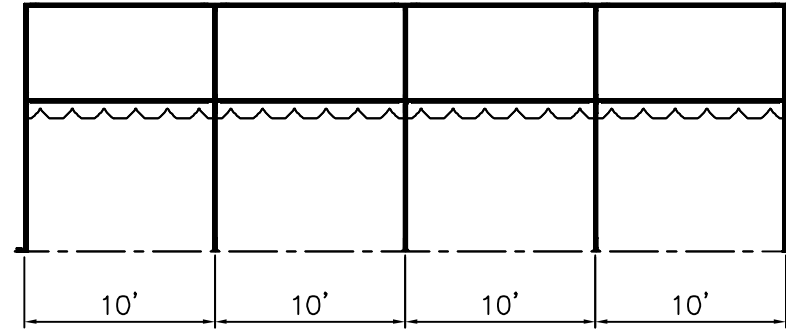
STANDARD	
GABLE FRAME / STANDAR	
20' W x 30' L GABLE	
PART DESCRIPTION	SIZE
AZ 20x30 - GABLE	
CODE	DRAWING NUMBER
	0

	ENGINEER	CM	DATE
			01/03/08
2685 COLUMBIA ST. TORRANCE, CA. 90503 (800) 228-3687 - FAX (310) 381-0722			

ALL DATA AND INFORMATION CONTAINED IN OR DISCLOSED BY THIS DOCUMENT IS CONFIDENTIAL AND PROPRIETARY INFORMATION OF AZTEC TENTS AND ALL RIGHTS THEREIN ARE RESERVED. THE RECIPENT AGREES TO HOLD THIS INFORMATION IN CONFIDENCE AND IN TRUST AND WILL NOT BE COPIED, REPRODUCED WHOLE OR IN PART, NOR ITS CONTENTS REVEALED IN ANY MANNER TO OTHERS, EXCEPT TO MEET THE SPECIFIC PURPOSE FOR WHICH IT WAS DELIVERED.	ENGINEER	CHECKED	DATE
			010308 1740
20x\20x GBL\20x30 GABLE			



ISOMETRIC VIEW



SIDE VIEW

20' x 40' GABLE FRAME TENT

PIPE: 2"

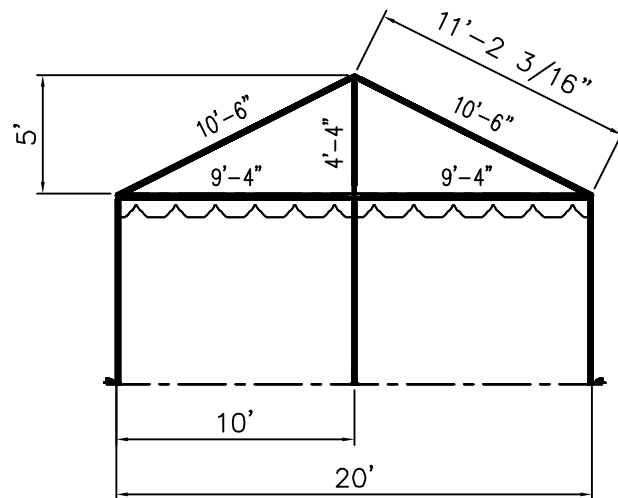
- (12) 6'-8"/7'-8"/9'-4" LEGS
- (2) 4'-4" RISER
- (16) 9'-4" SPREADER
- (10) 10'-6" RAFTER

FITTINGS:

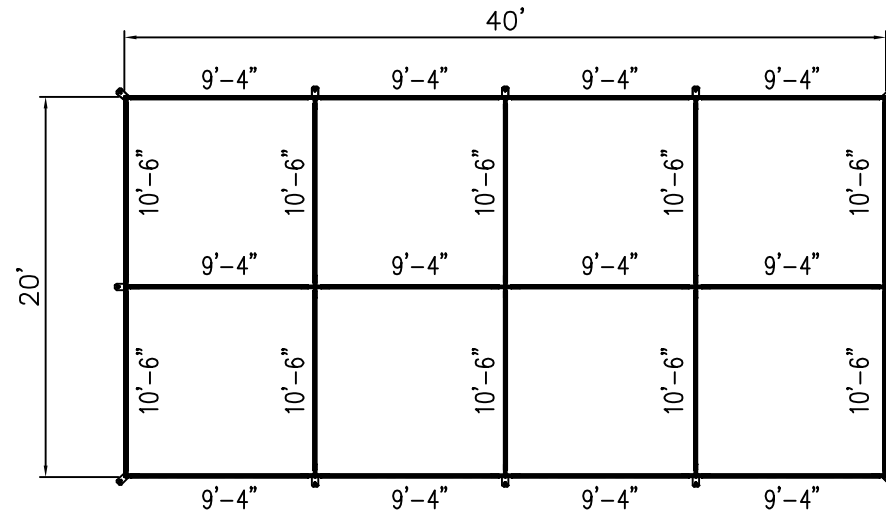
- (4) GABLE CORNER (2R/2L)
- (2) GABLE CROWN
- (3) TOP TEE
- (6) TEES
- (2) GABLE TEE

QWIK TOP OPTIONS:

- (80) ASSEMBLY PINS
- (12) STAKES
- (12) ROPES
- (12) BASEPLATES
- (12) RATCHET TENSIONERS
- (12) QWIK BASE PLATES



FRONT VIEW



PLAN VIEW

<p style="font-size: 8px; margin-top: 5px;">2685 COLUMBIA ST. TORRANCE, CA. 90503 (800) 228-3687 - FAX (310) 381-0722</p>	DRAWN	ELVS	DATE	8/13/2012
	ENGINEER	N/A	CHECKED	-
ALL DATA AND INFORMATION CONTAINED IN OR DISCLOSED BY THIS DOCUMENT IS CONFIDENTIAL AND PROPRIETARY INFORMATION OF AZTEC TENTS AND ALL RIGHTS THEREIN ARE RESERVED. NO PART OF THIS DOCUMENT OR INFORMATION CONTAINED HEREIN IS TO BE REPRODUCED OR TRANSMITTED IN ANY FORM OR BY ANY MEANS, ELECTRONIC OR MECHANICAL, INCLUDING PHOTOCOPYING, RECORDING, OR BY ANY INFORMATION STORAGE AND RETRIEVAL SYSTEM, WITHOUT THE WRITTEN PERMISSION OF AZTEC TENTS. THE INFORMATION CONTAINED HEREIN IS HELD IN CONFIDENCE AND IN TRUST AND WILL NOT BE COPIED, REPRODUCED WHOLE OR IN PART, NOR ITS CONTENTS REVEALED IN ANY MANNER TO OTHERS, WITHOUT THE WRITTEN PERMISSION OF AZTEC TENTS. THIS DOCUMENT IS TO BE USED ONLY FOR THE SPECIFIC PURPOSE FOR WHICH IT WAS DELIVERED.				
STANDARD	FRAME TENT / GABLE			
PART DESCRIPTION	CODE	SIZE	DRAWING NUMBER	
AZ 2040-GABLE	---	---	0	