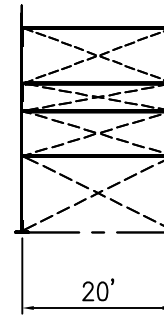
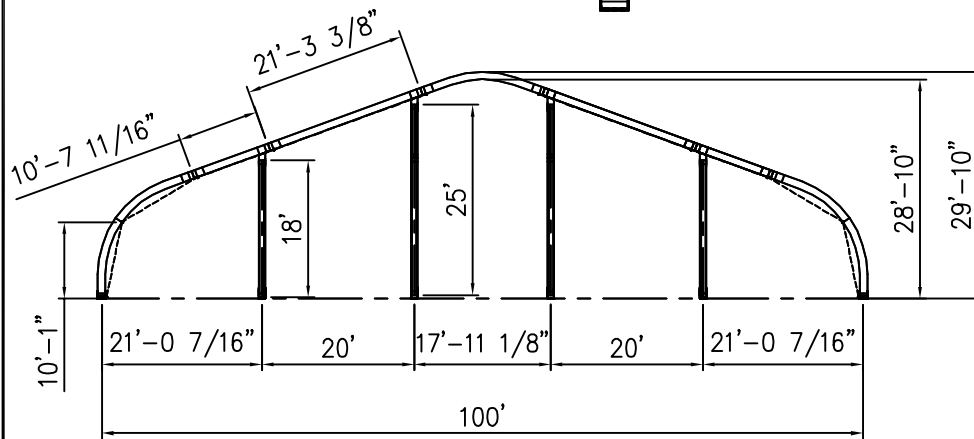
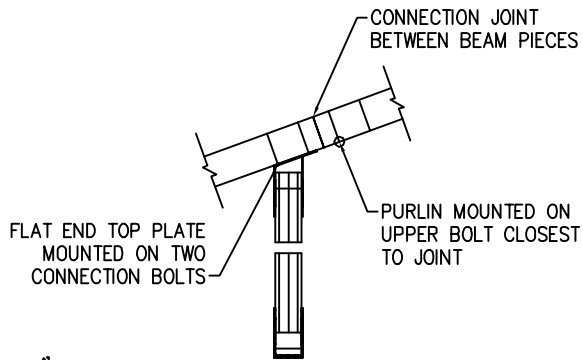


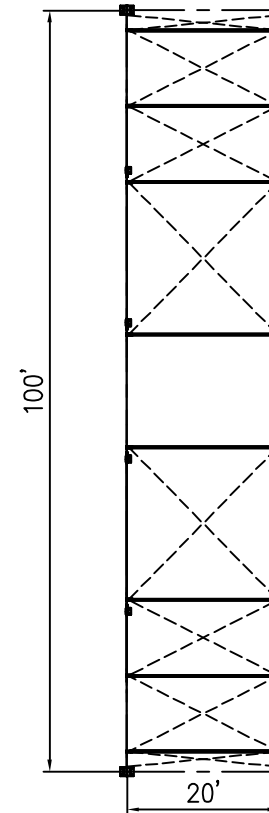
ISOMETRIC ELEVATION



SIDE ELEVATION



FRONT ELEVATION



PLAN ELEVATION



480 ALASKA AVE. TORRANCE, CA. 90503  
(800) 228-3687 - FAX (310) 381-0722

STANDARD

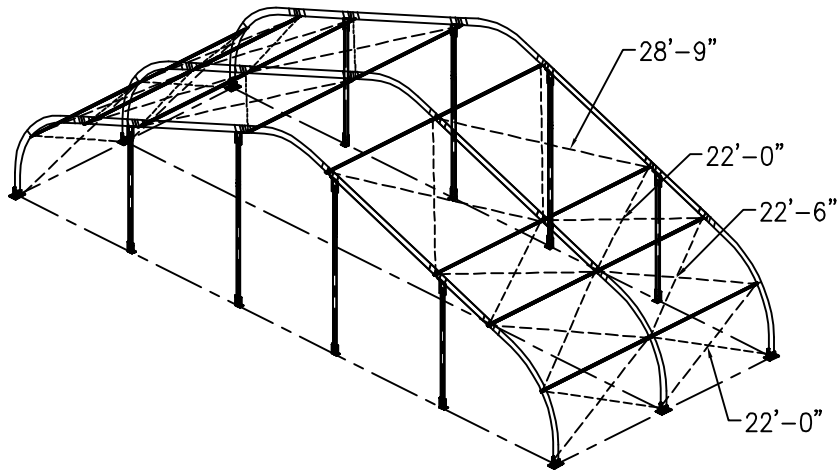
MAXI BEAM STRUCTURE / STANDARD  
100' W x 20' L x 20' BAYS

REV	0
DRAWING NUMBER	AZ-100x20x20-MAXI
CODE	MAXI
PART DESCRIPTION	MAXI
SIZE	20'x20'

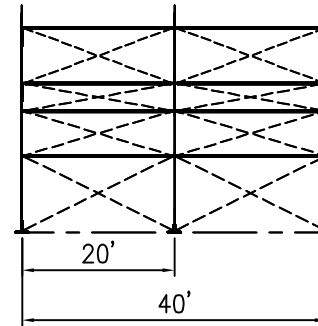
ENGINEER	CM
DRAWN	KT
DATE	04/07/06
CHECKED	-

ALL DATA AND INFORMATION CONTAINED IN OR DISCLOSED BY THIS DOCUMENT IS CONFIDENTIAL AND PROPRIETARY INFORMATION OF AZTEC TENTS AND ALL RIGHTS THEREIN ARE RESERVED BY AZTEC TENTS. THE RECIPIENT AGREES THAT THIS MATERIAL AND INFORMATION CONTAINED HEREIN IS HELD IN CONFIDENCE AND IN TRUST AND WILL NOT BE COPIED, REPRODUCED WHOLE OR IN PART, NOR ITS CONTENTS REVEALED IN ANY MANNER TO OTHERS, WITHOUT THE WRITTEN CONSENT OF AZTEC TENTS. THIS AGREEMENT IS MADE TO MEET THE SPECIFIC PURPOSE FOR WHICH IT WAS DELIVERED.

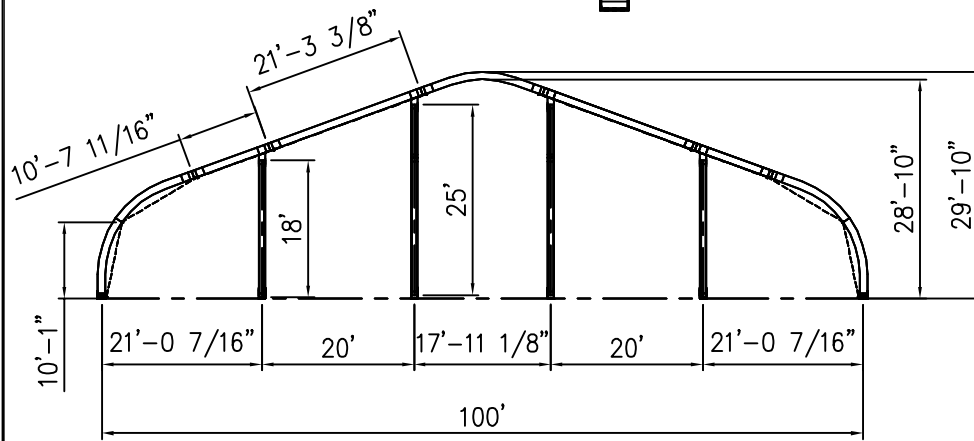
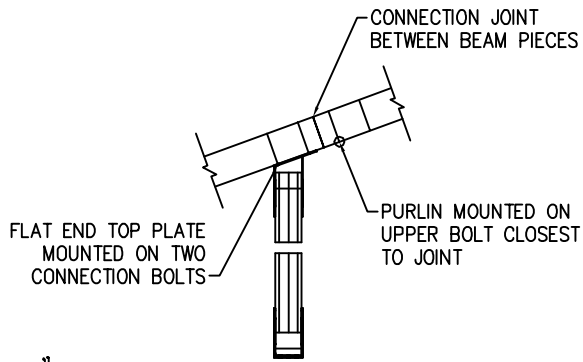
PROJECT	MX\BUILDING\100-W\100x20x20
DATE	040706
SCALE	1300



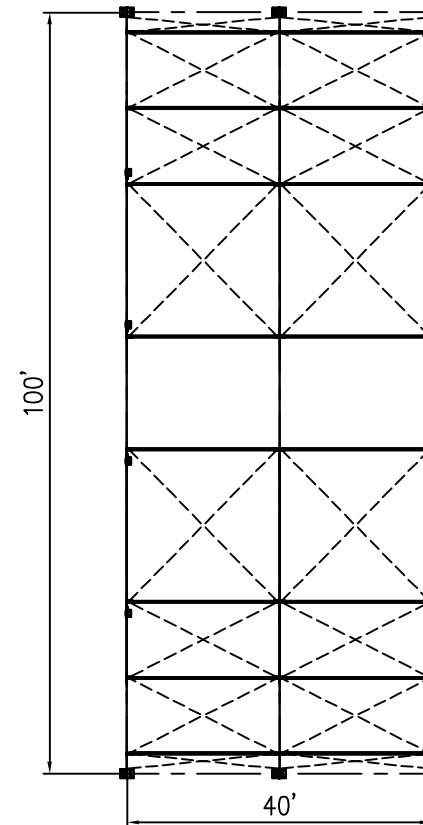
ISOMETRIC ELEVATION



SIDE ELEVATION

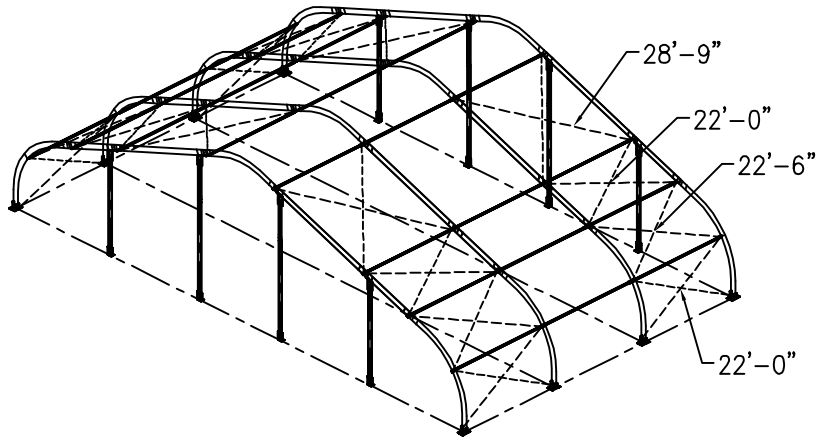


FRONT ELEVATION

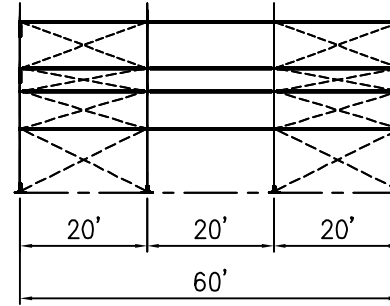


PLAN ELEVATION

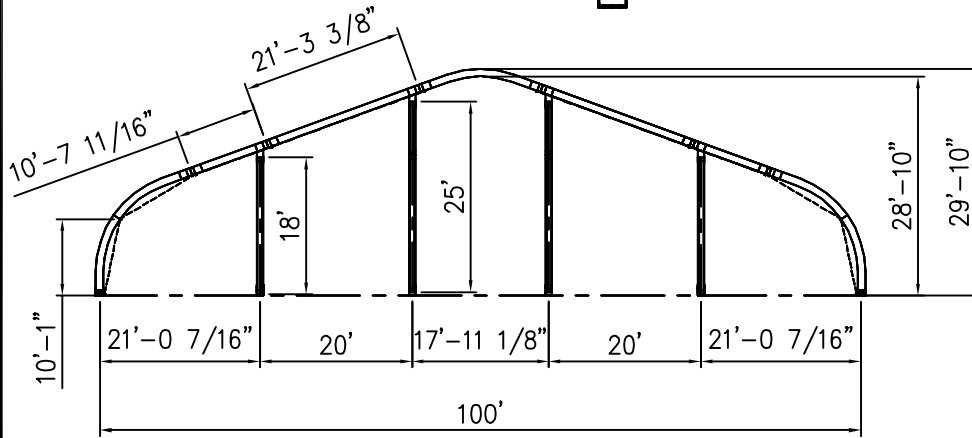
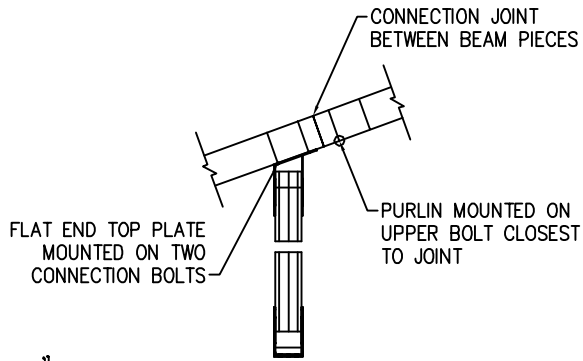
<p>490 ALASKA AVE. TORRANCE, CA. 90503 (800) 228-3687 - FAX (310) 381-0722</p>		STANDARD	
		MAXI BEAM STRUCTURE / STANDARD 100' W x 40' L x 20' BAYS	
ENGINEER	CM	DRAWN	KT
CHECKED	-	DATE	04/07/06
<p>ALL DATA AND INFORMATION CONTAINED IN OR DISCLOSED BY THIS DOCUMENT IS CONFIDENTIAL AND PROPRIETARY INFORMATION OF AZTEC TENTS AND ALL RIGHTS THEREIN ARE RESERVED. THE RECIPIENT AGREES THAT THIS MATERIAL AND INFORMATION CONTAINED HEREIN IS HELD IN CONFIDENCE AND IN TRUST AND WILL NOT BE COPIED, REPRODUCED WHOLE OR IN PART, NOR ITS CONTENTS REVEALED IN ANY MANNER TO OTHERS, WITHOUT THE WRITTEN CONSENT OF AZTEC TENTS, INC. TO MEET THE SPECIFIC PURPOSE FOR WHICH IT WAS DELIVERED.</p>		040706	1310
MX\BUILDING\100-W\100x40x20		040706 1310	



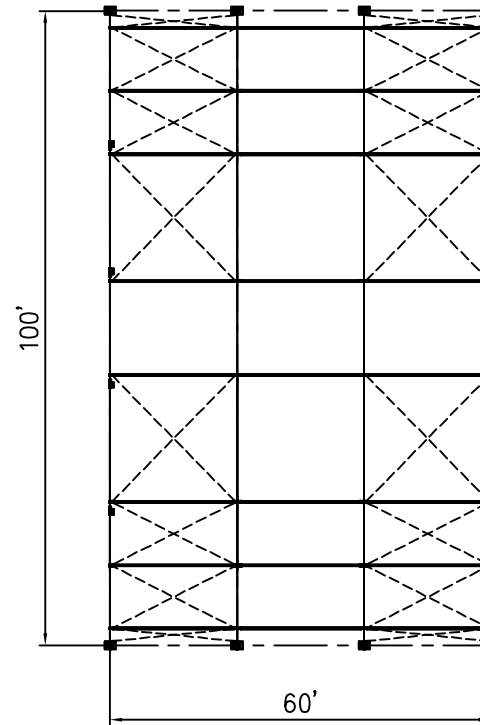
ISOMETRIC ELEVATION



SIDE ELEVATION



FRONT ELEVATION



PLAN ELEVATION



480 ALASKA AVE. TORRANCE, CA. 90503  
(800) 228-3687 - FAX (310) 381-0722

STANDARD

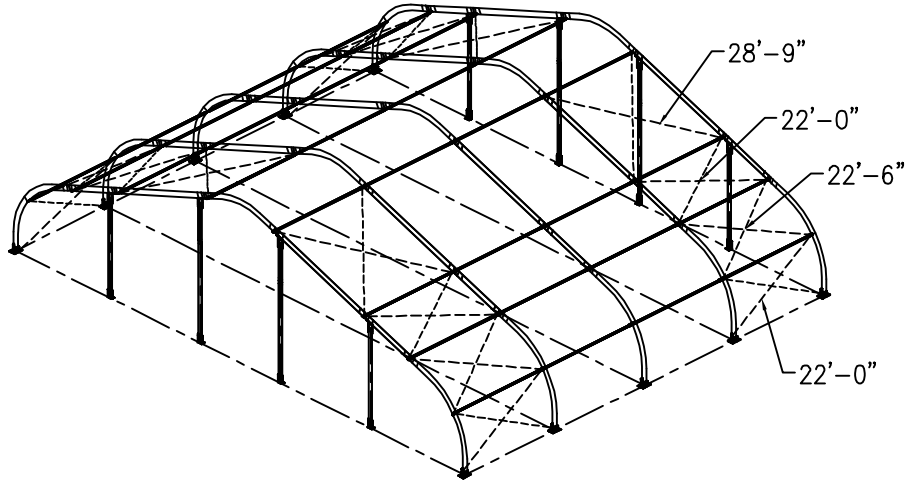
MAXI BEAM STRUCTURE / STANDARD  
100' W x 60' L x 20' BAYS

REV	0
DRAWING NUMBER	MAXI
SIZE	AZ-100x60x20-MAXI
PART DESCRIPTION	MAXI

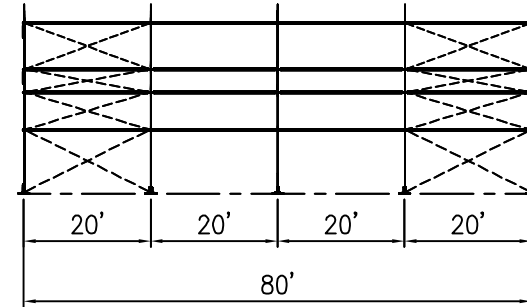
ENGINEER	CM
DRAWN	KT
DATE	04/07/06

ALL DATA AND INFORMATION CONTAINED IN OR DISCLOSED BY THIS DOCUMENT IS CONFIDENTIAL AND PROPRIETARY INFORMATION OF AZTEC TENTS AND ALL RIGHTS THEREIN ARE RESERVED. THE RECIPIENT AGREES THAT THIS MATERIAL AND INFORMATION CONTAINED HEREIN IS HELD IN CONFIDENCE AND IN TRUST AND WILL NOT BE COPIED, REPRODUCED WHOLE OR IN PART, NOR ITS CONTENTS REVEALED IN ANY MANNER TO OTHERS, WITHOUT THE WRITTEN CONSENT OF AZTEC TENTS TO MEET THE SPECIFIC PURPOSE FOR WHICH IT WAS DELIVERED.

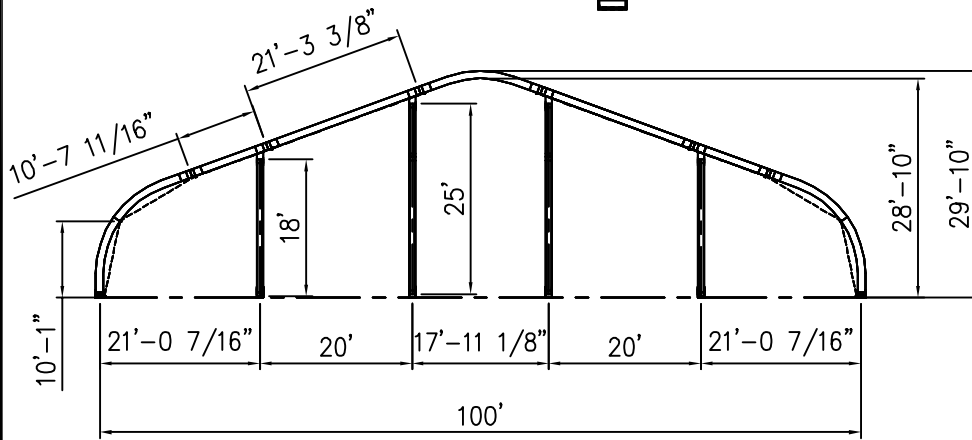
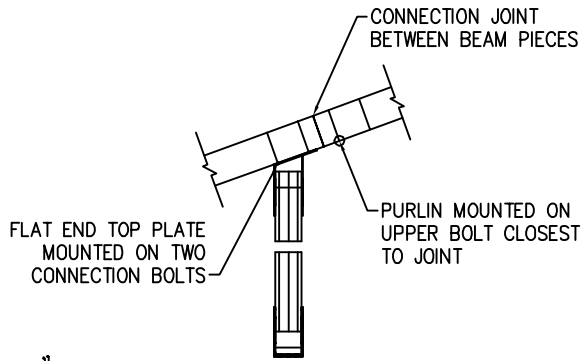
PROJECT	MX\BUILDING\100-W\100x60x20
CHECKED	040706 1320



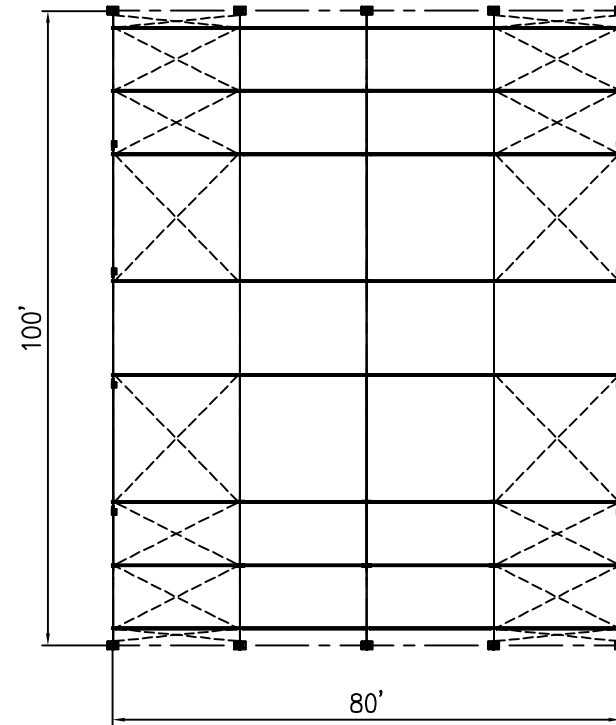
ISOMETRIC ELEVATION



SIDE ELEVATION



FRONT ELEVATION



PLAN ELEVATION



480 ALASKA AVE. TORRANCE, CA. 90503  
(800) 228-3687 - FAX (310) 381-0722

STANDARD

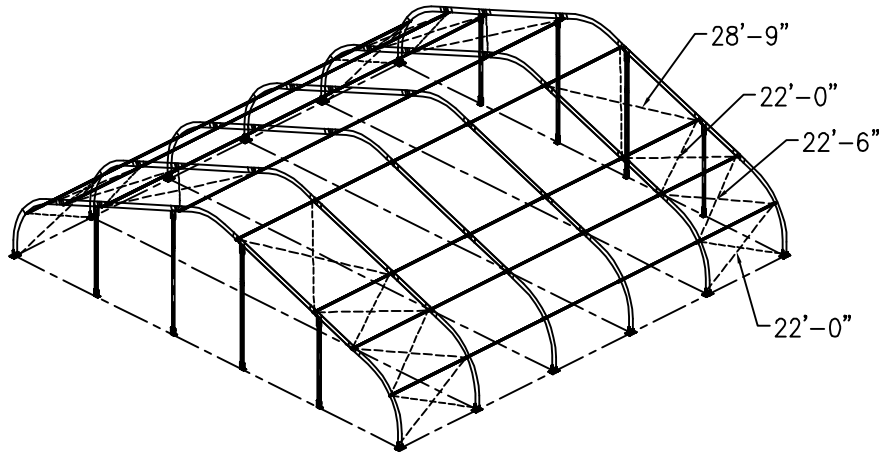
MAXI BEAM STRUCTURE / STANDARD  
100' W x 80' L x 20' BAYS

REV	
DRAWING NUMBER	MAXI
SIZE	AZ-100x80x20-MAXI
CODE	
PART DESCRIPTION	

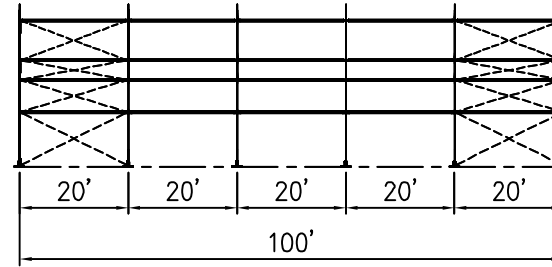
ENGINEER	CM
DRAWN	KT
DATE	04/07/06
CHECKED	-

ALL DATA AND INFORMATION CONTAINED IN OR DISCLOSED BY THIS DOCUMENT IS CONFIDENTIAL AND PROPRIETARY INFORMATION OF AZTEC TENTS AND ALL RIGHTS THEREIN ARE RESERVED BY AZTEC TENTS. THE RECIPIENT AGREES THAT THIS MATERIAL AND INFORMATION CONTAINED HEREIN IS HELD IN CONFIDENCE AND IN TRUST AND WILL NOT BE COPIED, REPRODUCED WHOLE OR IN PART, NOR ITS CONTENTS REVEALED IN ANY MANNER TO OTHERS, WITHOUT THE WRITTEN CONSENT OF AZTEC TENTS. THIS DOCUMENT IS TO MEET THE SPECIFIC PURPOSE FOR WHICH IT WAS DELIVERED.

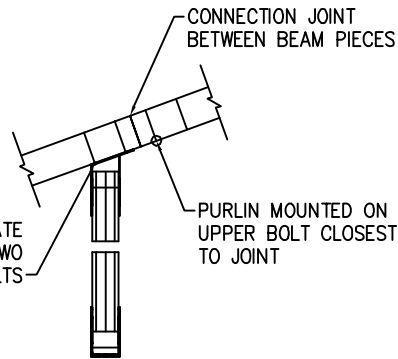
PROJECT	MX\BUILDING\100-W\100x80x20
DATE	040706
REVISION	1335



ISOMETRIC ELEVATION



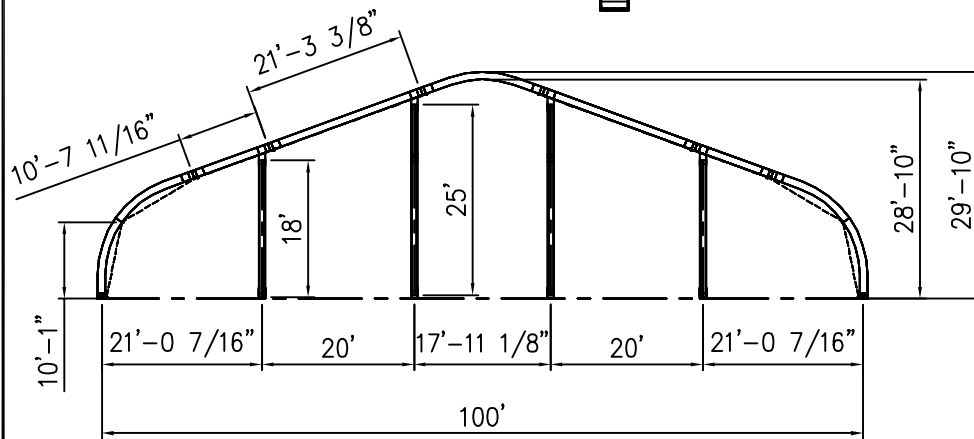
SIDE ELEVATION



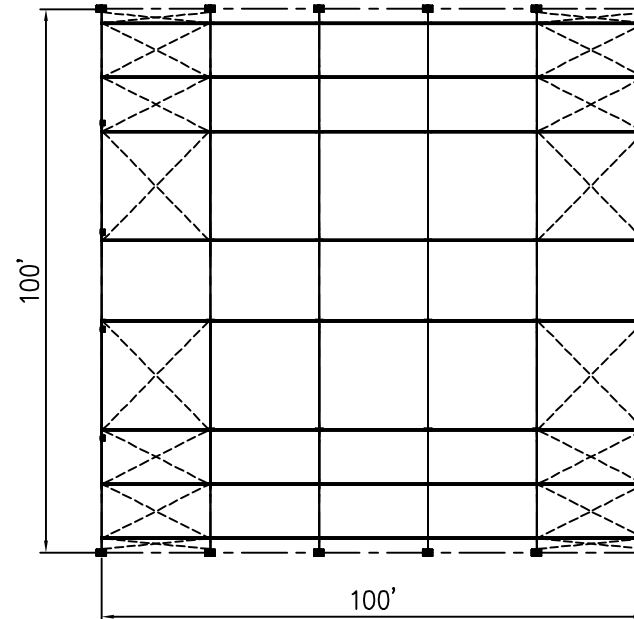
FLAT END TOP PLATE MOUNTED ON TWO CONNECTION BOLTS

CONNECTION JOINT BETWEEN BEAM PIECES

PURLIN MOUNTED ON UPPER BOLT CLOSEST TO JOINT



FRONT ELEVATION



PLAN ELEVATION



480 ALASKA AVE. TORRANCE, CA. 90503  
(800) 228-3687 - FAX (310) 381-0722

STANDARD

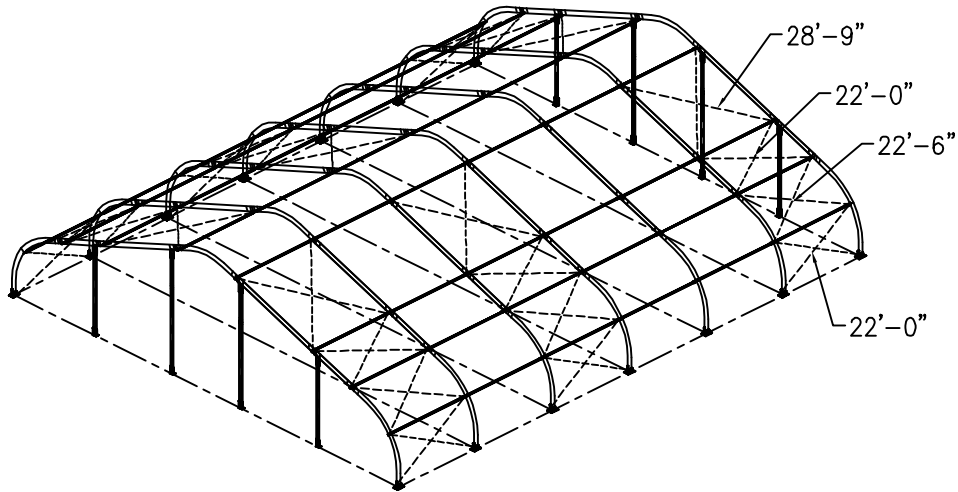
MAXI BEAM STRUCTURE / STANDARD  
100' W x 100' L x 20' BAYS

REV	0
DRAWING NUMBER	MAXI
SIZE	AZ-100x100x20-MAXI
CODE	
PART DESCRIPTION	

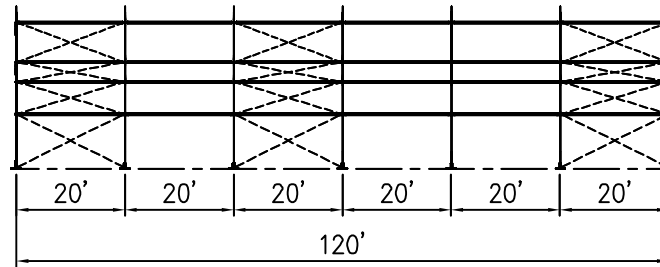
ENGINEER	CM
DRAWN	KT
DATE	04/07/06
CHECKED	-

ALL DATA AND INFORMATION CONTAINED IN OR DISCLOSED BY THIS DOCUMENT IS CONFIDENTIAL AND PROPRIETARY INFORMATION OF AZTEC TENTS AND ALL RIGHTS THEREIN ARE RESERVED BY AZTEC TENTS. THE RECIPIENT AGREES THAT THIS MATERIAL AND INFORMATION CONTAINED HEREIN IS HELD IN CONFIDENCE AND IN TRUST AND WILL NOT BE COPIED, REPRODUCED WHOLE OR IN PART, NOR ITS CONTENTS REVEALED IN ANY MANNER TO OTHERS, WITHOUT THE WRITTEN CONSENT OF AZTEC TENTS. THIS AGREEMENT TO MEET THE SPECIFIC PURPOSE FOR WHICH IT WAS DELIVERED.

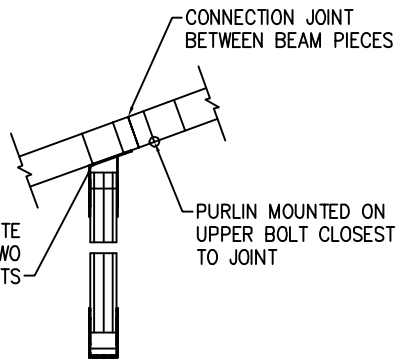
PROJECT	MX\BUILDING\100-W\100x100x20
DATE	040706 1350



ISOMETRIC ELEVATION



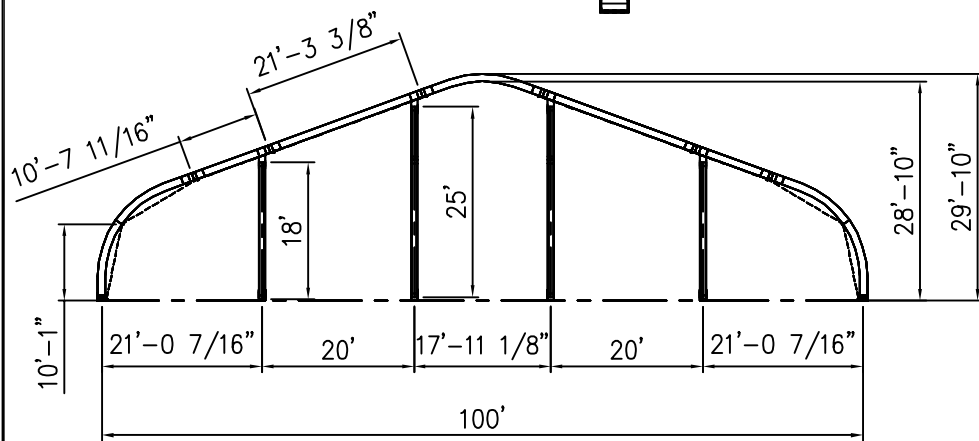
SIDE ELEVATION



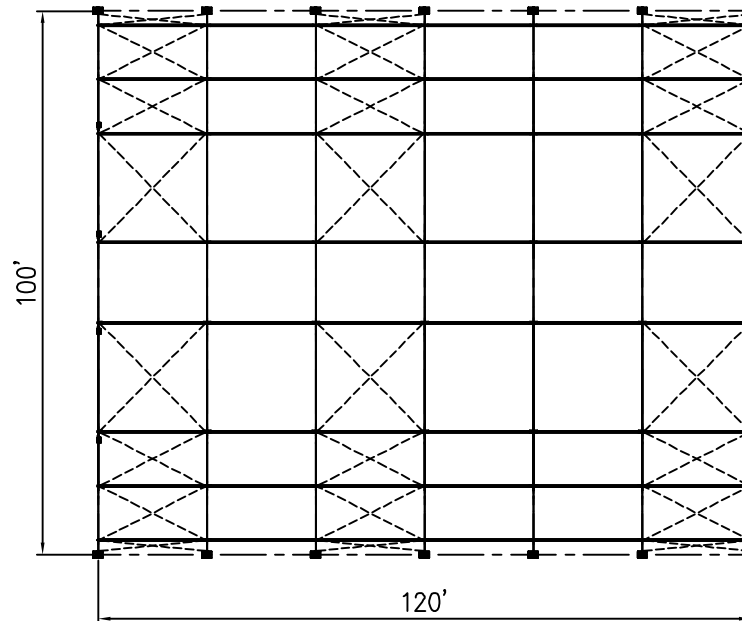
FLAT END TOP PLATE MOUNTED ON TWO CONNECTION BOLTS

CONNECTION JOINT BETWEEN BEAM PIECES

PURLIN MOUNTED ON UPPER BOLT CLOSEST TO JOINT



FRONT ELEVATION



PLAN ELEVATION



480 ALASKA AVE. TORRANCE, CA. 90503  
(800) 228-3687 - FAX (310) 381-0722

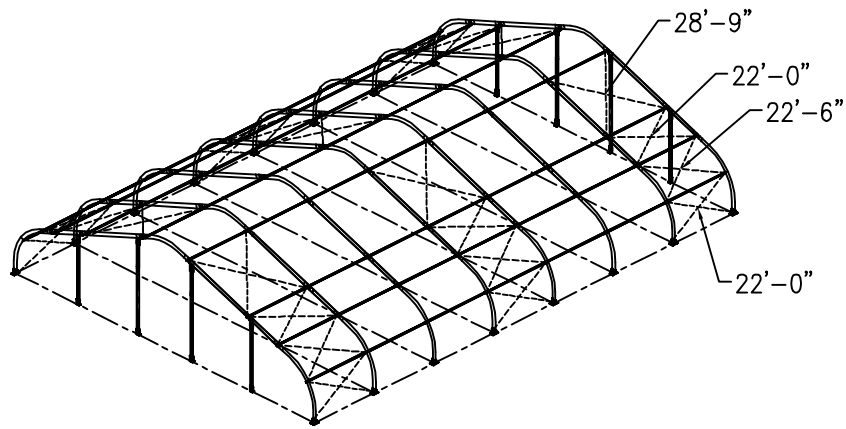
STANDARD

MAXI BEAM STRUCTURE / STANDARD  
100' W x 120' L x 20' BAYS

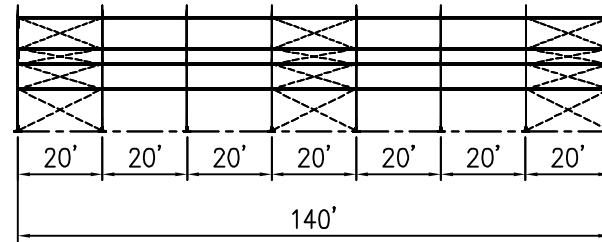
REV	0
DRAWING NUMBER	MAXI
SIZE	AZ-100x120x20-MAXI
CODE	
PART DESCRIPTION	

ENGINEER	CM
DRAWN	KT
DATE	04/07/06
CHECKED	-
040706	1400

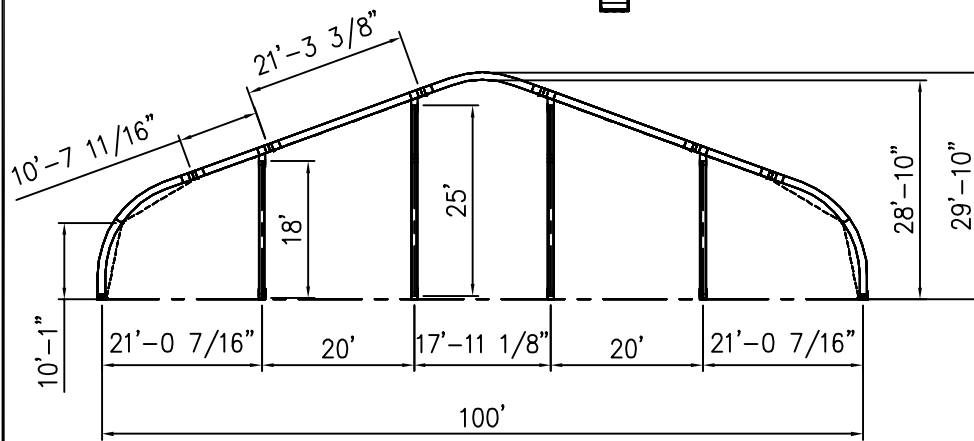
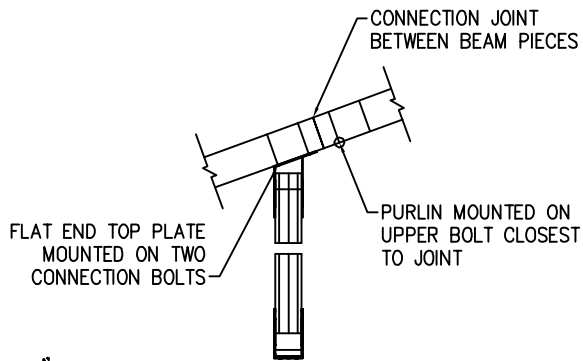
ALL DATA AND INFORMATION CONTAINED IN OR DISCLOSED BY THIS DOCUMENT IS CONFIDENTIAL AND PROPRIETARY INFORMATION OF AZTEC TENTS AND ALL RIGHTS THEREIN ARE RESERVED. THE RECIPIENT AGREES THAT THIS MATERIAL AND INFORMATION CONTAINED HEREIN IS HELD IN CONFIDENCE AND IN TRUST AND WILL NOT BE COPIED, REPRODUCED WHOLE OR IN PART, NOR ITS CONTENTS REVEALED IN ANY MANNER TO OTHERS, WITHOUT THE WRITTEN CONSENT OF AZTEC TENTS, INC. TO MEET THE SPECIFIC PURPOSE FOR WHICH IT WAS DELIVERED.



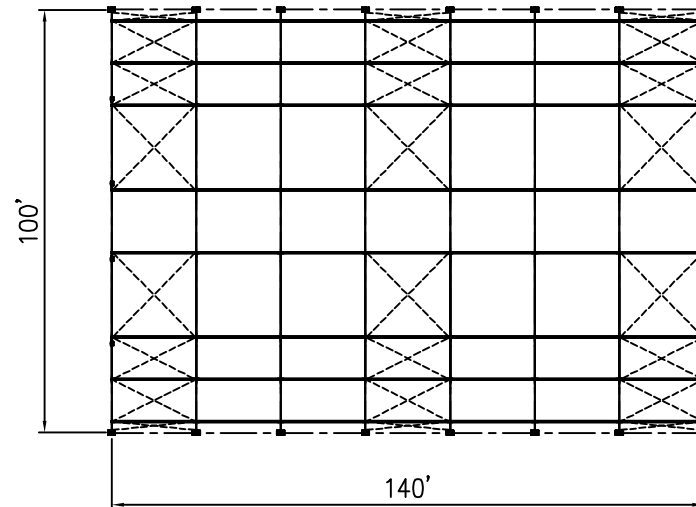
ISOMETRIC ELEVATION



SIDE ELEVATION



FRONT ELEVATION



PLAN ELEVATION



480 ALASKA AVE. TORRANCE, CA. 90503  
(800) 228-3687 - FAX (310) 381-0722

STANDARD

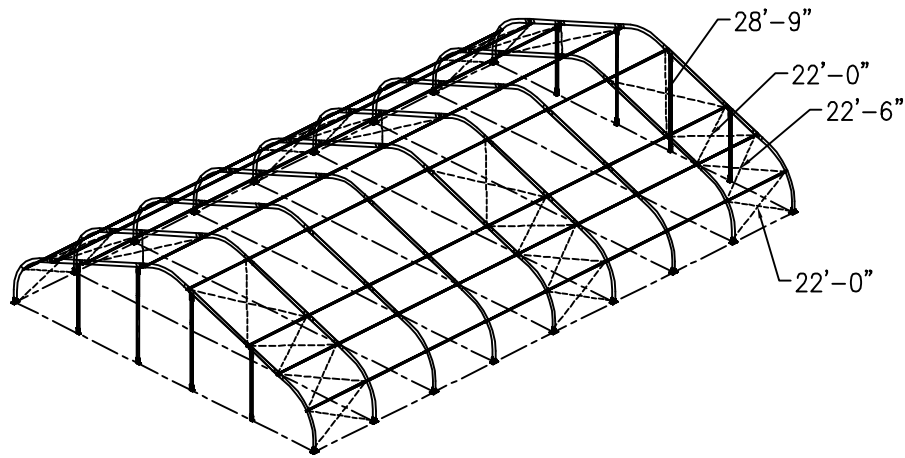
MAXI BEAM STRUCTURE / STANDARD  
100' W x 140' L x 20' BAYS

REV	0
DRAWING NUMBER	MAXI
SIZE	AZ-100x140x20-MAXI
CODE	
PART DESCRIPTION	

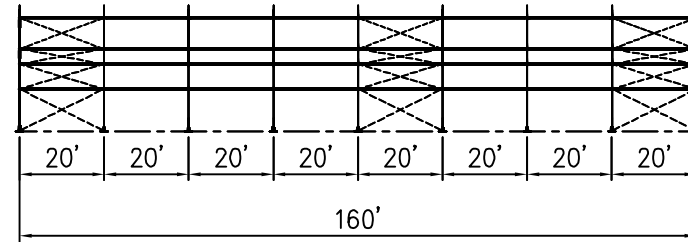
ENGINEER	CM
DRAWN	KT
DATE	04/07/06
CHECKED	-

ALL DATA AND INFORMATION CONTAINED IN OR DISCLOSED BY THIS DOCUMENT IS CONFIDENTIAL AND PROPRIETARY INFORMATION OF AZTEC TENTS AND ALL RIGHTS THEREIN ARE RESERVED. THE RECIPIENT AGREES THAT THIS MATERIAL AND INFORMATION CONTAINED THEREIN IS HELD IN CONFIDENCE AND IN TRUST AND WILL NOT BE COPIED, REPRODUCED WHOLE OR IN PART, NOR ITS CONTENTS REVEALED IN ANY MANNER TO OTHERS, WITHOUT THE WRITTEN CONSENT OF AZTEC TENTS, INC. TO MEET THE SPECIFIC PURPOSE FOR WHICH IT WAS DELIVERED.

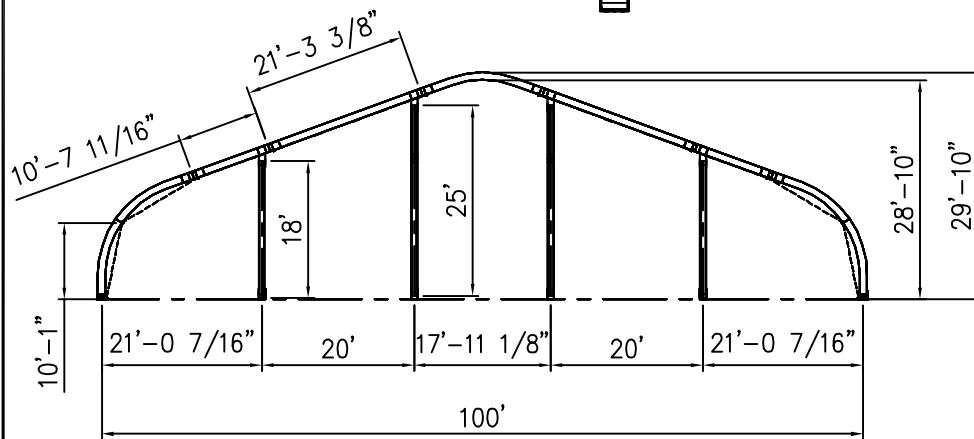
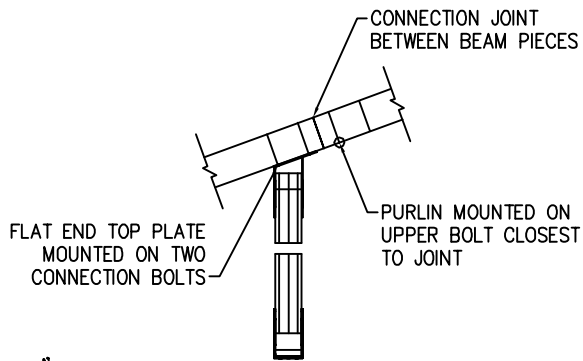
PROJECT	MX\BUILDING\100-W\100x140x20
DATE	040706
NO.	1420



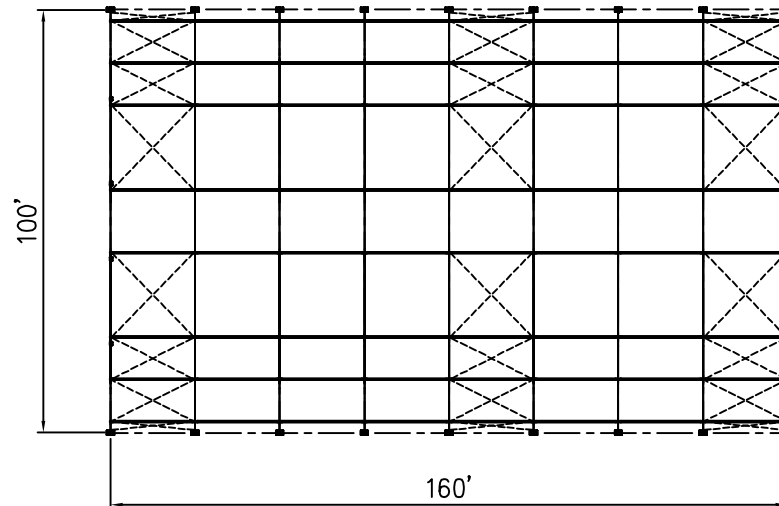
ISOMETRIC ELEVATION



SIDE ELEVATION



FRONT ELEVATION



PLAN ELEVATION



480 ALASKA AVE. TORRANCE, CA. 90503  
(800) 228-3687 - FAX (310) 381-0722

STANDARD

MAXI BEAM STRUCTURE / STANDARD  
100' W x 160' L x 20' BAYS

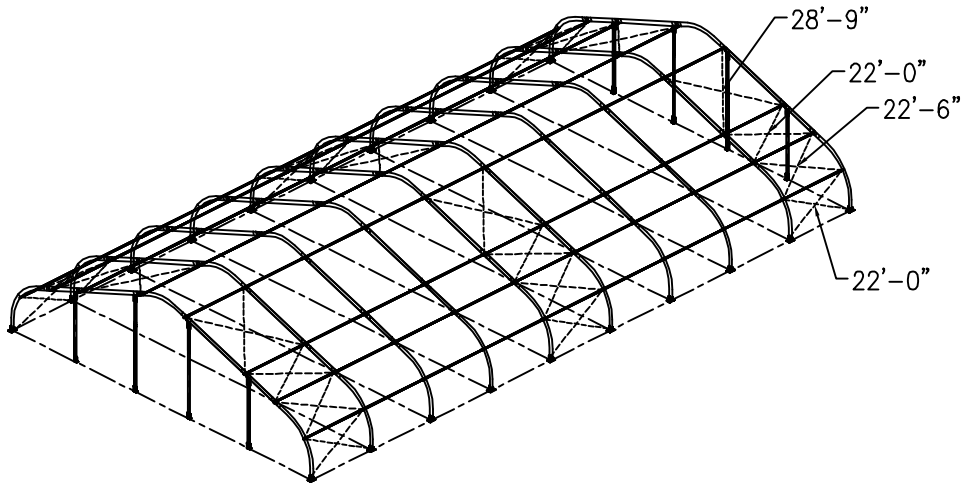
REV	
DRAWING NUMBER	MAXI
SIZE	AZ-100x160x20-MAXI
CODE	
PART DESCRIPTION	

ENGINEER	CM
DRAWN	KT
DATE	04/07/06
CHECKED	-

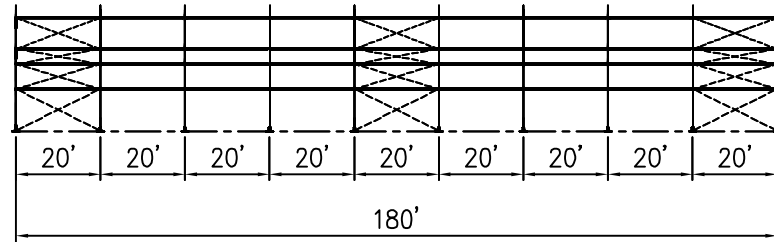
ALL DATA AND INFORMATION CONTAINED IN OR DISCLOSED BY THIS DOCUMENT IS CONFIDENTIAL AND PROPRIETARY INFORMATION OF AZTEC TENTS AND ALL RIGHTS THEREIN ARE RESERVED. THE RECIPIENT AGREES THAT THIS MATERIAL AND INFORMATION CONTAINED THEREIN IS HELD IN CONFIDENCE AND IN TRUST AND WILL NOT BE COPIED, REPRODUCED WHOLE OR IN PART, NOR ITS CONTENTS REVEALED IN ANY MANNER TO OTHERS, WITHOUT THE WRITTEN CONSENT OF AZTEC TENTS, INC. TO MEET THE SPECIFIC PURPOSE FOR WHICH IT WAS DELIVERED.

PROJECT	MX\BUILDING\100-W\100x160x20
DATE	040706 1450

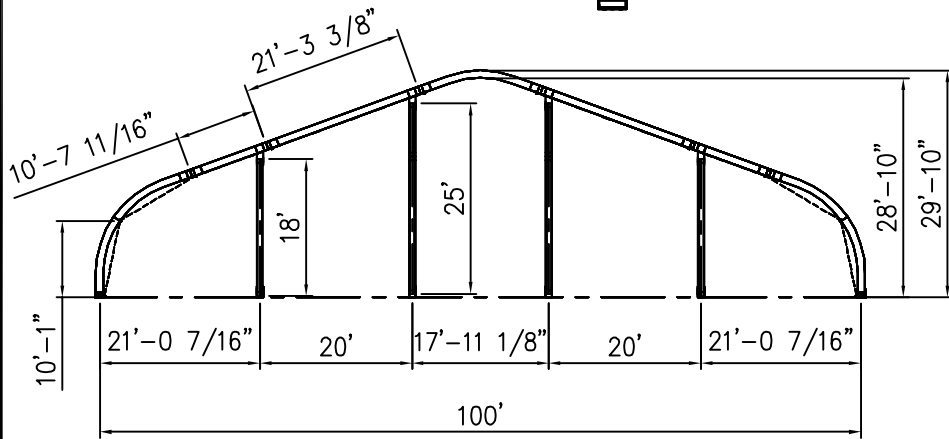
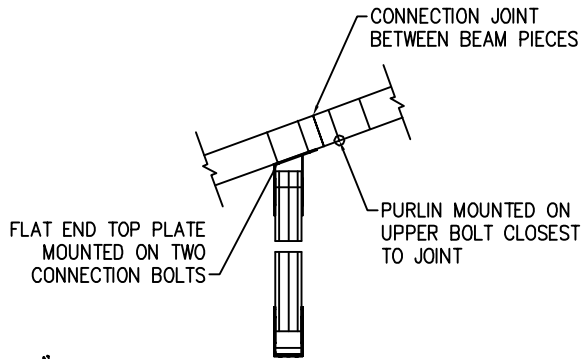




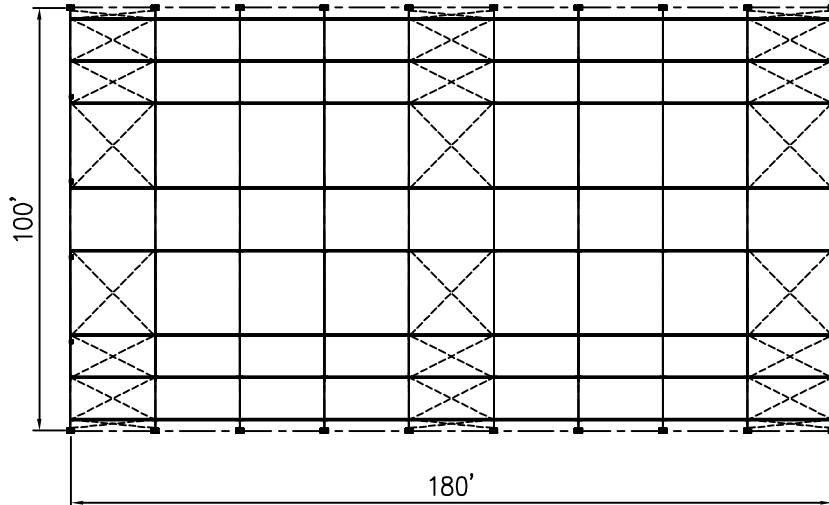
ISOMETRIC ELEVATION



SIDE ELEVATION



FRONT ELEVATION

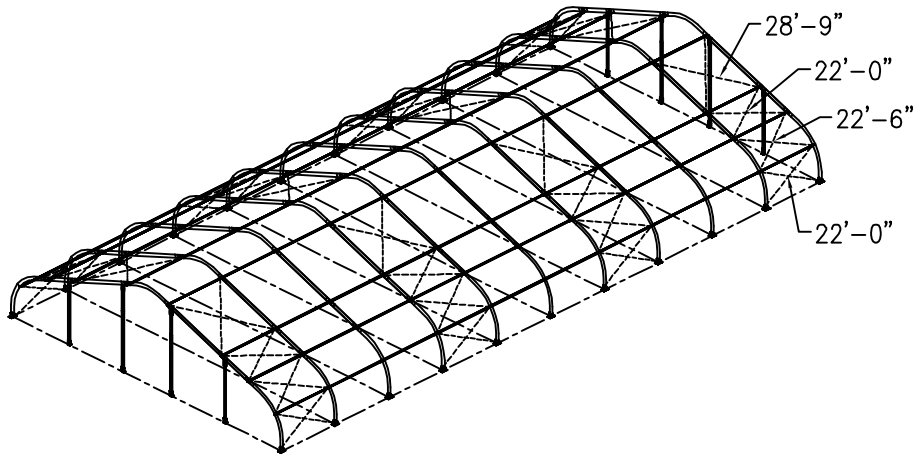


PLAN ELEVATION

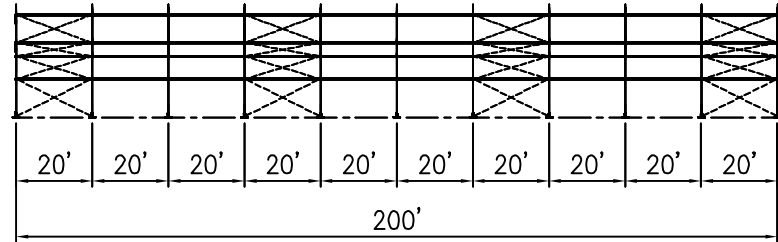
S T A N D A R D	
MAXI BEAM STRUCTURE / STANDARD 100' W x 180' L x 20' BAYS	
PART DESCRIPTION	DRAWING NUMBER
MAXI	AZ-100x180x20-MAXI

<b>AZTEC</b>	
480 ALASKA AVE. TORRANCE, CA. 90503 (800) 228-3687 - FAX (310) 381-0722	
ENGINEER	DATE
CM	04/07/06
-	KT

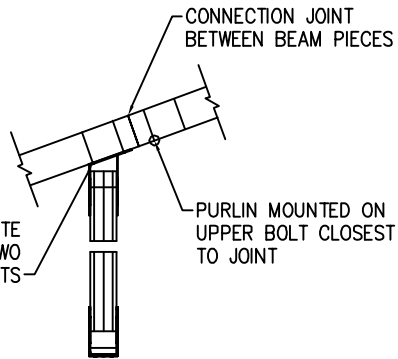
ALL DATA AND INFORMATION CONTAINED IN OR DISCLOSED BY THIS DOCUMENT IS CONFIDENTIAL AND PROPRIETARY INFORMATION OF AZTEC TENTS AND ALL RIGHTS THEREIN ARE RESERVED. THE RECIPIENT AGREES THAT THIS MATERIAL AND INFORMATION CONTAINED THEREIN IS HELD IN CONFIDENCE AND IN TRUST AND WILL NOT BE COPIED, REPRODUCED WHOLE OR IN PART, NOR ITS CONTENTS REVEALED IN ANY MANNER TO OTHERS, WITHOUT THE WRITTEN CONSENT OF AZTEC TENTS TO MEET THE SPECIFIC PURPOSE FOR WHICH IT WAS DELIVERED.	
CHECKED	1500
040706	040706
MX\BUILDING\100-W\100x180x20	



ISOMETRIC ELEVATION



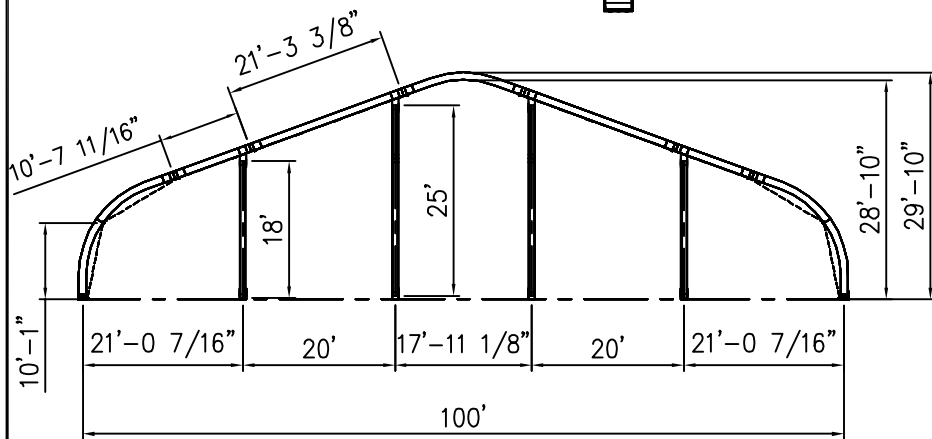
SIDE ELEVATION



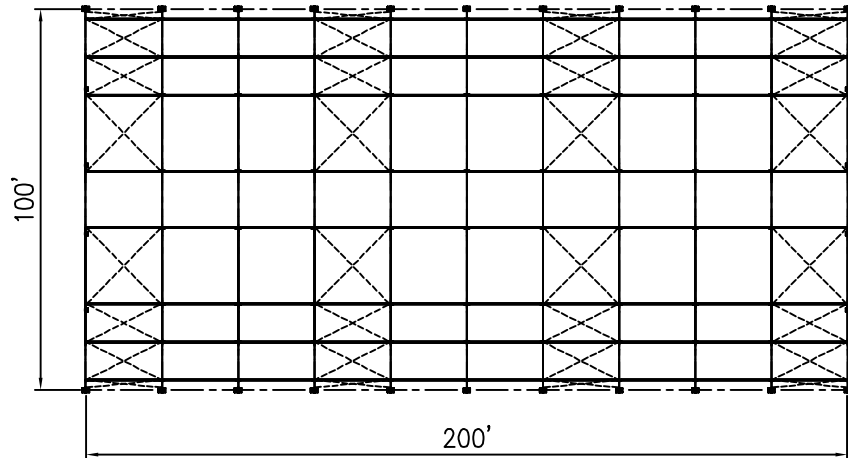
FLAT END TOP PLATE MOUNTED ON TWO CONNECTION BOLTS

CONNECTION JOINT BETWEEN BEAM PIECES

PURLIN MOUNTED ON UPPER BOLT CLOSEST TO JOINT



FRONT ELEVATION



PLAN ELEVATION



480 ALASKA AVE. TORRANCE, CA. 90503  
(800) 228-3687 - FAX (310) 381-0722

STANDARD

MAXI BEAM STRUCTURE / STANDARD  
100' W x 200' L x 20' BAYS

REV	0
DRAWING NUMBER	MAXI
SIZE	AZ-100x200x20-MAXI
CODE	
PART DESCRIPTION	

ENGINEER	CM
DRAWN	KT
DATE	04/07/06
CHECKED	-

ALL DATA AND INFORMATION CONTAINED IN OR DISCLOSED BY THIS DOCUMENT IS CONFIDENTIAL AND PROPRIETARY INFORMATION OF AZTEC TENTS AND ALL RIGHTS THEREIN ARE RESERVED. THE RECIPIENT AGREES THAT THIS MATERIAL AND INFORMATION CONTAINED THEREIN IS HELD IN CONFIDENCE AND IN TRUST AND WILL NOT BE COPIED, REPRODUCED WHOLE OR IN PART, NOR ITS CONTENTS REVEALED IN ANY MANNER TO OTHERS, WITHOUT THE WRITTEN CONSENT OF AZTEC TENTS, INC. TO MEET THE SPECIFIC PURPOSE FOR WHICH IT WAS DELIVERED.

PROJECT	MX\BUILDING\100-W\100x200x20
DATE	040706
NO.	1530