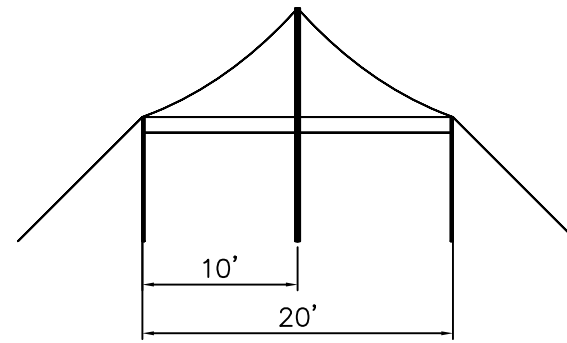
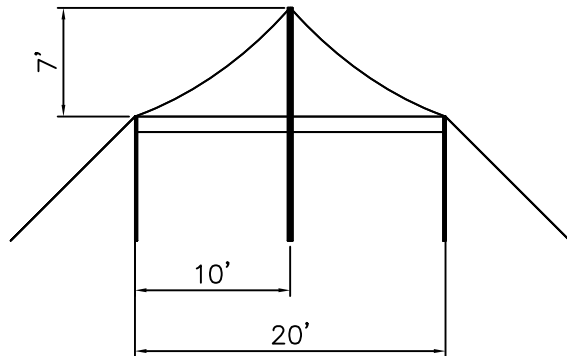


ISOMETRIC ELEVATION



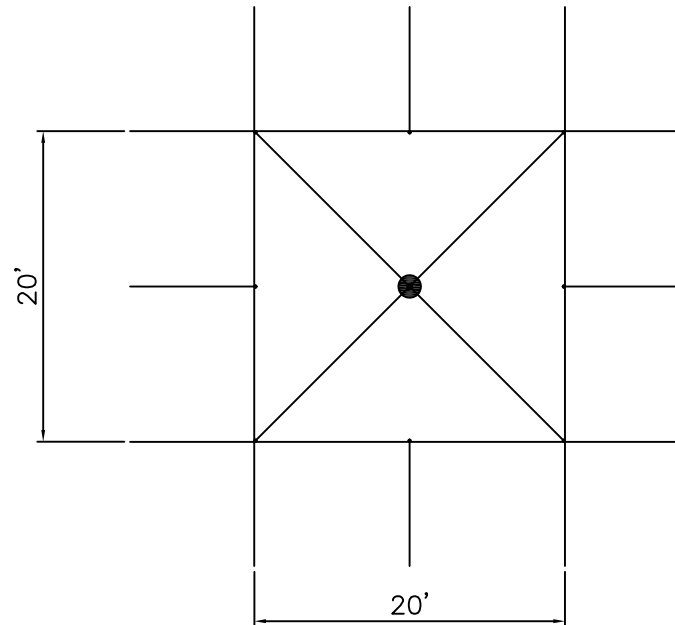
SIDE ELEVATION

SERIES 1500 TENT
20' x 20' 1PC.



FRONT ELEVATION

● = CENTER POLES NOT TO SCALE



PLAN ELEVATION

ALL DATA AND INFORMATION CONTAINED IN OR DISCLOSED BY THIS DOCUMENT IS CONFIDENTIAL AND PROPRIETARY INFORMATION OF AZTEC TENTS AND ALL RIGHTS THEREIN ARE EXPRESSLY RESERVED. BY ACCEPTING THIS MATERIAL THE RECIPIENT AGREES THAT THIS MATERIAL AND INFORMATION CONTAINED THEREIN IS HELD IN CONFIDENCE AND IN TRUST AND WILL NOT BE COPIED, REPRODUCED WHOLE OR IN PART, NOR ITS CONTENTS REVEALED, IN ANY MANNER, TO ANY OTHERS, WITHOUT MEETING THE SPECIFIC PURPOSE FOR WHICH IT WAS DELIVERED.

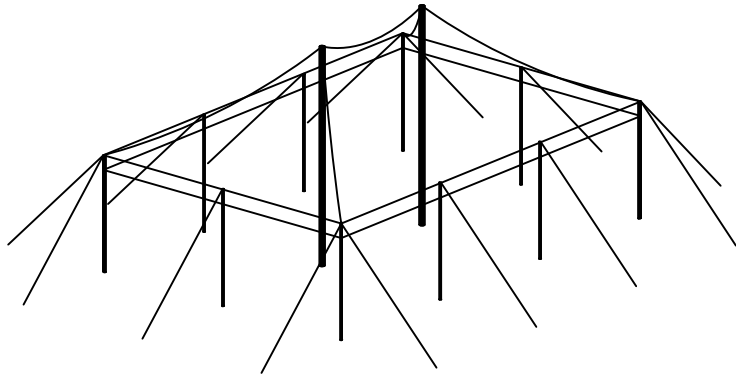
AZTEC TENTS
DESIGN & PRODUCTION
2665 COLUMBIA ST. TORRANCE, CA. 90503
(800) 228-3687 - FAX (310) 381-0722

SERIES 1500 FRAME
SERIES 1500 POLE TENT/STANDARD
20' W X 20' L X 10' LEG SPACING
PART NUMBER: ZXXXXXXX

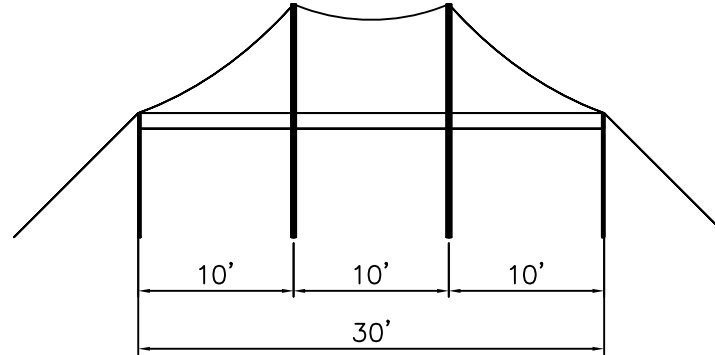
| REVISION HISTORY | | | |
|------------------|-------------|-----|-------|
| REV. | DESCRIPTION | BY: | DATE: |
| | | | |
| | | | |
| | | | |

CONFIDENTIAL

| | |
|------------------|--------------------|
| ENGINEER: N/A | DATE: 4/14/2016 |
| PAGE: 1 OF 1 | DRAWN: HUGO.R |

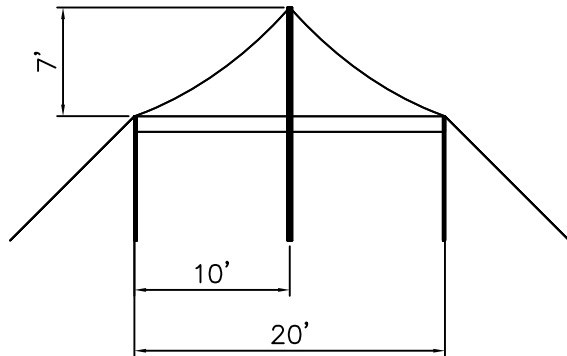


ISOMETRIC ELEVATION



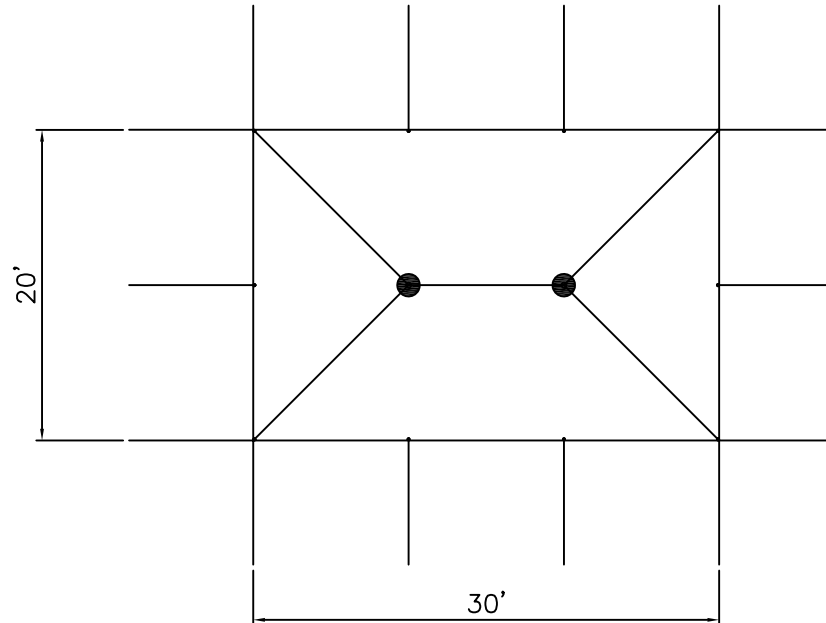
SIDE ELEVATION

SERIES 1500 TENT
20' x 30' 1PC.



FRONT ELEVATION

● = CENTER POLES NOT TO SCALE



PLAN ELEVATION

ALL DATA AND INFORMATION CONTAINED IN OR DISCLOSED BY THIS DOCUMENT IS CONFIDENTIAL AND PROPRIETARY INFORMATION OF AZTEC TENTS AND ALL RIGHTS THEREIN ARE EXPRESSLY RESERVED. BY ACCEPTING THIS MATERIAL THE RECIPIENT AGREES THAT THIS MATERIAL AND INFORMATION CONTAINED THEREIN IS HELD IN CONFIDENCE AND IN TRUST AND WILL NOT BE COPIED, REPRODUCED WHOLE OR IN PART, NOR ITS CONTENTS REVEALED, IN ANY MANNER TO ANY OTHER PARTY WITHOUT THE SPECIFIC PURPOSE FOR WHICH IT WAS DELIVERED.

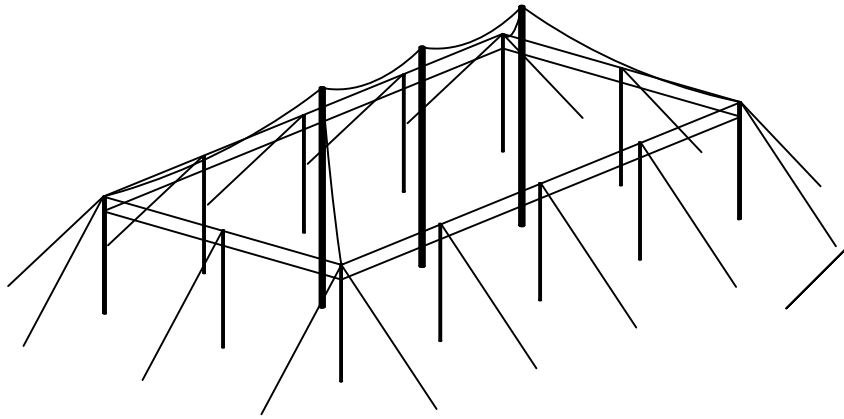
AZTEC TENTS
DESIGN & PRODUCTION
2665 COLUMBIA ST. TORRANCE, CA. 90503
(800) 228-3687 - FAX (310) 381-0722

SERIES 1500 FRAME
SERIES 1500 POLE TENT/STANDARD
20' W X 30' L X 10' LEG SPACING
PART NUMBER: ZXXXXXX

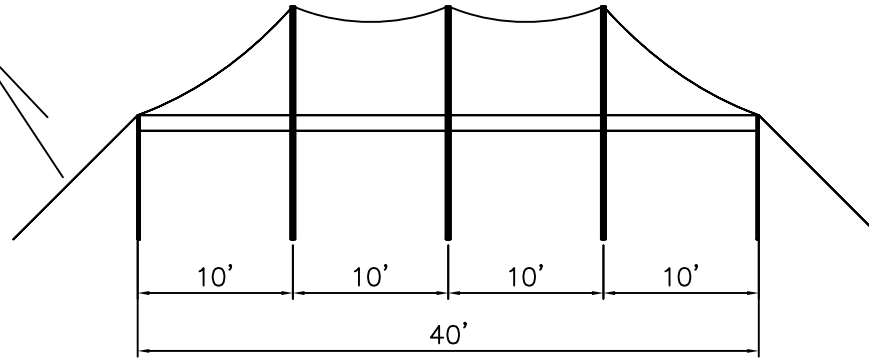
| REVISION HISTORY | | | |
|------------------|-------------|-----|-------|
| REV. | DESCRIPTION | BY: | DATE: |
| | | | |
| | | | |
| | | | |

CONFIDENTIAL

| | |
|------------------|--------------------|
| ENGINEER: N/A | DATE: 4/14/2016 |
| PAGE: 1 OF 1 | DRAWN: HUGO.R |

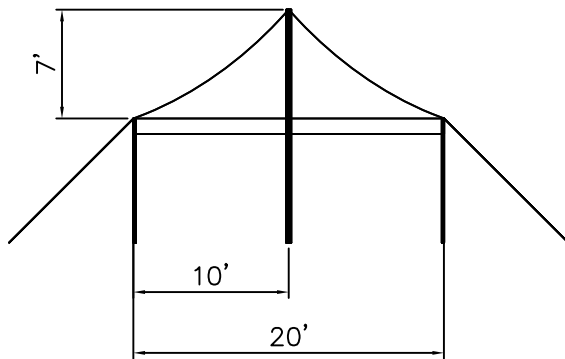


ISOMETRIC ELEVATION



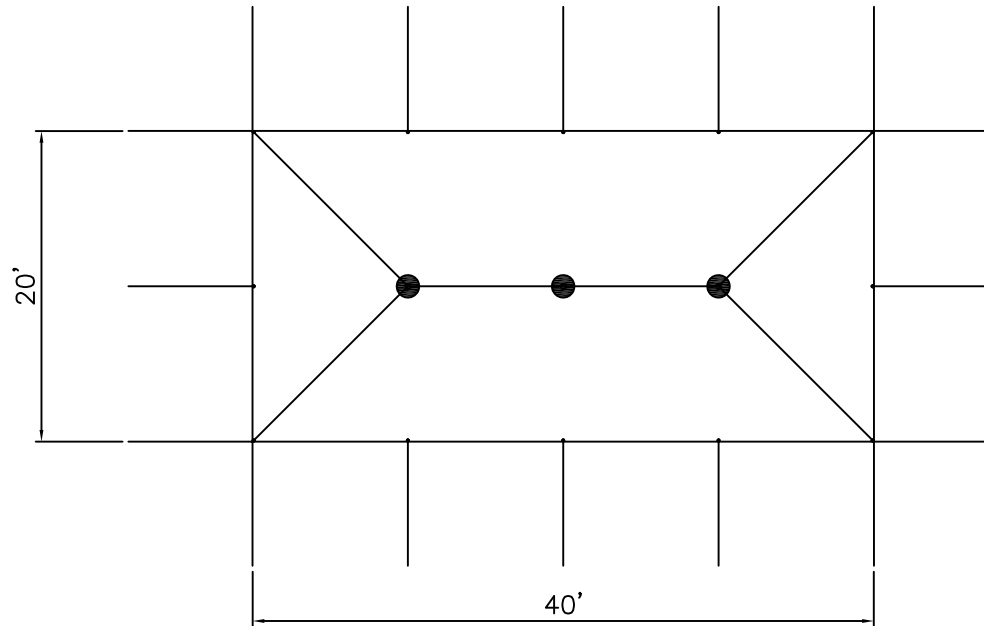
SIDE ELEVATION

SERIES 1500 TENT
20' x 40' 1PC.



FRONT ELEVATION

● = CENTER POLES NOT TO SCALE



PLAN ELEVATION

ALL DATA AND INFORMATION CONTAINED IN OR DISCLOSED BY THIS DOCUMENT IS CONFIDENTIAL AND PROPRIETARY INFORMATION OF AZTEC TENTS AND ALL RIGHTS THEREIN ARE EXPRESSLY RESERVED. BY ACCEPTING THIS MATERIAL THE RECIPIENT AGREES THAT THIS MATERIAL AND INFORMATION CONTAINED THEREIN IS HELD IN CONFIDENCE AND IN TRUST AND WILL NOT BE COPIED, REPRODUCED WHOLE OR IN PART, NOR ITS CONTENTS REVEALED, EITHER ORALLY OR IN WRITING, WITHOUT THE SPECIFIC PURPOSE FOR WHICH IT WAS DELIVERED.

AZTEC TENTS
DESIGN & PRODUCTION
2665 COLUMBIA ST. TORRANCE, CA. 90503
(800) 228-3687 - FAX (310) 381-0722

SERIES 1500 FRAME
SERIES 1500 POLE TENT/STANDARD
20' W X 40' L X 10' LEG SPACING
PART NUMBER: ZXXXXXX

| REVISION HISTORY | | | |
|------------------|-------------|-----|-------|
| REV. | DESCRIPTION | BY: | DATE: |
| | | | |
| | | | |
| | | | |

CONFIDENTIAL

| | |
|------------------|--------------------|
| ENGINEER: N/A | DATE: 4/14/2016 |
| PAGE: 1 OF 1 | DRAWN: HUGO.R |