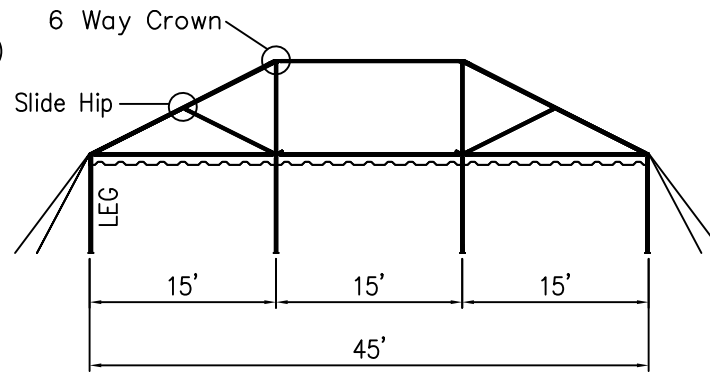
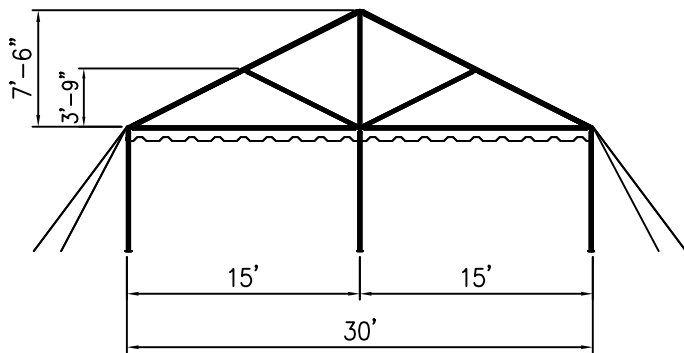


ISOMETRIC VIEW

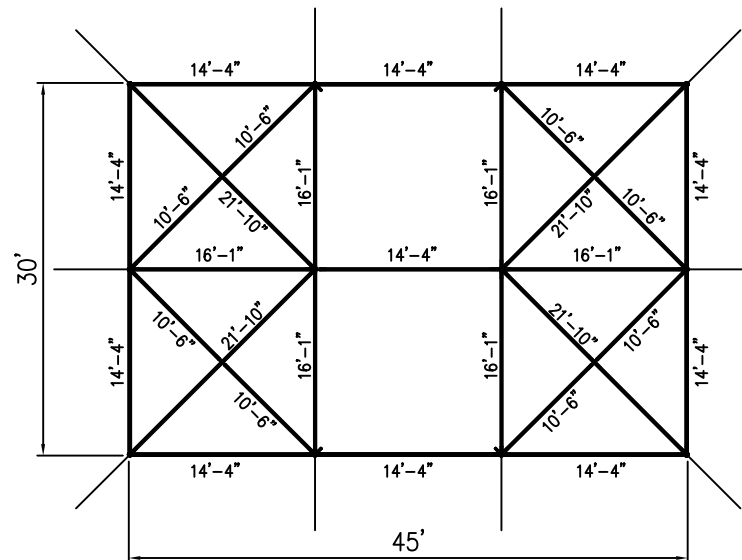


SIDE VIEW

30' x 45' STANDARD FRAME TENT



FRONT VIEW



PLAN VIEW

ALL DATA AND INFORMATION CONTAINED IN OR DISCLOSED BY THIS DOCUMENT IS CONFIDENTIAL AND PROPRIETARY INFORMATION OF AZTEC TENTS AND ALL RIGHTS THEREIN ARE EXPRESSLY RESERVED. BY ACCEPTING THIS MATERIAL THE RECIPIENT AGREES THAT THIS MATERIAL AND INFORMATION CONTAINED THEREIN IS HELD IN CONFIDENCE AND IN TRUST AND WILL NOT BE COPIED, REPRODUCED WHOLE OR IN PART, NOR ITS CONTENTS REVEALED IN ANY MANNER TO OTHERS, EXCEPT TO MEET THE SPECIFIC PURPOSE FOR WHICH IT WAS DELIVERED.

AZTEC TENTS
DESIGN & PRODUCTION
2665 COLUMBIA ST. TORRANCE, CA. 90503
(800) 228-3687 - FAX (310) 381-0722

STANDARD FRAME
FRAME TENT/STANDARD
30'W X 45'L
PART NUMBER: ZXXXXXXX

| REVISION HISTORY | | | |
|------------------|-------------|-----|-------|
| REV. | DESCRIPTION | BY: | DATE: |
| N/A | N/A | N/A | N/A |
| N/A | N/A | N/A | N/A |
| N/A | N/A | N/A | N/A |
| N/A | N/A | N/A | N/A |
| N/A | N/A | N/A | N/A |

CONFIDENTIAL

ENGINEER: N/A DATE: 6/29/2016
PAGE: 1 OF 1 DRAWN: HUGO.R