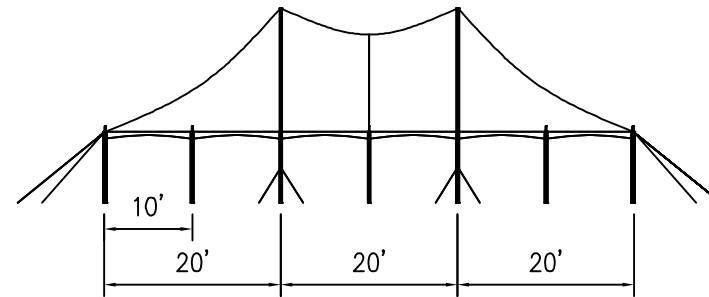


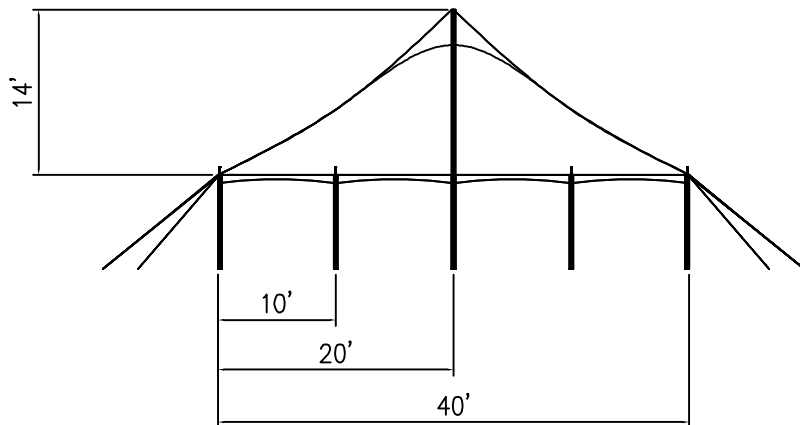
ISOMETRIC VIEW



SIDE VIEW

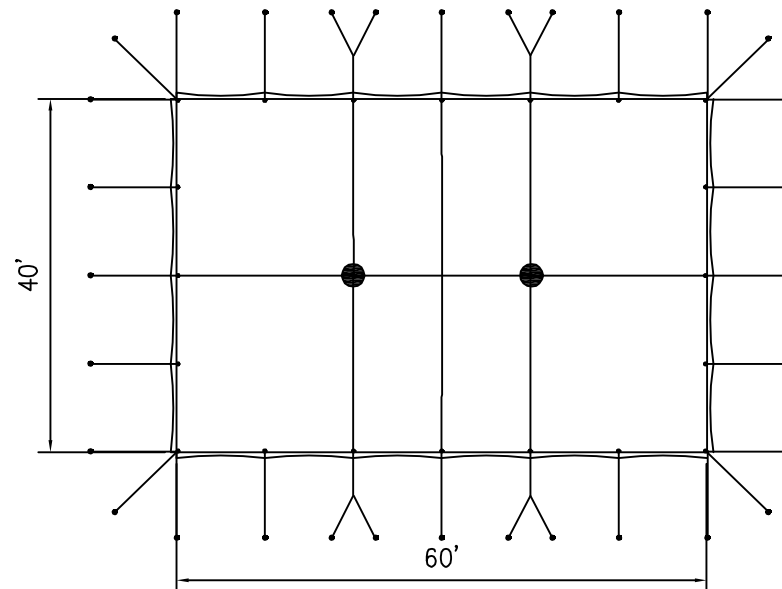
SERIES 1800 TENT
40' x 60'

- (1) 40'x40' 2PC. ENDS
- (1) 40'x20' MIDDLE
- (2) 4" O.D. ALUM. 3PC. CENTER POLE (7'L 21' / 8'L 22')
- (20) 2.5" O.D. ALUM. 1PC SIDE POLE (7'L / 8'L)
- (28) 2" IN-LINE RATCHET - GUY OUT
- (32) 42" DOUBLE HEADED STAKES



FRONT VIEW

- = STAKES NOT TO SCALE
- = CENTER POLES NOT TO SCALE



PLAN VIEW

STANDARD

SERIES 1800 POLE TENT / STANDARD
40'W x 60'L x 20' MIDDLES

| | | |
|--------------|--------------|----------------|
| ORDER NUMBER | SIZE | DRAWING NUMBER |
| # | AZ - 406020- | S1800 |
| REV | | 1 |

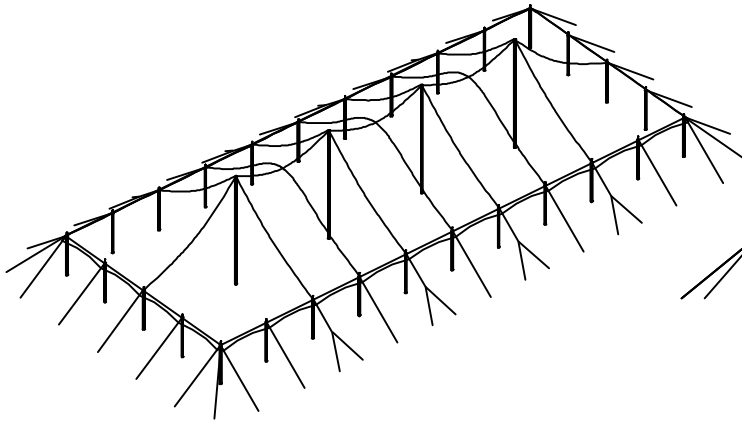
AZTEC
2665 COLUMBIA ST. TORRANCE, CA. 90503
(800) 228-3687 - FAX (310) 381-0722

| | | | |
|----------|-----|-------|--------------|
| ENGINEER | N/A | DRAWN | CRUZ / ELVIS |
| CHECKED | | DATE | 9/21/2012 |

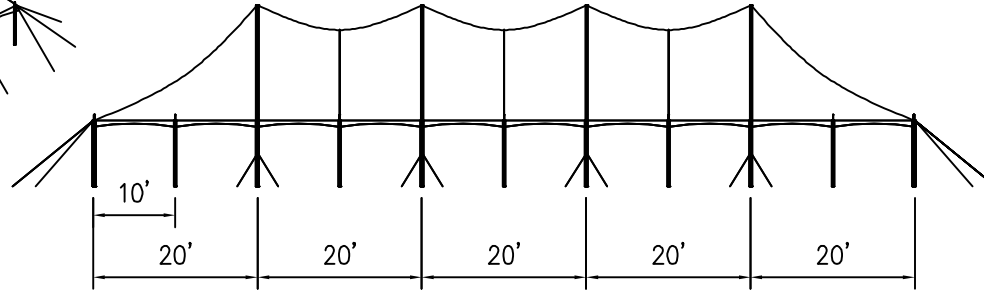
ALL DATA AND INFORMATION CONTAINED IN OR DISCLOSED BY THIS DOCUMENT IS CONFIDENTIAL AND PROPRIETARY INFORMATION OF AZTEC TENTS AND ALL RIGHTS THEREIN ARE EXPRESSLY RESERVED. BY ACCEPTING THIS MATERIAL THE RECIPIENT AGREES THAT THIS MATERIAL AND INFORMATION CONTAINED THEREIN IS HELD IN CONFIDENCE AND IN TRUST, AND WILL NOT BE COPIED, REPRODUCED, WHOLE OR IN PART, NOR ITS CONTENTS REVEALED IN ANY MANNER TO OTHERS, EXCEPT TO MEET THE SPECIFIC PURPOSE FOR WHICH IT WAS DELIVERED.

REVISIONS:

| | |
|--------------|--|
| REVISION BY: | |
|--------------|--|



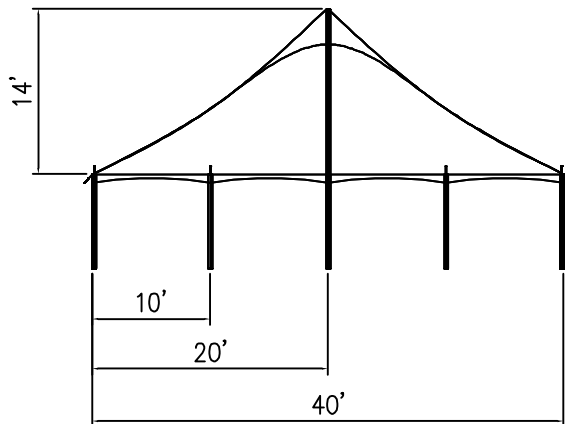
ISOMETRIC VIEW



SIDE VIEW

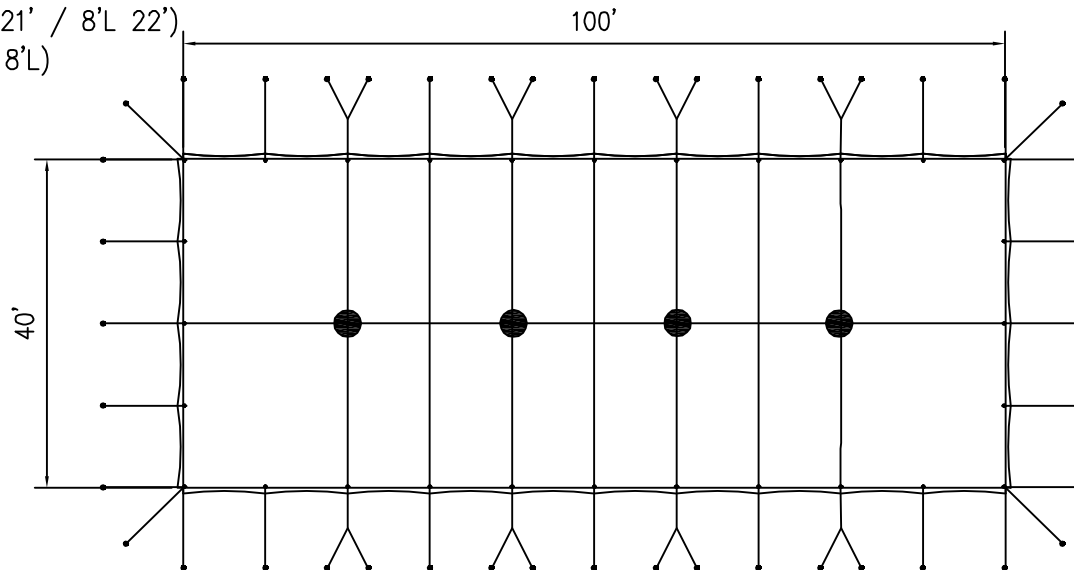
SERIES 1800 POLE TENT
40' x 100'

- (1) 40'x40' 2PC. ENDS
- (3) 40'x20' MIDDLE
- (4) 4" O.D. ALUM. 3PC. CENTER POLE (7'L 21' / 8'L 22')
- (28) 2.5" O.D. ALUM. 1PC SIDE POLE (7'L / 8'L)
- (36) 2" IN-LINE RATCHET - GUY OUT
- (44) 42" DOUBLE HEADED STAKES



FRONT VIEW

- = STAKES NOT TO SCALE
- = CENTER POLES NOT TO SCALE

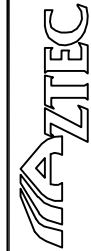


PLAN VIEW

STANDARD

SERIES 1800 POLE TENT / STANDARD
40'W x 100'L x 20' MIDDLES

| | | |
|--------------|---------------|----------------|
| ORDER NUMBER | SIZE | DRAWING NUMBER |
| # | AZ - 4010020- | S1800 |
| REV | | 0 |

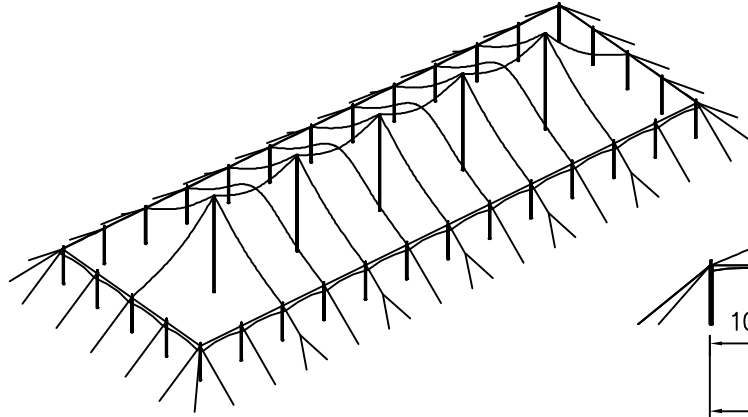


2665 COLUMBIA ST. TORRANCE, CA. 90503
(800) 228-3687 - FAX (310) 381-0722

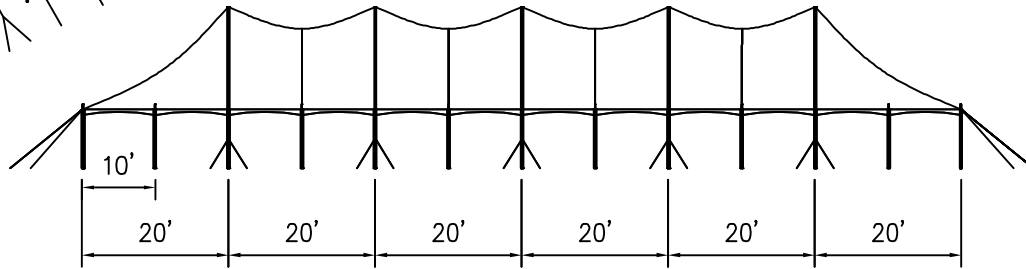
| | | | |
|----------|-----|-------|-----------|
| ENGINEER | N/A | DRAWN | ELVIS |
| CHECKED | | DATE | 9/21/2012 |

ALL DATA AND INFORMATION CONTAINED IN OR DISCLOSED BY THIS DOCUMENT IS CONFIDENTIAL AND PROPRIETARY INFORMATION OF AZTEC TENTS AND ALL RIGHTS THEREIN ARE EXPRESSLY RESERVED. BY ACCEPTING THIS MATERIAL THE RECIPIENT AGREES THAT THIS MATERIAL AND INFORMATION CONTAINED THEREIN IS HELD IN CONFIDENCE AND IN TRUST, AND WILL NOT BE COPIED, REPRODUCED, WHOLE OR IN PART, NOR ITS CONTENTS REVEALED IN ANY MANNER TO OTHERS, EXCEPT TO MEET THE SPECIFIC PURPOSE FOR WHICH IT WAS DELIVERED.

PAGE : 1 REVISE BY :



ISOMETRIC VIEW

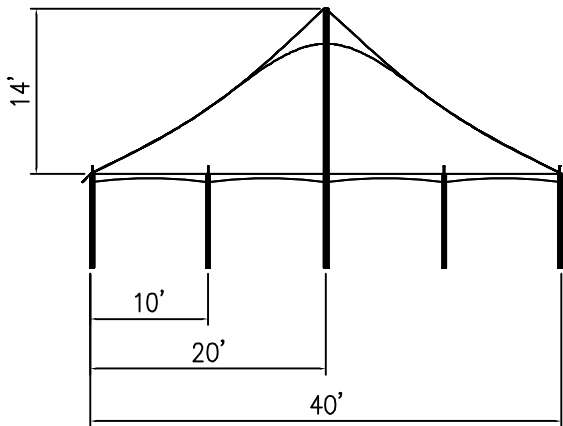


SIDE VIEW

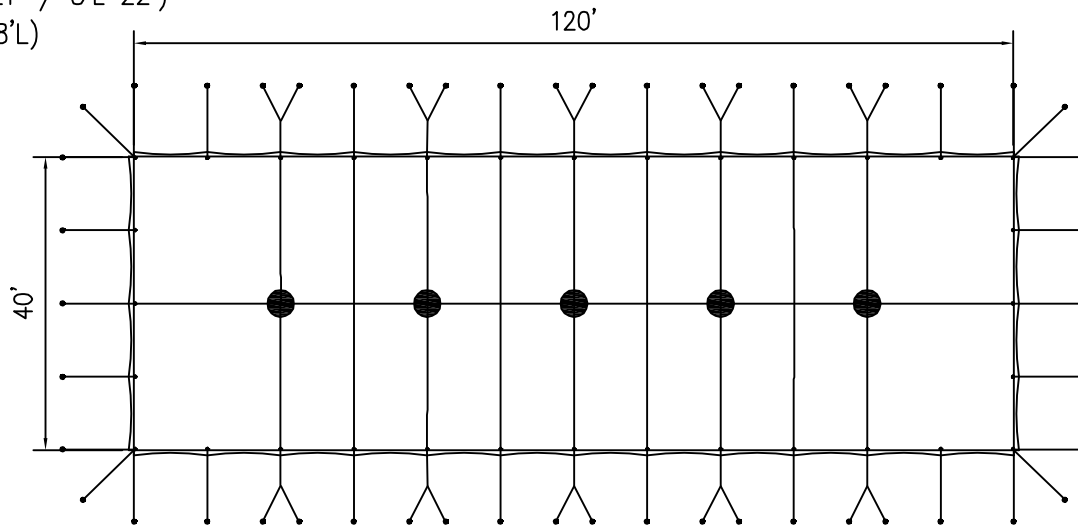
SERIES 1800 POLE TENT
40' x 120'

- (1) 40'x40' 2PC. ENDS
- (4) 40'x20' MIDDLE
- (5) 4" O.D. ALUM. 3PC. CENTER POLE (7'L 21' / 8'L 22')
- (32) 2.5" O.D. ALUM. 1PC SIDE POLE (7'L / 8'L)
- (40) 2" IN-LINE RATCHET - GUY OUT
- (50) 42" DOUBLE HEADED STAKES

- = STAKES NOT TO SCALE
- = CENTER POLES NOT TO SCALE



FRONT VIEW



PLAN VIEW

STANDARD

SERIES 1800 POLE TENT / STANDARD
40'W x 120'L x 20' MIDDLES

| | | |
|--------------|---------------|----------------|
| ORDER NUMBER | SIZE | DRAWING NUMBER |
| # | AZ - 4012020- | S1800 |
| REV | | 0 |



2665 COLUMBIA ST. TORRANCE, CA. 90503
(800) 228-3687 - FAX (310) 381-0722

| | | |
|----------|-------|-----------|
| ENGINEER | DRAWN | DATE |
| N/A | ELVIS | 9/21/2012 |
| CHECKED | | |

ALL DATA AND INFORMATION CONTAINED IN OR DISCLOSED BY THIS DOCUMENT IS CONFIDENTIAL AND PROPRIETARY INFORMATION OF AZTEC TENTS AND ALL RIGHTS THEREIN ARE EXPRESSLY RESERVED. BY ACCEPTING THIS MATERIAL THE RECIPIENT AGREES THAT THIS MATERIAL AND INFORMATION CONTAINED HEREIN IS HELD IN CONFIDENCE AND IN TRUST, AND WILL NOT BE COPIED, REPRODUCED, WHOLE OR IN PART, NOR ITS CONTENTS REVEALED IN ANY MANNER TO OTHERS, EXCEPT TO MEET THE SPECIFIC PURPOSE FOR WHICH IT WAS DELIVERED.

REVISIONS
PAGE : 1