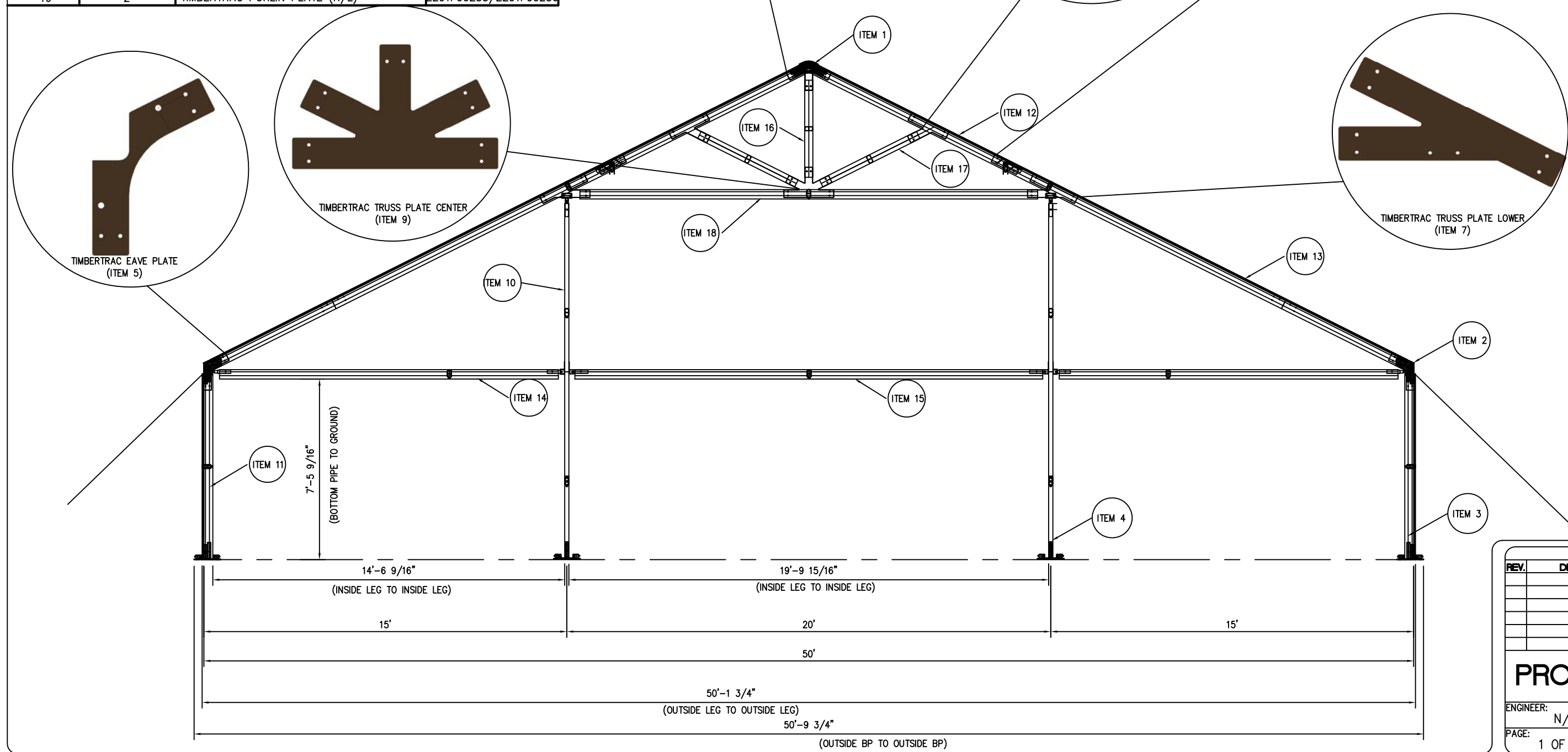


ITEM	QUANTITY	DESCRIPTION	PART #
1	1	TIMBERTRAC GABLE CROWN	Z291F00010
2	2	TIMBERTRAC GABLE CORNER (L/R)	Z291F00026/Z291F00027
3	2	TIMBERTRAC TILT-UP BASE PLATE	Z291F00045
4	2	TIMBERTRAC TILT-UP GABLE BASE PLATE	Z291F00050
5	4	TIMBERTRAC EAVE PLATE- STEEL	Z291F00212
6	2	TIMBERTRAC CROWN PLATE- STEEL	Z291F00215
7	4	TIMBERTRAC TRUSS PLATE LOWER- STEEL	Z291F00220
8	4	TIMBERTRAC TRUSS PLATE UPPER- STEEL	Z291F00225
9	2	TIMBERTRAC TRUSS PLATE CENTER- STEEL	Z291F00230
10	2	TIMBERTRAC GABLE UPRIGHT 50x	Z291JT1G0611
11	4	TIMBERTRAC (JT3) 7'-8" LEG	Z291JT30708
12	2	TIMBERTRAC (JT3) 5'-7 1/8" (50x)	Z291JT30507
13	2	TIMBERTRAC (JT3) 21'-8 1/8"	Z291JT32108
14	2	TIMBERTRAC 15' GABLE PURLIN-50x	Z291JT1PG15005
15	1	TIMBERTRAC 20' GABLE PURLIN-40x	Z291JT1PG2000
16	1	TIMBERTRAC TRUSS- J (40x) 48 3/16"	Z291JTR40048.19
17	2	TIMBERTRAC TRUSS- J (40x) 53 3/4"	Z291JTR40053.75
18	1	TIMBERTRAC TRUSS- J (40x) 227"	Z291JTR40227.00
19	2	TIMBERTRAC PURLIN PLATE (R/L)	Z291F00235/Z291F00236

50'W GABLE END TIMBERTRAC PROFILE



ALL DATA AND INFORMATION CONTAINED IN OR DISCLOSED BY THIS DOCUMENT IS PROPRIETARY INFORMATION OF AZTEC TENTS AND ALL RIGHTS THEREIN ARE EXPRESSLY RESERVED. BY ACCEPTING THIS MATERIAL THE RECIPIENT AGREES THAT THIS MATERIAL AND INFORMATION CONTAINED HEREIN IS HELD IN CONFIDENCE AND IN TRUST AND WILL NOT BE COPIED, REPRODUCED WHOLE OR IN PART, NOR ITS CONTENTS REVEALED IN ANY MANNER TO OTHERS, EXCEPT TO MEET THE SPECIFIC PURPOSE FOR WHICH IT WAS DELIVERED.

AZTEC TENTS
 DESIGN & PRODUCTION
 2665 COLUMBIA ST. TORRANCE, CA. 90503
 (800) 228-3687 - FAX (310) 381-0722

TIMBERTRAC FRAME TENT
 50'W GABLE END PROFILE
 PART NUMBER: Z29250CE1508JT

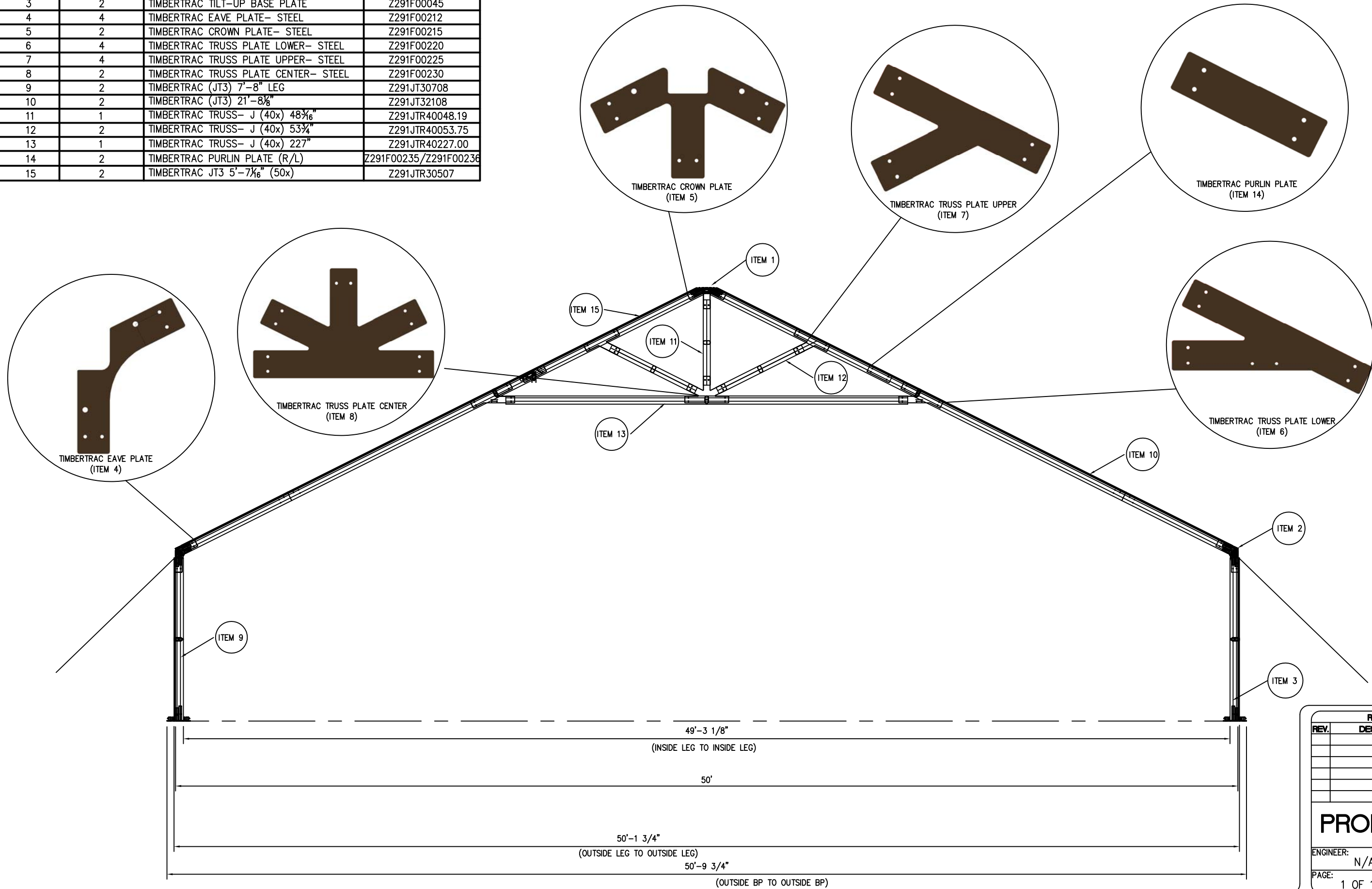
REVISION HISTORY			
REV.	DESCRIPTION	BY:	DATE:

PROPRIETARY

ENGINEER: N/A	DATE: 5/19/2020
PAGE: 1 OF 1	DRAWN: LYZ

ITEM	QUANTITY	DESCRIPTION	PART #
1	1	TIMBERTRAC CENTER CROWN	Z291F00015
2	2	TIMBERTRAC SIDE TEE	Z291F00031
3	2	TIMBERTRAC TILT-UP BASE PLATE	Z291F00045
4	4	TIMBERTRAC EAVE PLATE- STEEL	Z291F00212
5	2	TIMBERTRAC CROWN PLATE- STEEL	Z291F00215
6	4	TIMBERTRAC TRUSS PLATE LOWER- STEEL	Z291F00220
7	4	TIMBERTRAC TRUSS PLATE UPPER- STEEL	Z291F00225
8	2	TIMBERTRAC TRUSS PLATE CENTER- STEEL	Z291F00230
9	2	TIMBERTRAC (JT3) 7'-8" LEG	Z291JT30708
10	2	TIMBERTRAC (JT3) 21'-8 1/8"	Z291JT32108
11	1	TIMBERTRAC TRUSS- J (40x) 48 3/16"	Z291JTR40048.19
12	2	TIMBERTRAC TRUSS- J (40x) 53 3/4"	Z291JTR40053.75
13	1	TIMBERTRAC TRUSS- J (40x) 227"	Z291JTR40227.00
14	2	TIMBERTRAC PURLIN PLATE (R/L)	Z291F00235/Z291F00236
15	2	TIMBERTRAC JT3 5'-7 1/16" (50x)	Z291JTR30507

50'W MID TIMBERTRAC PROFILE



ALL DATA AND INFORMATION CONTAINED IN OR DISCLOSED BY THIS DOCUMENT IS PROPRIETARY INFORMATION OF AZTEC TENTS AND ALL RIGHTS THEREIN ARE EXPRESSLY RESERVED. BY ACCEPTING THIS MATERIAL, THE RECIPIENT AGREES THAT THIS MATERIAL AND INFORMATION CONTAINED THEREIN IS HELD IN CONFIDENCE AND IN TRUST AND WILL NOT BE COPIED, REPRODUCED WHOLE OR IN PART, NOR ITS CONTENTS REVEALED IN ANY MANNER TO OTHERS, EXCEPT TO MEET THE SPECIFIC PURPOSE FOR WHICH IT WAS DELIVERED.

AZTEC TENTS
 DESIGN & PRODUCTION
 2665 COLUMBIA ST. TORRANCE, CA. 90503
 (800) 228-3687 - FAX (310) 381-0722

TIMBERTRAC FRAME TENT
 50'W TIMBERTRAC MID PROFILE
 PART NUMBER: Z26250CM1508JT

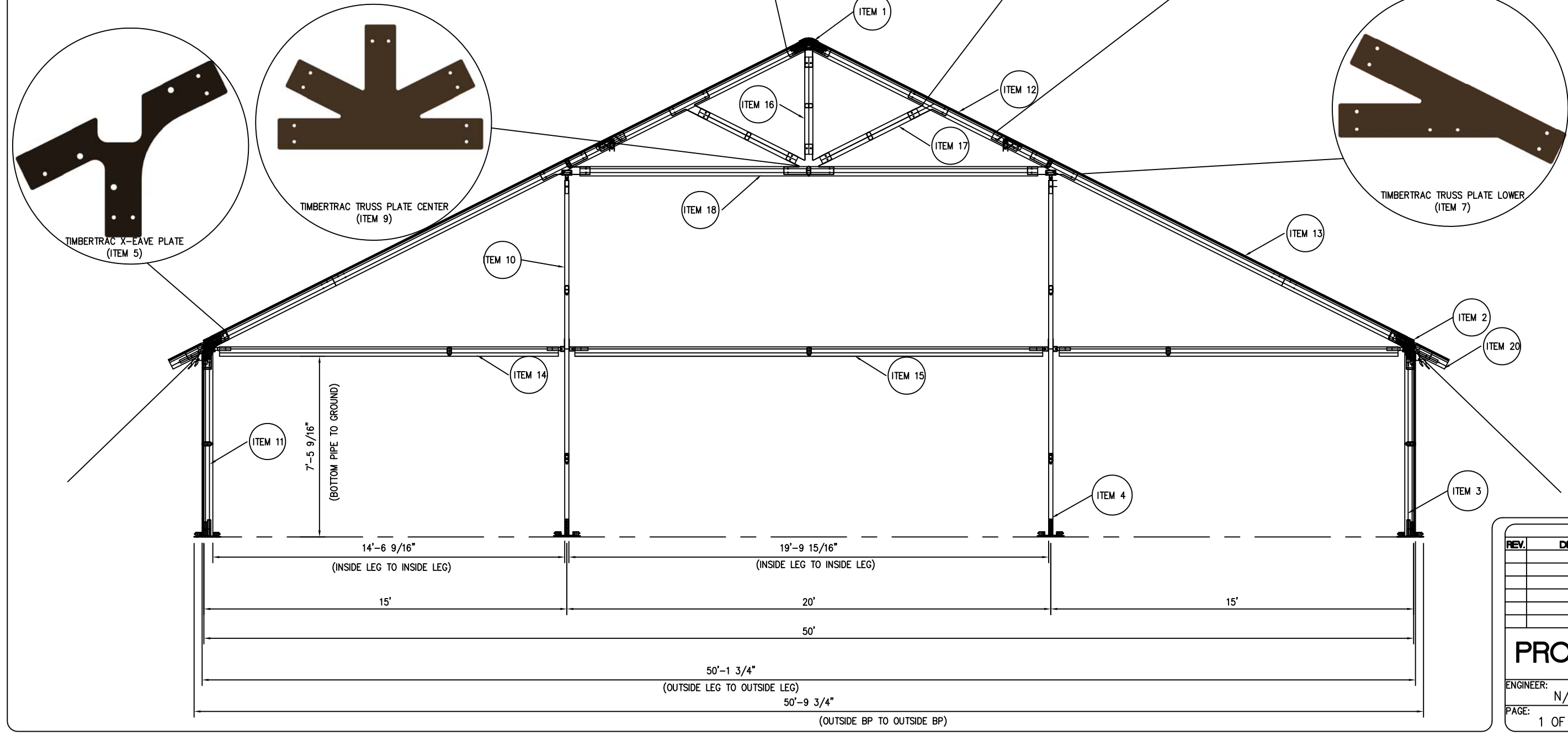
REVISION HISTORY			
REV.	DESCRIPTION	BY:	DATE:

PROPRIETARY

ENGINEER:	N/A	DATE:	5/14/2020
PAGE:	1 OF 1	DRAWN:	LYZ

ITEM	QUANTITY	DESCRIPTION	PART #
1	1	TIMBERTRAC GABLE CROWN	Z291F00010
2	2	TIMBERTRAC X-GABLE CORNER (L/R)	Z291F00020/Z291F00025
3	2	TIMBERTRAC TILT-UP BASE PLATE	Z291F00045
4	2	TIMBERTRAC TILT-UP GABLE BASE PLATE	Z291F00050
5	4	TIMBERTRAC X-EAVE PLATE- STEEL	Z291F00210
6	2	TIMBERTRAC CROWN PLATE- STEEL	Z291F00215
7	4	TIMBERTRAC TRUSS PLATE LOWER- STEEL	Z291F00220
8	4	TIMBERTRAC TRUSS PLATE UPPER- STEEL	Z291F00225
9	2	TIMBERTRAC TRUSS PLATE CENTER- STEEL	Z291F00230
10	2	TIMBERTRAC GABLE UPRIGHT 50x	Z291JT1G0611
11	4	TIMBERTRAC (JT3) 7'-8" LEG	Z291JT30708
12	2	TIMBERTRAC (JT3) 5'-7 1/8" (50x)	Z291JT30507
13	2	TIMBERTRAC (JT3) 21'-8 1/8"	Z291JT32108
14	2	TIMBERTRAC 15' GABLE PURLIN-50x	Z291JT1PG15005
15	1	TIMBERTRAC 20' GABLE PURLIN-40x	Z291JT1PG2000
16	1	TIMBERTRAC TRUSS- J (40x) 48 3/16"	Z291JTR40048.19
17	2	TIMBERTRAC TRUSS- J (40x) 53 3/4"	Z291JTR40053.75
18	1	TIMBERTRAC TRUSS- J (40x) 227"	Z291JTR40227.00
19	2	TIMBERTRAC PURLIN PLATE (R/L)	Z291F00235/Z291F00236
20	2	TIMBERTRAC RAFTER EXT. BEAM-18"	Z291F00035

50'W X-GABLE END TIMBERTRAC PROFILE



ALL DATA AND INFORMATION CONTAINED IN OR DISCLOSED BY THIS DOCUMENT IS PROPRIETARY INFORMATION OF AZTEC TENTS AND ALL RIGHTS THEREIN ARE EXPRESSLY RESERVED. BY ACCEPTING THIS MATERIAL THE RECIPIENT AGREES THAT THIS MATERIAL AND INFORMATION CONTAINED HEREIN IS HELD IN CONFIDENCE AND IN TRUST AND WILL NOT BE COPIED, REPRODUCED WHOLE OR IN PART, NOR ITS CONTENTS REVEALED IN ANY MANNER TO OTHERS, EXCEPT TO MEET THE SPECIFIC PURPOSE FOR WHICH IT WAS DELIVERED.

AZTEC TENTS
 DESIGN & PRODUCTION
 2665 COLUMBIA ST. TORRANCE, CA. 90503
 (800) 228-3687 - FAX (310) 381-0722

TIMBERTRAC FRAME TENT
 50'W X-GABLE END PROFILE
 PART NUMBER: Z26250CE1508

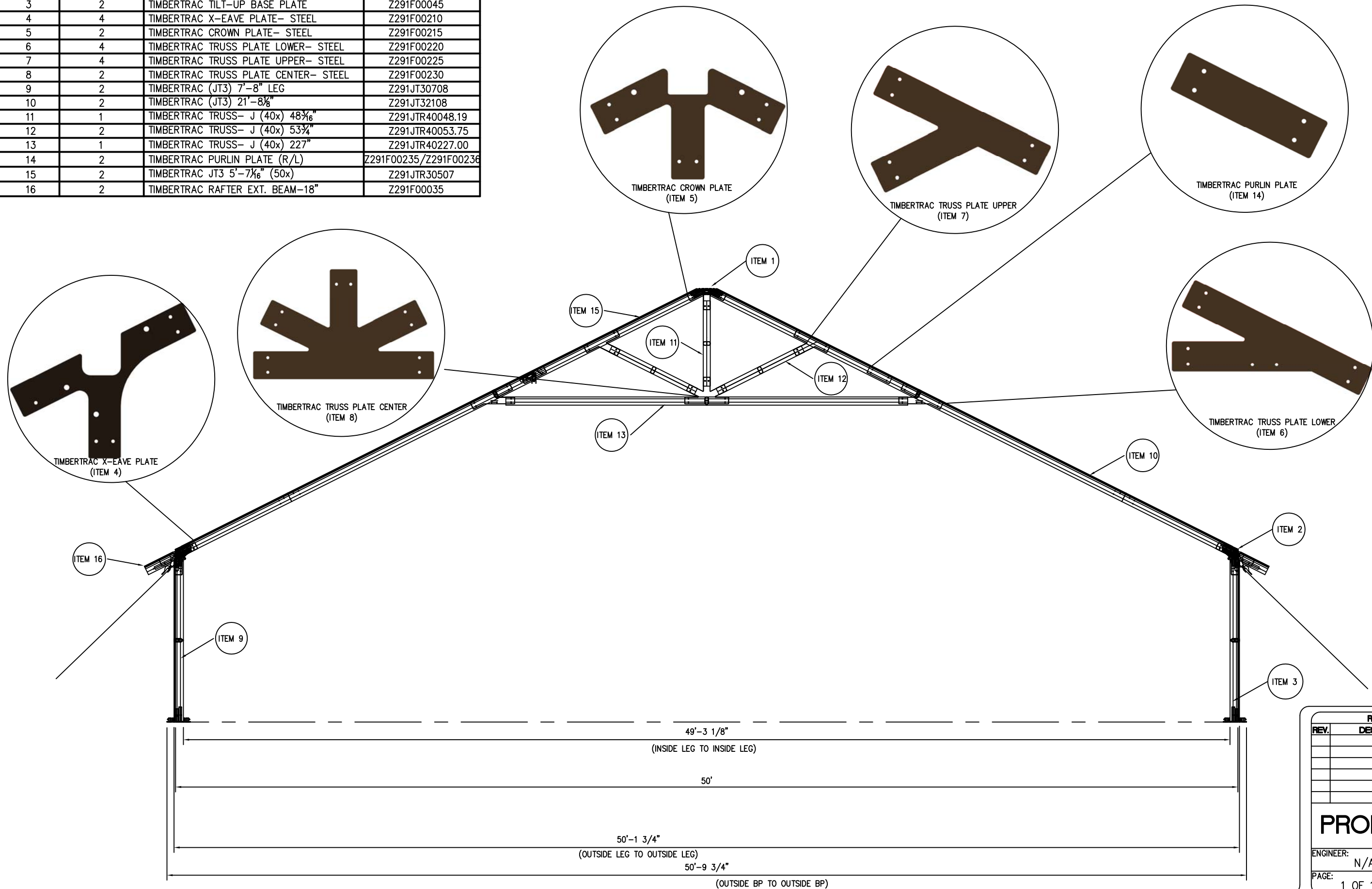
REVISION HISTORY			
REV.	DESCRIPTION	BY:	DATE:

PROPRIETARY

ENGINEER: N/A	DATE: 5/19/2020
PAGE: 1 OF 1	DRAWN: LYZ

ITEM	QUANTITY	DESCRIPTION	PART #
1	1	TIMBERTRAC CENTER CROWN	Z291F00015
2	2	TIMBERTRAC X-SIDE TEE	Z291F00030
3	2	TIMBERTRAC TILT-UP BASE PLATE	Z291F00045
4	4	TIMBERTRAC X-EAVE PLATE- STEEL	Z291F00210
5	2	TIMBERTRAC CROWN PLATE- STEEL	Z291F00215
6	4	TIMBERTRAC TRUSS PLATE LOWER- STEEL	Z291F00220
7	4	TIMBERTRAC TRUSS PLATE UPPER- STEEL	Z291F00225
8	2	TIMBERTRAC TRUSS PLATE CENTER- STEEL	Z291F00230
9	2	TIMBERTRAC (JT3) 7'-8" LEG	Z291JT30708
10	2	TIMBERTRAC (JT3) 21'-8 1/8"	Z291JT32108
11	1	TIMBERTRAC TRUSS- J (40x) 48 3/16"	Z291JTR40048.19
12	2	TIMBERTRAC TRUSS- J (40x) 53 3/4"	Z291JTR40053.75
13	1	TIMBERTRAC TRUSS- J (40x) 227"	Z291JTR40227.00
14	2	TIMBERTRAC PURLIN PLATE (R/L)	Z291F00235/Z291F00236
15	2	TIMBERTRAC JT3 5'-7 1/16" (50x)	Z291JTR30507
16	2	TIMBERTRAC RAFTER EXT. BEAM-18"	Z291F00035

50'W X-MID TIMBERTRAC PROFILE



ALL DATA AND INFORMATION CONTAINED IN OR DISCLOSED BY THIS DOCUMENT IS PROPRIETARY INFORMATION OF AZTEC TENTS AND ALL RIGHTS THEREIN ARE EXPRESSLY RESERVED. BY ACCEPTING THIS MATERIAL, THE RECIPIENT AGREES THAT THIS MATERIAL AND INFORMATION CONTAINED THEREIN IS HELD IN CONFIDENCE AND IN TRUST AND WILL NOT BE COPIED, REPRODUCED WHOLE OR IN PART, NOR ITS CONTENTS REVEALED IN ANY MANNER TO OTHERS, EXCEPT TO MEET THE SPECIFIC PURPOSE FOR WHICH IT WAS DELIVERED.

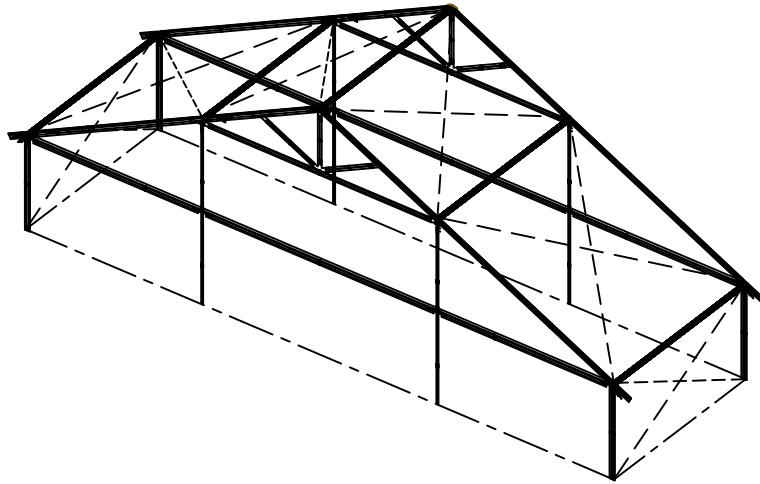
AZTEC TENTS
 DESIGN & PRODUCTION
 2665 COLUMBIA ST. TORRANCE, CA. 90503
 (800) 228-3687 - FAX (310) 381-0722

TIMBERTRAC FRAME TENT
 50'W TIMBERTRAC X-MID
 PART NUMBER: Z26250CM1508

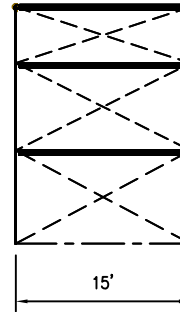
REVISION HISTORY			
REV.	DESCRIPTION	BY:	DATE:

PROPRIETARY

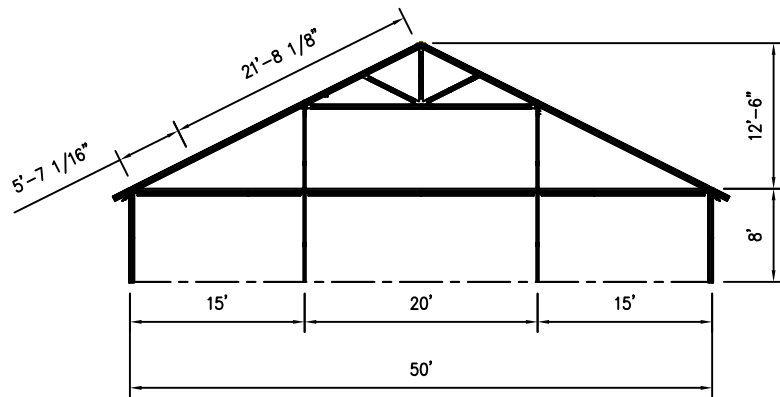
ENGINEER:	N/A	DATE:	5/19/2020
PAGE:	1 OF 1	DRAWN:	LYZ



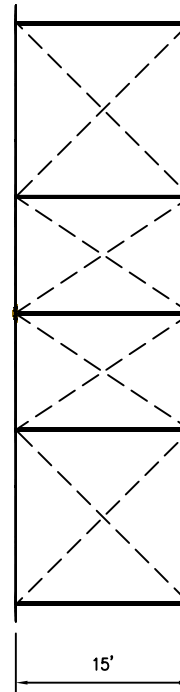
ISOMETRIC VIEW



SIDE VIEW



FRONT VIEW



PLAN VIEW

ALL DATA AND INFORMATION CONTAINED IN OR DISCLOSED BY THIS DOCUMENT IS CONFIDENTIAL AND PROPRIETARY INFORMATION OF AZTEC TENTS AND ALL RIGHTS THEREIN ARE EXPRESSLY RESERVED. BY ACCEPTING THIS MATERIAL THE RECIPIENT AGREES THAT THIS MATERIAL AND INFORMATION CONTAINED THEREIN IS HELD IN CONFIDENCE AND IN TRUST AND WILL NOT BE COPIED, REPRODUCED WHOLE OR IN PART, NOR ITS CONTENTS REVEALED IN ANY MANNER TO OTHERS, EXCEPT TO MEET THE SPECIFIC PURPOSE FOR WHICH IT WAS DELIVERED.

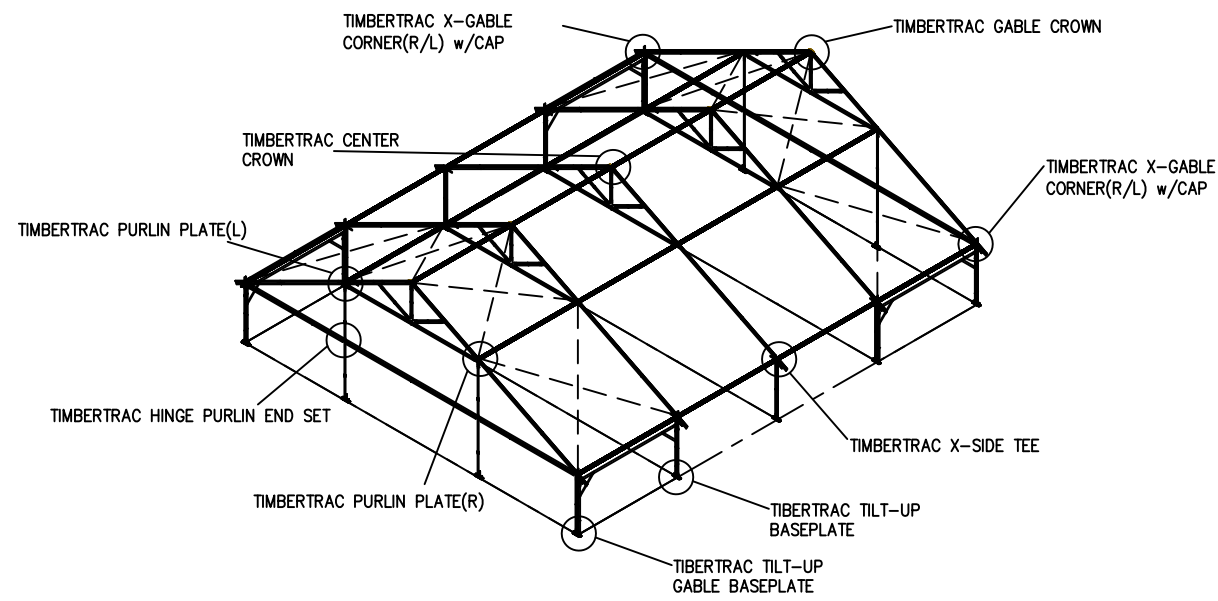
AZTEC TENTS
 DESIGN & PRODUCTION
 2665 COLUMBIA ST. TORRANCE, CA. 90503
 (800) 228-3687 - FAX (310) 381-0722

TIMBERTRAC FRAME TENT
 50'W x 15'L
 PART NUMBER:

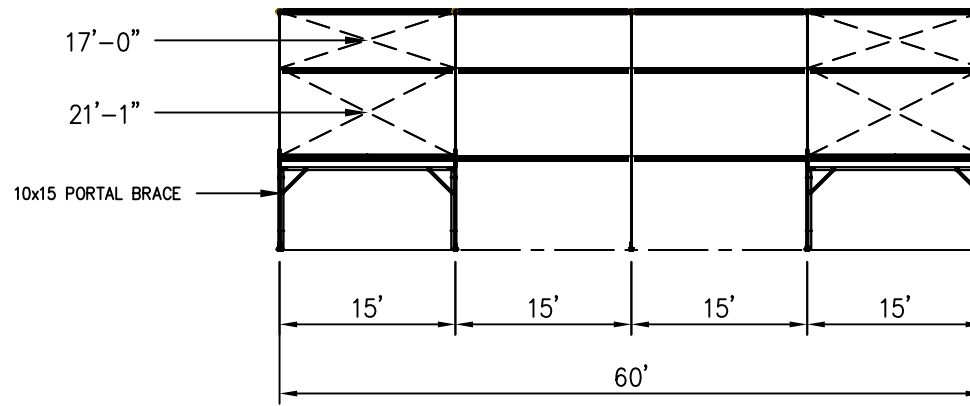
REVISION HISTORY			
REV.	DESCRIPTION	BY:	DATE:

SALES

ENGINEER:	N/A	DATE:	12/18/2018
PAGE:	1 OF 1	DRAWN:	ELVIS

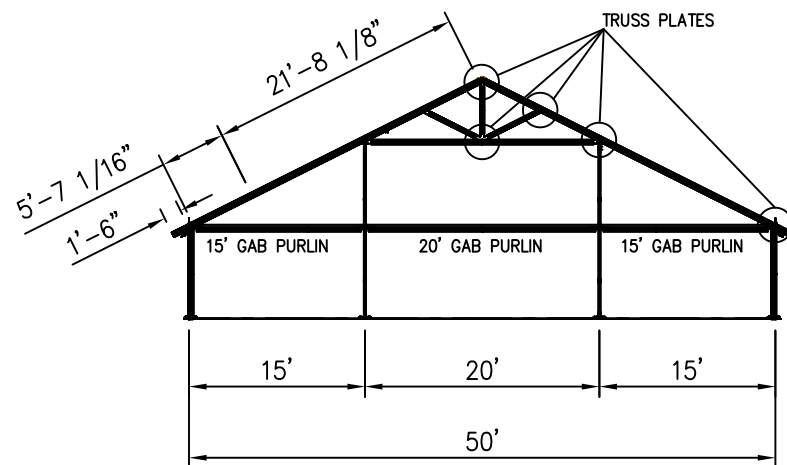


ISOMETRIC VIEW

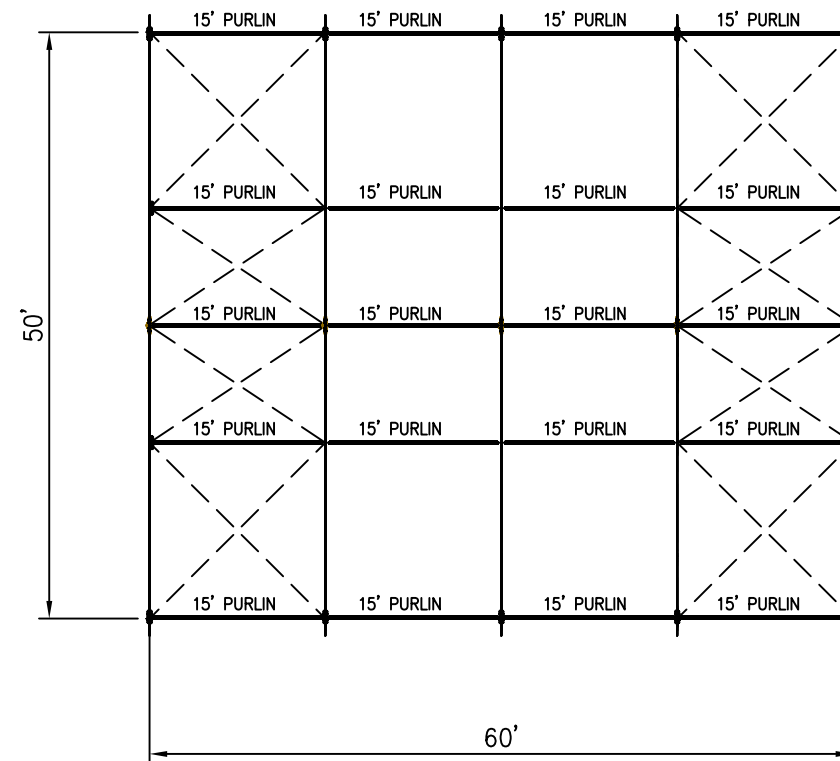


SIDE VIEW

50'W X 60'L X15' BAYS TIMBERTRAC WITH PORTAL BRACE



FRONT VIEW



PLAN VIEW

ALL DATA AND INFORMATION CONTAINED IN OR DISCLOSED BY THIS DOCUMENT IS CONFIDENTIAL AND PROPRIETARY INFORMATION OF AZTEC TENTS AND ALL RIGHTS THEREIN ARE EXPRESSLY RESERVED. BY ACCEPTING THIS MATERIAL THE RECIPIENT AGREES THAT THIS MATERIAL AND INFORMATION CONTAINED THEREIN IS HELD IN CONFIDENCE AND IN TRUST AND WILL NOT BE COPIED, REPRODUCED WHOLE OR IN PART, NOR ITS CONTENTS REVEALED IN ANY MANNER TO OTHERS, EXCEPT TO MEET THE SPECIFIC PURPOSE FOR WHICH IT WAS DELIVERED.

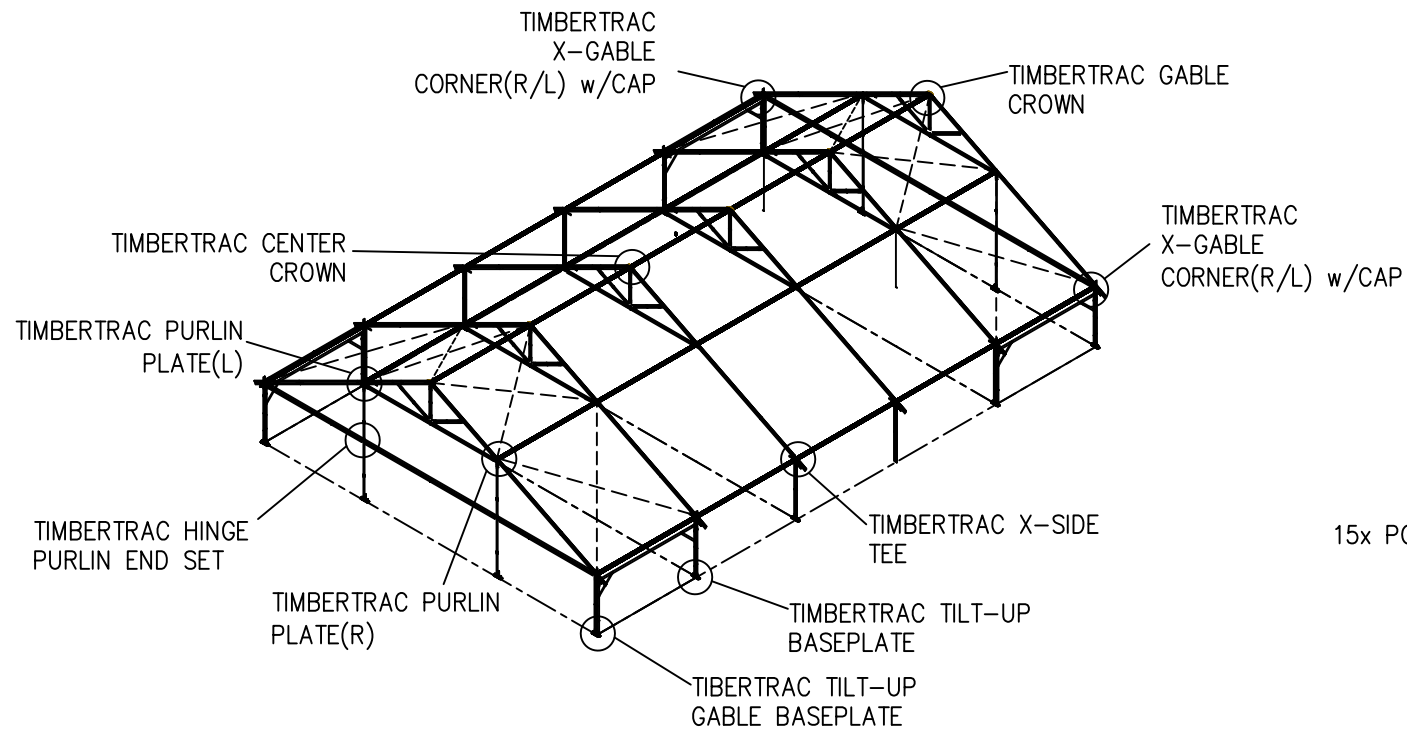
AZTEC TENTS
 DESIGN & PRODUCTION
 2665 COLUMBIA ST. TORRANCE, CA. 90503
 (800) 228-3687 - FAX (310) 381-0722

TIMBERTRAC FRAME TENT
 TIMBERTRAC FRAME/SQUARING
 50'W X 60'L X 15'BAYS
 PART NUMBER: ZXXXXXXX

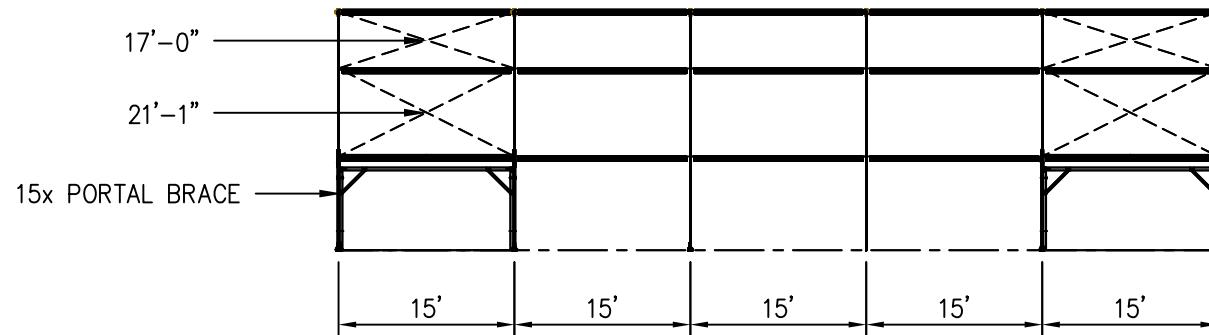
REVISION HISTORY			
REV.	DESCRIPTION	BY:	DATE:

CONFIDENTIAL

ENGINEER: N/A	DATE: 1/23/2019
PAGE: 1 OF 1	DRAWN: LYZ

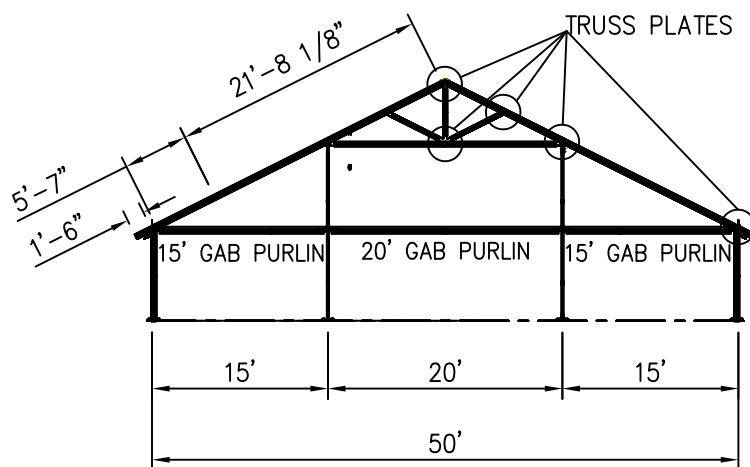


ISOMETRIC VIEW

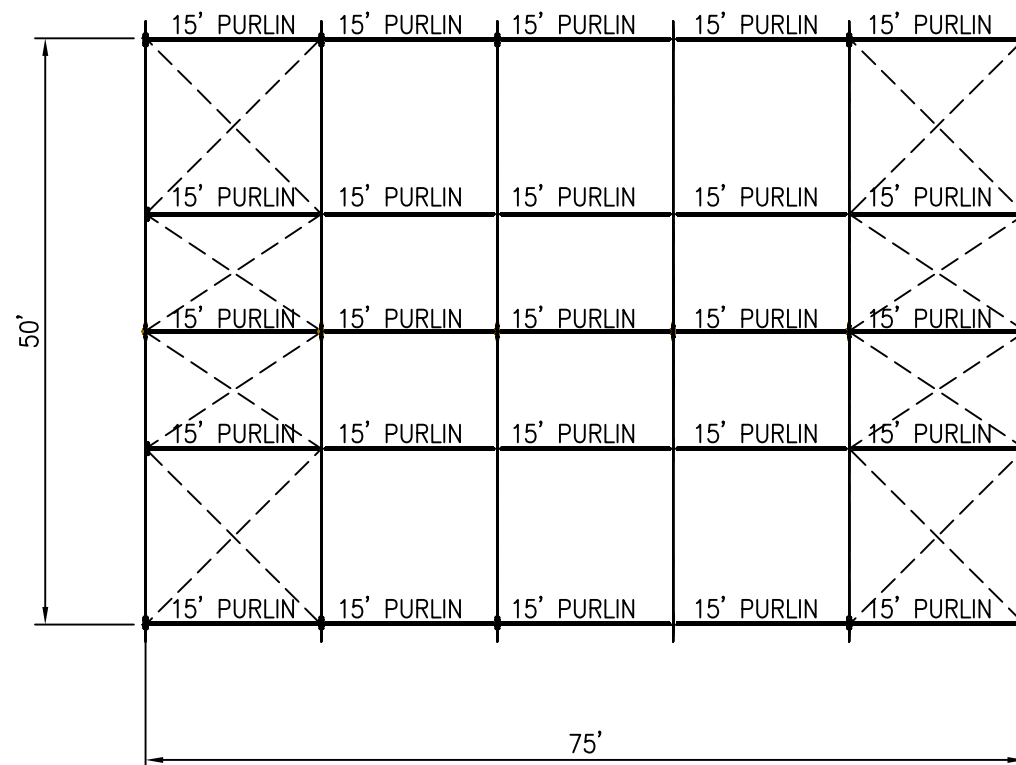


SIDE VIEW

50'W X 75'L X 15'BAYS TIMBERTRAC FRAME TENT w/PORTAL BRACES



FRONT VIEW



PLAN VIEW

ALL DATA AND INFORMATION CONTAINED IN OR DISCLOSED BY THIS DOCUMENT IS CONFIDENTIAL AND PROPRIETARY INFORMATION OF AZTEC TENTS AND ALL RIGHTS THEREIN ARE EXPRESSLY RESERVED. BY ACCEPTING THIS MATERIAL THE RECIPIENT AGREES THAT THIS MATERIAL AND INFORMATION CONTAINED THEREIN IS HELD IN CONFIDENCE AND IN TRUST AND WILL NOT BE COPIED, REPRODUCED WHOLE OR IN PART, NOR ITS CONTENTS REVEALED IN ANY MANNER TO OTHERS, EXCEPT TO MEET THE SPECIFIC PURPOSE FOR WHICH IT WAS DELIVERED.

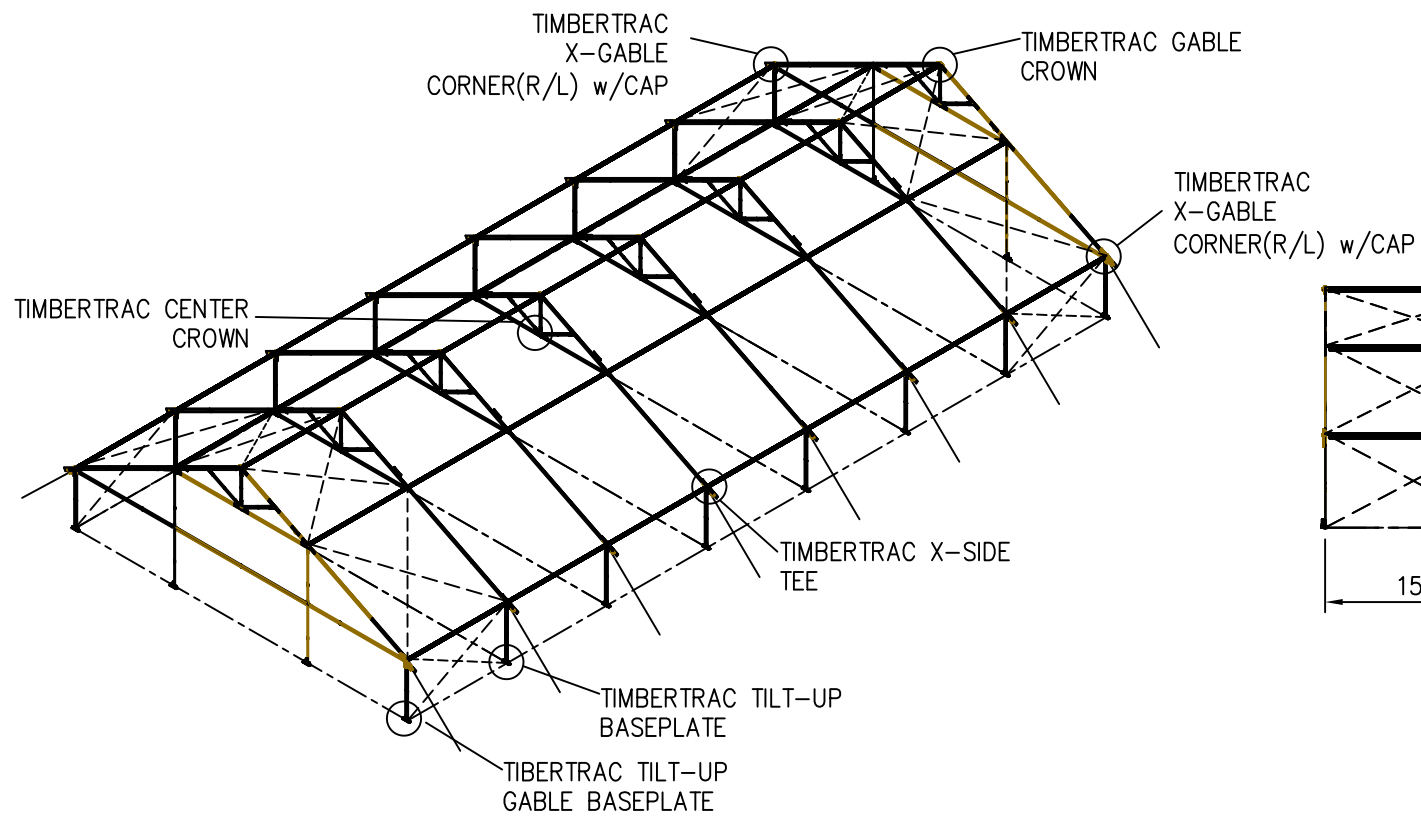
AZTEC TENTS
 DESIGN & PRODUCTION
 2665 COLUMBIA ST. TORRANCE, CA. 90503
 (800) 228-3687 - FAX (310) 381-0722

TIMBERTRAC FRAME TENT
 TIMBERTRAC FRAME w/ PORTAL BRACES
 50'W X 75'L X 15'BAYS
 PART NUMBER:

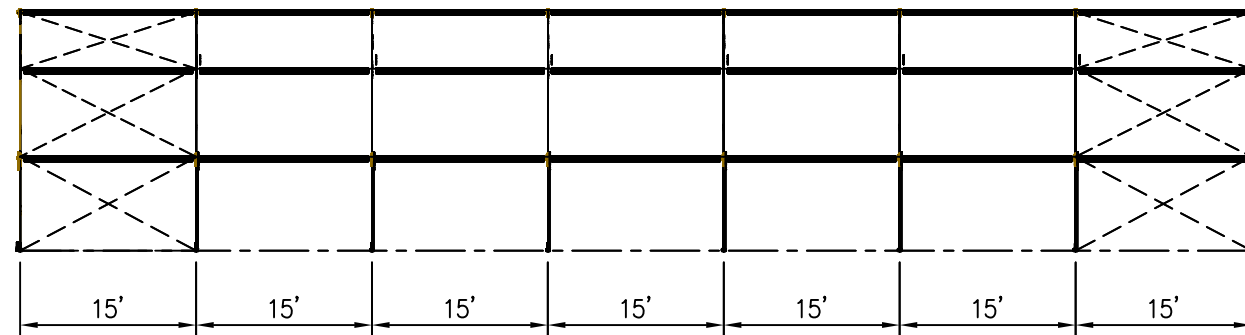
REVISION HISTORY			
REV.	DESCRIPTION	BY	DATE

PROPRIETARY

ENGINEER:	N/A	DATE:	4/17/2020
PAGE:	1 OF 1	DRAWN:	ELVIS

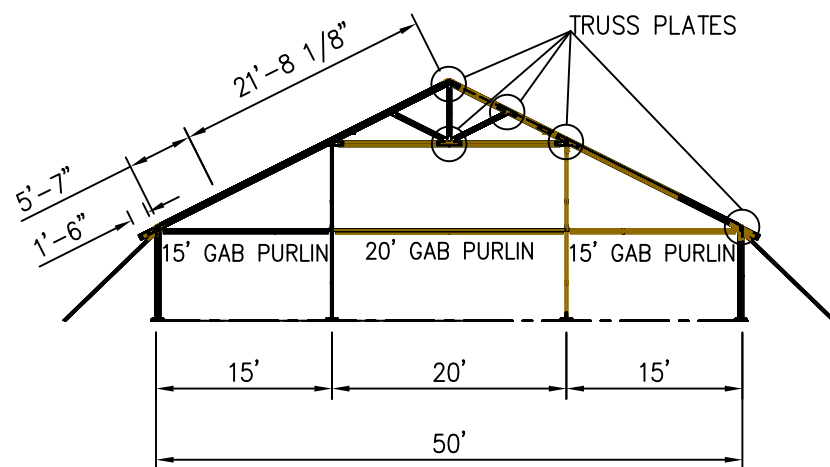


ISOMETRIC VIEW

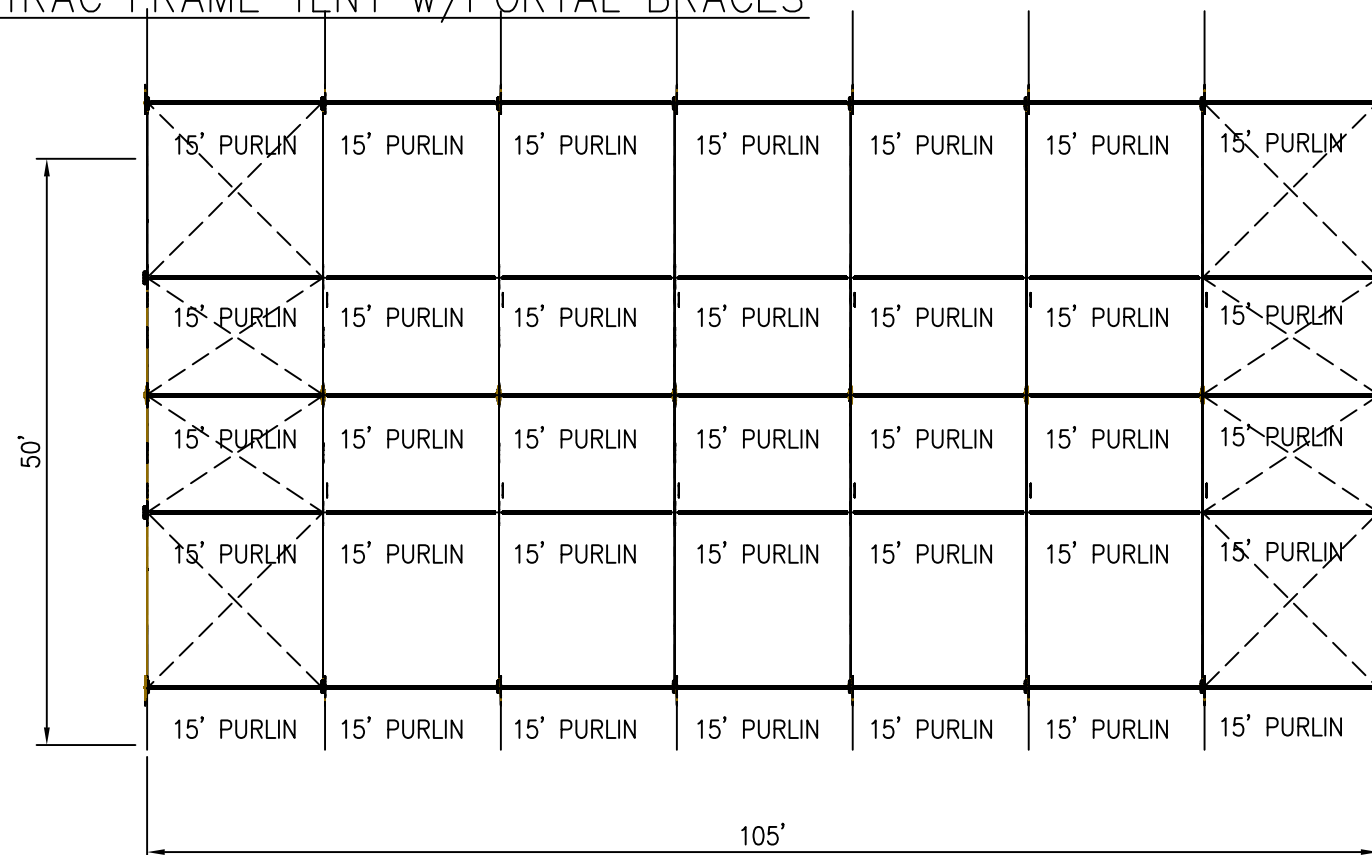


SIDE VIEW

50'W X 105'L X 15'BAYS TIMBERTRAC FRAME TENT w/PORTAL BRACES



FRONT VIEW



PLAN VIEW



TIMBERTRAC FRAME TENT
 TIMBERTRAC FRAME w/ PORTAL BRACES
 50'W X 105'L X 15'BAYS
 PART NUMBER:

REVISION HISTORY			
REV.	DESCRIPTION	BY	DATE

PROPRIETARY

ENGINEER: N/A DATE: 2/10/2020
 PAGE: 1 OF 1 DRAWN: LYZ

ALL DATA AND INFORMATION CONTAINED IN OR DISCLOSED BY THIS DOCUMENT IS CONFIDENTIAL AND PROPRIETARY INFORMATION OF AZTEC TENTS AND ALL RIGHTS THEREIN ARE EXPRESSLY RESERVED. BY ACCEPTING THIS MATERIAL THE RECIPIENT AGREES THAT THIS MATERIAL AND INFORMATION CONTAINED THEREIN IS HELD IN CONFIDENCE AND IN TRUST AND WILL NOT BE COPIED, REPRODUCED WHOLE OR IN PART, NOR ITS CONTENTS REVEALED IN ANY MANNER TO OTHERS, EXCEPT TO MEET THE SPECIFIC PURPOSE FOR WHICH IT WAS DELIVERED.