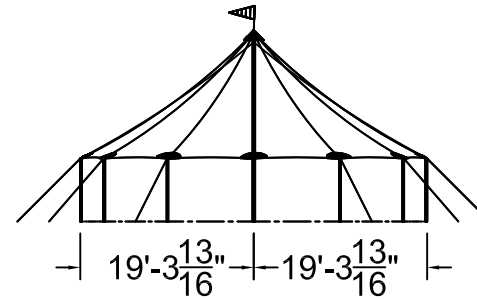


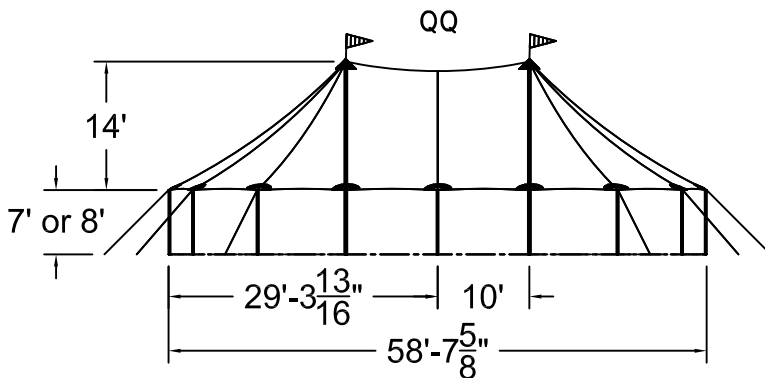
ISOMETRIC VIEW

1892 SQ. FT

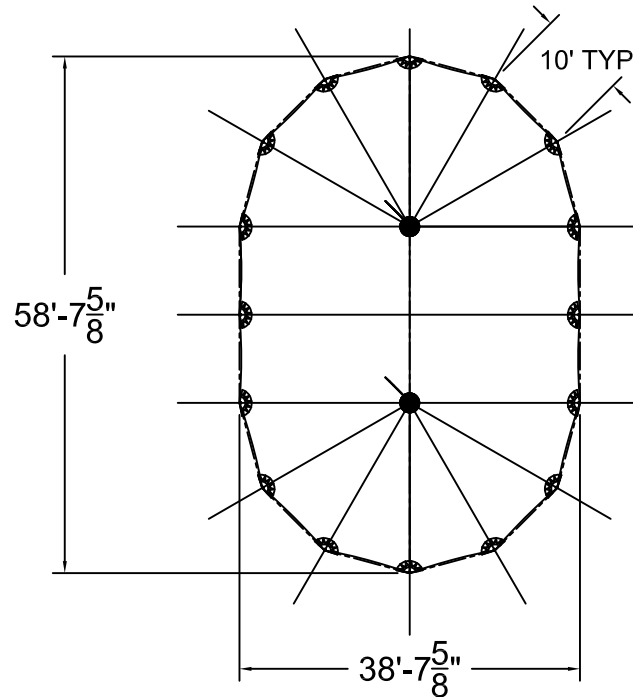


SIDE VIEW

59'W x 39'L TIDEWATER SAIL CLOTH POLE TENT



59'W TW FRONT END



TOP VIEW

ALL DATA AND INFORMATION CONTAINED IN OR DISCLOSED BY THIS DOCUMENT IS CONFIDENTIAL AND PROPRIETARY INFORMATION OF AZTEC TENTS AND ALL RIGHTS THEREIN ARE EXPRESSLY RESERVED. BY ACCEPTING THIS MATERIAL THE RECIENT AGREES THAT THIS MATERIAL AND INFORMATION CONTAINED HEREIN IS HELD IN CONFIDENCE AND IN TRUST AND WILL NOT BE COPIED, REPRODUCED, WHOLE OR IN PART, NOR ITS CONTENTS REVEALED IN ANY MANNER TO OTHERS, EXCEPT TO MEET THE SPECIFIC PURPOSE FOR WHICH IT WAS DELIVERED.

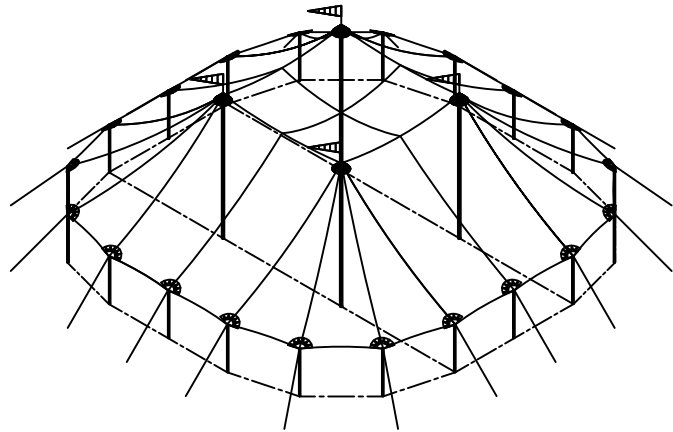
AZTEC TENTS
 DESIGN & PRODUCTION
 2685 COLUMBIA ST. TORRANCE, CA. 90503
 (800) 228-3687 - FAX (310) 381-0722

TIDEWATER POLE TENT
 59'W x 39'L
TIDEWATER SAIL CLOTH POLE TENT
 PART NUMBER: ZXXXXXX

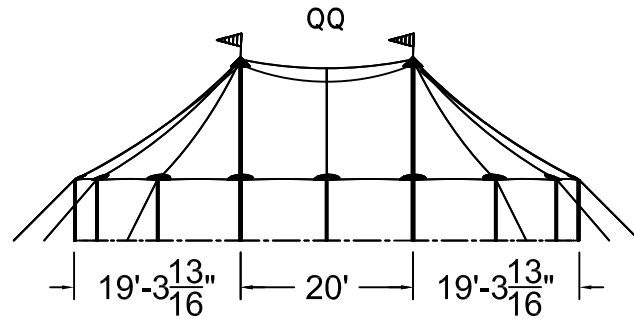
REVISION HISTORY			
REV.	DESCRIPTION	BY:	DATE:

PROPRIETARY

ENGINEER: N/A	DATE: 01/29/2024
PAGE: 1 OF 1	DRAWN: M.CARDENAS

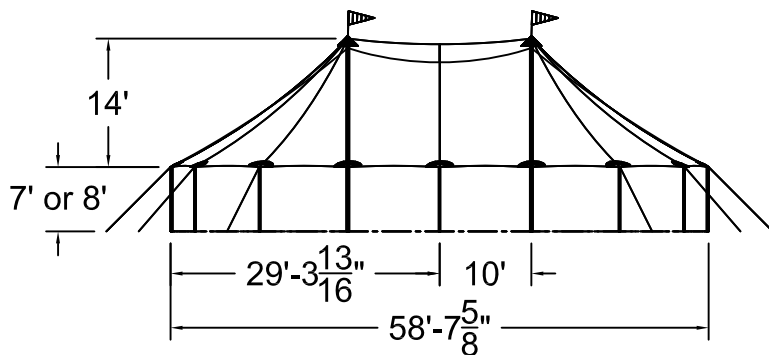


ISOMETRIC VIEW
3065 SQ. FT

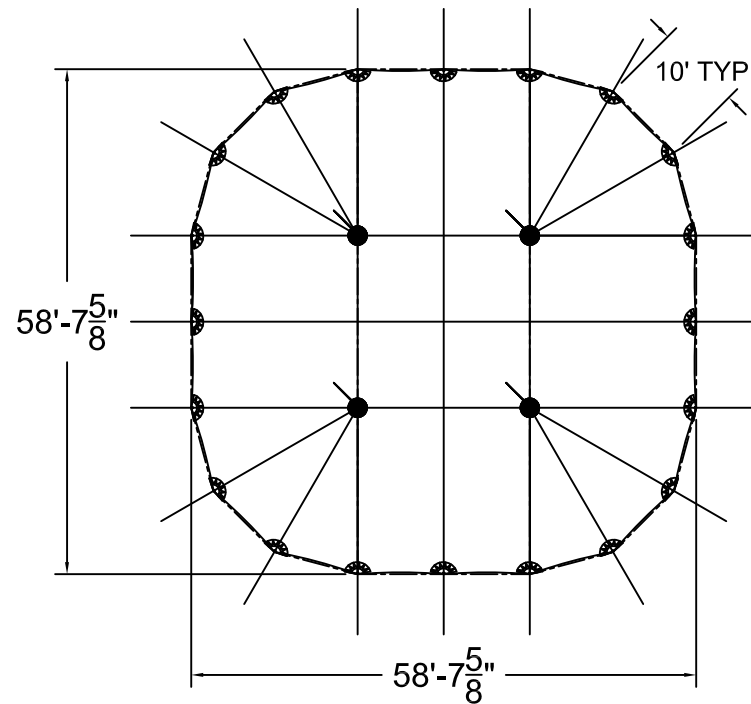


SIDE VIEW

59'W x 59'L TIDEWATER SAIL CLOTH POLE TENT



59'W TW FRONT END



TOP VIEW

ALL DATA AND INFORMATION CONTAINED IN OR DISCLOSED BY THIS DOCUMENT IS CONFIDENTIAL AND PROPRIETARY INFORMATION OF AZTEC TENTS AND ALL RIGHTS THEREIN ARE EXPRESSLY RESERVED. BY ACCEPTING THIS MATERIAL THE RECIENT AGREES THAT THIS MATERIAL AND INFORMATION CONTAINED HEREIN IS HELD IN CONFIDENCE AND IN TRUST, AND WILL NOT BE COPIED, REPRODUCED, WHOLE OR IN PART, OR ITS CONTENTS REVEALED IN ANY MANNER TO OTHERS, EXCEPT TO MEET THE SPECIFIC PURPOSE FOR WHICH IT WAS DELIVERED.

AZTEC TENTS
DESIGN & PRODUCTION
2685 COLUMBIA ST. TORRANCE, CA. 90503
(800) 228-3687 - FAX (310) 381-0722

TIDEWATER POLE TENT
59'W x 59'L - 20' BAYS
TIDEWATER SAIL CLOTH POLE TENT
PART NUMBER: ZXXXXXX

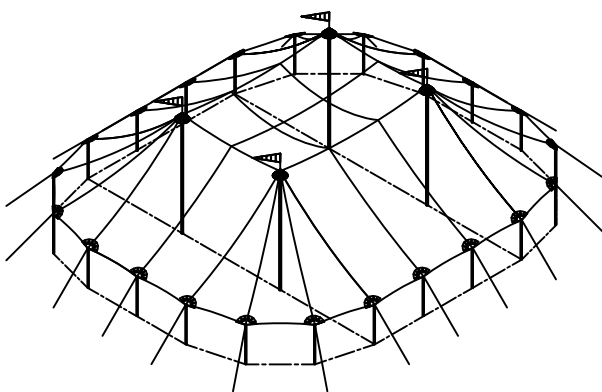
REVISION HISTORY			
REV.	DESCRIPTION	BY:	DATE:
PROPRIETARY			
ENGINEER:	N/A	DATE:	01/29/2024
PAGE:	1 OF 1	DRAWN:	M.CARDENAS

ALL DATA AND INFORMATION CONTAINED IN OR DISCLOSED BY THIS DOCUMENT IS CONFIDENTIAL AND PROPRIETARY INFORMATION OF AZTEC TENTS AND ALL RIGHTS THEREIN ARE EXPRESSLY RESERVED. BY ACCEPTING THIS MATERIAL THE RECIENT AGREES THAT THIS MATERIAL AND INFORMATION CONTAINED HEREIN IS HELD IN CONFIDENCE AND IN TRUST AND WILL NOT BE COPIED, REPRODUCED, WHOLE OR IN PART, OR ITS CONTENTS REVEALED IN ANY MANNER TO OTHERS, EXCEPT TO MEET THE SPECIFIC PURPOSE FOR WHICH IT WAS DELIVERED.

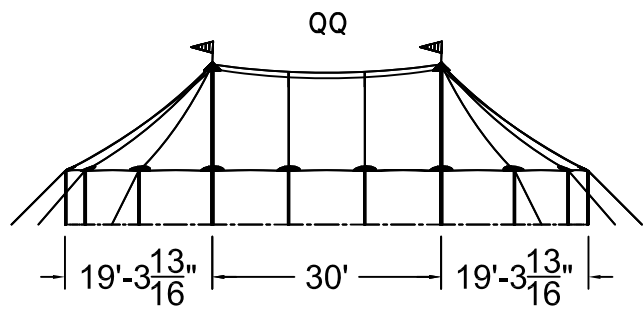
AZTEC TENTS
 DESIGN & PRODUCTION
 2685 COLUMBIA ST. TORRANCE, CA. 90503
 (800) 228-3687 - FAX (310) 381-0722

TIDEWATER POLE TENT
 59'W x 58'L - 30' BAY
TIDEWATER SAIL CLOTH POLE TENT
 PART NUMBER: ZXXXXXX

REVISION HISTORY			
REV.	DESCRIPTION	BY:	DATE:
PROPRIETARY			
ENGINEER:	N/A	DATE:	01/29/2024
PAGE:	1 OF 1	DRAWN:	M. CARDENAS

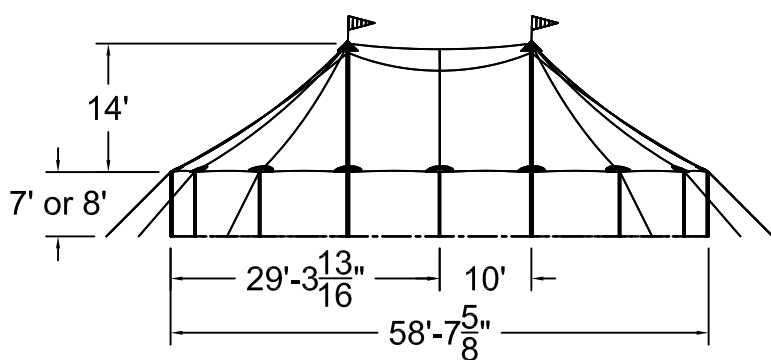


ISOMETRIC VIEW
 3651 SQ. FT

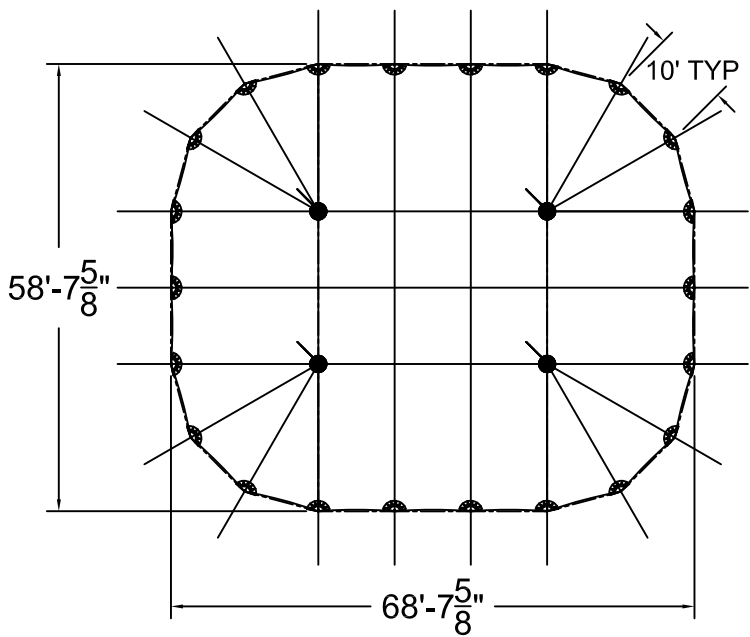


SIDE VIEW

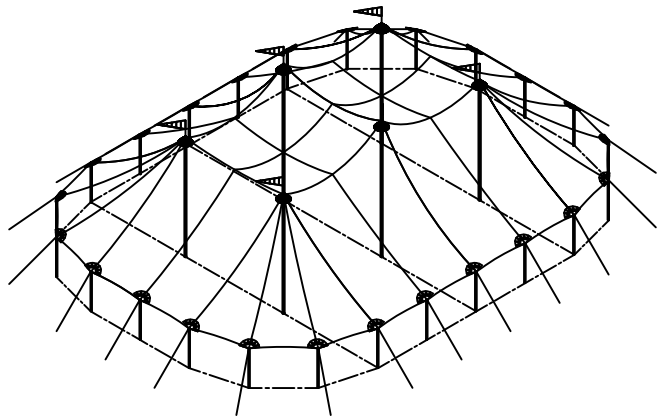
59'W x 69'L TIDEWATER SAIL CLOTH POLE TENT



59'W TW FRONT END

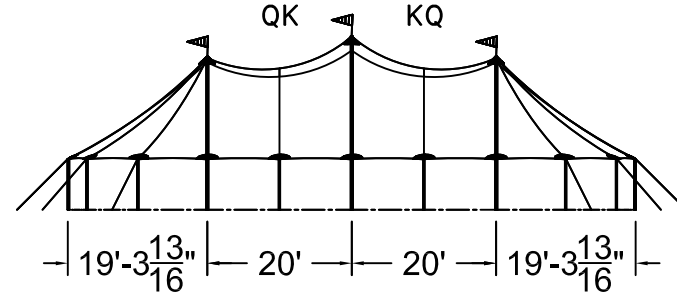


TOP VIEW



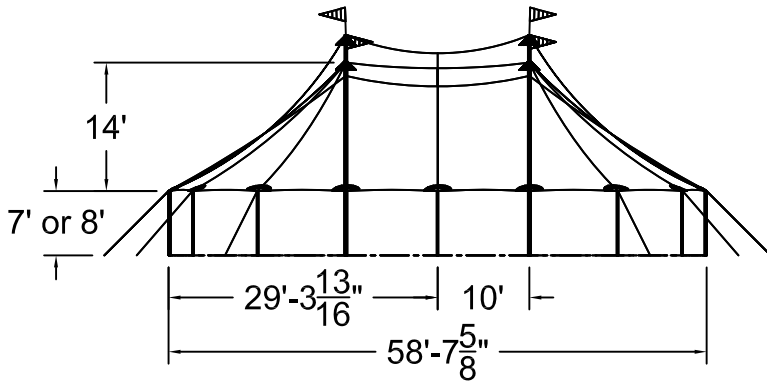
ISOMETRIC VIEW

4238 SQ. FT

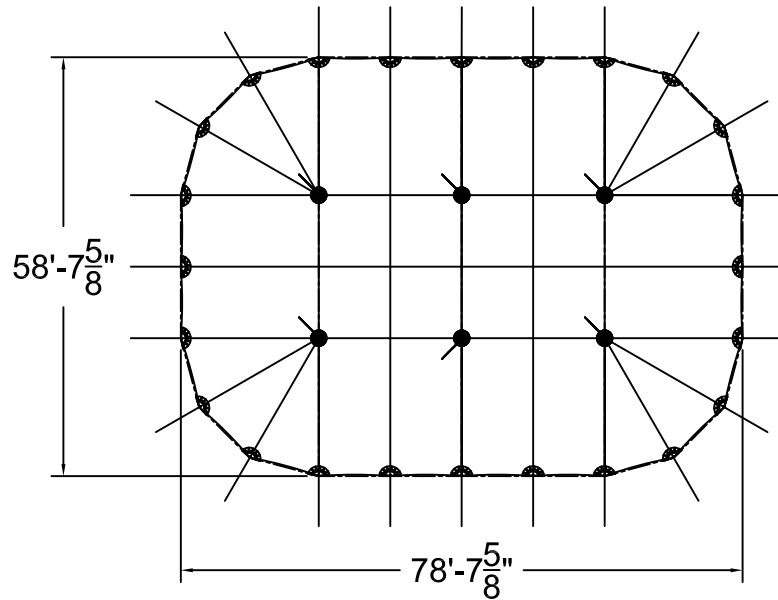


SIDE VIEW

59'W x 79'L TIDEWATER SAIL CLOTH POLE TENT



59'W TW FRONT END



TOP VIEW

ALL DATA AND INFORMATION CONTAINED IN OR DISCLOSED BY THIS DOCUMENT IS CONFIDENTIAL AND PROPRIETARY INFORMATION OF AZTEC TENTS AND ALL RIGHTS THEREIN ARE EXPRESSLY RESERVED. BY ACCEPTING THIS MATERIAL THE RECIENT AGREES THAT THIS MATERIAL AND INFORMATION CONTAINED THEREIN IS HELD IN CONFIDENCE AND IN TRUST AND WILL NOT BE COPIED, REPRODUCED, WHOLE OR IN PART, NOR ITS CONTENTS REVEALED IN ANY MANNER TO OTHERS, EXCEPT TO MEET THE SPECIFIC PURPOSE FOR WHICH IT WAS DELIVERED.

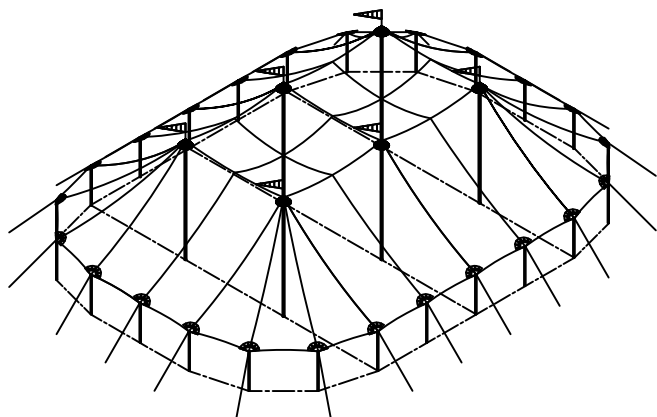
AZTEC TENTS
 DESIGN & PRODUCTION
 2685 COLUMBIA ST. TORRANCE, CA. 90503
 (800) 228-3687 - FAX (310) 381-0722

TIDEWATER POLE TENT
 59'W x 79'L - 20' BAYS
 TIDEWATER SAIL CLOTH POLE TENT
 PART NUMBER: ZXXXXXX

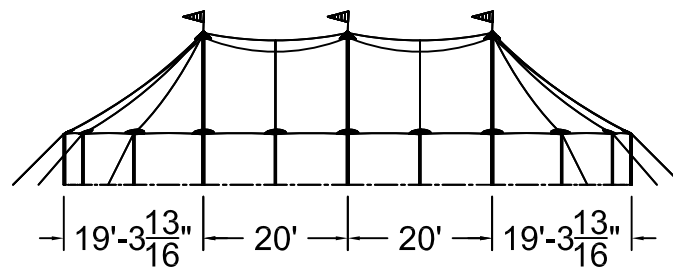
REVISION HISTORY			
REV.	DESCRIPTION	BY:	DATE:

PROPRIETARY

ENGINEER: N/A	DATE: 01/29/2024
PAGE: 1 OF 1	DRAWN: M.CARDENAS

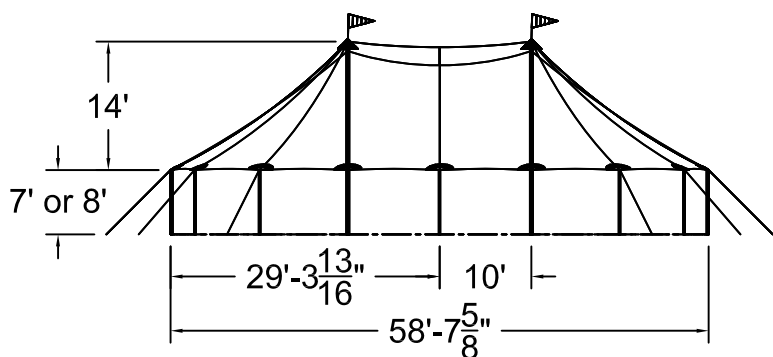


ISOMETRIC VIEW
4238 SQ. FT

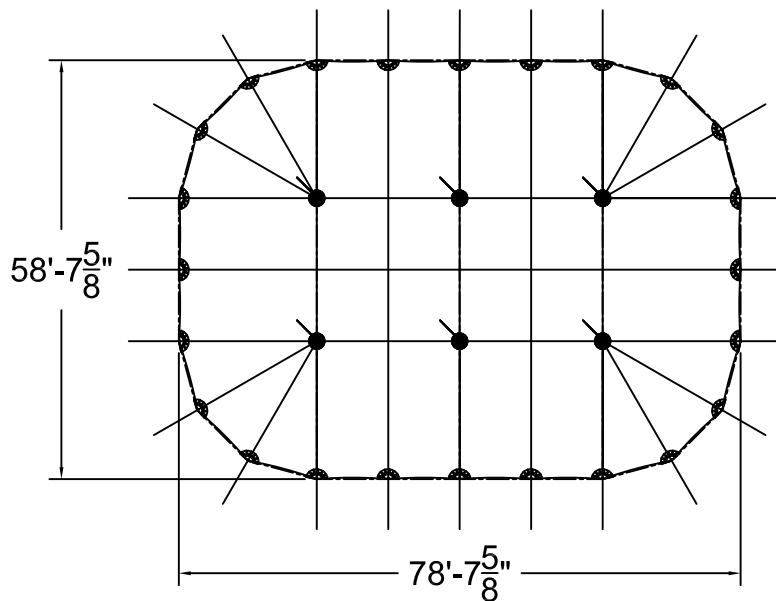


SIDE VIEW

59'W x 79'L TIDEWATER SAIL CLOTH POLE TENT



59'W TW FRONT END



TOP VIEW

ALL DATA AND INFORMATION CONTAINED IN OR DISCLOSED BY THIS DOCUMENT IS CONFIDENTIAL AND PROPRIETARY INFORMATION OF AZTEC TENTS AND ALL RIGHTS THEREIN ARE EXPRESSLY RESERVED. BY ACCEPTING THIS MATERIAL THE RECIPIENT AGREES THAT THIS MATERIAL AND INFORMATION CONTAINED THEREIN IS HELD IN CONFIDENCE AND IN TRUST AND WILL NOT BE COPIED, REPRODUCED, WHOLE OR IN PART, NOR ITS CONTENTS REVEALED IN ANY MANNER TO OTHERS, EXCEPT TO MEET THE SPECIFIC PURPOSE FOR WHICH IT WAS DELIVERED.

AZTEC TENTS
DESIGN & PRODUCTION
2685 COLUMBIA ST. TORRANCE, CA. 90503
(800) 228-3687 - FAX (310) 381-0722

TIDEWATER POLE TENT
59'W x 78'L - 20' BAYS
TIDEWATER SAIL CLOTH POLE TENT
PART NUMBER: ZXXXXXX

REVISION HISTORY			
REV.	DESCRIPTION	BY:	DATE:

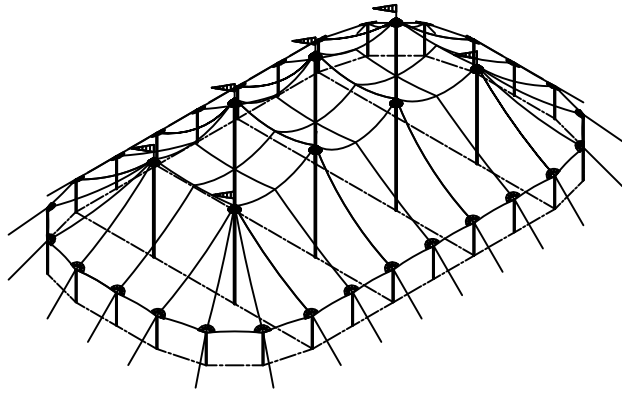
PROPRIETARY

ENGINEER: N/A DATE: 01/29/2024
PAGE: 1 OF 1 DRAWN: M.CARDENAS

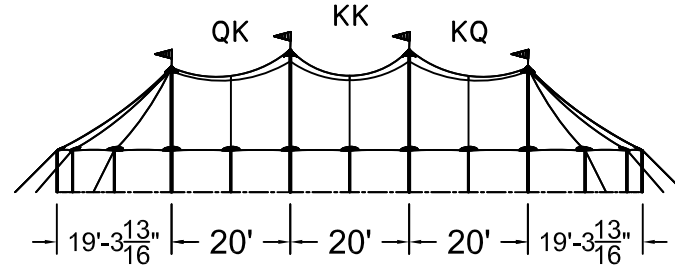
ALL DATA AND INFORMATION CONTAINED IN OR DISCLOSED BY THIS DOCUMENT IS CONFIDENTIAL AND PROPRIETARY INFORMATION OF AZTEC TENTS AND ALL RIGHTS THEREIN ARE EXPRESSLY RESERVED. BY ACCEPTING THIS MATERIAL THE RECIENT AGREES THAT THIS MATERIAL AND INFORMATION CONTAINED HEREIN IS HELD IN CONFIDENCE AND IN TRUST AND WILL NOT BE COPIED, REPRODUCED, WHOLE OR IN PART, NOR ITS CONTENTS REVEALED IN ANY MANNER TO OTHERS, EXCEPT TO MEET THE SPECIFIC PURPOSE FOR WHICH IT WAS DELIVERED.

AZTEC TENTS
 DESIGN & PRODUCTION
 2685 COLUMBIA ST. TORRANCE, CA. 90503
 (800) 228-3687 - FAX (310) 381-0722

TIDEWATER POLE TENT
 59'W x 99'L - 20' BAYS
TIDEWATER SAIL CLOTH POLE TENT
 PART NUMBER: ZXXXXXX

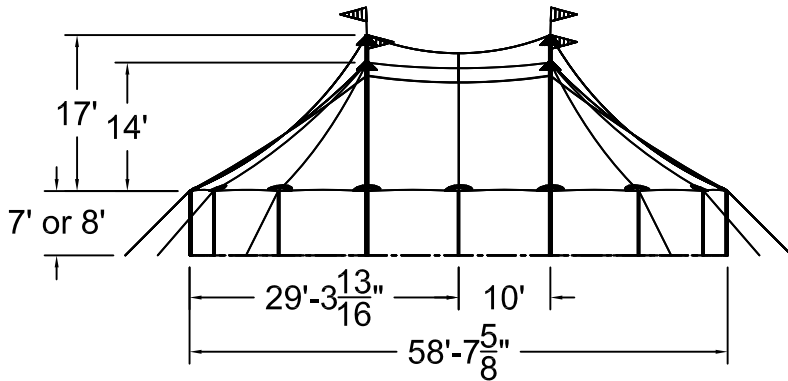


ISOMETRIC VIEW
 5410 SQ. FT

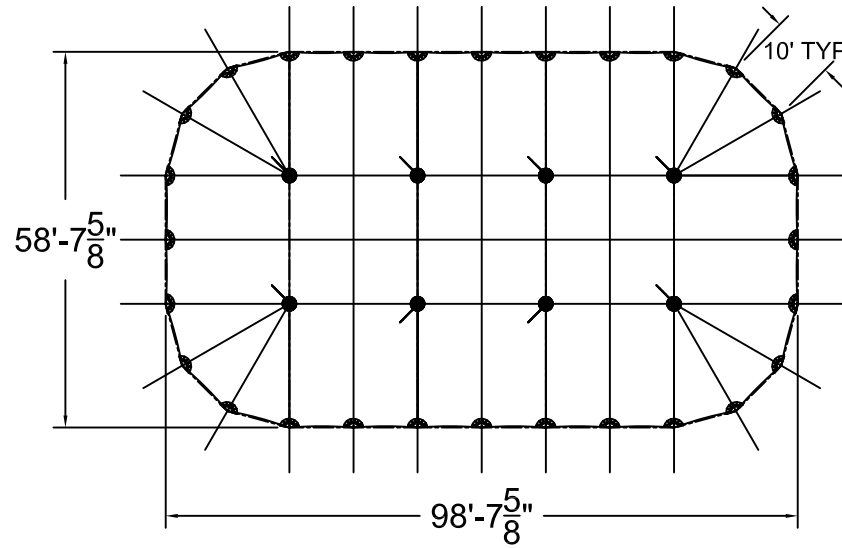


SIDE VIEW

59'W x 99'L TIDEWATER SAIL CLOTH POLE TENT



59'W TW FRONT END



TOP VIEW

REVISION HISTORY			
REV.	DESCRIPTION	BY:	DATE:

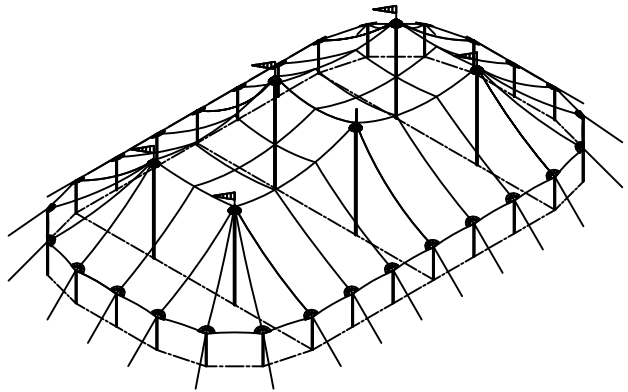
PROPRIETARY

ENGINEER: N/A DATE: 01/29/2024
 PAGE: 1 OF 1 DRAWN: M.CARDENAS

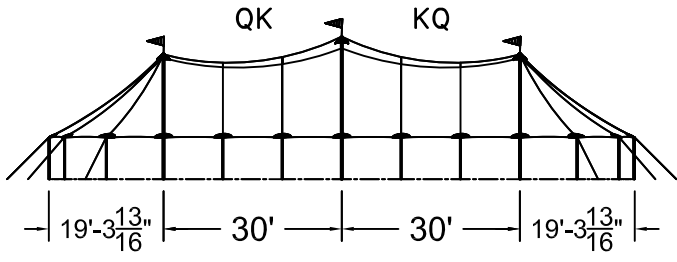
ALL DATA AND INFORMATION CONTAINED IN OR DISCLOSED BY THIS DOCUMENT IS CONFIDENTIAL AND PROPRIETARY INFORMATION OF AZTEC TENTS AND ALL RIGHTS THEREIN ARE EXPRESSLY RESERVED. BY ACCEPTING THIS MATERIAL THE RECIENT AGREES THAT THIS MATERIAL AND INFORMATION CONTAINED HEREIN IS HELD IN CONFIDENCE AND IN TRUST AND WILL NOT BE COPIED, REPRODUCED, WHOLE OR IN PART, NOR ITS CONTENTS REVEALED IN ANY MANNER TO OTHERS, EXCEPT TO MEET THE SPECIFIC PURPOSE FOR WHICH IT WAS DELIVERED.

AZTEC TENTS
 DESIGN & PRODUCTION
 2685 COLUMBIA ST. TORRANCE, CA. 90503
 (800) 228-3687 - FAX (310) 381-0722

TIDEWATER POLE TENT
 59'W x 99'L - 20' BAYS
TIDEWATER SAIL CLOTH POLE TENT
 PART NUMBER: ZXXXXXX

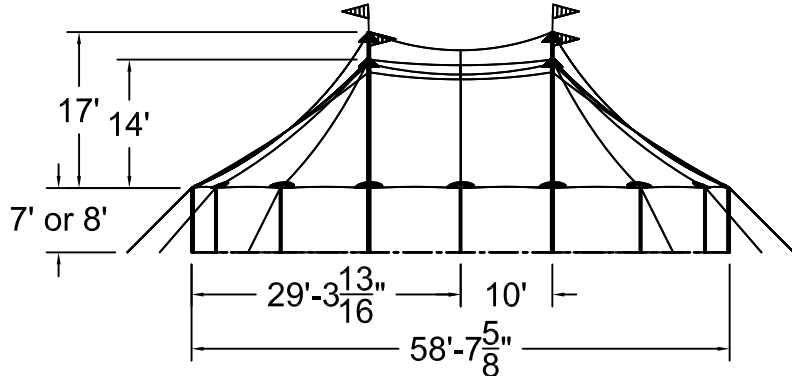


ISOMETRIC VIEW
 5410 SQ. FT

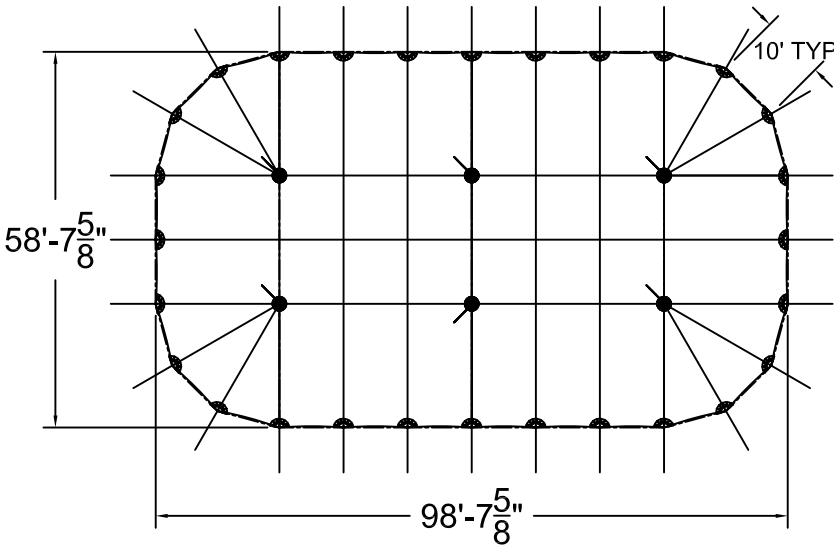


SIDE VIEW

59'W x 99'L TIDEWATER SAIL CLOTH POLE TENT



59'W TW FRONT END

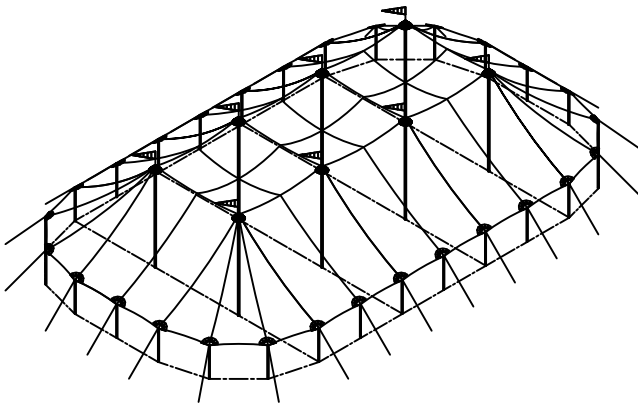


TOP VIEW

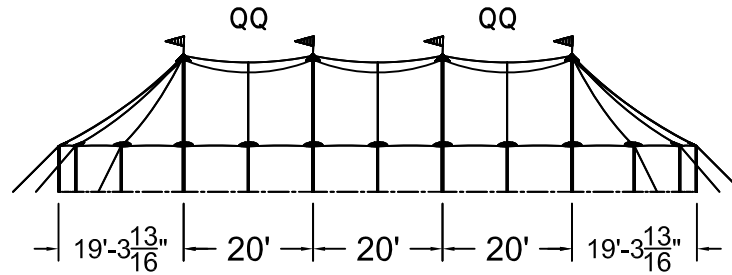
REVISION HISTORY			
REV.	DESCRIPTION	BY:	DATE:

PROPRIETARY

ENGINEER: N/A DATE: 01/29/2024
 PAGE: 1 OF 1 DRAWN: M.CARDENAS

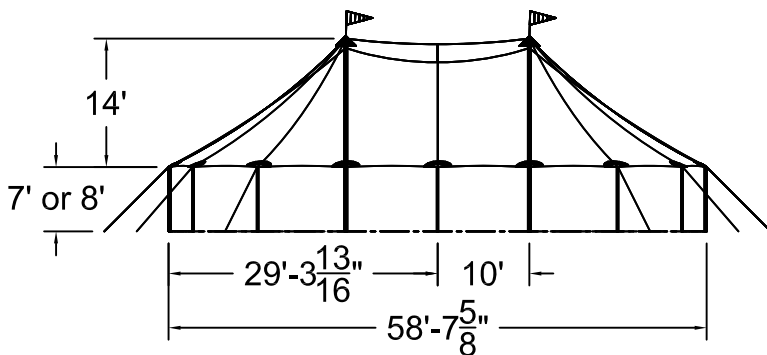


ISOMETRIC VIEW
5410 SQ. FT

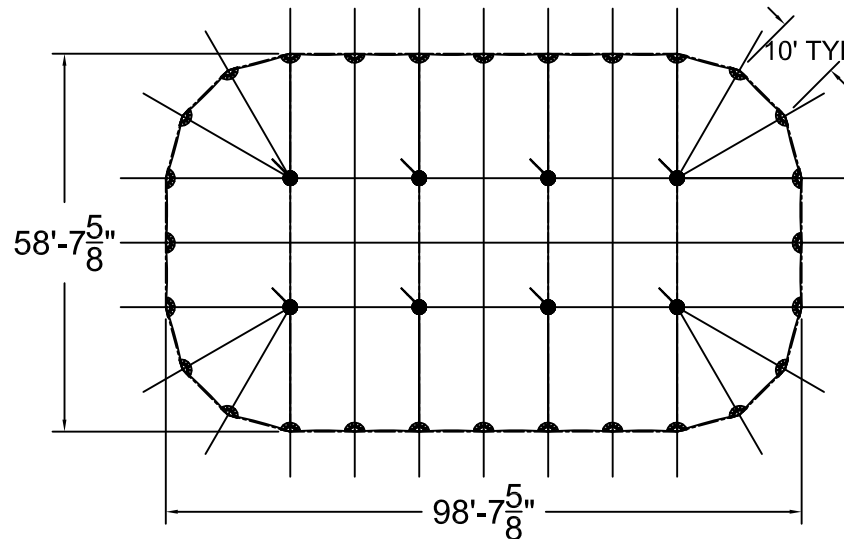


SIDE VIEW

59'W x 99'L TIDEWATER SAIL CLOTH POLE TENT



59'W TW FRONT END



TOP VIEW

ALL DATA AND INFORMATION CONTAINED IN OR DISCLOSED BY THIS DOCUMENT IS CONFIDENTIAL AND PROPRIETARY INFORMATION OF AZTEC TENTS AND ALL RIGHTS THEREIN ARE EXPRESSLY RESERVED. BY ACCEPTING THIS MATERIAL THE RECIPIENT AGREES THAT THIS MATERIAL AND INFORMATION CONTAINED HEREIN IS HELD IN CONFIDENCE AND IN TRUST AND WILL NOT BE COPIED, REPRODUCED, WHOLE OR IN PART, NOR ITS CONTENTS REVEALED IN ANY MANNER TO OTHERS, EXCEPT TO MEET THE SPECIFIC PURPOSE FOR WHICH IT WAS DELIVERED.

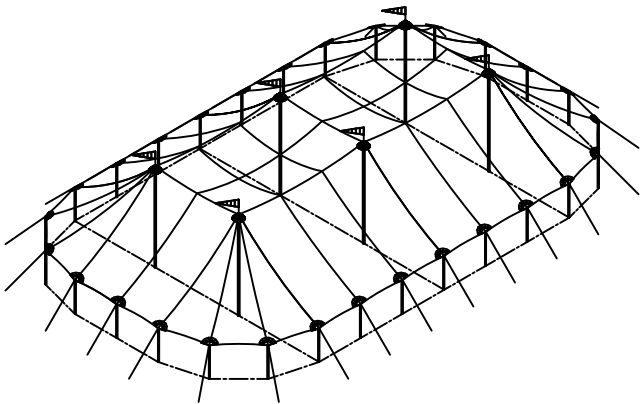
AZTEC TENTS
DESIGN & PRODUCTION
2685 COLUMBIA ST. TORRANCE, CA. 90503
(800) 228-3687 - FAX (310) 381-0722

TIDEWATER POLE TENT
59'W x 99'L - 20' BAYS
TIDEWATER SAIL CLOTH POLE TENT
PART NUMBER: ZXXXXXX

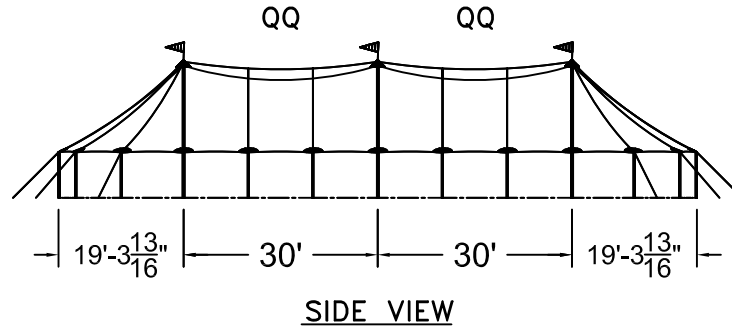
REVISION HISTORY			
REV.	DESCRIPTION	BY:	DATE:

PROPRIETARY

ENGINEER: N/A	DATE: 01/29/2024
PAGE: 1 OF 1	DRAWN: M.CARDENAS

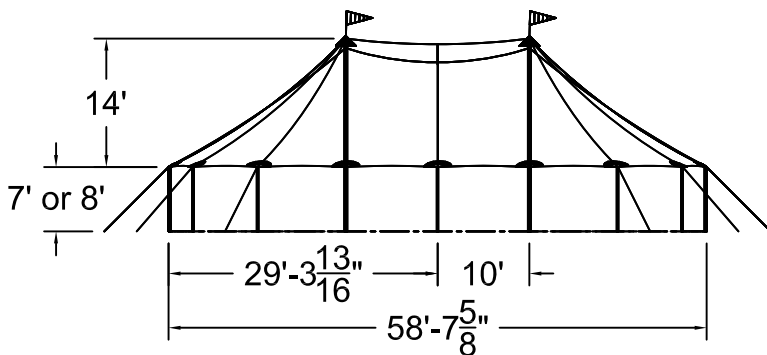


ISOMETRIC VIEW
5410 SQ. FT

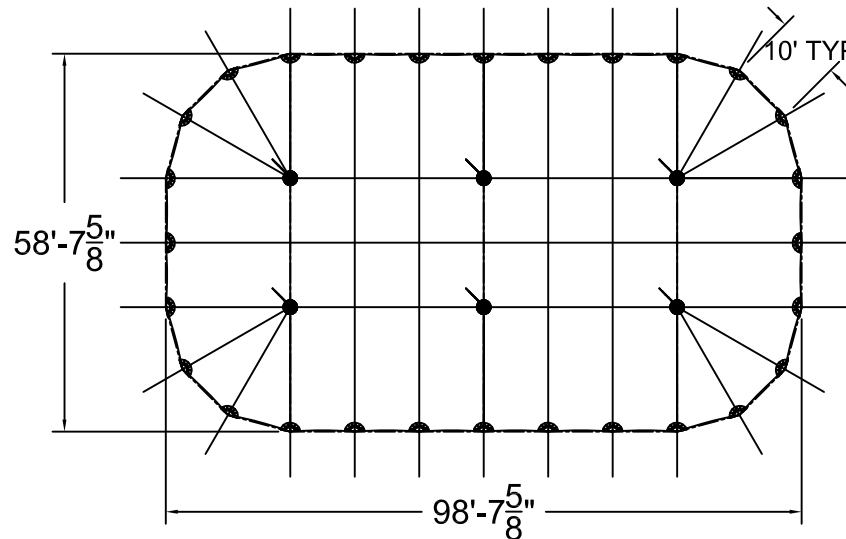


SIDE VIEW

59'W x 99'L TIDEWATER SAIL CLOTH POLE TENT



59'W TW FRONT END



TOP VIEW

ALL DATA AND INFORMATION CONTAINED IN OR DISCLOSED BY THIS DOCUMENT IS CONFIDENTIAL AND PROPRIETARY INFORMATION OF AZTEC TENTS AND ALL RIGHTS THEREIN ARE EXPRESSLY RESERVED. BY ACCEPTING THIS MATERIAL THE RECIPIENT AGREES THAT THIS MATERIAL AND INFORMATION CONTAINED HEREIN IS HELD IN CONFIDENCE AND IN TRUST AND WILL NOT BE COPIED, REPRODUCED, WHOLE OR IN PART, NOR ITS CONTENTS REVEALED IN ANY MANNER TO OTHERS, EXCEPT TO MEET THE SPECIFIC PURPOSE FOR WHICH IT WAS DELIVERED.

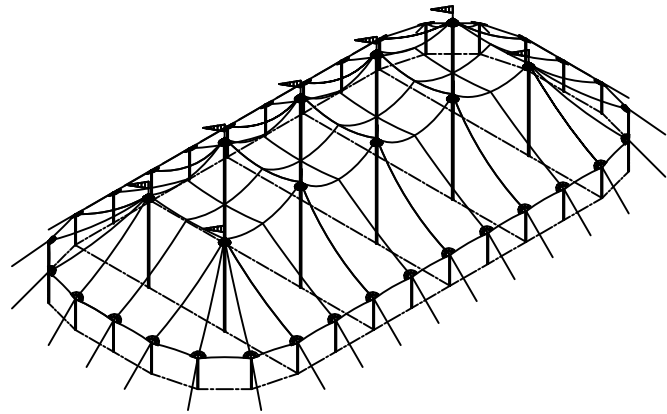
AZTEC TENTS
DESIGN & PRODUCTION
2685 COLUMBIA ST. TORRANCE, CA. 90503
(800) 228-3687 - FAX (310) 381-0722

TIDEWATER POLE TENT
59'W x 99'L - 20' BAYS
TIDEWATER SAIL CLOTH POLE TENT
PART NUMBER: ZXXXXXX

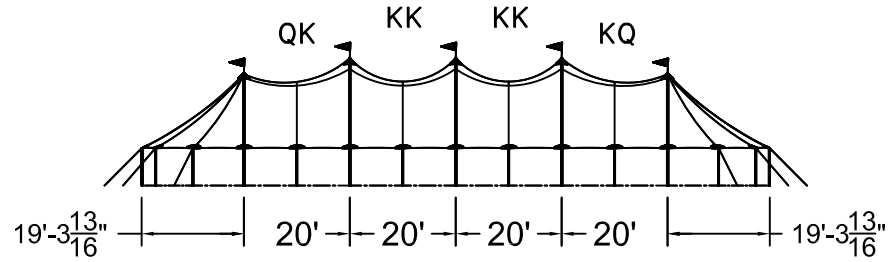
REVISION HISTORY			
REV.	DESCRIPTION	BY:	DATE:

PROPRIETARY

ENGINEER: N/A	DATE: 01/29/2024
PAGE: 1 OF 1	DRAWN: M.CARDENAS

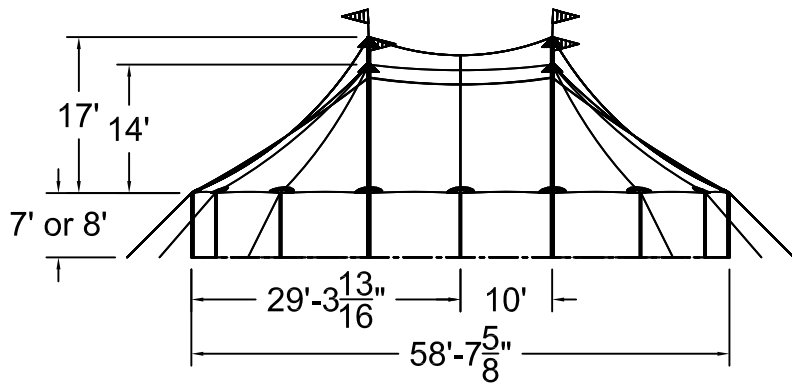


ISOMETRIC VIEW
6583 SQ. FT

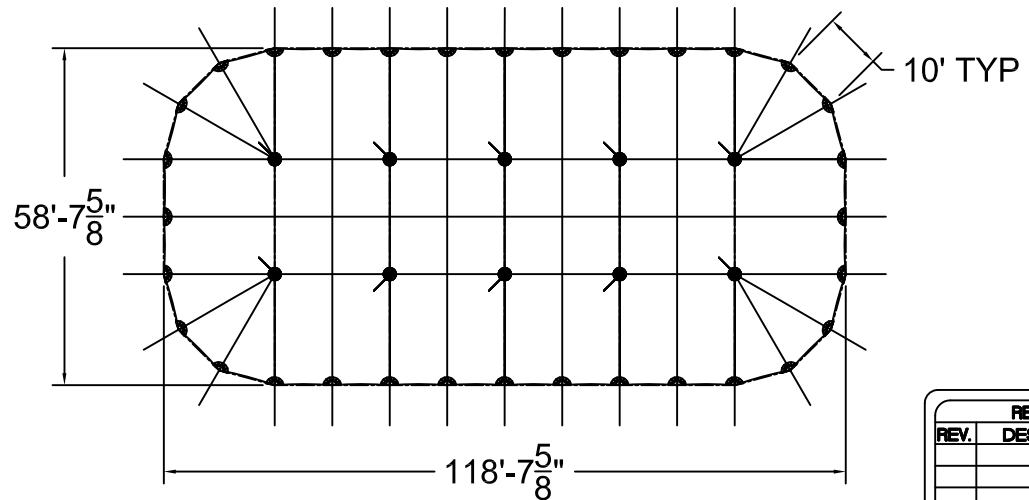


SIDE VIEW

59'W x 119'L TIDEWATER SAIL CLOTH POLE TENT



59'W TW FRONT END



TOP VIEW

ALL DATA AND INFORMATION CONTAINED IN OR DISCLOSED BY THIS DOCUMENT IS CONFIDENTIAL AND PROPRIETARY INFORMATION OF AZTEC TENTS AND ALL RIGHTS THEREIN ARE EXPRESSLY RESERVED. BY ACCEPTING THIS MATERIAL THE RECIENT AGREES THAT THIS MATERIAL AND INFORMATION CONTAINED HEREIN IS HELD IN CONFIDENCE AND IN TRUST AND WILL NOT BE COPIED, REPRODUCED, WHOLE OR IN PART, NOR ITS CONTENTS REVEALED IN ANY MANNER TO OTHERS, EXCEPT TO MEET THE SPECIFIC PURPOSE FOR WHICH IT WAS DELIVERED.

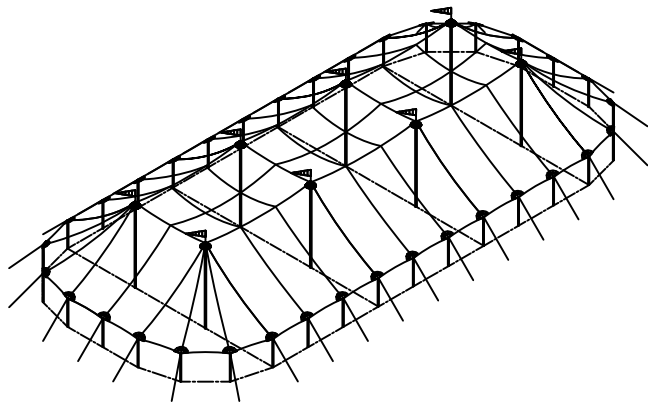
AZTEC TENTS
DESIGN & PRODUCTION
2685 COLUMBIA ST. TORRANCE, CA. 90503
(800) 228-3687 - FAX (310) 381-0722

TIDEWATER POLE TENT
59'W x 119'L - 20' BAYS
TIDEWATER SAIL CLOTH POLE TENT
PART NUMBER: ZXXXXXX

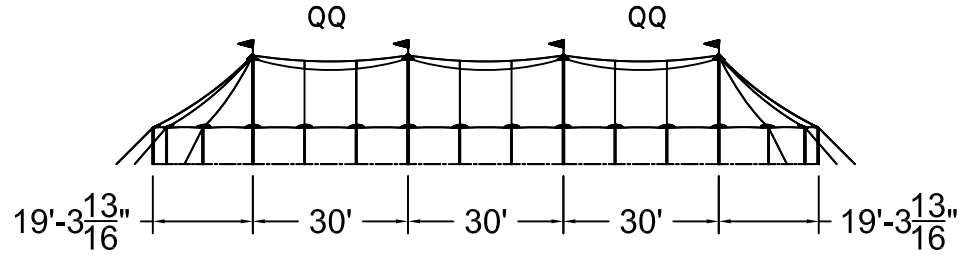
REVISION HISTORY			
REV.	DESCRIPTION	BY:	DATE:

PROPRIETARY

ENGINEER: N/A	DATE: 01/29/2024
PAGE: 1 OF 1	DRAWN: M.CARDENAS

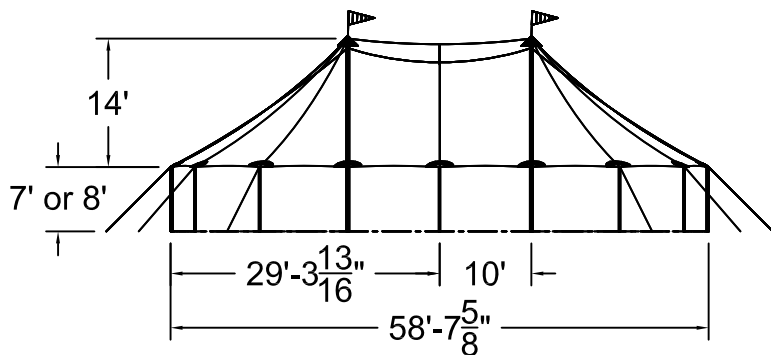


ISOMETRIC VIEW
7170 SQ. FT

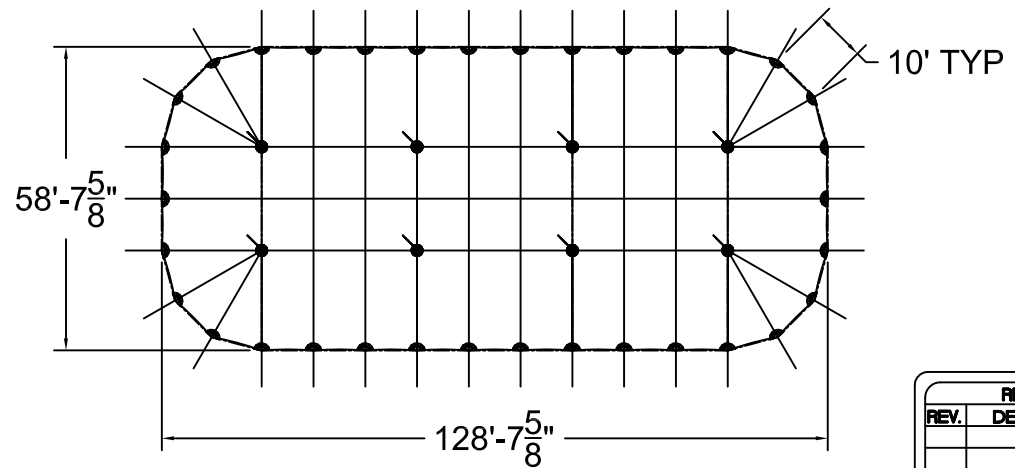


SIDE VIEW

59'W x 129'L TIDEWATER SAIL CLOTH POLE TENT



59'W TW FRONT END



TOP VIEW

ALL DATA AND INFORMATION CONTAINED IN OR DISCLOSED BY THIS DOCUMENT IS CONFIDENTIAL AND PROPRIETARY INFORMATION OF AZTEC TENTS AND ALL RIGHTS THEREIN ARE EXPRESSLY RESERVED. BY ACCEPTING THIS MATERIAL THE RECIENT AGREES THAT THIS MATERIAL AND INFORMATION CONTAINED HEREIN IS HELD IN CONFIDENCE AND IN TRUST AND WILL NOT BE COPIED, REPRODUCED, WHOLE OR IN PART, OR ITS CONTENTS REVEALED IN ANY MANNER TO OTHERS, EXCEPT TO MEET THE SPECIFIC PURPOSE FOR WHICH IT WAS DELIVERED.

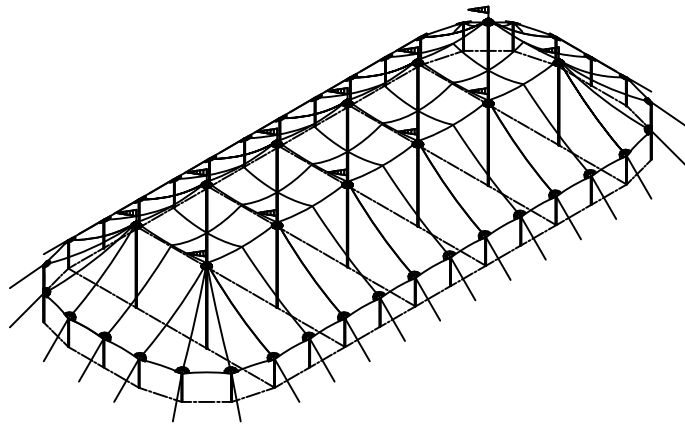
AZTEC TENTS
DESIGN & PRODUCTION
2685 COLUMBIA ST. TORRANCE, CA. 90503
(800) 228-3687 - FAX (310) 381-0722

TIDEWATER POLE TENT
59'W x 129'L - 30' BAYS
TIDEWATER SAIL CLOTH POLE TENT
PART NUMBER: ZXXXXXX

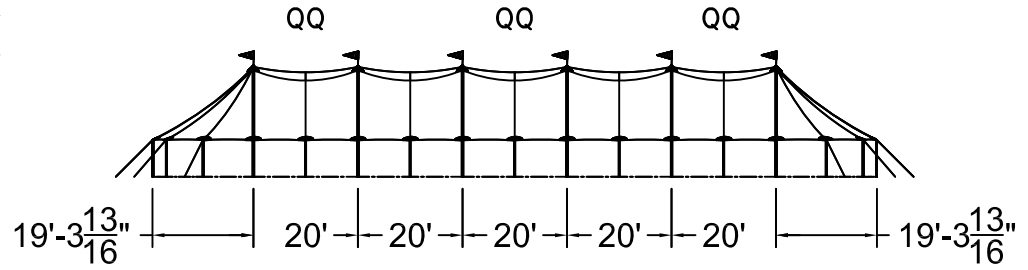
REVISION HISTORY			
REV.	DESCRIPTION	BY:	DATE:

PROPRIETARY

ENGINEER: N/A	DATE: 01/29/2024
PAGE: 1 OF 1	DRAWN: M.CARDENAS

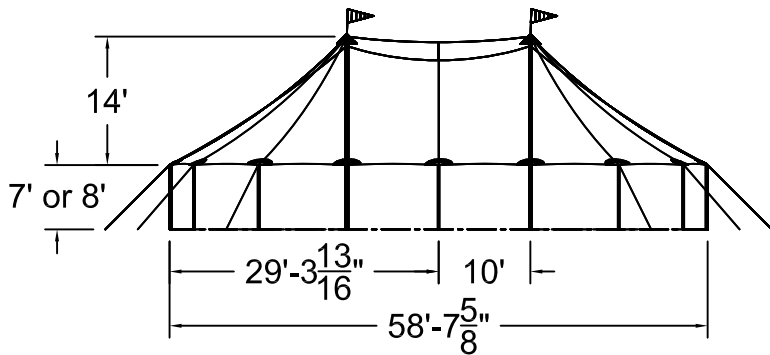


ISOMETRIC VIEW
7756 SQ. FT

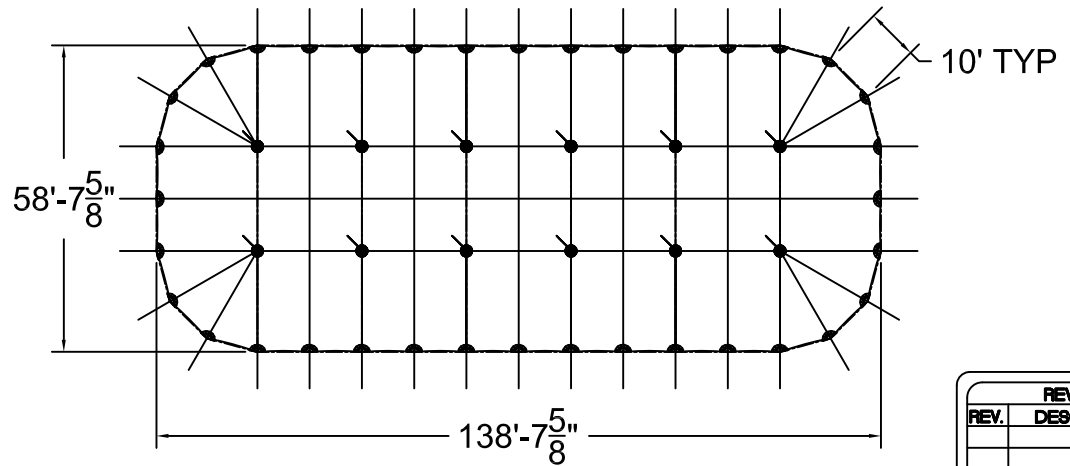


SIDE VIEW

59'W x 138'L TIDEWATER SAIL CLOTH POLE TENT



59'W TW FRONT END



TOP VIEW

ALL DATA AND INFORMATION CONTAINED IN OR DISCLOSED BY THIS DOCUMENT IS CONFIDENTIAL AND PROPRIETARY INFORMATION OF AZTEC TENTS AND ALL RIGHTS THEREIN ARE EXPRESSLY RESERVED. BY ACCEPTING THIS MATERIAL THE RECIENT AGREES THAT THIS MATERIAL AND INFORMATION CONTAINED HEREIN IS HELD IN CONFIDENCE AND IN TRUST AND WILL NOT BE COPIED, REPRODUCED, WHOLE OR IN PART, NOR ITS CONTENTS REVEALED IN ANY MANNER TO OTHERS, EXCEPT TO MEET THE SPECIFIC PURPOSE FOR WHICH IT WAS DELIVERED.

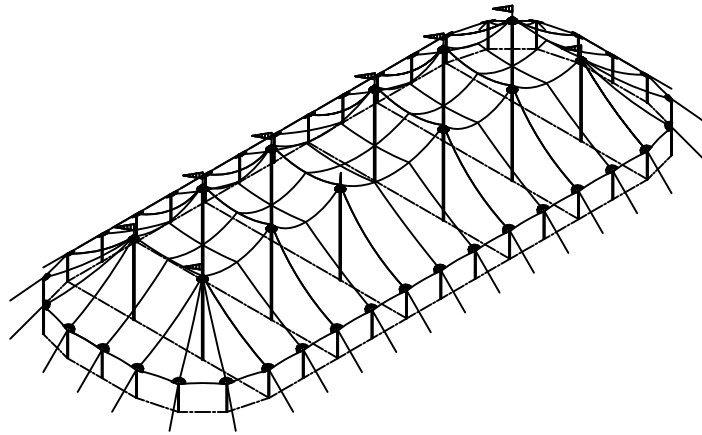
AZTEC TENTS
DESIGN & PRODUCTION
2685 COLUMBIA ST. TORRANCE, CA. 90503
(800) 228-3687 - FAX (310) 381-0722

TIDEWATER POLE TENT
59'W x 138'L - 20' BAYS
TIDEWATER SAIL CLOTH POLE TENT
PART NUMBER: ZXXXXXX

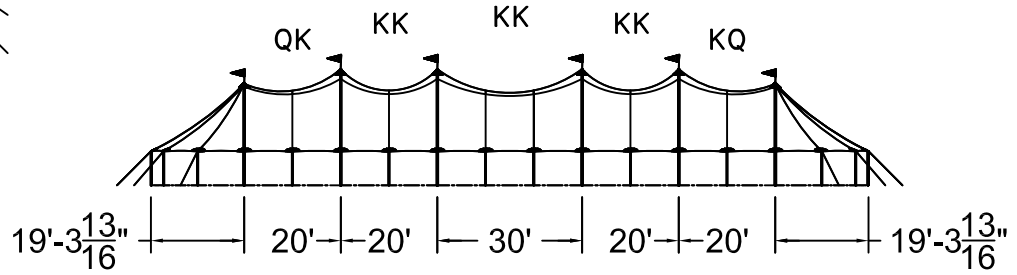
REVISION HISTORY			
REV.	DESCRIPTION	BY	DATE

PROPRIETARY

ENGINEER: N/A	DATE: 01/29/2024
PAGE: 1 OF 1	DRAWN: M.CARDENAS

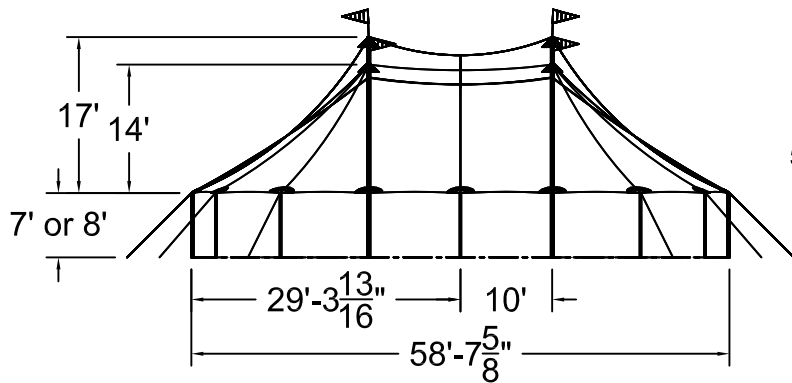


ISOMETRIC VIEW
8342 SQ. FT

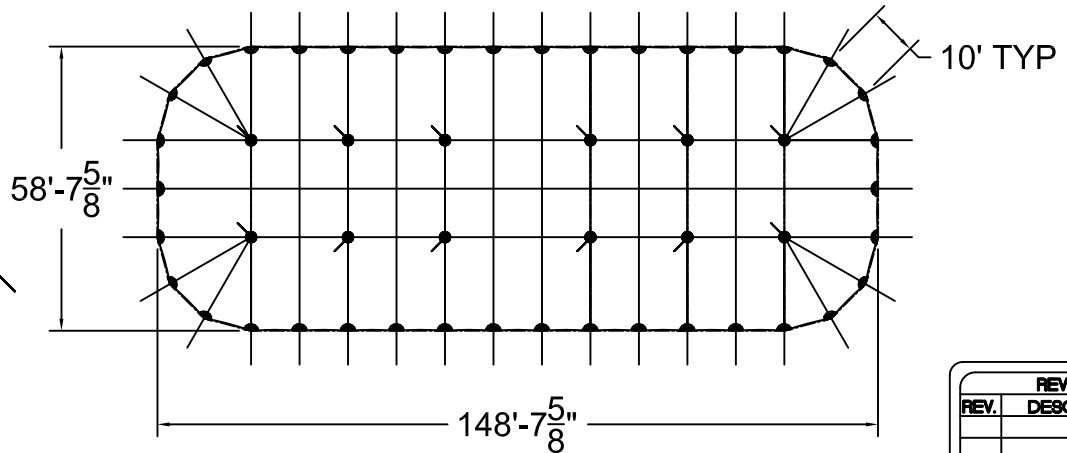


SIDE VIEW

59'W x 149'L TIDEWATER SAIL CLOTH POLE TENT



59'W TW FRONT END



TOP VIEW

ALL DATA AND INFORMATION CONTAINED IN OR DISCLOSED BY THIS DOCUMENT IS CONFIDENTIAL AND PROPRIETARY INFORMATION OF AZTEC TENTS AND ALL RIGHTS THEREIN ARE EXPRESSLY RESERVED. BY ACCEPTING THIS MATERIAL THE RECIENT AGREES THAT THIS MATERIAL AND INFORMATION CONTAINED HEREIN IS HELD IN CONFIDENCE AND IN TRUST AND WILL NOT BE COPIED, REPRODUCED, WHOLE OR IN PART, NOR ITS CONTENTS REVEALED IN ANY MANNER TO OTHERS, EXCEPT TO MEET THE SPECIFIC PURPOSE FOR WHICH IT WAS DELIVERED.

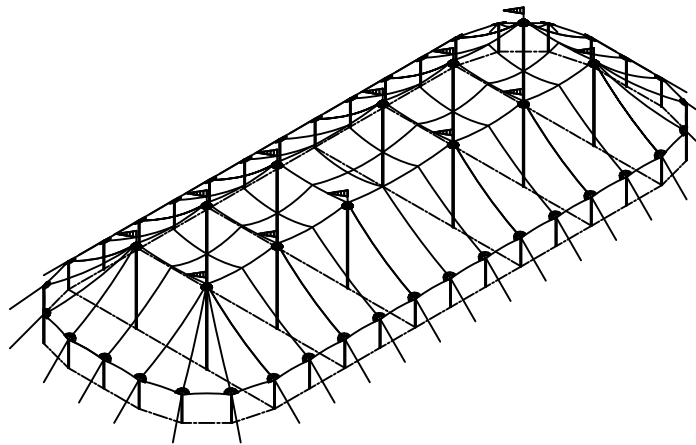
AZTEC TENTS
DESIGN & PRODUCTION
2685 COLUMBIA ST. TORRANCE, CA. 90503
(800) 228-3687 - FAX (310) 381-0722

TIDEWATER POLE TENT
59'W x 149'L x 20'-30' BAY
TIDEWATER SAIL CLOTH POLE TENT
PART NUMBER: ZXXXXXX

REVISION HISTORY			
REV.	DESCRIPTION	BY:	DATE:

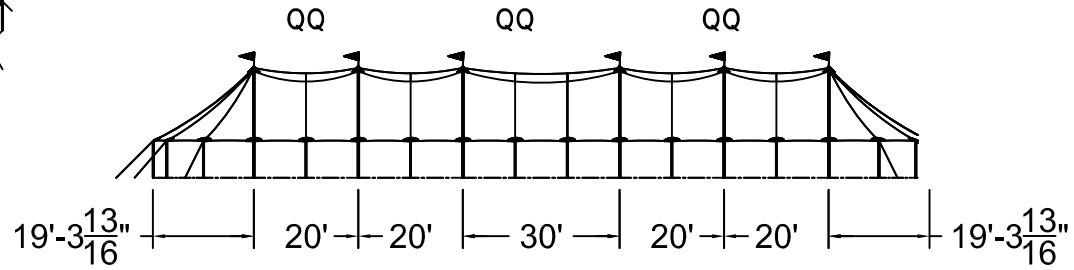
PROPRIETARY

ENGINEER: N/A	DATE: 01/29/2024
PAGE: 1 OF 1	DRAWN: M.CARDENAS



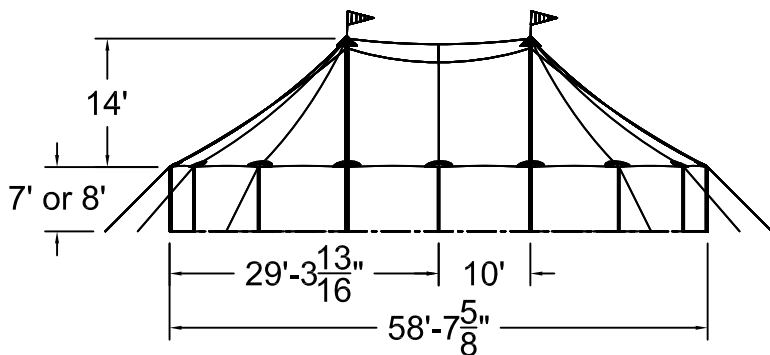
ISOMETRIC VIEW

8342 SQ. FT

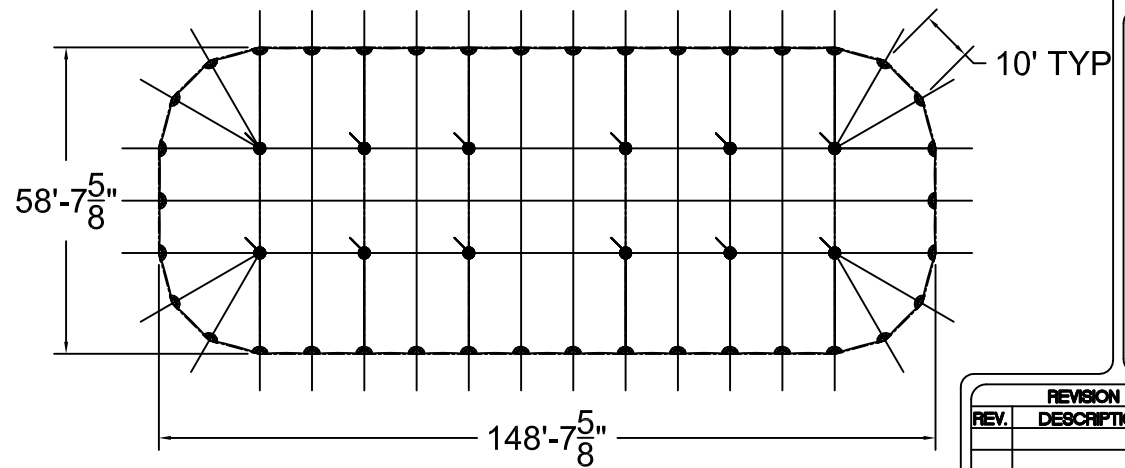


SIDE VIEW

59'W x 149'L TIDEWATER SAIL CLOTH POLE TENT



59'W TW FRONT END



TOP VIEW

ALL DATA AND INFORMATION CONTAINED IN OR DISCLOSED BY THIS DOCUMENT IS CONFIDENTIAL AND PROPRIETARY INFORMATION OF AZTEC TENTS AND ALL RIGHTS THEREIN ARE EXPRESSLY RESERVED. BY ACCEPTING THIS MATERIAL THE RECIENT AGREES THAT THIS MATERIAL AND INFORMATION CONTAINED HEREIN IS HELD IN CONFIDENCE AND IN TRUST AND WILL NOT BE COPIED, REPRODUCED, WHOLE OR IN PART, NOR ITS CONTENTS REVEALED IN ANY MANNER TO OTHERS, EXCEPT TO MEET THE SPECIFIC PURPOSE FOR WHICH IT WAS DELIVERED.

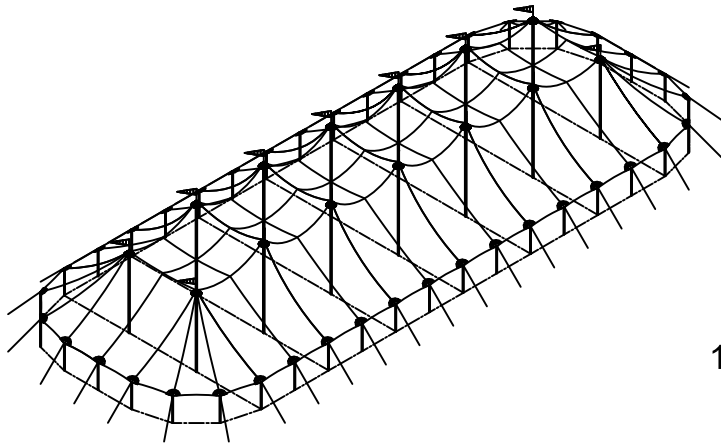
AZTEC TENTS
 DESIGN & PRODUCTION
 2685 COLUMBIA ST. TORRANCE, CA. 90503
 (800) 228-3687 - FAX (310) 381-0722

TIDEWATER POLE TENT
 59'W x 149'L x 20'-30' BAY
TIDEWATER SAIL CLOTH POLE TENT
 PART NUMBER: ZXXXXXX

REVISION HISTORY			
REV.	DESCRIPTION	BY:	DATE:

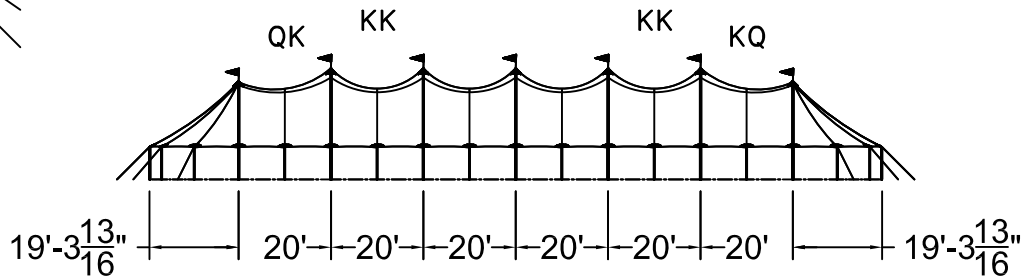
PROPRIETARY

ENGINEER: N/A	DATE: 01/29/2024
PAGE: 1 OF 1	DRAWN: M.CARDENAS



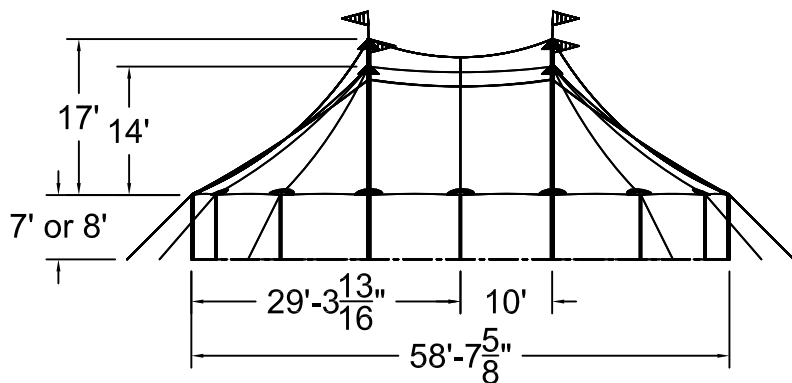
ISOMETRIC VIEW

8929 SQ. FT

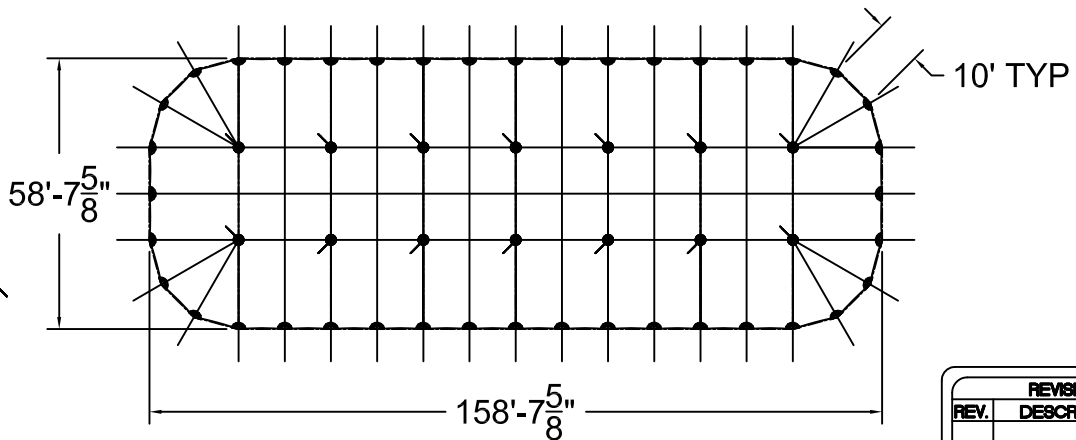


SIDE VIEW

59'W x 159'L TIDEWATER SAIL CLOTH POLE TENT



59'W TW FRONT END



TOP VIEW

ALL DATA AND INFORMATION CONTAINED IN OR DISCLOSED BY THIS DOCUMENT IS CONFIDENTIAL AND PROPRIETARY INFORMATION OF AZTEC TENTS AND ALL RIGHTS THEREIN ARE EXPRESSLY RESERVED. BY ACCEPTING THIS MATERIAL THE RECIENT AGREES THAT THIS MATERIAL AND INFORMATION CONTAINED THEREIN IS HELD IN CONFIDENCE AND IN TRUST AND WILL NOT BE COPIED, REPRODUCED, WHOLE OR IN PART, OR ITS CONTENTS REVEALED IN ANY MANNER TO OTHERS, EXCEPT TO MEET THE SPECIFIC PURPOSE FOR WHICH IT WAS DELIVERED.

AZTEC TENTS
 DESIGN & PRODUCTION
 2685 COLUMBIA ST. TORRANCE, CA. 90503
 (800) 228-3687 - FAX (310) 381-0722

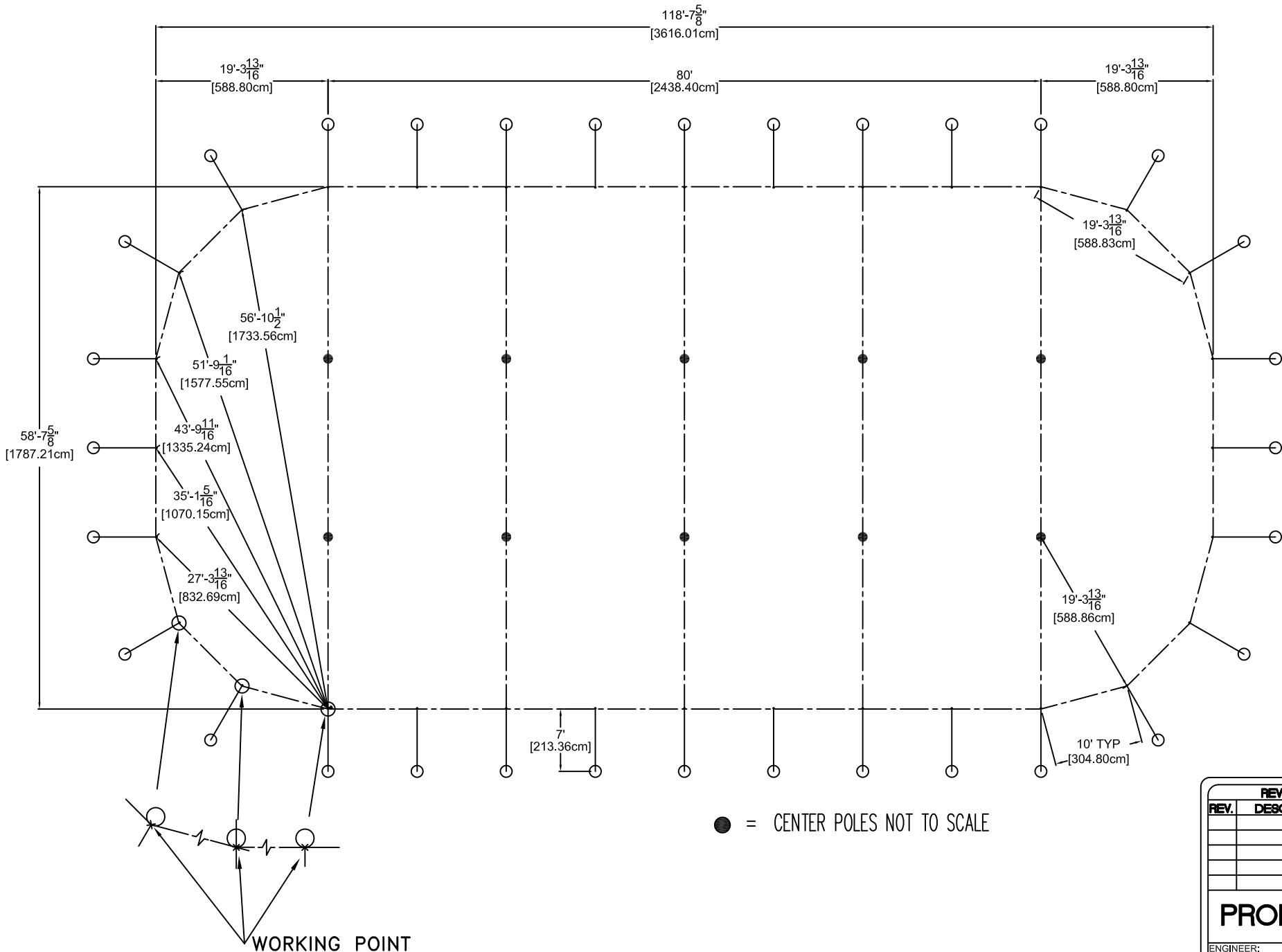
TIDEWATER POLE TENT
 59'W x 159'L - 20' BAYS
 TIDEWATER SAIL CLOTH POLE TENT
 PART NUMBER: ZXXXXXX

REVISION HISTORY			
REV.	DESCRIPTION	BY:	DATE:

PROPRIETARY

ENGINEER: N/A	DATE: 01/29/2024
PAGE: 1 OF 1	DRAWN: M.CARDENAS

59x TIDEWATER SQUARING DIAGRAM



ALL DATA AND INFORMATION CONTAINED IN OR DISCLOSED BY THIS DOCUMENT IS CONFIDENTIAL AND PROPRIETARY INFORMATION OF AZTEC TENTS AND ALL RIGHTS THEREIN ARE EXPRESSLY RESERVED. BY ACCEPTING THIS MATERIAL THE CLIENT AGREES THAT THIS MATERIAL AND INFORMATION CONTAINED THEREIN IS HELD IN CONFIDENCE AND IN TRUST AND WILL NOT BE COPIED, REPRODUCED, WHOLE OR IN PART, OR ITS CONTENTS REVEALED IN ANY MANNER TO OTHERS, EXCEPT TO MEET THE SPECIFIC PURPOSE FOR WHICH IT WAS DELIVERED.

AZTEC TENTS
 DESIGN & PRODUCTION
 2685 COLUMBIA ST. TORRANCE, CA. 90503
 (800) 228-3687 - FAX (310) 381-0722

TIDEWATER POLE TENT
 59x TIDEWATER SQUARING DIAGRAM
 PART NUMBER: ZXXXXXX

REVISION HISTORY			
REV.	DESCRIPTION	BY:	DATE:

PROPRIETARY

ENGINEER: N/A	DATE: 01/29/2024
PAGE: 1 OF 1	DRAWN: M.CARDENAS