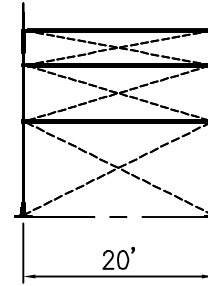
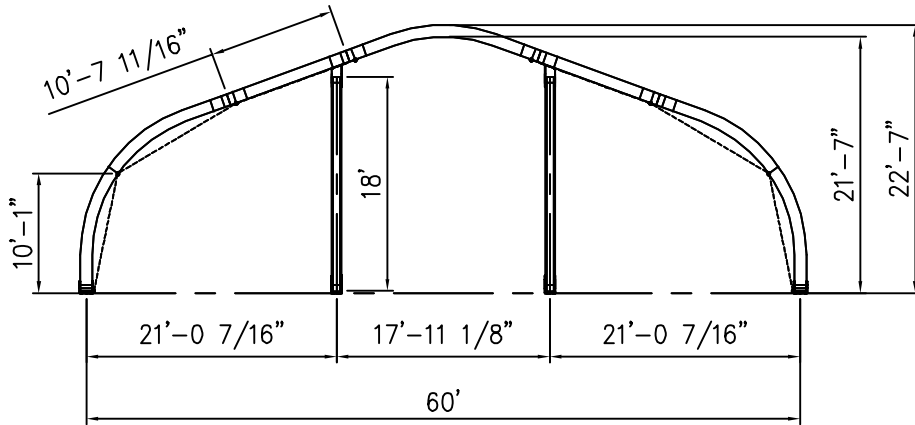
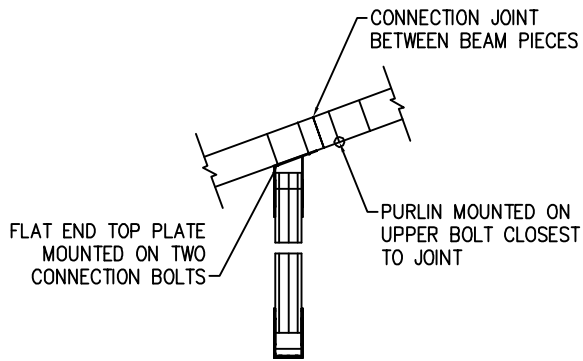


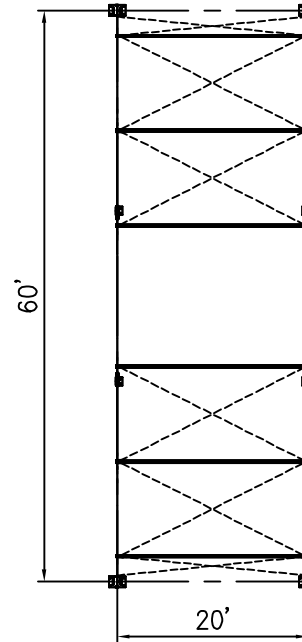
ISOMETRIC ELEVATION



SIDE ELEVATION



FRONT ELEVATION



PLAN ELEVATION



480 ALASKA AVE. TORRANCE, CA. 90503
(800) 228-3687 - FAX (310) 381-0722

ENGINEER CM
DRAWN KT
DATE 04/13/06

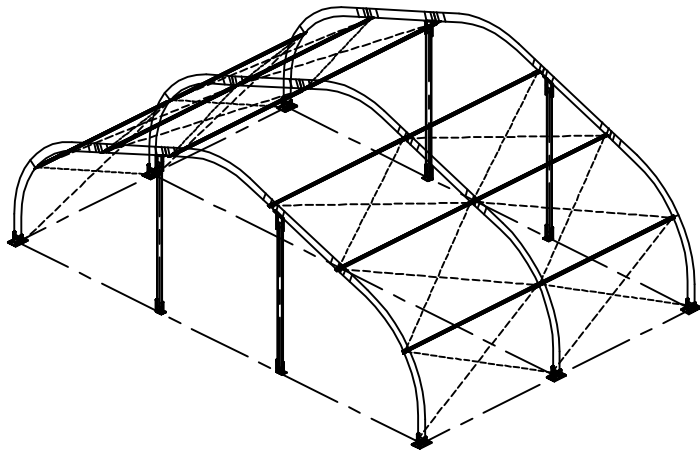
ALL DATA AND INFORMATION CONTAINED IN OR DISCLOSED BY THIS DOCUMENT IS CONFIDENTIAL AND PROPRIETARY INFORMATION OF AZTEC TENTS AND ALL RIGHTS THEREIN ARE RESERVED BY AZTEC TENTS. THE RECIPIENT AGREES THAT THIS MATERIAL AND INFORMATION CONTAINED HEREIN IS HELD IN CONFIDENCE AND IN TRUST AND WILL NOT BE COPIED, REPRODUCED WHOLE OR IN PART, NOR ITS CONTENTS REVEALED IN ANY MANNER TO OTHERS, WITHOUT THE WRITTEN CONSENT OF AZTEC TENTS. THIS AGREEMENT IS MADE TO MEET THE SPECIFIC PURPOSE FOR WHICH IT WAS DELIVERED.

MX\BUILDING\60-W\60x20x20 041306 1600

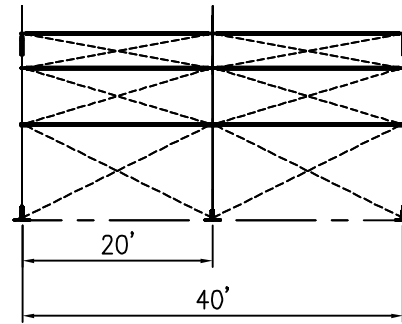
STANDARD

MAXI BEAM STRUCTURE / STANDARD
60' W x 20' L x 20' BAYS

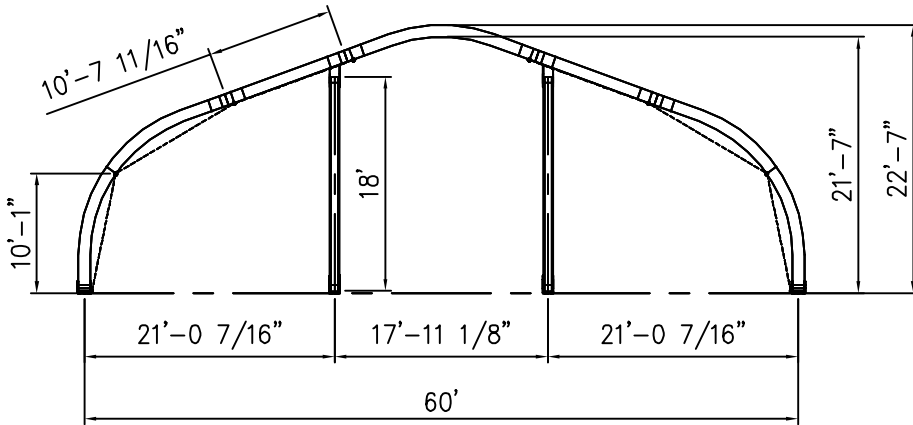
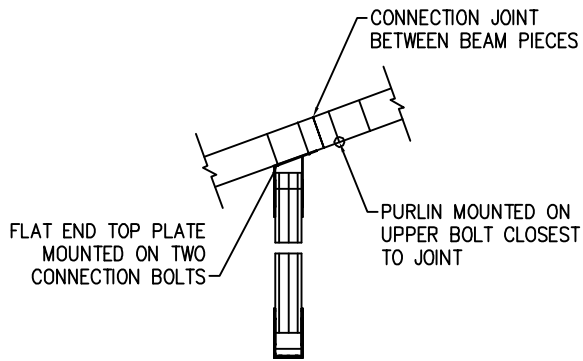
REV	0
DRAWING NUMBER	AZ-60x20x20-MAXI
CODE	MAXI
PART DESCRIPTION	MAXI



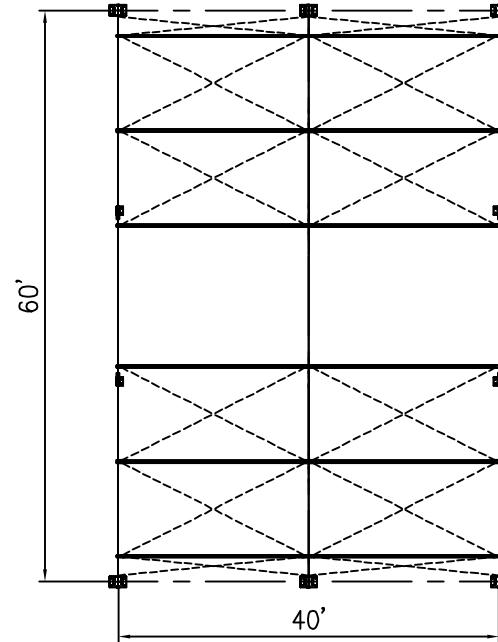
ISOMETRIC ELEVATION



SIDE ELEVATION



FRONT ELEVATION



PLAN ELEVATION



480 ALASKA AVE. TORRANCE, CA. 90503
(800) 228-3687 - FAX (310) 381-0722

ENGINEER CM
DRAWN KT
DATE 04/13/06

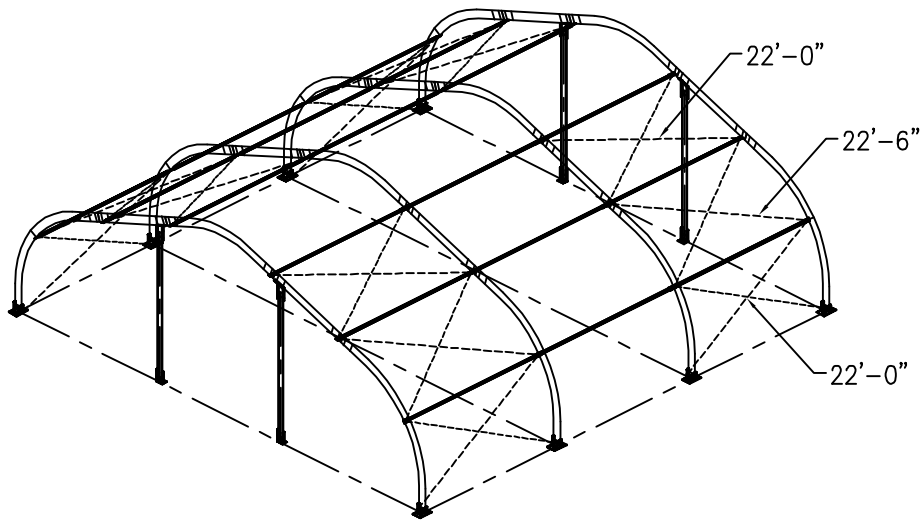
ALL DATA AND INFORMATION CONTAINED IN OR DISCLOSED BY THIS DOCUMENT IS CONFIDENTIAL AND PROPRIETARY INFORMATION OF AZTEC TENTS AND ALL RIGHTS THEREIN ARE RESERVED. THE RECIPIENT AGREES THAT THIS MATERIAL AND INFORMATION CONTAINED HEREIN IS HELD IN CONFIDENCE AND IN TRUST AND WILL NOT BE COPIED, REPRODUCED WHOLE OR IN PART, NOR ITS CONTENTS REVEALED IN ANY MANNER TO OTHERS, WITHOUT THE WRITTEN CONSENT OF AZTEC TENTS, INC. TO MEET THE SPECIFIC PURPOSE FOR WHICH IT WAS DELIVERED.

041306 1615
MX\BUILDING\60-W\60x40x20

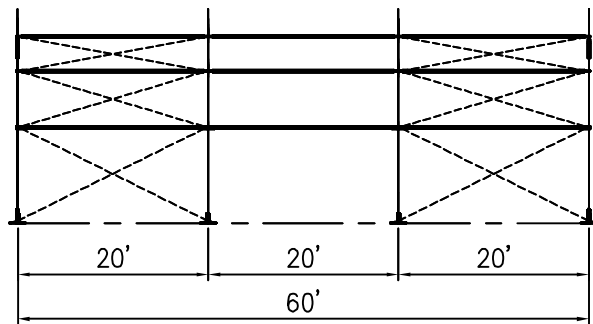
STANDARD

MAXI BEAM STRUCTURE / STANDARD
60' W x 40' L x 20' BAYS

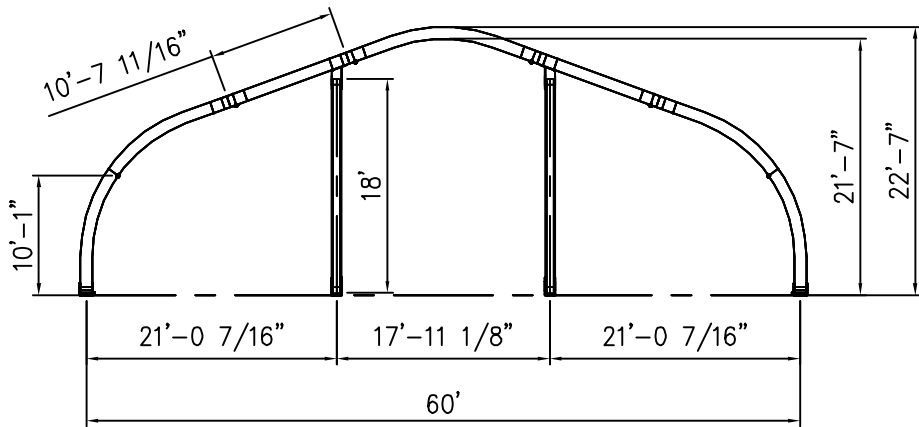
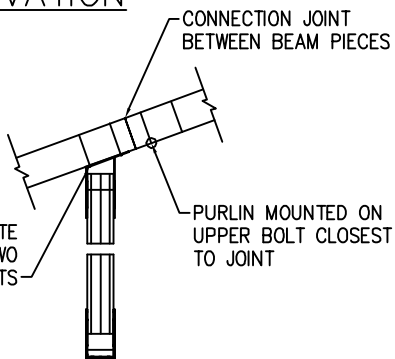
REV	0
DRAWING NUMBER	AZ-60x40x20-MAXI
CODE	
SIZE	
PART DESCRIPTION	MAXI



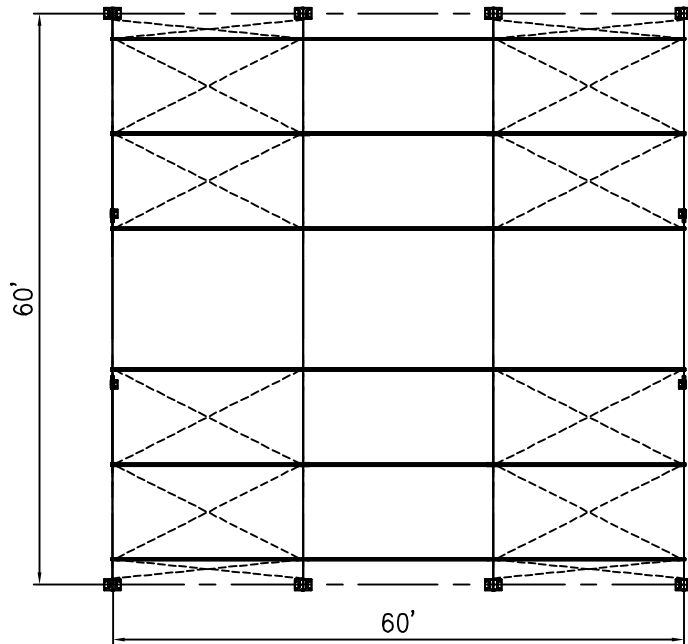
ISOMETRIC ELEVATION



SIDE ELEVATION



FRONT ELEVATION



PLAN ELEVATION



2665 COLUMBIA ST. TORRANCE, CA. 90503
(800) 228-3687 - FAX (310) 381-0722

STANDARD

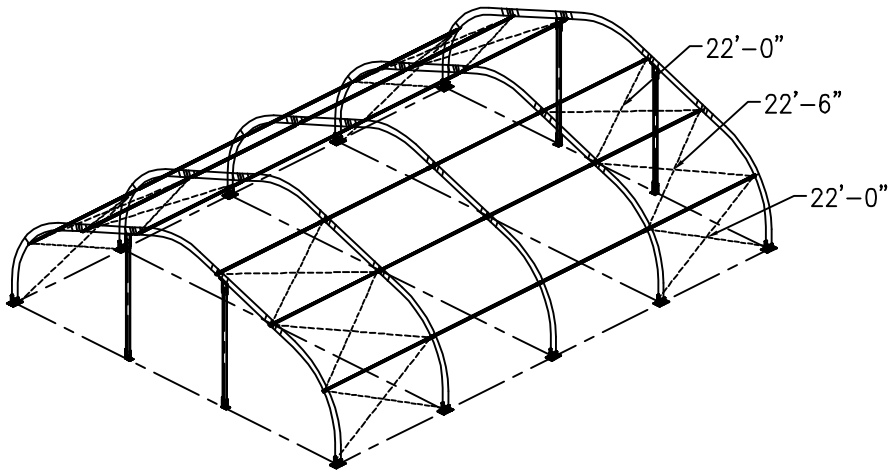
MAXI BEAM STRUCTURE / STANDARD
60' W x 60' L x 20' BAYS

REV	
DRAWING NUMBER	MAXI
SIZE	AZ-60x60x20-MAXI
CODE	
PART DESCRIPTION	

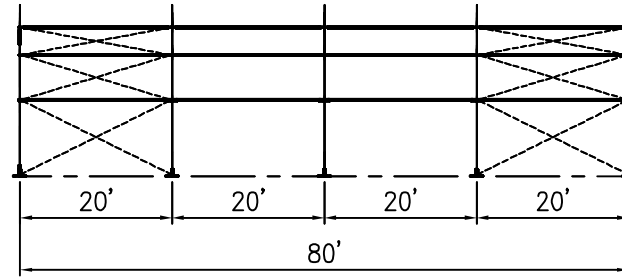
ENGINEER	CM
DRAWN	KT
DATE	04/13/06
CHECKED	-

ALL DATA AND INFORMATION CONTAINED IN OR DISCLOSED BY THIS DOCUMENT IS CONFIDENTIAL AND PROPRIETARY INFORMATION OF AZTEC TENTS AND ALL RIGHTS THEREIN ARE RESERVED BY AZTEC TENTS. THE RECIPIENT AGREES THAT THIS MATERIAL AND INFORMATION CONTAINED HEREIN IS HELD IN CONFIDENCE AND IN TRUST AND WILL NOT BE COPIED, REPRODUCED WHOLE OR IN PART, NOR ITS CONTENTS REVEALED IN ANY MANNER TO OTHERS, WITHOUT THE WRITTEN CONSENT OF AZTEC TENTS. THIS AGREEMENT TO MEET THE SPECIFIC PURPOSE FOR WHICH IT WAS DELIVERED.

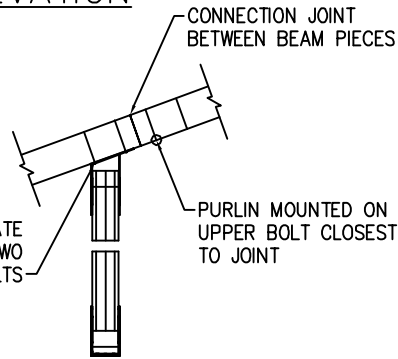
PROJECT NUMBER	022608
DATE	1045
FILE NAME	MX\BUILDING\60-W\60x60x20



ISOMETRIC ELEVATION



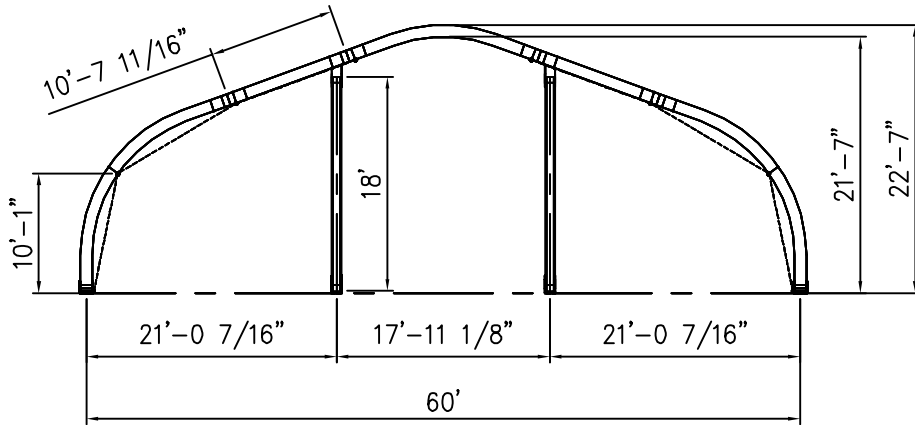
SIDE ELEVATION



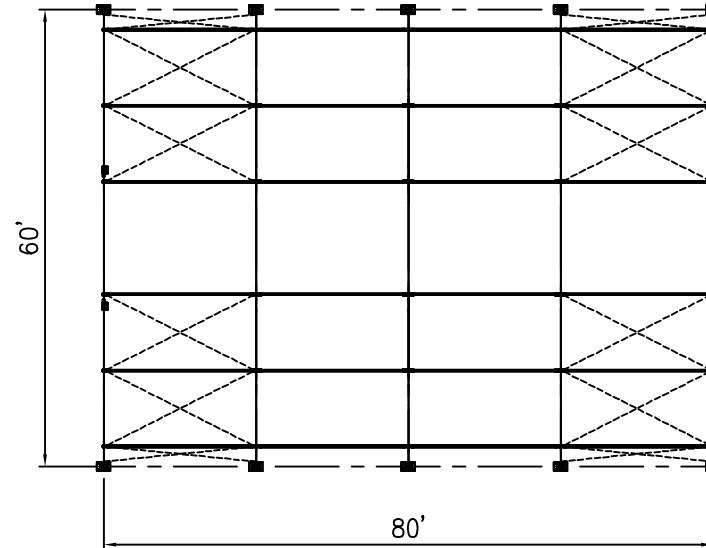
FLAT END TOP PLATE MOUNTED ON TWO CONNECTION BOLTS

CONNECTION JOINT BETWEEN BEAM PIECES

PURLIN MOUNTED ON UPPER BOLT CLOSEST TO JOINT



FRONT ELEVATION

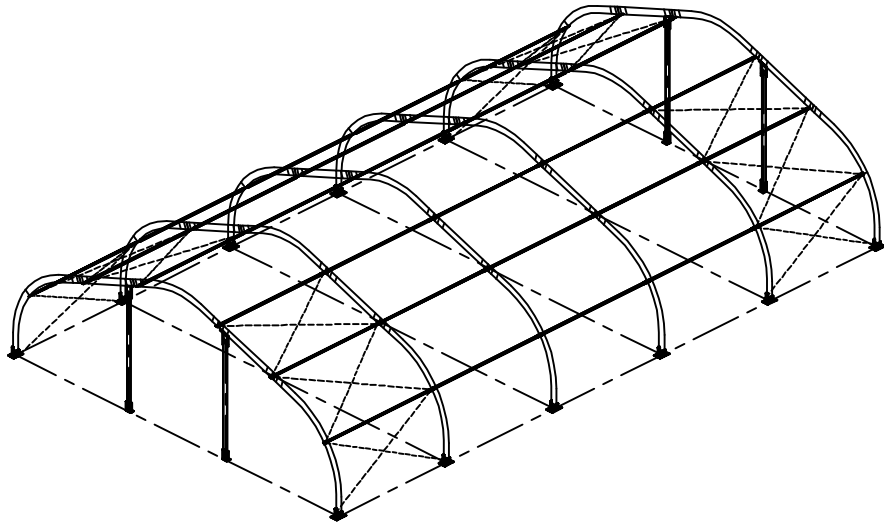


PLAN ELEVATION

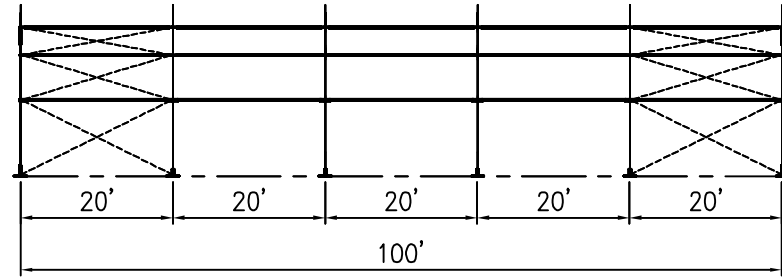
STANDARD	
MAXI BEAM STRUCTURE / STANDARD	
60' W x 80' L x 20' BAYS	
PART DESCRIPTION	DRAWING NUMBER
MAXI	AZ-60x80x20-MAXI

480 ALASKA AVE. TORRANCE, CA. 90503 (800) 228-3687 - FAX (310) 381-0722	
ENGINEER	DATE
CM	04/13/06
CHECKED	
	041306 1635

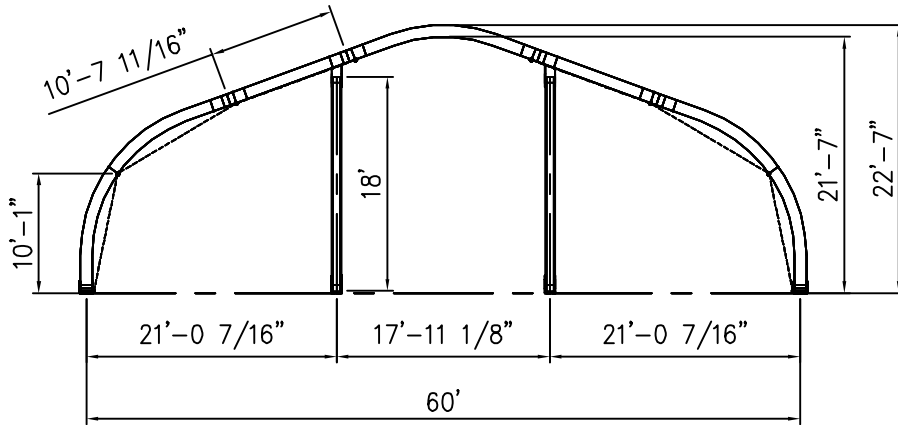
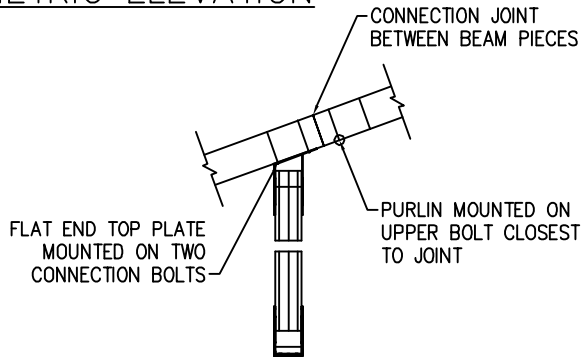
ALL DATA AND INFORMATION CONTAINED IN OR DISCLOSED BY THIS DOCUMENT IS CONFIDENTIAL AND PROPRIETARY INFORMATION OF AZTEC TENTS AND ALL RIGHTS THEREIN ARE RESERVED BY AZTEC TENTS. THE RECIPIENT AGREES THAT THIS MATERIAL AND INFORMATION CONTAINED HEREIN IS HELD IN CONFIDENCE AND IN TRUST AND WILL NOT BE COPIED, REPRODUCED WHOLE OR IN PART, NOR ITS CONTENTS REVEALED IN ANY MANNER TO OTHERS, WITHOUT THE WRITTEN CONSENT OF AZTEC TENTS. THIS AGREEMENT IS MADE TO MEET THE SPECIFIC PURPOSE FOR WHICH IT WAS DELIVERED.



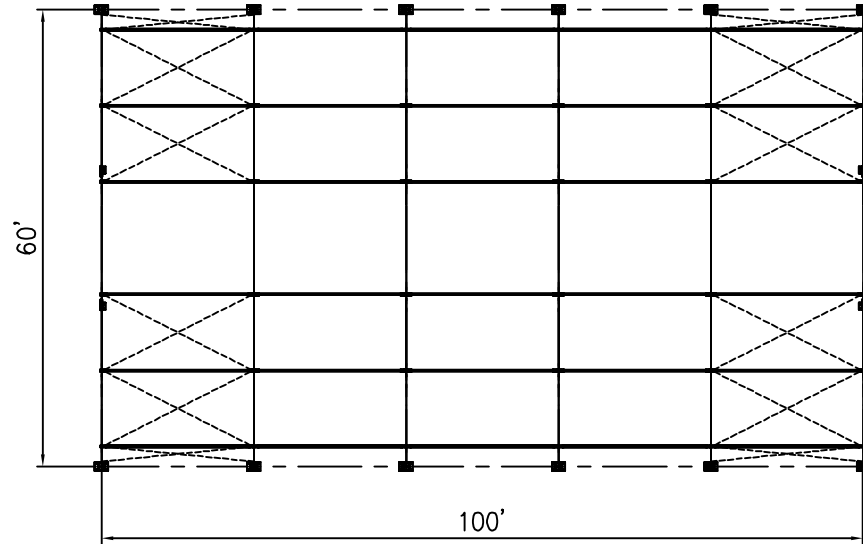
ISOMETRIC ELEVATION



SIDE ELEVATION



FRONT ELEVATION



PLAN ELEVATION



480 ALASKA AVE. TORRANCE, CA. 90503
(800) 228-3687 - FAX (310) 381-0722

STANDARD

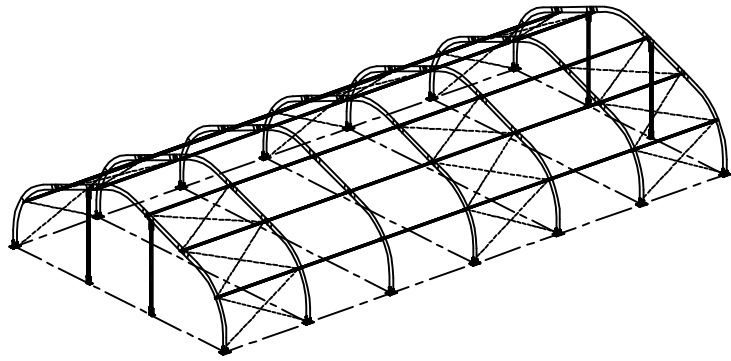
MAXI BEAM STRUCTURE / STANDARD
60'W x 100'L x 20' BAYS

REV	0
DRAWING NUMBER	MAXI
SIZE	AZ-60x100x20-MAXI
CODE	
PART DESCRIPTION	

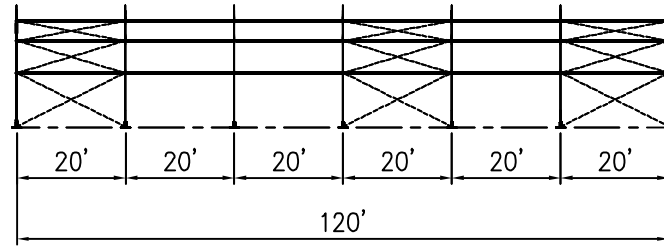
ENGINEER	CM
DRAWN	KT
DATE	04/13/06
CHECKED	-

ALL DATA AND INFORMATION CONTAINED IN OR DISCLOSED BY THIS DOCUMENT IS CONFIDENTIAL AND PROPRIETARY INFORMATION OF AZTEC TENTS AND ALL RIGHTS THEREIN ARE RESERVED BY AZTEC TENTS. THE RECIPIENT AGREES THAT THIS MATERIAL AND INFORMATION CONTAINED HEREIN IS HELD IN CONFIDENCE AND IN TRUST AND WILL NOT BE COPIED, REPRODUCED WHOLE OR IN PART, NOR ITS CONTENTS REVEALED IN ANY MANNER TO OTHERS, WITHOUT THE WRITTEN CONSENT OF AZTEC TENTS. THIS AGREEMENT IS MADE TO MEET THE SPECIFIC PURPOSE FOR WHICH IT WAS DELIVERED.

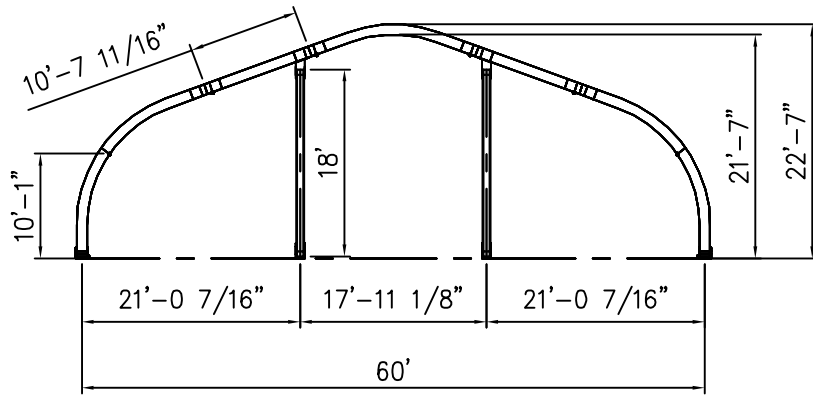
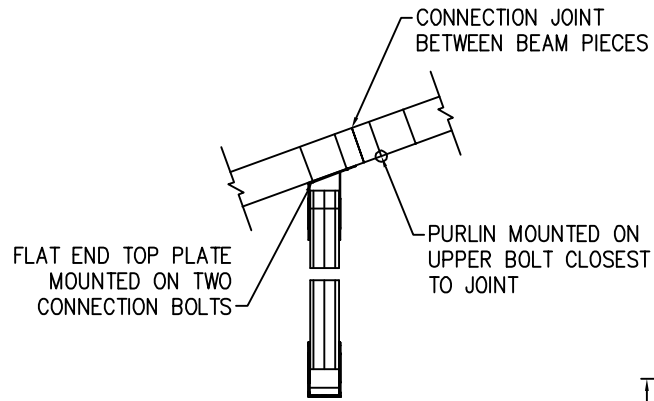
PROJECT	MX\BUILDING\60-W\60x100x20
CHECKED	041306 1705



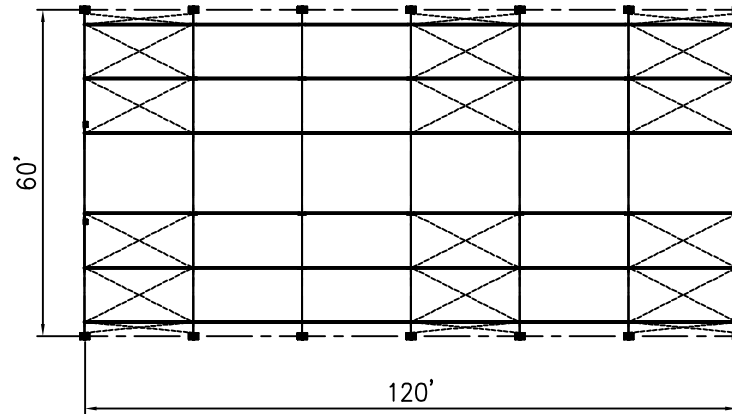
ISOMETRIC ELEVATION



SIDE ELEVATION



FRONT ELEVATION



PLAN ELEVATION



2685 COLUMBIA ST. TORRANCE, CA. 90503
(800) 228-3687 - FAX (310) 361-0722

STANDARD

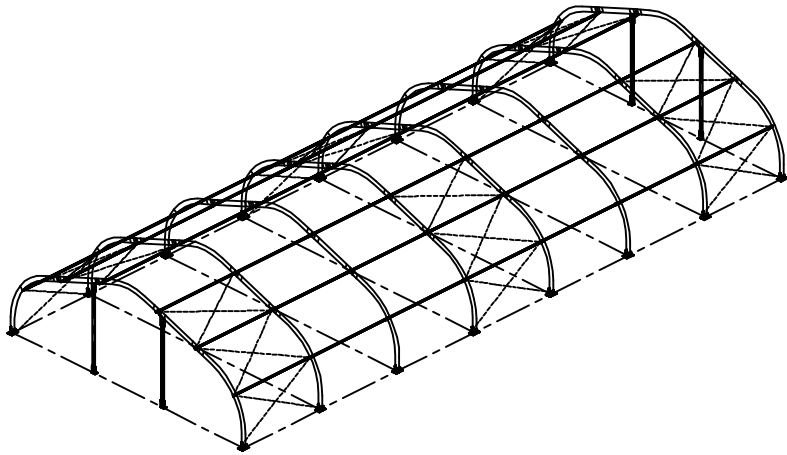
MAXI BEAM STRUCTURE / STANDARD
60' W x 120' L x 20' BAYS

REV	
SIZE	
DRAWING NUMBER	
PART DESCRIPTION	MAXI
CODE	AZ-60x120x20-MAXI

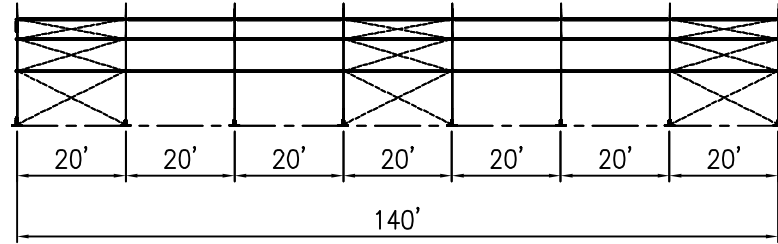
ALL DATA AND INFORMATION CONTAINED IN OR DISCLOSED BY THIS DOCUMENT IS CONFIDENTIAL AND PROPRIETARY INFORMATION OF AZTEC TENTS AND ALL RIGHTS THEREIN ARE RESERVED. NO PART OF THIS DOCUMENT OR INFORMATION CONTAINED HEREIN IS TO BE REPRODUCED OR TRANSMITTED IN ANY FORM OR BY ANY MEANS, ELECTRONIC OR MECHANICAL, INCLUDING PHOTOCOPYING, RECORDING, OR BY ANY INFORMATION STORAGE AND RETRIEVAL SYSTEM. THE RECIPIENT AGREES TO HOLD THIS CONFIDENTIAL AND PROPRIETARY INFORMATION IN STRICT CONFIDENCE AND IN TRUST AND WILL NOT BE COPIED, REPRODUCED WHOLE OR IN PART, NOR ITS CONTENTS REVEALED IN ANY MANNER TO OTHERS, WITHOUT THE WRITTEN CONSENT OF AZTEC TENTS. ACCEPT TO MEET THE SPECIFIC PURPOSE FOR WHICH IT WAS DELIVERED.

ENGINEER CM
DRAWN KT
DATE 04/13/06

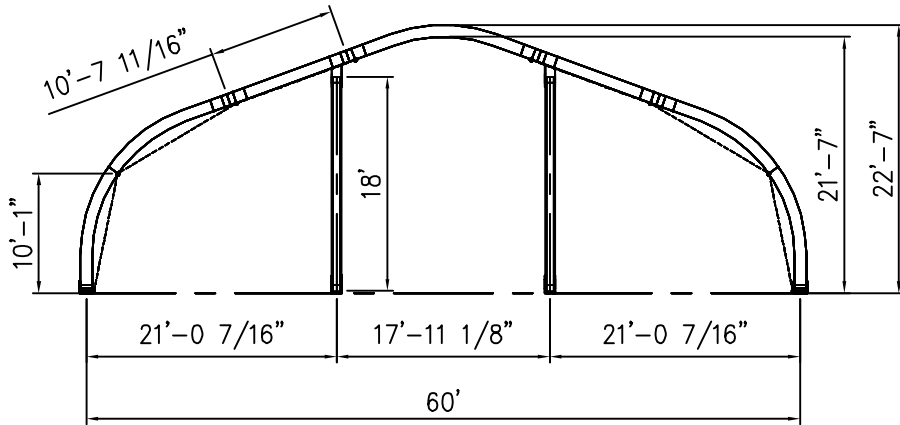
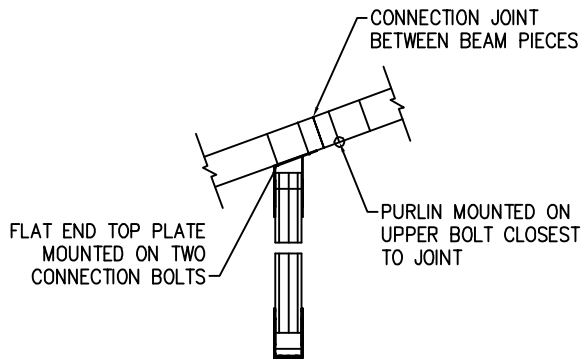
CHECKED -
041306 1725
MX\BUILDING\60-W\60x120x20



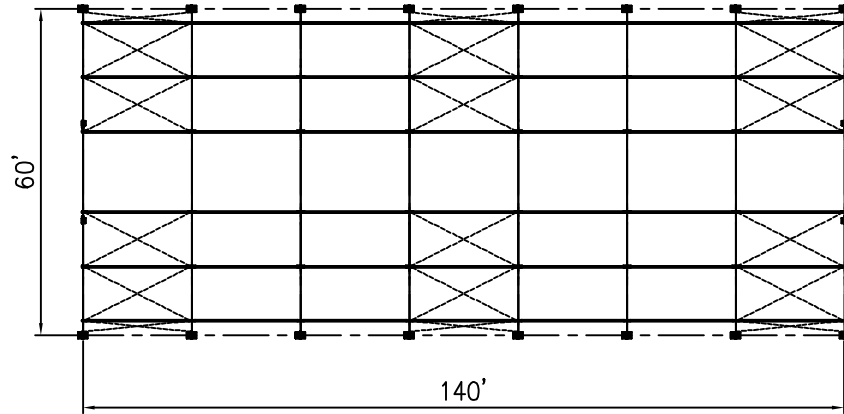
ISOMETRIC ELEVATION



SIDE ELEVATION



FRONT ELEVATION



PLAN ELEVATION



480 ALASKA AVE. TORRANCE, CA. 90503
(800) 228-3687 - FAX (310) 381-0722

ENGINEER CM
DRAWN KT
DATE 04/13/06

ALL DATA AND INFORMATION CONTAINED IN OR DISCLOSED BY THIS DOCUMENT IS CONFIDENTIAL AND PROPRIETARY INFORMATION OF AZTEC TENTS AND ALL RIGHTS THEREIN ARE RESERVED. THE RECIPIENT AGREES THAT THIS MATERIAL AND INFORMATION CONTAINED HEREIN IS HELD IN CONFIDENCE AND IN TRUST AND WILL NOT BE COPIED, REPRODUCED WHOLE OR IN PART, NOR ITS CONTENTS REVEALED IN ANY MANNER TO OTHERS, WITHOUT THE WRITTEN CONSENT OF AZTEC TENTS TO MEET THE SPECIFIC PURPOSE FOR WHICH IT WAS DELIVERED.

CHECKED -
041306 1730
MX\BUILDING\60-W\60x140x20

STANDARD

MAXI BEAM STRUCTURE / STANDARD
60'W x 140'L x 20' BAYS

REV	0
DRAWING NUMBER	AZ-60x140x20-MAXI
CODE	MAXI
PART DESCRIPTION	MAXI