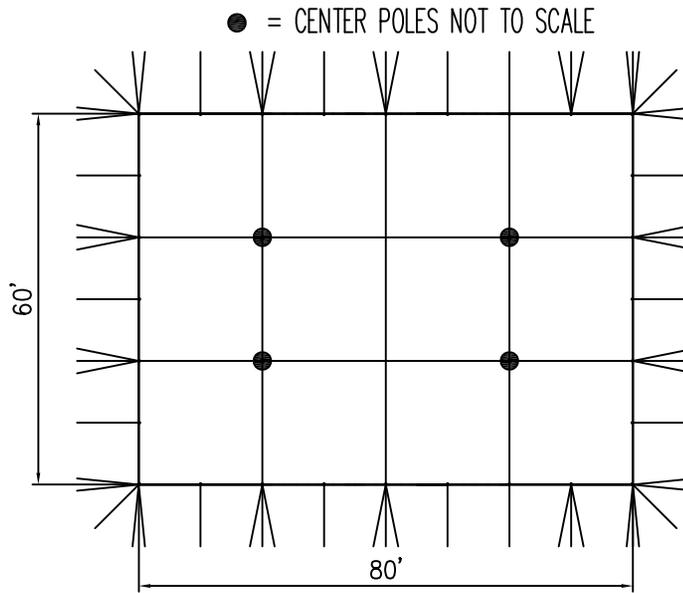
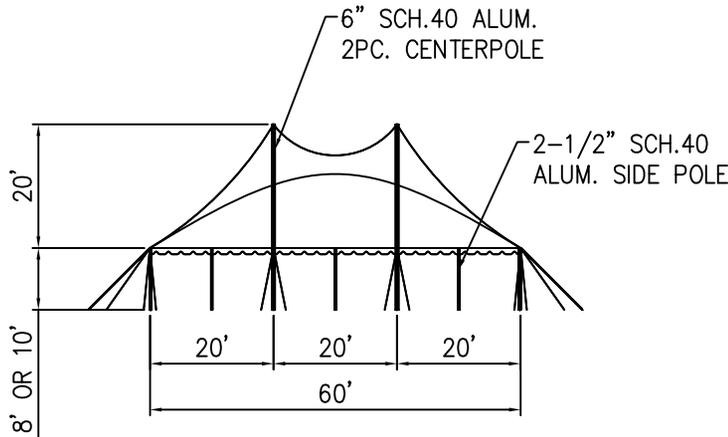


ISOMETRIC VIEW

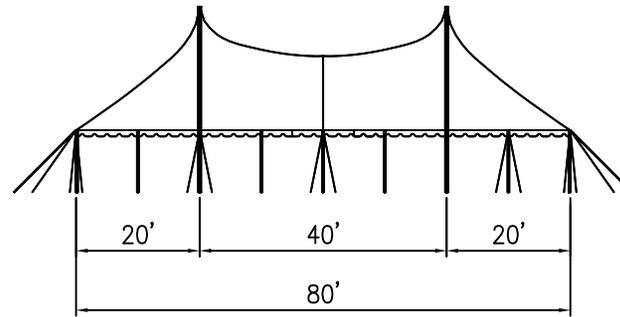


PLAN VIEW

SERIES 2000 POLE TENT 60' x 80'



FRONT VIEW



SIDE VIEW

ALL DATA AND INFORMATION CONTAINED IN OR DISCLOSED BY THIS DOCUMENT IS CONFIDENTIAL AND PROPRIETARY INFORMATION OF AZTEC TENTS AND ALL RIGHTS THEREIN ARE EXPRESSLY RESERVED. BY ACCEPTING THIS MATERIAL THE RECIPIENT AGREES THAT THIS MATERIAL AND INFORMATION CONTAINED THEREIN IS HELD IN CONFIDENCE AND IN TRUST AND WILL NOT BE COPIED, REPRODUCED WHOLE OR IN PART, NOR ITS CONTENTS REVEALED IN ANY MANNER TO OTHERS, EXCEPT TO MEET THE SPECIFIC PURPOSE FOR WHICH IT WAS DELIVERED.

**AZTEC TENTS**  
 DESIGN & PRODUCTION  
 2665 COLUMBIA ST. TORRANCE, CA. 90503  
 (800) 228-3687 - FAX (310) 381-0722

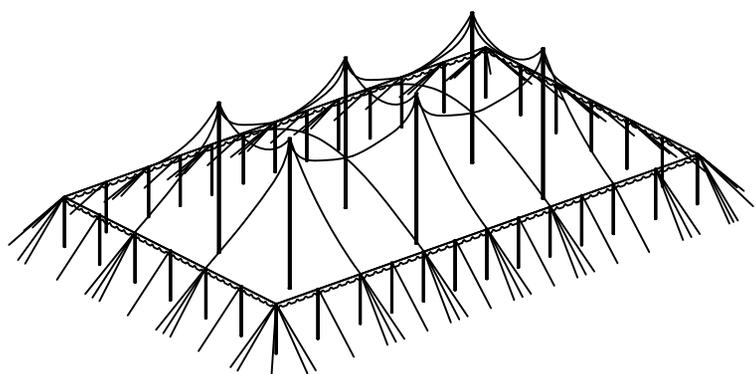
**SERIES 2000/ POLETENT**  
 60'W X 80'L  
 PART NUMBER: ZXXXXXXX

REVISION HISTORY			
REV.	DESCRIPTION	BY:	DATE:

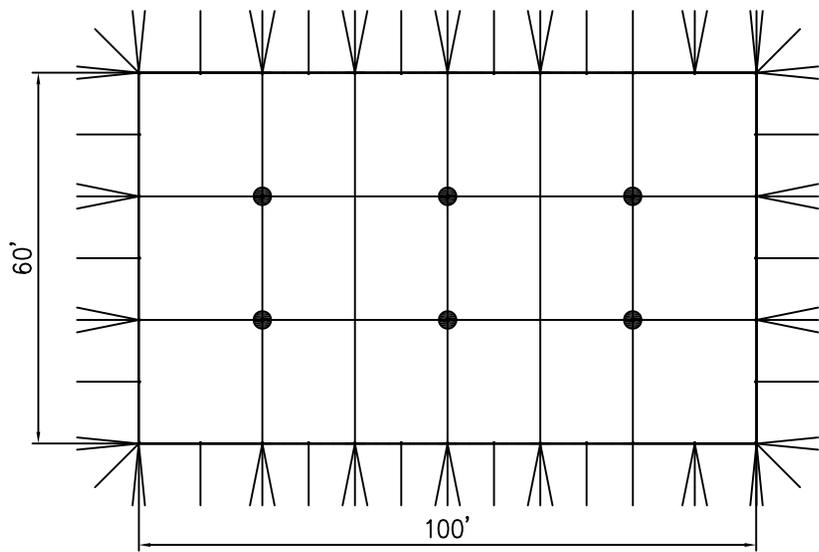
**PROPRIETARY**

ENGINEER:	N/A	DATE:	3/2/2021
PAGE:	1 OF 1	DRAWN:	LYZ

● - CENTER POLES NOT TO SCALE

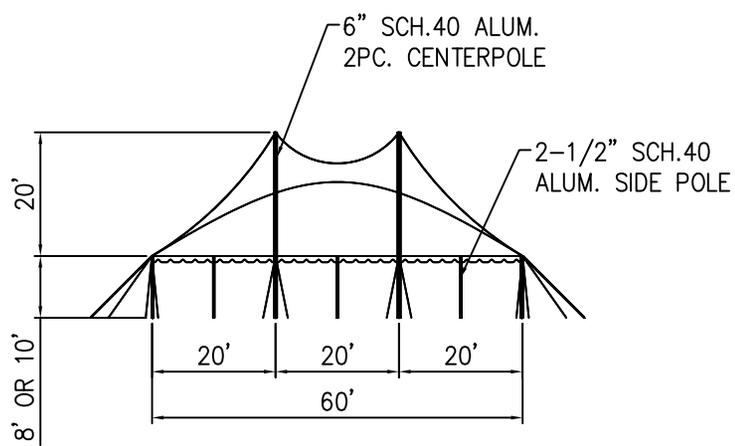


ISOMETRIC VIEW

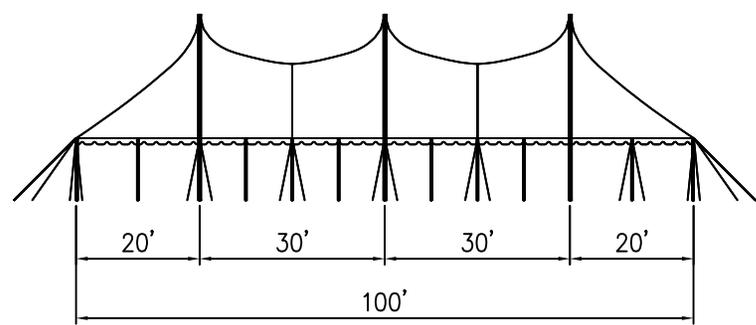


PLAN VIEW

SERIES 2000 POLE TENT 60' x 100'



FRONT VIEW



SIDE VIEW

ALL DATA AND INFORMATION CONTAINED IN OR DISCLOSED BY THIS DOCUMENT IS CONFIDENTIAL AND PROPRIETARY INFORMATION OF AZTEC TENTS AND ALL RIGHTS THEREIN ARE EXPRESSLY RESERVED. BY ACCEPTING THIS MATERIAL THE RECIPIENT AGREES THAT THIS MATERIAL AND INFORMATION CONTAINED THEREIN IS HELD IN CONFIDENCE AND IN TRUST AND WILL NOT BE COPIED, REPRODUCED WHOLE OR IN PART, NOR ITS CONTENTS REVEALED IN ANY MANNER TO OTHERS, EXCEPT TO MEET THE SPECIFIC PURPOSE FOR WHICH IT WAS DELIVERED.

**AZTEC TENTS**  
 DESIGN & PRODUCTION  
 2665 COLUMBIA ST. TORRANCE, CA. 90503  
 (800) 228-3687 - FAX (310) 381-0722

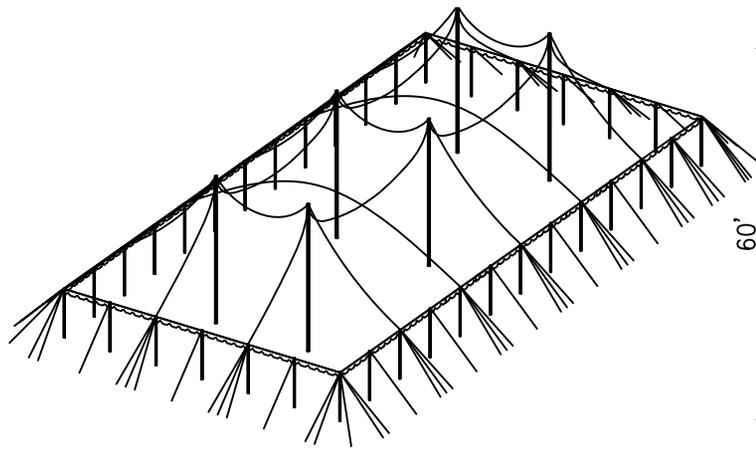
SERIES 2000/ POLE TENT  
 60' W X 100' L  
 PART NUMBER: ZXXXXXXX

REVISION HISTORY			
REV.	DESCRIPTION	BY:	DATE:

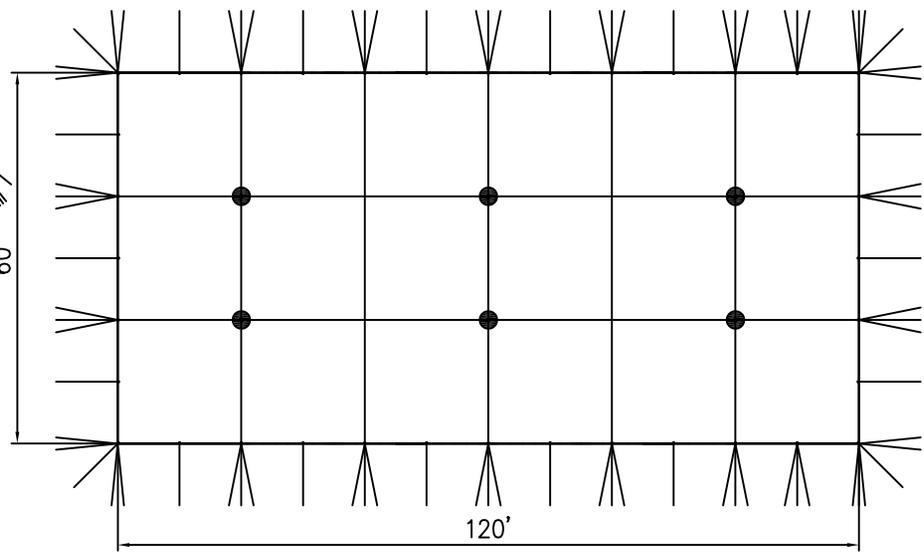
**PROPRIETARY**

ENGINEER:	N/A	DATE:	3/2/2021
PAGE:	1 OF 1	DRAWN:	LYZ

● = CENTER POLES NOT TO SCALE

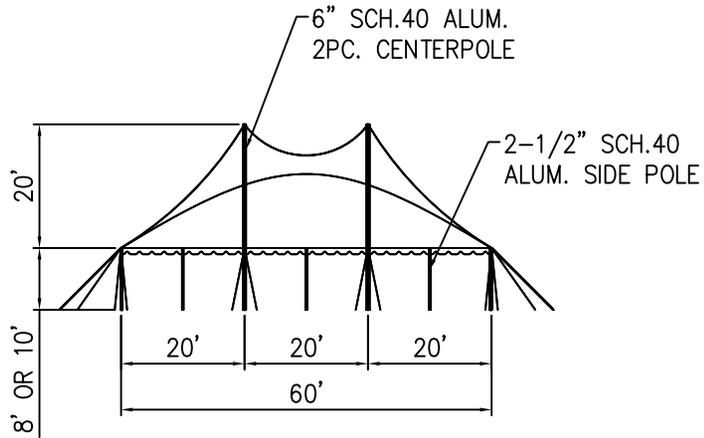


ISOMETRIC VIEW

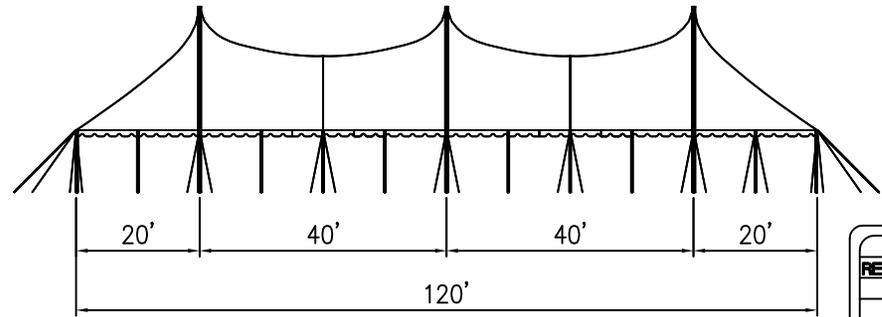


PLAN VIEW

SERIES 2000 POLE TENT 60' x 120'



FRONT VIEW



SIDE VIEW

ALL DATA AND INFORMATION CONTAINED IN OR DISCLOSED BY THIS DOCUMENT IS CONFIDENTIAL AND PROPRIETARY INFORMATION OF AZTEC TENTS AND ALL RIGHTS THEREIN ARE EXPRESSLY RESERVED. BY ACCEPTING THIS MATERIAL THE RECIPIENT AGREES THAT THIS MATERIAL AND INFORMATION CONTAINED THEREIN IS HELD IN CONFIDENCE AND IN TRUST AND WILL NOT BE COPIED, REPRODUCED WHOLE OR IN PART, NOR ITS CONTENTS REVEALED IN ANY MANNER TO OTHERS, EXCEPT TO MEET THE SPECIFIC PURPOSE FOR WHICH IT WAS DELIVERED.

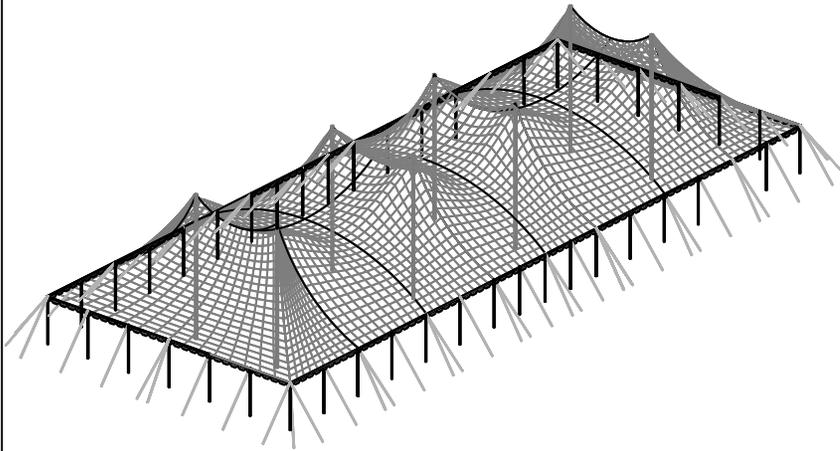
**AZTEC TENTS**  
 DESIGN & PRODUCTION  
 2665 COLUMBIA ST. TORRANCE, CA. 90503  
 (800) 228-3687 - FAX (310) 381-0722

**SERIES 2000/ POLETENT**  
 60'W X 120'L  
 PART NUMBER: ZXXXXXXX

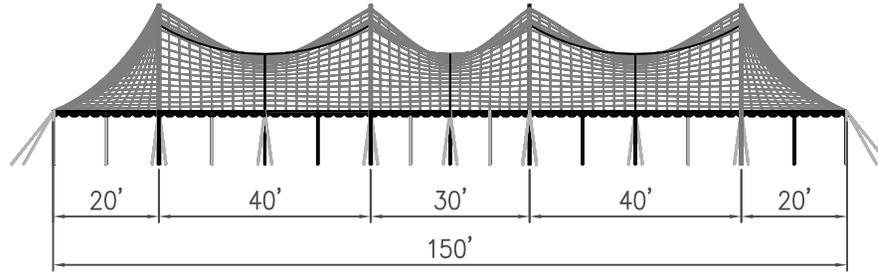
REVISION HISTORY			
REV.	DESCRIPTION	BY:	DATE:

**PROPRIETARY**

ENGINEER:	N/A	DATE:	3/2/2021
PAGE:	1 OF 1	DRAWN:	LYZ



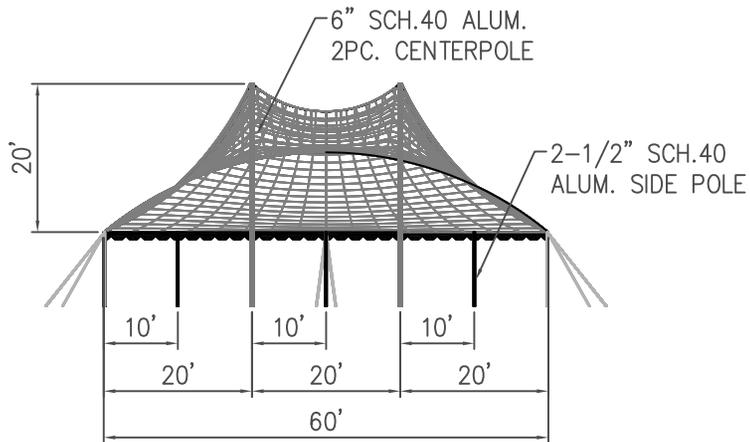
ISOMETRIC VIEW



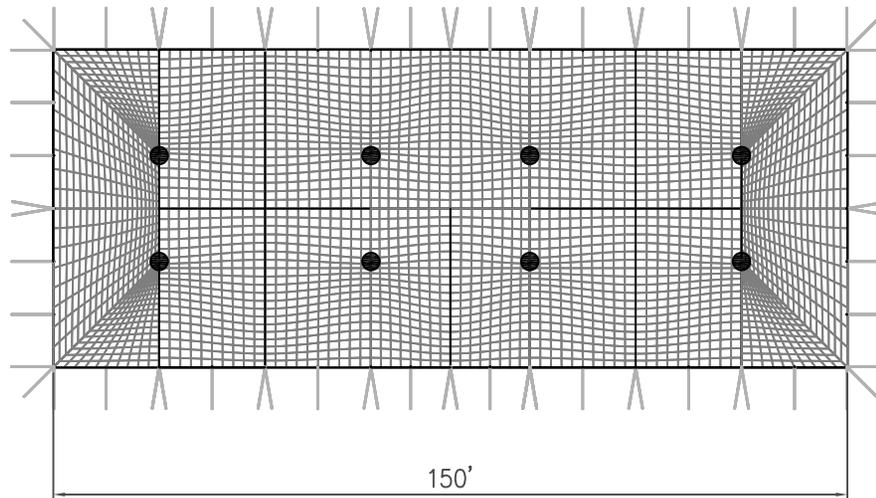
SIDE VIEW

SERIES 2000 TENT 60'W X 150'L 30'/40' MIDDLE

● = CENTER POLES NOT TO SCALE



FRONT VIEW



PLAN VIEW

ALL DATA AND INFORMATION CONTAINED IN OR DISCLOSED BY THIS DOCUMENT IS CONFIDENTIAL AND PROPRIETARY INFORMATION OF AZTEC TENTS AND ALL RIGHTS THEREIN ARE EXPRESSLY RESERVED. BY ACCEPTING THIS MATERIAL THE RECIPIENT AGREES THAT THIS MATERIAL AND INFORMATION CONTAINED THEREIN IS HELD IN CONFIDENCE AND IN TRUST AND WILL NOT BE COPIED, REPRODUCED WHOLE OR IN PART, NOR ITS CONTENTS REVEALED IN ANY MANNER TO OTHERS, EXCEPT TO MEET THE SPECIFIC PURPOSE FOR WHICH IT WAS DELIVERED.

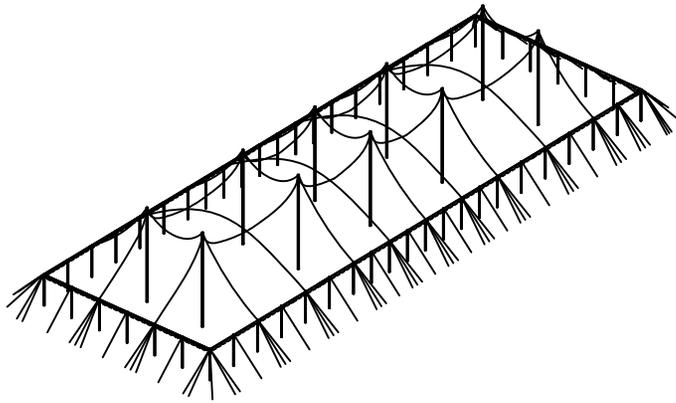
**AZTEC TENTS**  
 DESIGN & PRODUCTION  
 2665 COLUMBIA ST. TORRANCE, CA. 90503  
 (800) 228-3687 - FAX (310) 381-0722

**SERIES 2000/ POLETENT**  
 60'W X 150'L X 30' / 40' MIDS  
 PART NUMBER: ZXXXXXX

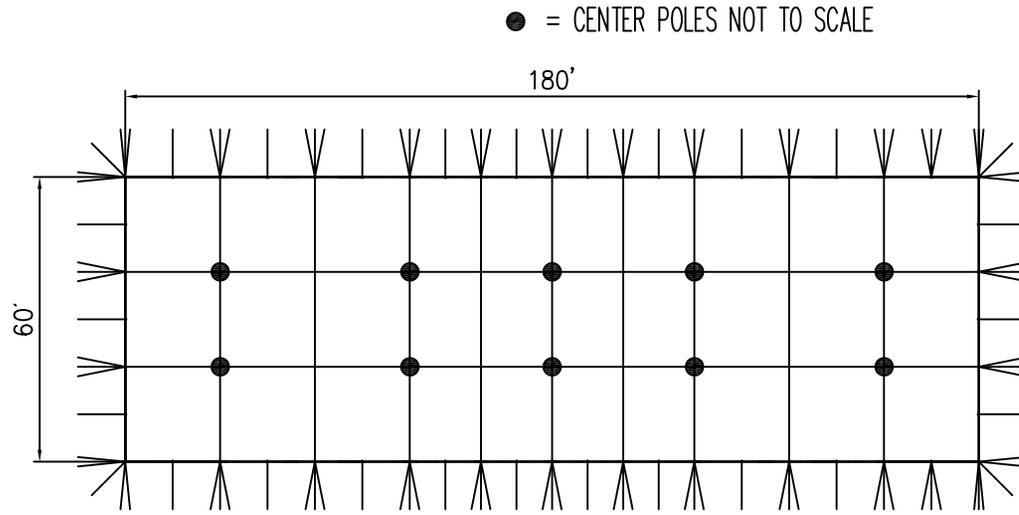
REVISION HISTORY			
REV.	DESCRIPTION	BY:	DATE:

**CONFIDENTIAL**

ENGINEER:	N/A	DATE:	3/23/2017
PAGE:	1 OF 1	DRAWN:	LYZ

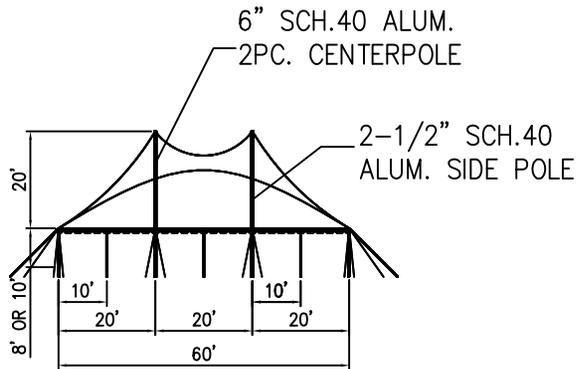


ISOMETRIC VIEW

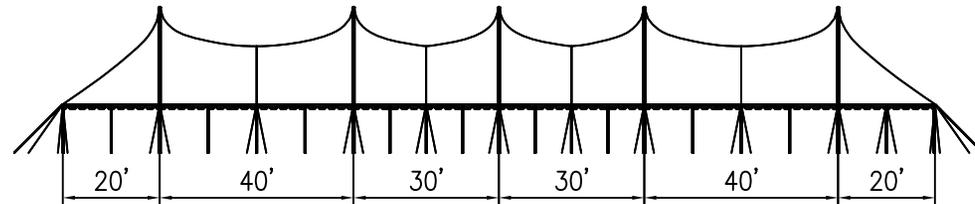


PLAN VIEW

SERIES 2000 TENT 60'W X 80'L X 8'LEG



FRONT VIEW



SIDE VIEW

ALL DATA AND INFORMATION CONTAINED IN OR DISCLOSED BY THIS DOCUMENT IS CONFIDENTIAL AND PROPRIETARY INFORMATION OF AZTEC TENTS AND ALL RIGHTS THEREIN ARE EXPRESSLY RESERVED. BY ACCEPTING THIS MATERIAL THE RECIPIENT AGREES THAT THIS MATERIAL AND INFORMATION CONTAINED THEREIN IS HELD IN CONFIDENCE AND IN TRUST AND WILL NOT BE COPIED, REPRODUCED WHOLE OR IN PART, NOR ITS CONTENTS REVEALED IN ANY MANNER TO OTHERS, EXCEPT TO MEET THE SPECIFIC PURPOSE FOR WHICH IT WAS DELIVERED.

**AZTEC TENTS**  
 DESIGN & PRODUCTION  
 2665 COLUMBIA ST. TORRANCE, CA. 90503  
 (800) 228-3687 - FAX (310) 381-0722

**SERIES 2000/ POLETENT**  
 60'W X 180'L X 8'LEGS  
 PART NUMBER: ZXXXXXX

REVISION HISTORY			
REV.	DESCRIPTION	BY:	DATE:

**PROPRIETARY**

ENGINEER: N/A	DATE: 9/27/2011
PAGE: 1 OF 1	DRAWN: ELVIS