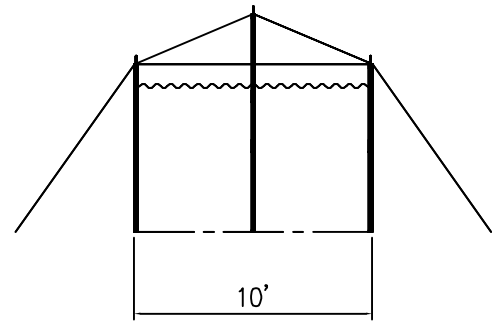


ISOMETRIC VIEW

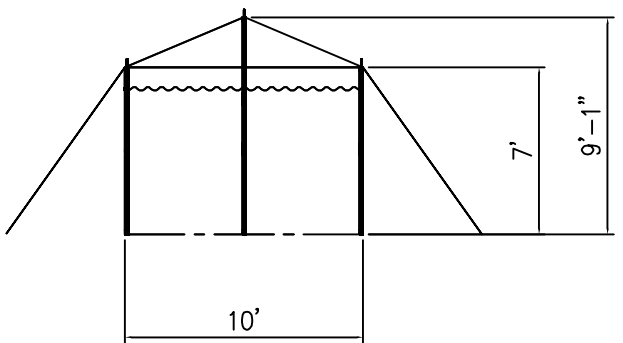


SIDE VIEW

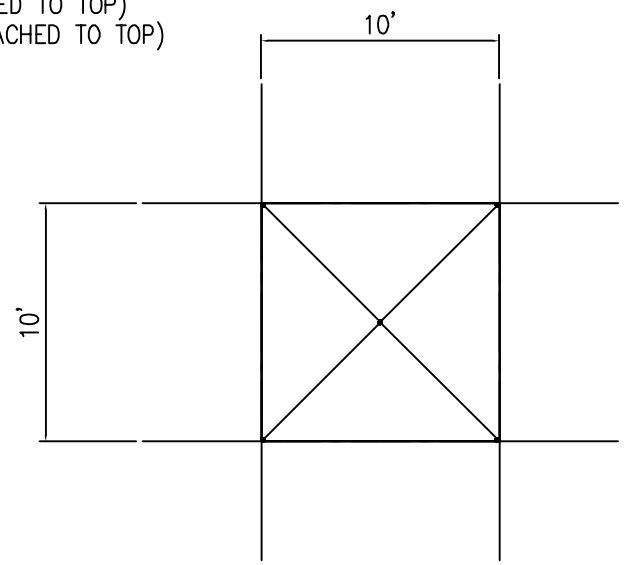
10x10x7 ATC CANOPY

PACKING LIST:

- (4) LEG ASSEMBLY (PIECE G & PIECE J)
- (1) 9'-1" CENTER POLE (PIECE G, PIECE H, PIECE J)
- (1) 10'x10' TOP
- (8) 15" METAL STAKE
- (8) ROPE SLIDER
- (8) 1/4" x 12'-0" GUY ROPE (ATTACHED TO TOP)
- (1) 1/4" x 15'-0" JUMPER ROPE (ATTACHED TO TOP)



END VIEW



PLAN VIEW



480 ALASKA AVE. TORRANCE, CA. 90503
(800) 228-3687 - FAX (310) 381-0722

STANDARD

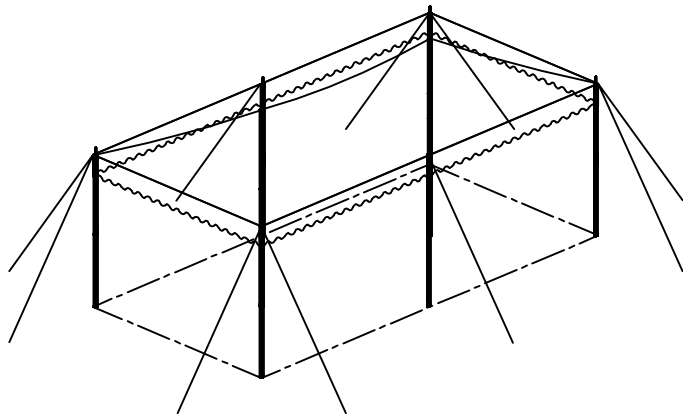
ATC CANOPY / STANDARD
10'W x 10'L x 7' LEGS

PART DESCRIPTION	CODE	SIZE	DRAWING NUMBER	REV
	AZ-10107-		ATC CANOPY	0

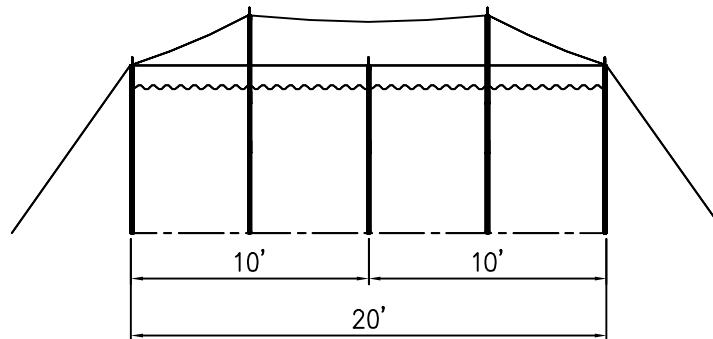
ENGINEER	CM	DRAWN	KT	DATE	12/29/04
CHECKED	-				

ALL DATA AND INFORMATION CONTAINED IN OR DISCLOSED BY THIS DOCUMENT IS CONFIDENTIAL AND PROPRIETARY INFORMATION OF AZTEC TENTS AND ALL RIGHTS THEREIN ARE RESERVED. THE RECIPIENT AGREES THAT THIS MATERIAL AND INFORMATION CONTAINED THEREIN IS HELD IN CONFIDENCE AND IN TRUST AND WILL NOT BE COPIED, REPRODUCED WHOLE OR IN PART, NOR ITS CONTENTS REVEALED IN ANY MANNER TO OTHERS, WITHOUT THE WRITTEN CONSENT OF AZTEC TENTS, TO MEET THE SPECIFIC PURPOSE FOR WHICH IT WAS DELIVERED.

POLENTENT\ATC CANOPY\10x10x10x7 062706 1000



ISOMETRIC VIEW

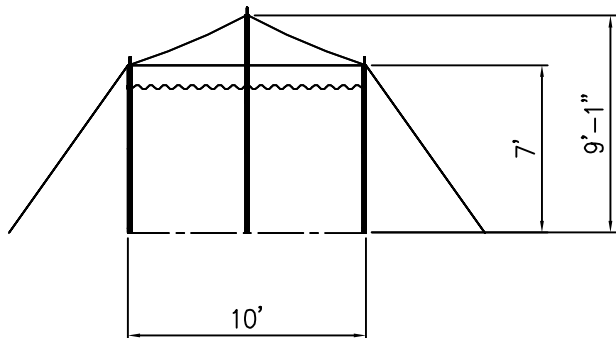


SIDE VIEW

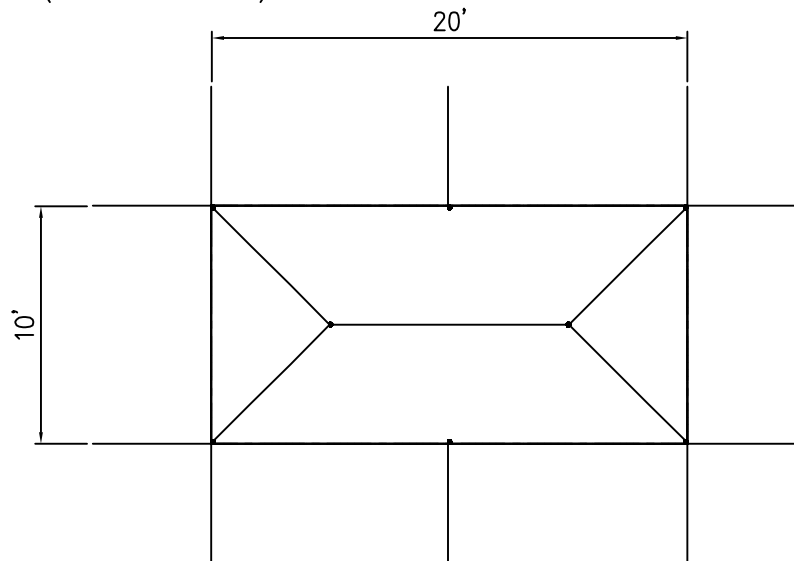
10x20x7 ATC CANOPY

PACKING LIST:

- (6) LEG ASSEMBLY (PIECE G & PIECE J)
- (2) 9'-1" CENTER POLE (PIECE G, PIECE H, PIECE J)
- (1) 10'x20' TOP
- (10) 15" METAL STAKE
- (10) ROPE SLIDER
- (10) 1/4" x 12'-0" GUY ROPE (ATTACHED TO TOP)
- (2) 1/4" x 15'-0" JUMPER ROPE (ATTACHED TO TOP)

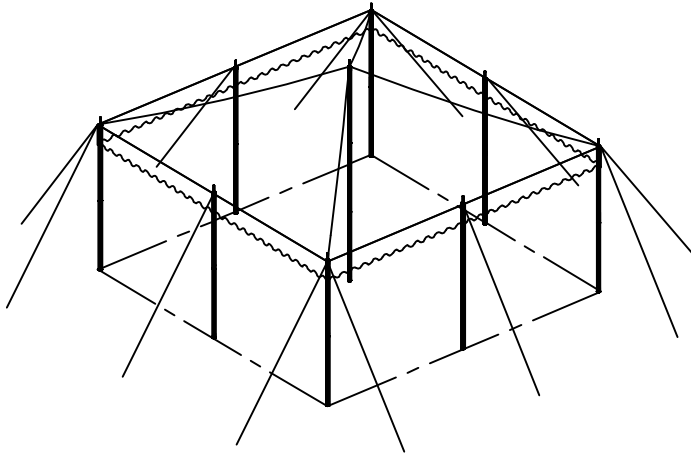


END VIEW

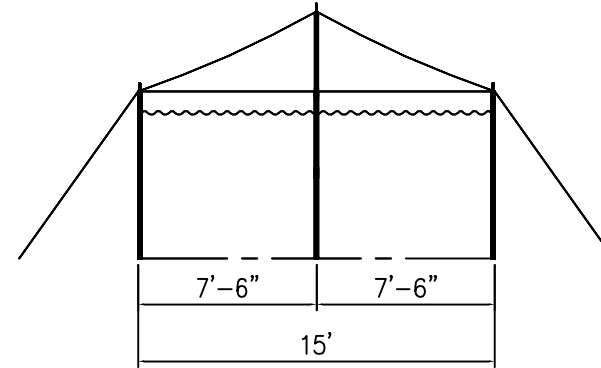


PLAN VIEW

STANDARD		ATC CANOPY / STANDARD 10' W x 20' L x 7' LEGS		DRAWING NUMBER AZ-10207-ATC CANOPY	REV 1
AZTEC 490 ALASKA AVE. TORRANCE, CA. 90503 (800) 228-3687 - FAX (310) 381-0722		ENGINEER CM	DRAWN KT	DATE 05/16/06	
<small>ALL DATA AND INFORMATION CONTAINED IN OR DISCLOSED BY THIS DOCUMENT IS CONFIDENTIAL AND PROPRIETARY INFORMATION OF AZTEC TENTS AND ALL RIGHTS THEREIN ARE RESERVED BY AZTEC TENTS. THE RECIPIENT AGREES THAT THIS MATERIAL AND INFORMATION CONTAINED THEREIN IS HELD IN CONFIDENCE AND IN TRUST AND WILL NOT BE COPIED, REPRODUCED WHOLE OR IN PART, NOR ITS CONTENTS REVEALED IN ANY MANNER TO OTHERS, WITHOUT THE WRITTEN CONSENT OF AZTEC TENTS. THIS AGREEMENT TO MEET THE SPECIFIC PURPOSE FOR WHICH IT WAS DELIVERED.</small>					
POLE TENT \ATC CANOPY\10x\10x20x7		1200	062706	1200	



ISOMETRIC VIEW

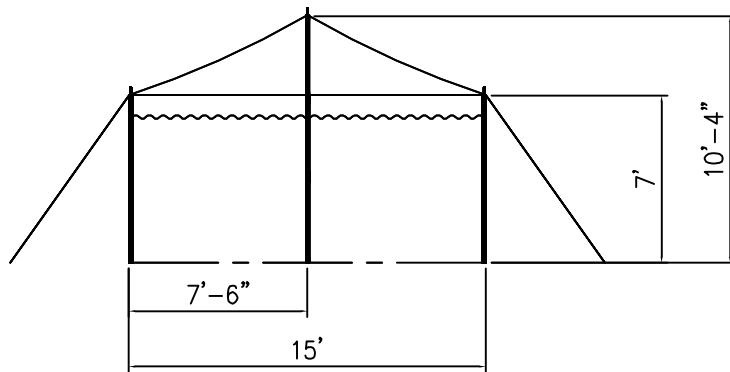


SIDE VIEW

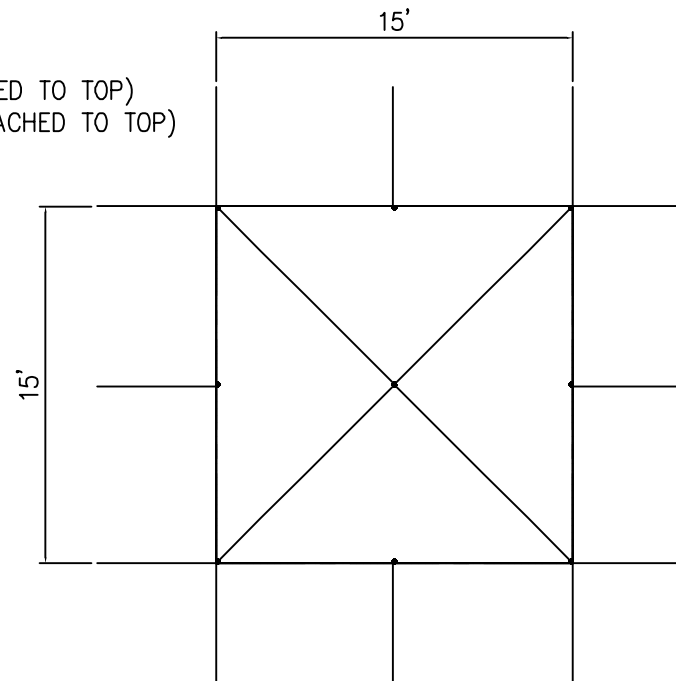
15x15x7 PARTY TENT

PACKING LIST:


- (8) LEG ASSEMBLY (PIECE G & PIECE J)
- (1) 10'-4" CENTER POLE (PIECE G, PIECE I, PIECE J)
- (1) 15'x15' TOP
- (12) 15" METAL STAKE
- (12) ROPE SLIDER
- (12) 1/4" x 12'-0" GUY ROPE (ATTACHED TO TOP)
- (1) 1/4" x 15'-0" JUMPER ROPE (ATTACHED TO TOP)

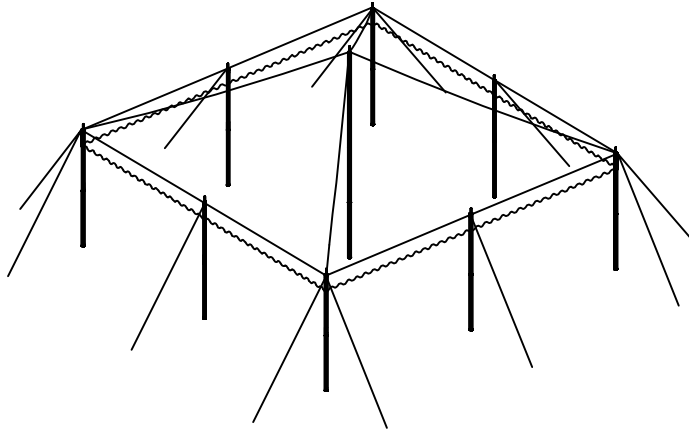


END VIEW

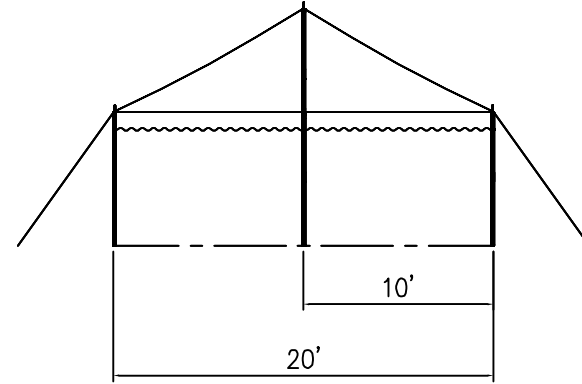


PLAN VIEW

 <p>480 ALASKA AVE. TORRANCE, CA. 90503 (800) 228-3687 - FAX (310) 381-0722</p>		<p>ENGINEER: CM DRAWN: KT DATE: 05/16/06</p>	<p>STANDARD</p>
<p>POLE TENT CANOPY \15x\15x15x7.dwg 6/28/2006 9:59:28 AM, pdfFactory.pc3</p>		<p>ATC CANOPY / STANDARD 15' W x 15' L x 7' LEGS</p>	<p>ATC CANOPY</p>
<p>ALL DATA AND INFORMATION CONTAINED IN OR DISCLOSED BY THIS DOCUMENT IS CONFIDENTIAL AND PROPRIETARY INFORMATION OF AZTEC TENTS AND ALL RIGHTS THEREIN ARE RESERVED BY AZTEC TENTS. THE RECIPIENT AGREES THAT THIS MATERIAL AND INFORMATION CONTAINED HEREIN IS HELD IN CONFIDENCE AND IN TRUST AND WILL NOT BE COPIED, REPRODUCED WHOLE OR IN PART, NOR ITS CONTENTS REVEALED IN ANY MANNER TO OTHERS, WITHOUT THE WRITTEN CONSENT OF AZTEC TENTS. THIS AGREEMENT TO MEET THE SPECIFIC PURPOSE FOR WHICH IT WAS DELIVERED.</p>		<p>ENGINEER: CM DRAWN: KT DATE: 05/16/06</p>	<p>ATC CANOPY</p>
<p>1000</p>		<p>062806</p>	<p>1</p>



ISOMETRIC VIEW

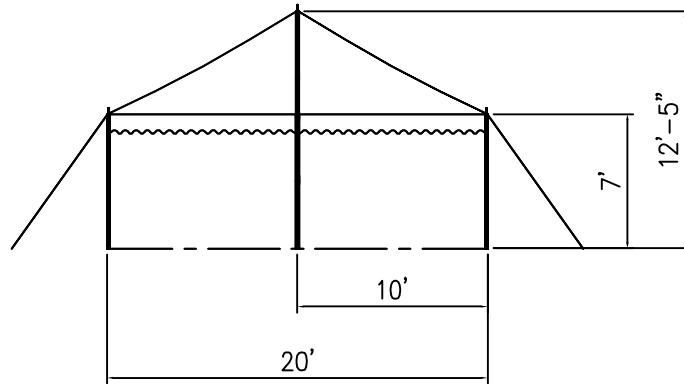


SIDE VIEW

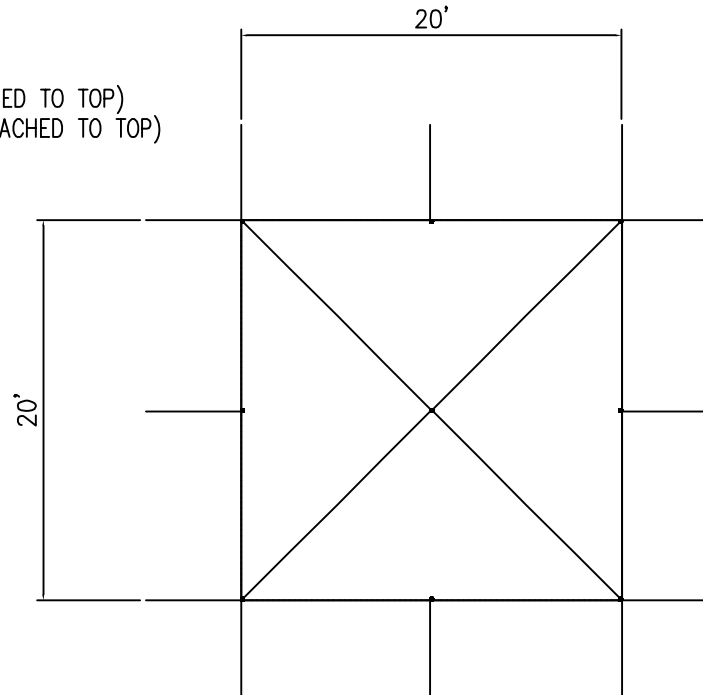
20x20x7 PARTY TENT

PACKING LIST:

- (8) LEG ASSEMBLY (PIECE G & PIECE J)
- (1) 12'-5" CENTER POLE (PIECE G, PIECE H, PIECE I, PIECE J)
- (1) 20'x20' TOP
- (12) 15" METAL STAKE
- (12) ROPE SLIDER
- (12) 1/4" x 12'-0" GUY ROPE (ATTACHED TO TOP)
- (1) 1/4" x 15'-0" JUMPER ROPE (ATTACHED TO TOP)



END VIEW



PLAN VIEW



480 ALASKA AVE. TORRANCE, CA. 90503
(800) 228-3687 - FAX (310) 381-0722

ENGINEER CM
DRAWN KT
DATE 12/29/04

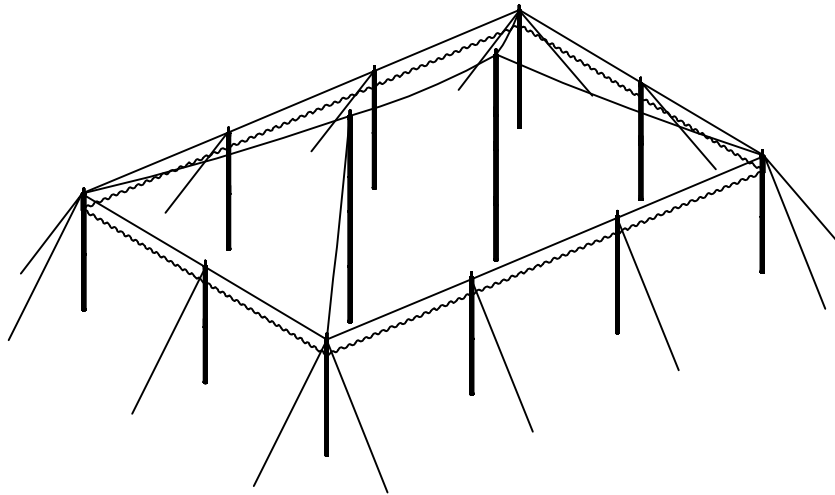
ALL DATA AND INFORMATION CONTAINED IN OR DISCLOSED BY THIS DOCUMENT IS CONFIDENTIAL AND PROPRIETARY INFORMATION OF AZTEC TENTS AND ALL RIGHTS THEREIN ARE RESERVED. THE RECIPIENT AGREES THAT THIS MATERIAL AND INFORMATION CONTAINED THEREIN IS HELD IN CONFIDENCE AND IN TRUST AND WILL NOT BE COPIED, REPRODUCED WHOLE OR IN PART, NOR ITS CONTENTS REVEALED IN ANY MANNER TO OTHERS, WITHOUT THE WRITTEN CONSENT OF AZTEC TENTS, INC. TO MEET THE SPECIFIC PURPOSE FOR WHICH IT WAS DELIVERED.

POLENTENT\ATC Canopy\20x\20x20x7 062806 1115

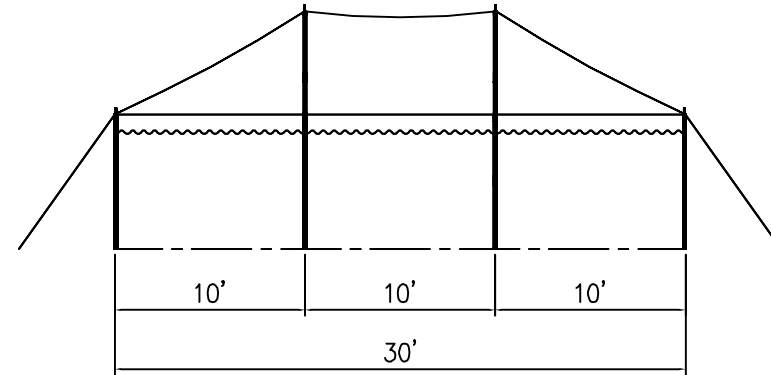
STANDARD

ATC CANOPY / STANDARD
20' W x 20' L x 7' LEGS

REC	1
DRAWING NUMBER	AZ-20207-ATC CANOPY
CODE	
SIZE	
PART DESCRIPTION	



ISOMETRIC VIEW

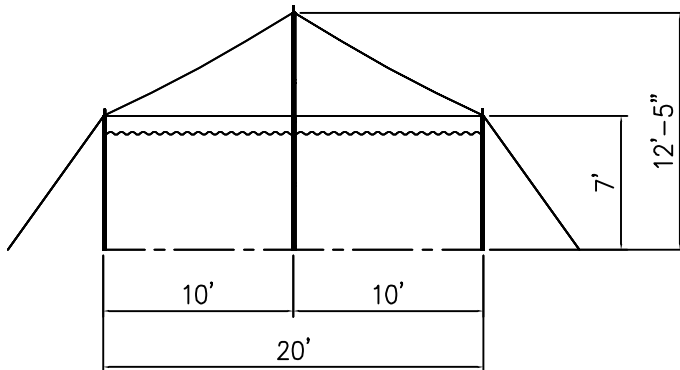


SIDE VIEW

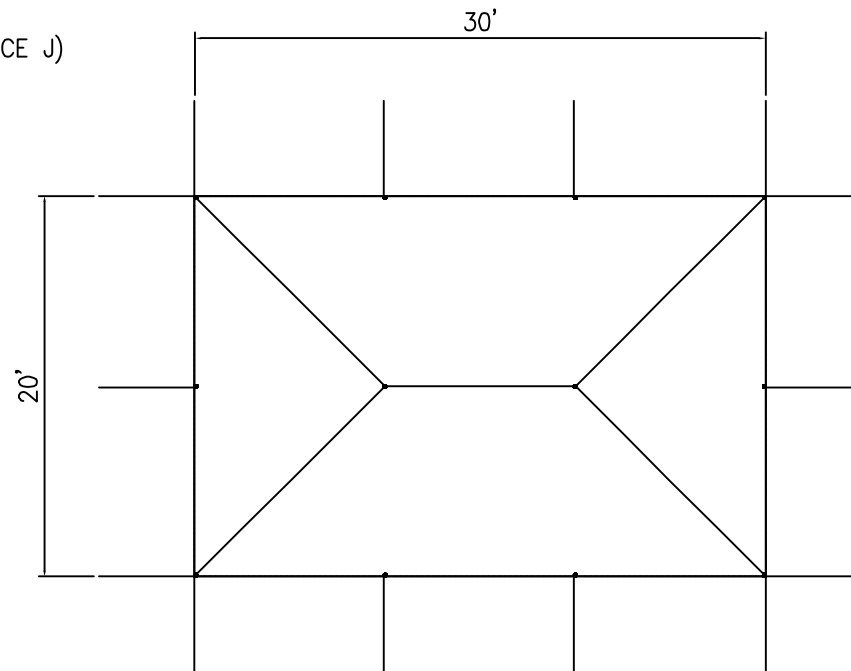
20x30x7 PARTY TENT

PACKING LIST:


- (10) LEG ASSEMBLY (PIECE G & PIECE J)
- (2) 12'-6" CENTER POLE (PIECE G, PIECE H, PIECE I, PIECE J)
- (1) 20'x30' TOP
- (14) 15" METAL STAKE
- (14) ROPE SLIDER
- (14) 1/4" x 12'-0" GUY ROPE (ATTACHED TO TOP)
- (2) 1/4" x 15'-0" JUMPER ROPE (ATTACHED TO TOP)

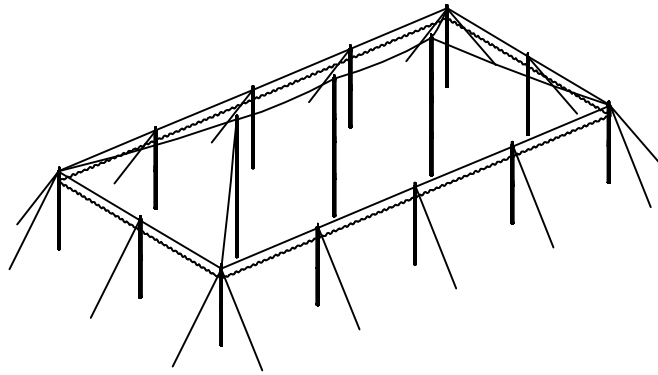


END VIEW

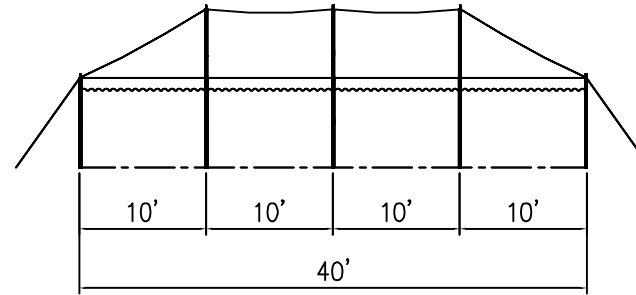


PLAN VIEW

		STANDARD	
480 ALASKA AVE. TORRANCE, CA. 90503 (800) 228-3687 - FAX (310) 381-0722		ATC CANOPY / STANDARD 20' W x 30' L x 7' LEGS	
ENGINEER	CM	DRAWN	REV
KT	-	KT	1
DATE	01/04/05	AZ-20307- ATC CANOPY	
ALL DATA AND INFORMATION CONTAINED IN OR DISCLOSED BY THIS DOCUMENT IS CONFIDENTIAL AND PROPRIETARY INFORMATION OF AZTEC TENTS AND ALL RIGHTS THEREIN ARE RESERVED BY AZTEC TENTS. THE RECIPIENT AGREES THAT THIS MATERIAL AND INFORMATION CONTAINED HEREIN IS HELD IN CONFIDENCE AND IN TRUST AND WILL NOT BE COPIED, REPRODUCED WHOLE OR IN PART, NOR ITS CONTENTS REVEALED IN ANY MANNER TO OTHERS, WITHOUT THE SPECIFIC PURPOSE FOR WHICH IT WAS DELIVERED.			
POLTEENT\ATC CANOPY\20x\20x30x7	062806	1210	1



ISOMETRIC VIEW

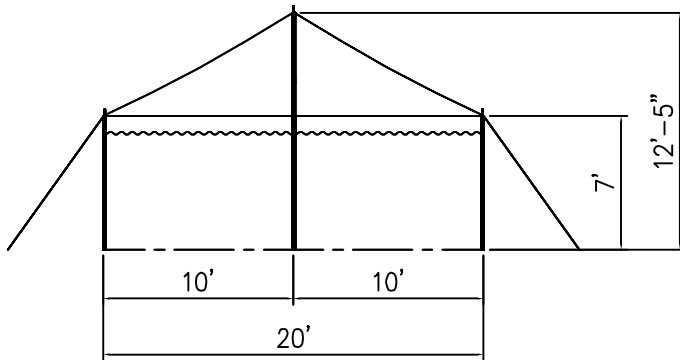


SIDE VIEW

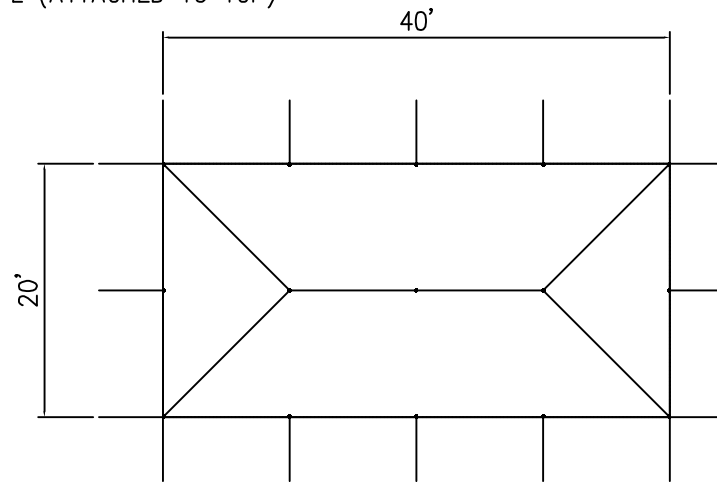
20x40x7 PARTY TENT

PACKING LIST:

- (12) LEG ASSEMBLY (PIECE G & PIECE J)
- (3) 12'-6" CENTER POLE (PIECE G, PIECE H, PIECE I, PIECE J)
- (1) 20'x40' TOP
- (16) 15" METAL STAKE
- (16) ROPE SLIDER
- (16) 1/4" x 12'-0" GUY ROPE (ATTACHED TO TOP)
- (3) 1/4" x 15'-0" JUMPER ROPE (ATTACHED TO TOP)



END VIEW



PLAN VIEW

AZTEC
 480 ALASKA AVE. TORRANCE, CA. 90503
 (800) 228-3687 - FAX (310) 381-0722

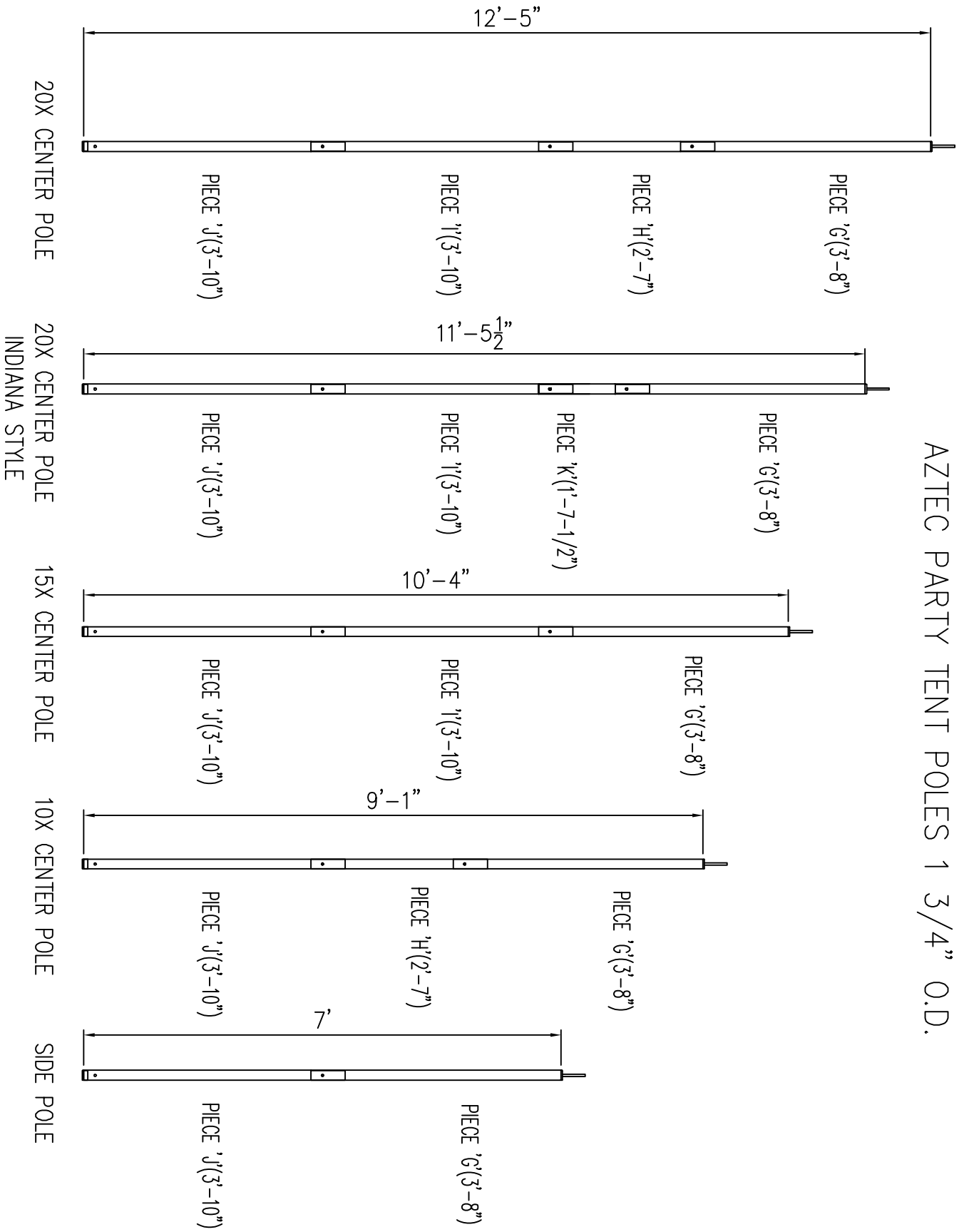
ENGINEER: CM
 DRAWN: KT
 DATE: 06/28/06

S T A N D A R D	
ATC CANOPY / STANDARD	
20' W x 40' L x 7' LEGS	
PART DESCRIPTION	DRAWING NUMBER
CODE	SIZE
AZ-20407-	ATC CANOPY
REV	0

ALL DATA AND INFORMATION CONTAINED IN OR DISCLOSED BY THIS DOCUMENT IS CONFIDENTIAL AND PROPRIETARY INFORMATION OF AZTEC TENTS AND ALL RIGHTS THEREIN ARE RESERVED BY AZTEC TENTS. THE RECIPIENT AGREES THAT THIS MATERIAL AND INFORMATION CONTAINED THEREIN IS HELD IN CONFIDENCE AND IN TRUST AND WILL NOT BE COPIED, REPRODUCED WHOLE OR IN PART, NOR ITS CONTENTS REVEALED IN ANY MANNER TO OTHERS, WITHOUT THE WRITTEN CONSENT OF AZTEC TENTS. THIS DOCUMENT IS TO MEET THE SPECIFIC PURPOSE FOR WHICH IT WAS DELIVERED.

POLENTENT\ATC CANOPY\20x\20x40x7 062806 1455

AZTEC PARTY TENT POLES 1 3/4" O.D.



* DIMENSIONS ARE NOT ACCOUNTING FOR TOP OR BOTTOM CAP

ALL DATA AND INFORMATION CONTAINED IN OR DISCLOSED BY THIS DOCUMENT IS CONFIDENTIAL AND PROPRIETARY INFORMATION OF AZTEC TENTS AND ALL RIGHTS THEREIN ARE EXPRESSLY RESERVED. BY ACCEPTING THIS MATERIAL THE RECIPIENT AGREES THAT THIS MATERIAL AND INFORMATION CONTAINED THEREIN IS HELD IN CONFIDENCE AND IN TRUST AND WILL NOT BE COPIED, REPRODUCED WHOLE OR IN PART, NOR ITS CONTENTS REVEALED IN ANY MANNER TO OTHERS, EXCEPT TO MEET THE SPECIFIC PURPOSE FOR WHICH IT WAS DELIVERED.

AZTEC

2665 COLUMBIA ST. TORRANCE, CA. 90503
(800) 228-3687 - FAX (310) 381-0722

ENGINEER CM	DRAWN TR/TTR
CHECKED -	DATE 05-03-2007

A T C P A R T Y A S S E M B L Y				
P A R T Y P O L E T E N T / S T A N D A R D				
PART DESCRIPTION	CODE	SIZE	DRAWING NUMBER	REV
_____		AZ-ASSEMBLY-	CONVERSION	0