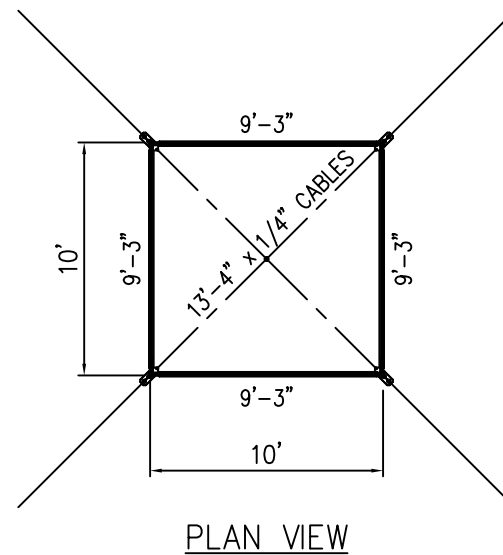
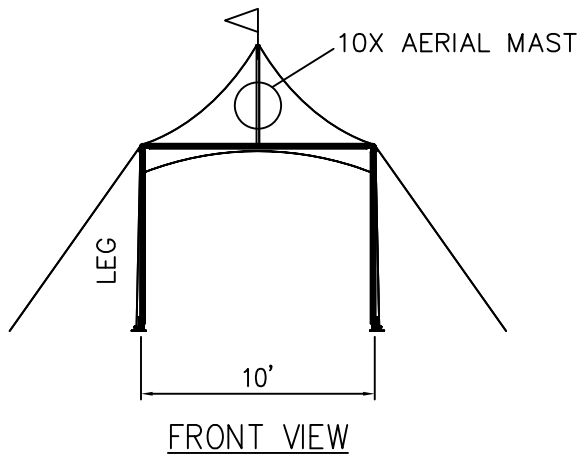


10' x 10' CAN-W FRAME



ALL DATA AND INFORMATION CONTAINED IN OR DISCLOSED BY THIS DOCUMENT IS CONFIDENTIAL AND PROPRIETARY INFORMATION OF AZTEC TENTS AND ALL RIGHTS THEREIN ARE EXPRESSLY RESERVED. BY ACCEPTING THIS MATERIAL THE RECIPIENT AGREES THAT THIS MATERIAL AND INFORMATION CONTAINED THEREIN IS HELD IN CONFIDENCE AND IN TRUST AND WILL NOT BE COPIED, REPRODUCED WHOLE OR IN PART, NOR ITS CONTENTS REVEALED IN ANY MANNER TO OTHERS, EXCEPT TO MEET THE SPECIFIC PURPOSE FOR WHICH IT WAS DELIVERED.

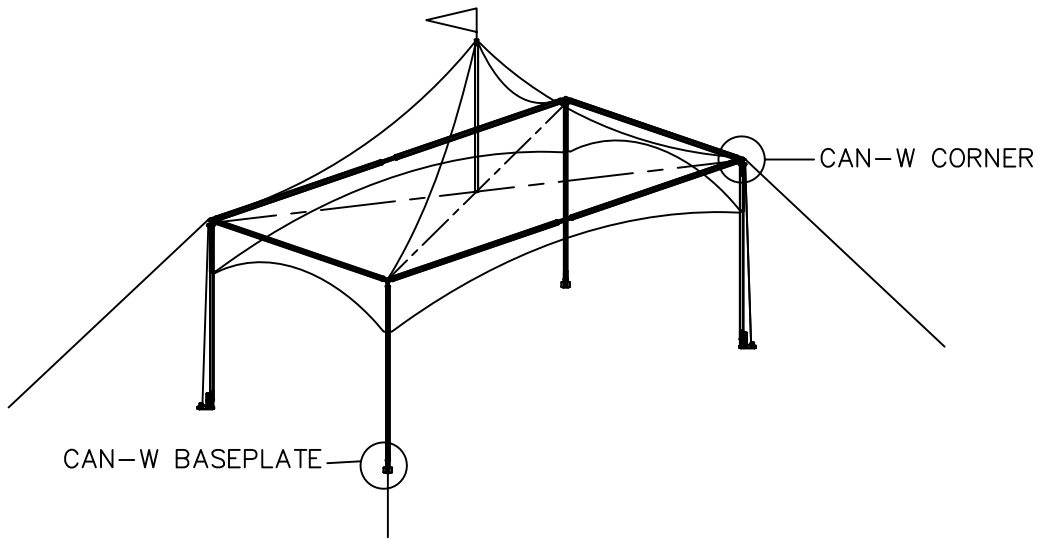
**AZTEC TENTS**  
 DESIGN & PRODUCTION  
 2665 COLUMBIA ST. TORRANCE, CA. 90503  
 (800) 228-3687 - FAX (310) 381-0722

**CAN-W FRAME TENT**  
 10'W x 10'L  
 PART NUMBER:

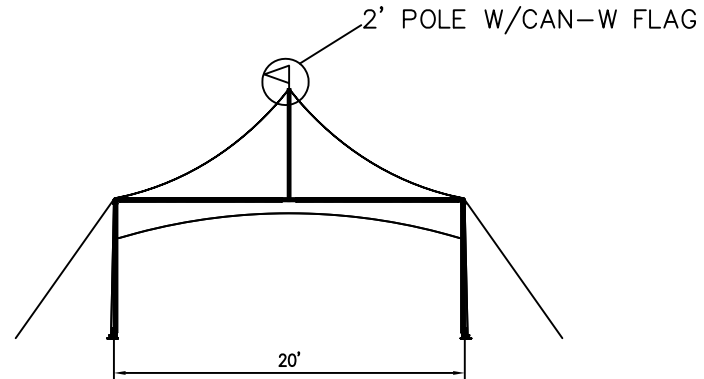
| REVISION HISTORY |             |     |          |
|------------------|-------------|-----|----------|
| REV.             | DESCRIPTION | BY: | DATE:    |
| 1                | DETAIL      | L.R | 10/18/16 |
|                  |             |     |          |
|                  |             |     |          |
|                  |             |     |          |

**CONFIDENTIAL**

ENGINEER: N/A      DATE: 12/2/2015  
 PAGE: 1 OF 1      DRAWN: ELVIS

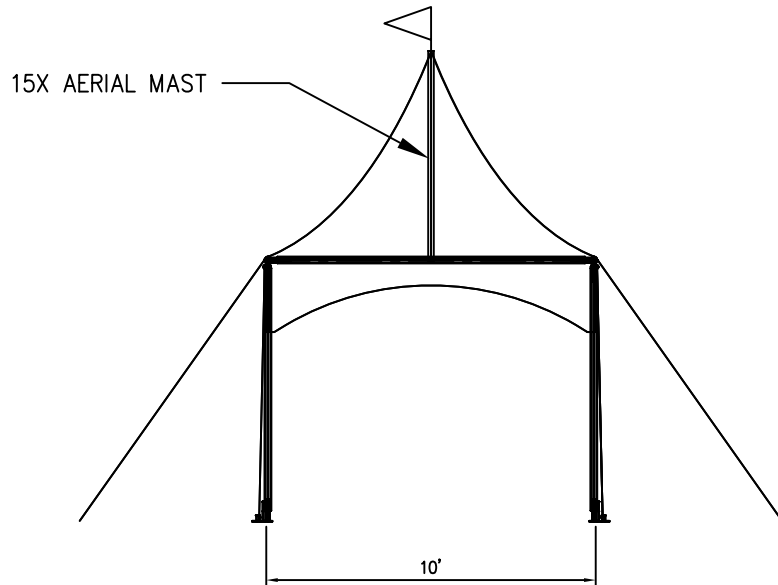


ISOMETRIC VIEW

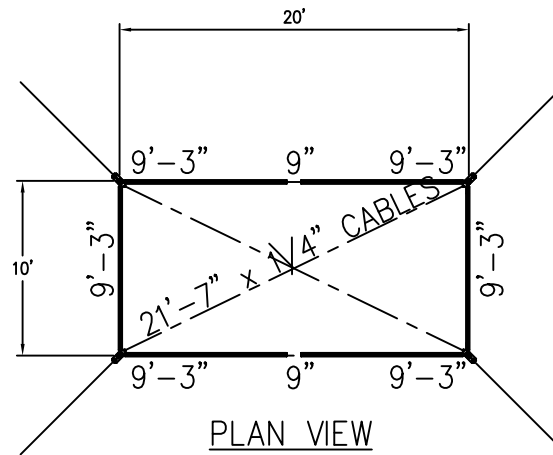


SIDE VIEW

10' x 20' CAN-W FRAME 1-PEAK



FRONT VIEW



PLAN VIEW

ALL DATA AND INFORMATION CONTAINED IN OR DISCLOSED BY THIS DOCUMENT IS CONFIDENTIAL AND PROPRIETARY INFORMATION OF AZTEC TENTS AND ALL RIGHTS THEREIN ARE EXPRESSLY RESERVED. BY ACCEPTING THIS MATERIAL THE RECIPIENT AGREES THAT THIS MATERIAL AND INFORMATION CONTAINED THEREIN IS HELD IN CONFIDENCE AND IN TRUST AND WILL NOT BE COPIED, REPRODUCED WHOLE OR IN PART, NOR ITS CONTENTS REVEALED IN ANY MANNER TO OTHERS, EXCEPT TO MEET THE SPECIFIC PURPOSE FOR WHICH IT WAS DELIVERED.

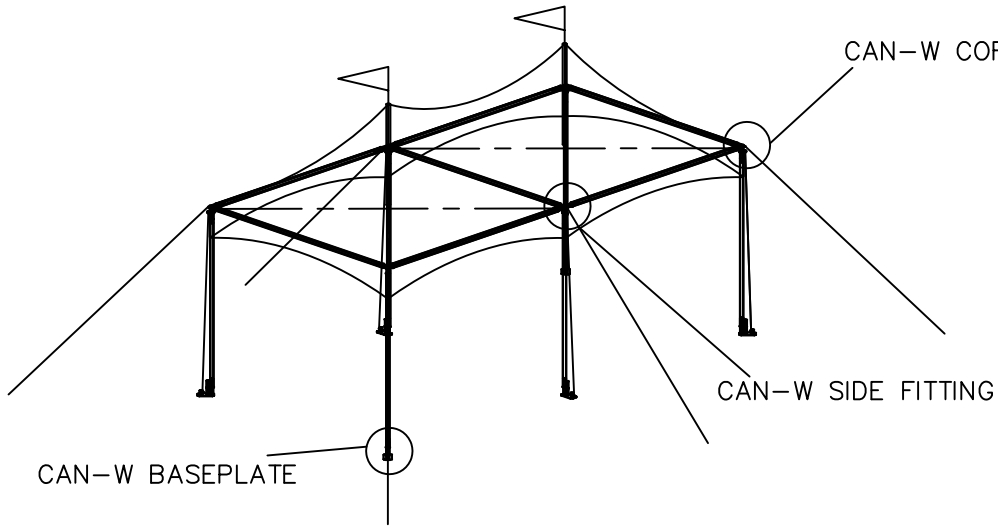
**AZTEC TENTS**  
 DESIGN & PRODUCTION  
 2665 COLUMBIA ST. TORRANCE, CA. 90503  
 (800) 228-3687 - FAX (310) 381-0722

**CAN-W FRAME TENT**  
 CAN-W FRAME TENT/SINGLE POLE  
 10'W X 20'L  
 PART NUMBER: ZXXXXXXX

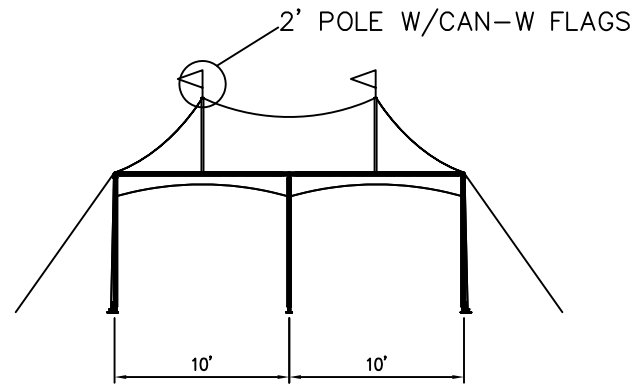
| REVISION HISTORY |             |     |          |
|------------------|-------------|-----|----------|
| REV.             | DESCRIPTION | BY: | DATE:    |
| 1                | DETAIL      | LR  | 10/11/16 |
|                  |             |     |          |
|                  |             |     |          |
|                  |             |     |          |

**CONFIDENTIAL**

ENGINEER: N/A      DATE: 7/7/2016  
 PAGE: 1 OF 1      DRAWN: HUGO.R

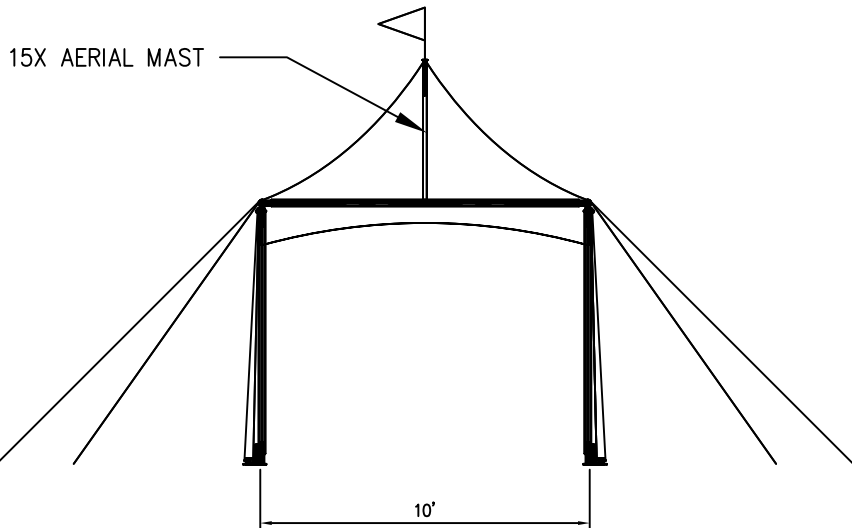


ISOMETRIC VIEW

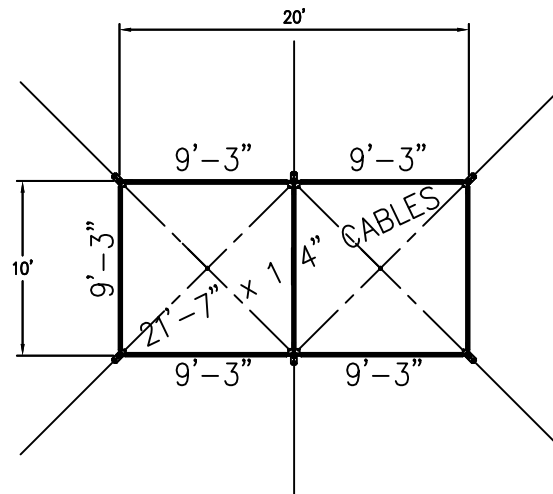


SIDE VIEW

10' x 20' CAN-W FRAME 2-PEAK



END VIEW



PLAN VIEW

ALL DATA AND INFORMATION CONTAINED IN OR DISCLOSED BY THIS DOCUMENT IS CONFIDENTIAL AND PROPRIETARY INFORMATION OF AZTEC TENTS AND ALL RIGHTS THEREIN ARE EXPRESSLY RESERVED. BY ACCEPTING THIS MATERIAL THE RECIPIENT AGREES THAT THIS MATERIAL AND INFORMATION CONTAINED THEREIN IS HELD IN CONFIDENCE AND IN TRUST AND WILL NOT BE COPIED, REPRODUCED WHOLE OR IN PART, NOR ITS CONTENTS REVEALED IN ANY MANNER TO OTHERS, EXCEPT TO MEET THE SPECIFIC PURPOSE FOR WHICH IT WAS DELIVERED.

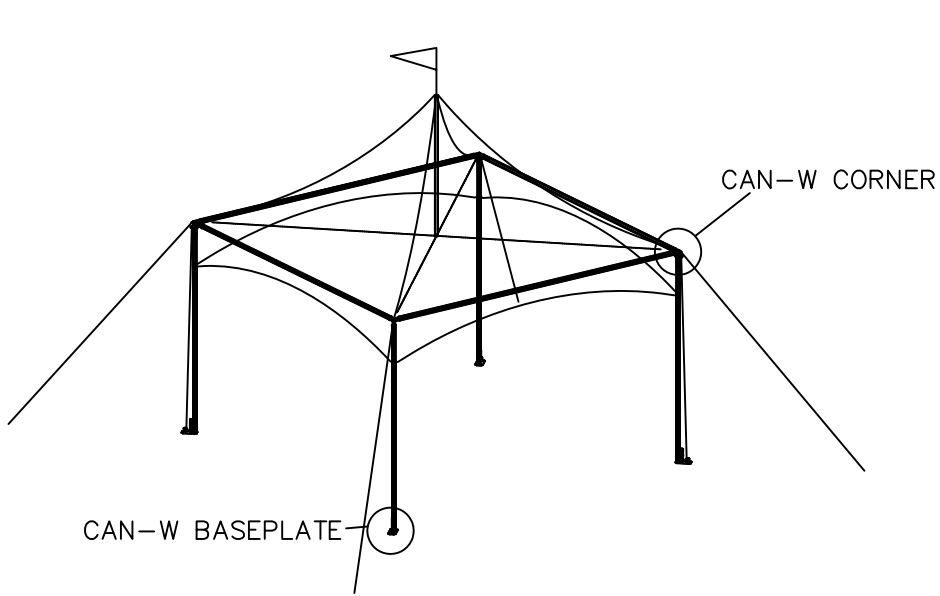
**AZTEC TENTS**  
 DESIGN & PRODUCTION  
 2665 COLUMBIA ST. TORRANCE, CA. 90503  
 (800) 228-3687 - FAX (310) 381-0722

**CAN-W FRAME**  
 10'W x 20'L  
 PART NUMBER:

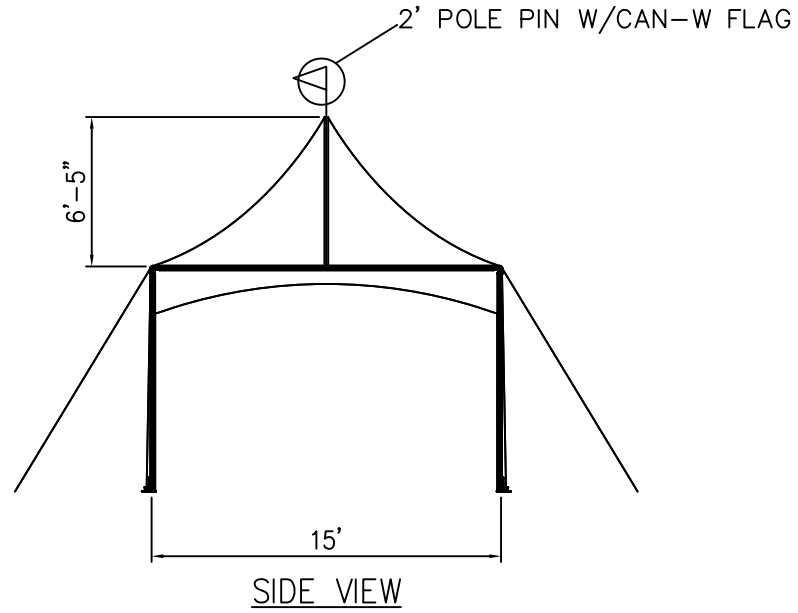
| REVISION HISTORY |             |     |          |
|------------------|-------------|-----|----------|
| REV.             | DESCRIPTION | BY: | DATE:    |
| 1                | DETAIL      | L.R | 10/18/16 |
|                  |             |     |          |
|                  |             |     |          |
|                  |             |     |          |

**CONFIDENTIAL**

ENGINEER: N/A DATE: 8/29/2016  
 PAGE: 1 OF 1 DRAWN: ELVIS

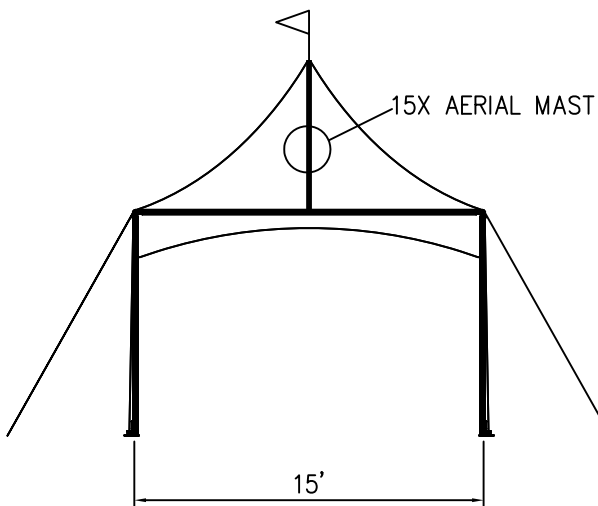


ISOMETRIC VIEW

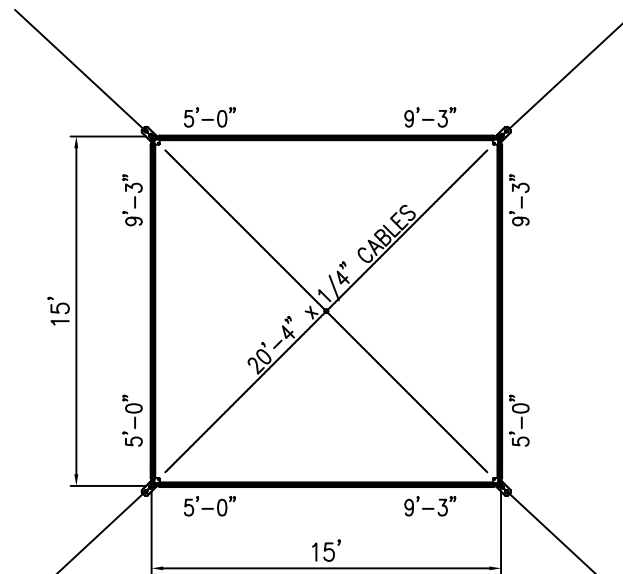


SIDE VIEW

15' x 15' CAN-W FRAME



FRONT VIEW



PLAN VIEW

ALL DATA AND INFORMATION CONTAINED IN OR DISCLOSED BY THIS DOCUMENT IS CONFIDENTIAL AND PROPRIETARY INFORMATION OF AZTEC TENTS AND ALL RIGHTS THEREIN ARE EXPRESSLY RESERVED. BY ACCEPTING THIS MATERIAL THE RECIPIENT AGREES THAT THIS MATERIAL AND INFORMATION CONTAINED THEREIN IS HELD IN CONFIDENCE AND IN TRUST AND WILL NOT BE COPIED, REPRODUCED WHOLE OR IN PART, NOR ITS CONTENTS REVEALED IN ANY MANNER TO OTHERS, EXCEPT TO MEET THE SPECIFIC PURPOSE FOR WHICH IT WAS DELIVERED.

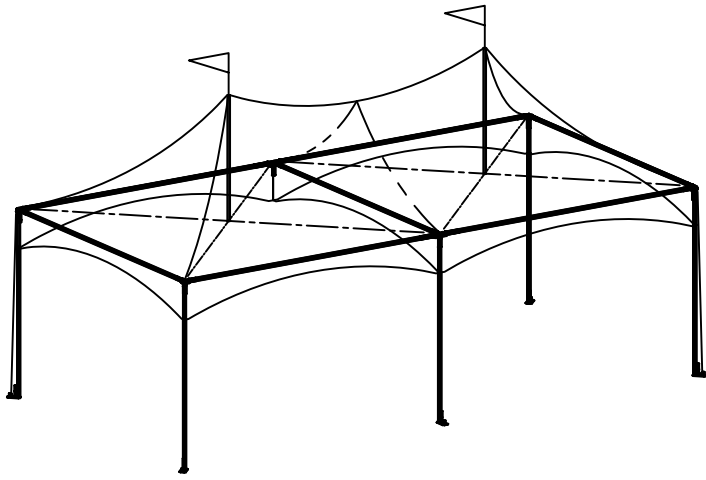
**AZTEC TENTS**  
 DESIGN & PRODUCTION  
 2665 COLUMBIA ST. TORRANCE, CA, 90503  
 (800) 228-3687 - FAX (310) 381-0722

**CAN-W FRAME TENT**  
 15'W x 15'L  
 PART NUMBER: ZXXXXXXX

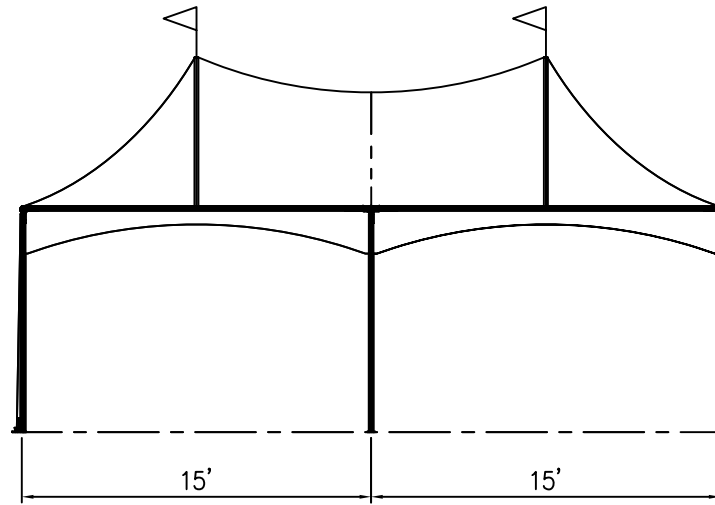
| REVISION HISTORY |             |     |          |
|------------------|-------------|-----|----------|
| REV.             | DESCRIPTION | BY: | DATE:    |
| 1                | DETAIL      | LR  | 10/18/16 |
|                  |             |     |          |
|                  |             |     |          |

**CONFIDENTIAL**

ENGINEER: N/A      DATE: 7/8/2016  
 PAGE: 1 OF 1      DRAWN: ELVIS

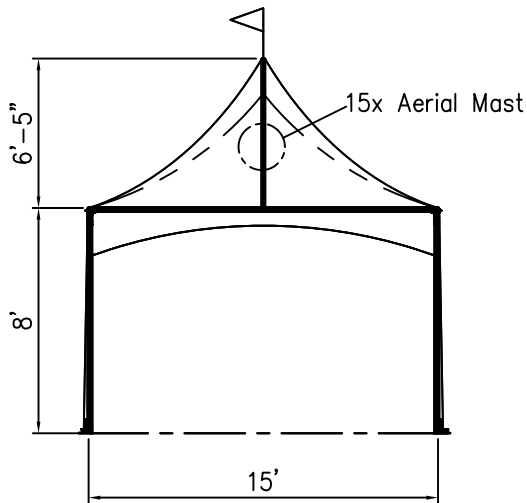


ISOMETRIC VIEW

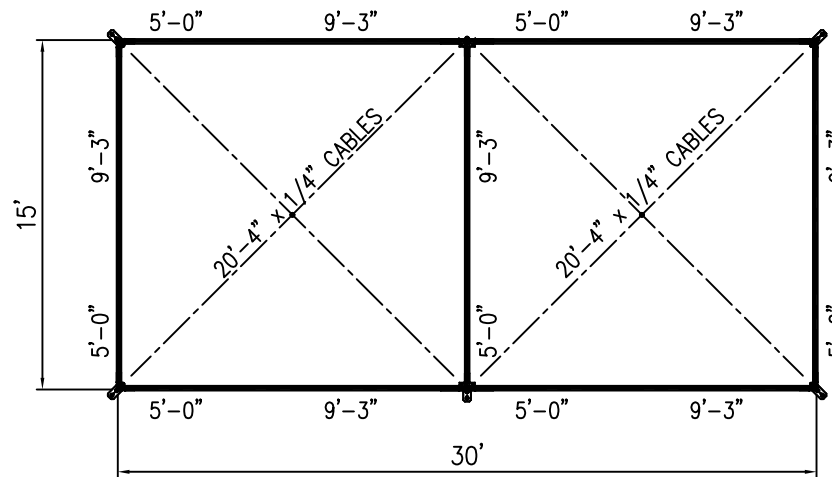


SIDE VIEW

15' x 30' CAN-W FRAME



END VIEW



PLAN VIEW

ALL DATA AND INFORMATION CONTAINED IN OR DISCLOSED BY THIS DOCUMENT IS CONFIDENTIAL AND PROPRIETARY INFORMATION OF AZTEC TENTS AND ALL RIGHTS THEREIN ARE EXPRESSLY RESERVED. BY ACCEPTING THIS MATERIAL THE RECIPIENT AGREES THAT THIS MATERIAL AND INFORMATION CONTAINED THEREIN IS HELD IN CONFIDENCE AND IN TRUST AND WILL NOT BE COPIED, REPRODUCED WHOLE OR IN PART, NOR ITS CONTENTS REVEALED IN ANY MANNER TO OTHERS, EXCEPT TO MEET THE SPECIFIC PURPOSE FOR WHICH IT WAS DELIVERED.

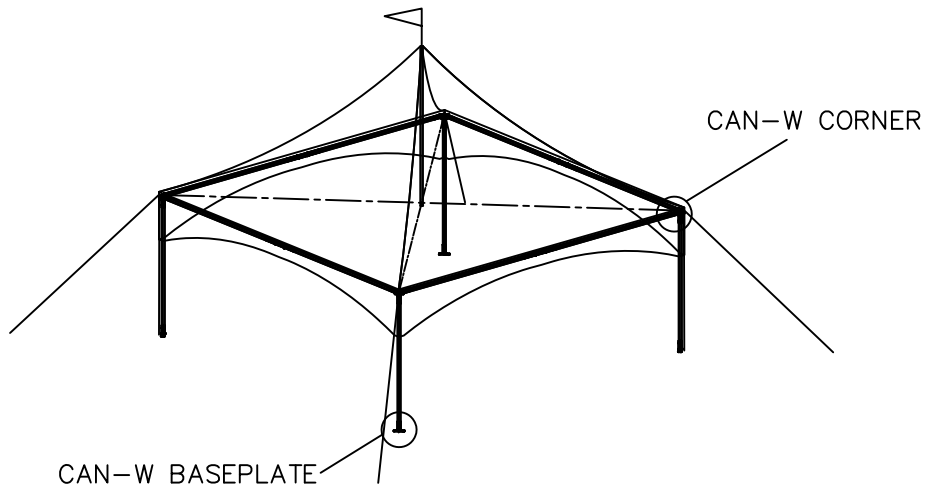
**AZTEC TENTS**  
 DESIGN & PRODUCTION  
 2665 COLUMBIA ST. TORRANCE, CA. 90503  
 (800) 228-3687 - FAX (310) 381-0722

**CAN-W FRAME TENT**  
 15'W x 30'L  
 PART NUMBER:

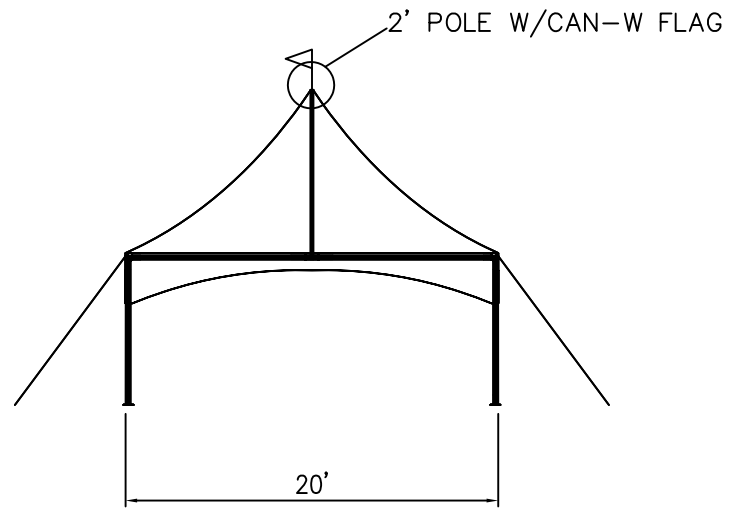
| REVISION HISTORY |             |    |      |
|------------------|-------------|----|------|
| REV.             | DESCRIPTION | BY | DATE |
|                  |             |    |      |
|                  |             |    |      |
|                  |             |    |      |

**CONFIDENTIAL**

ENGINEER: N/A      DATE: 11/4/2016  
 PAGE: 1 OF 1      DRAWN: ELVIS

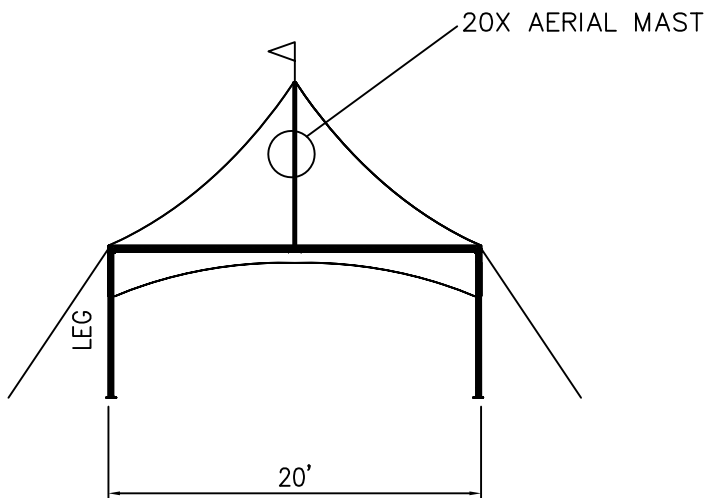


ISOMETRIC VIEW

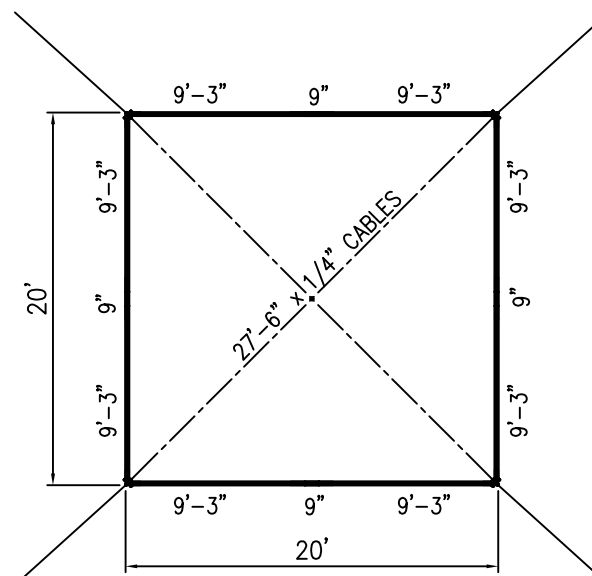


SIDE VIEW

20' x 20' CAN-W FRAME



FRONT VIEW



PLAN VIEW

ALL DATA AND INFORMATION CONTAINED IN OR DISCLOSED BY THIS DOCUMENT IS CONFIDENTIAL AND PROPRIETARY INFORMATION OF AZTEC TENTS AND ALL RIGHTS THEREIN ARE EXPRESSLY RESERVED. BY ACCEPTING THIS MATERIAL THE RECIPIENT AGREES THAT THIS MATERIAL AND INFORMATION CONTAINED THEREIN IS HELD IN CONFIDENCE AND IN TRUST AND WILL NOT BE COPIED, REPRODUCED WHOLE OR IN PART, NOR ITS CONTENTS REVEALED IN ANY MANNER TO OTHERS, EXCEPT TO MEET THE SPECIFIC PURPOSE FOR WHICH IT WAS DELIVERED.

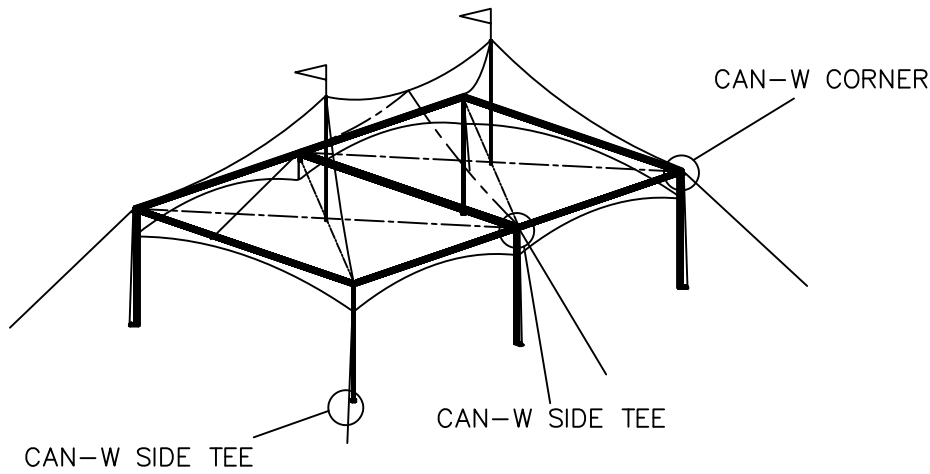
**AZTEC TENTS**  
 DESIGN & PRODUCTION  
 2665 COLUMBIA ST. TORRANCE, CA. 90503  
 (800) 228-3687 - FAX (310) 381-0722

**CAN-W FRAME TENT**  
 20'W x 20'L  
 PART NUMBER:

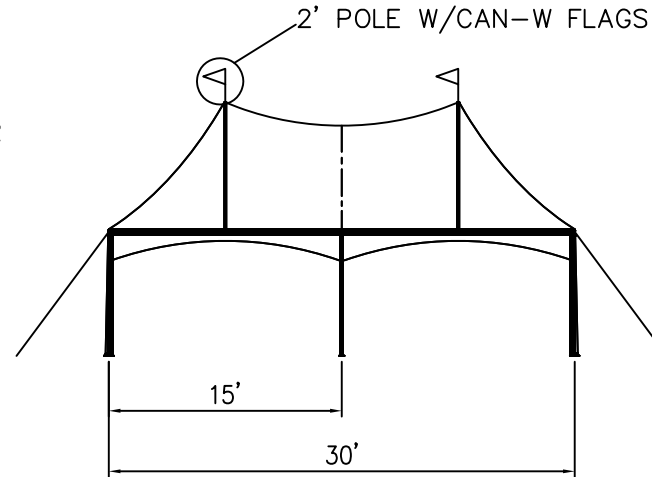
| REVISION HISTORY |               |     |          |
|------------------|---------------|-----|----------|
| REV.             | DESCRIPTION   | BY: | DATE:    |
| 1                | CHANGE LAYOUT | H.R | 7/16     |
| 2                | DETAIL        | L.R | 10/18/16 |
|                  |               |     |          |
|                  |               |     |          |

**CONFIDENTIAL**

ENGINEER: N/A DATE: 12/2/2015  
 PAGE: 1 OF 1 DRAWN: ELVIS

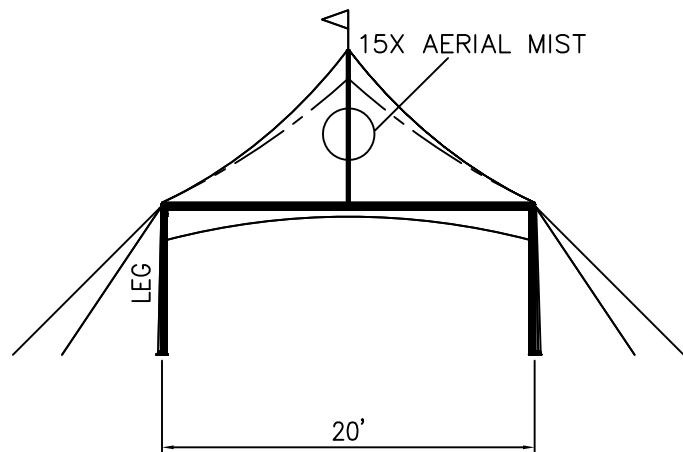


ISOMETRIC VIEW

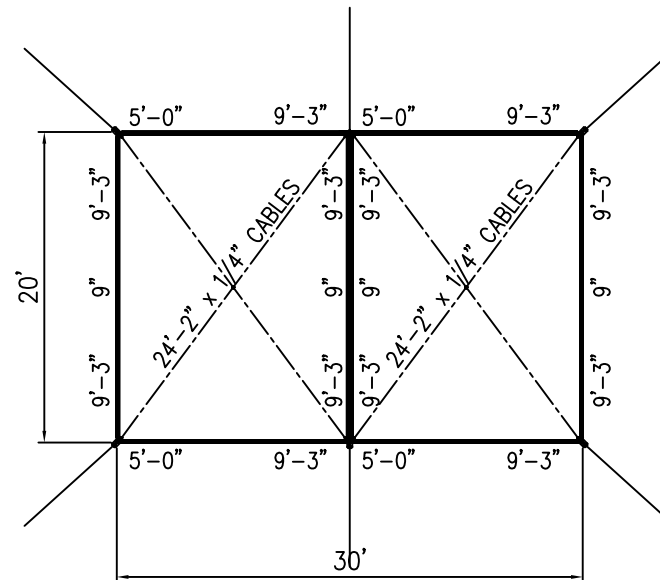


SIDE VIEW

20' x 30' CAN-W FRAME



FRONT VIEW



PLAN VIEW

ALL DATA AND INFORMATION CONTAINED IN OR DISCLOSED BY THIS DOCUMENT IS CONFIDENTIAL AND PROPRIETARY INFORMATION OF AZTEC TENTS AND ALL RIGHTS THEREIN ARE EXPRESSLY RESERVED. BY ACCEPTING THIS MATERIAL THE RECIPIENT AGREES THAT THIS MATERIAL AND INFORMATION CONTAINED THEREIN IS HELD IN CONFIDENCE AND IN TRUST AND WILL NOT BE COPIED, REPRODUCED WHOLE OR IN PART, NOR ITS CONTENTS REVEALED IN ANY MANNER TO OTHERS, EXCEPT TO MEET THE SPECIFIC PURPOSE FOR WHICH IT WAS DELIVERED.

**AZTEC TENTS**  
 DESIGN & PRODUCTION  
 2665 COLUMBIA ST. TORRANCE, CA. 90503  
 (800) 228-3687 - FAX (310) 381-0722

**CAN-W FRAME TENT**  
 20'W x 30'L  
 PART NUMBER: ZXXXXXXX

| REVISION HISTORY |                |     |          |
|------------------|----------------|-----|----------|
| REV.             | DESCRIPTION    | BY: | DATE:    |
| 1                | CHANGED LAYOUT | H.R | 7/16     |
| 2                | DETAILS        | L.R | 10/18/16 |
|                  |                |     |          |
|                  |                |     |          |

**CONFIDENTIAL**

ENGINEER: N/A DATE: 8/28/2016  
 PAGE: 1 OF 1 DRAWN: HUGO.R

