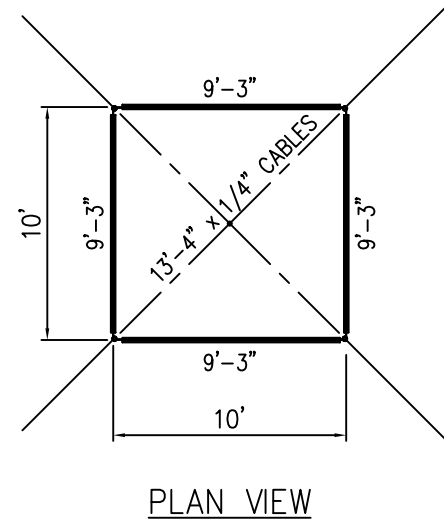
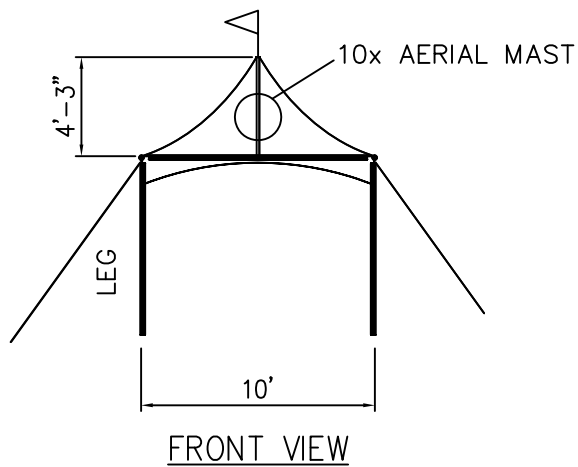


10' x 10' CAN-T FRAME



ALL DATA AND INFORMATION CONTAINED IN OR DISCLOSED BY THIS DOCUMENT IS CONFIDENTIAL AND PROPRIETARY INFORMATION OF AZTEC TENTS AND ALL RIGHTS THEREIN ARE EXPRESSLY RESERVED. BY ACCEPTING THIS MATERIAL THE RECIPIENT AGREES THAT THIS MATERIAL AND INFORMATION CONTAINED THEREIN IS HELD IN CONFIDENCE AND IN TRUST AND WILL NOT BE COPIED, REPRODUCED WHOLE OR IN PART, NOR ITS CONTENTS REVEALED IN ANY MANNER TO OTHERS, EXCEPT TO MEET THE SPECIFIC PURPOSE FOR WHICH IT WAS DELIVERED.

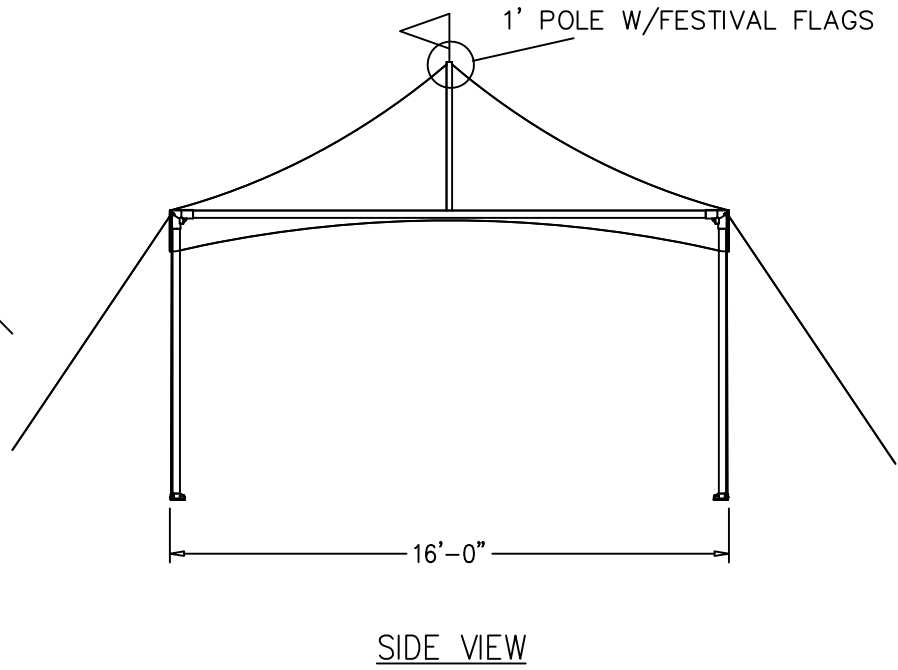
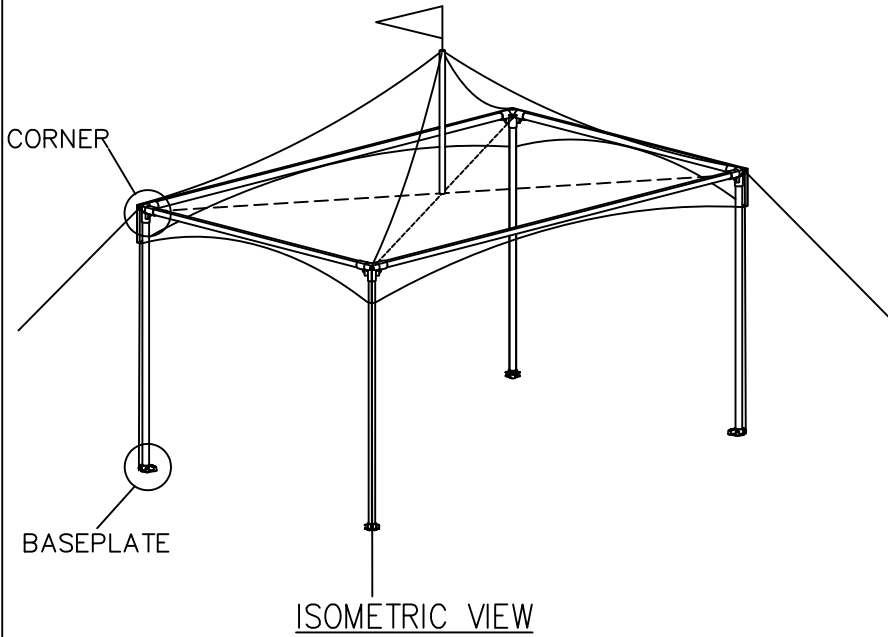
**AZTEC TENTS**  
 DESIGN & PRODUCTION  
 2665 COLUMBIA ST. TORRANCE, CA. 90503  
 (800) 228-3687 - FAX (310) 381-0722

**FESTIVAL CAN-T**  
 CAN-T FRAME/STANDARD  
 10'W X 10'L CAN-T FRAME  
 PART NUMBER: ZXXXXXXX

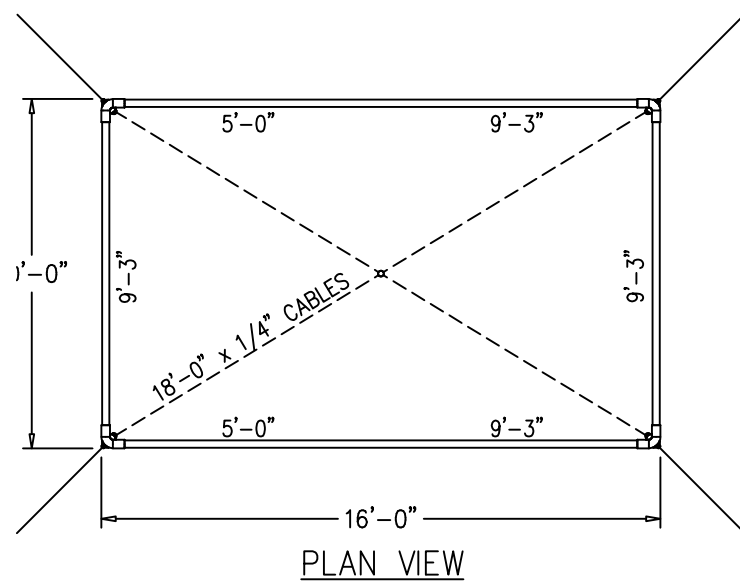
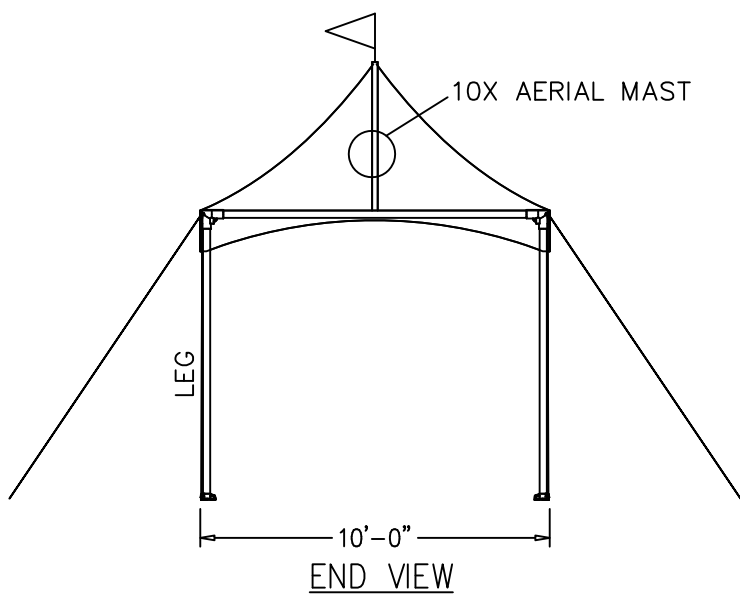
REVISION HISTORY			
REV.	DESCRIPTION	BY:	DATE:
1	DETAILS	L.R	10/18/16

**CONFIDENTIAL**

ENGINEER: N/A      DATE: 7/7/2016  
 PAGE: 1 OF 1      DRAWN: HUGO.R



10' x 15' CAN-T FRAME



ALL DATA AND INFORMATION CONTAINED IN OR DISCLOSED BY THIS DOCUMENT IS CONFIDENTIAL AND PROPRIETARY INFORMATION OF AZTEC TENTS AND ALL RIGHTS THEREIN ARE EXPRESSLY RESERVED. BY ACCEPTING THIS MATERIAL THE RECIPIENT AGREES THAT THIS MATERIAL AND INFORMATION CONTAINED THEREIN IS HELD IN CONFIDENCE AND IN TRUST AND WILL NOT BE COPIED, REPRODUCED WHOLE OR IN PART, NOR ITS CONTENTS REVEALED IN ANY MANNER TO OTHERS, EXCEPT TO MEET THE SPECIFIC PURPOSE FOR WHICH IT WAS DELIVERED.

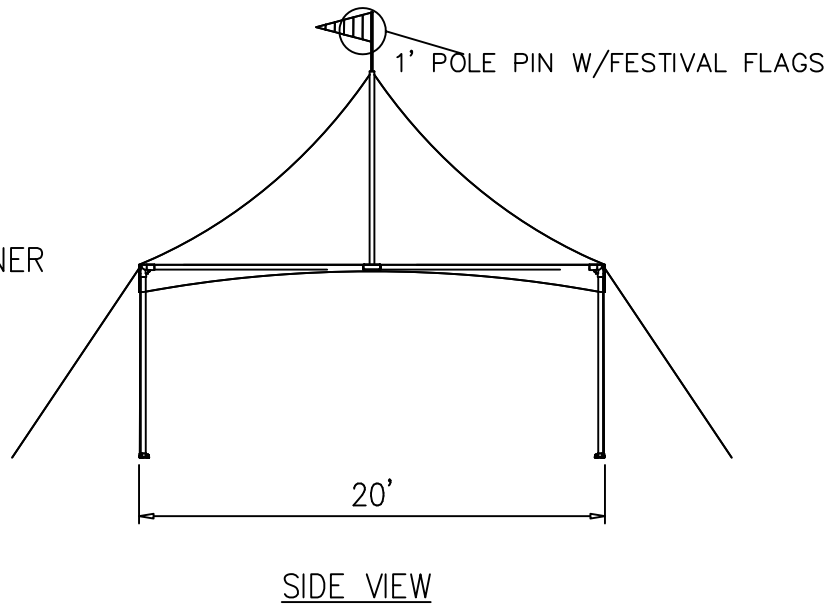
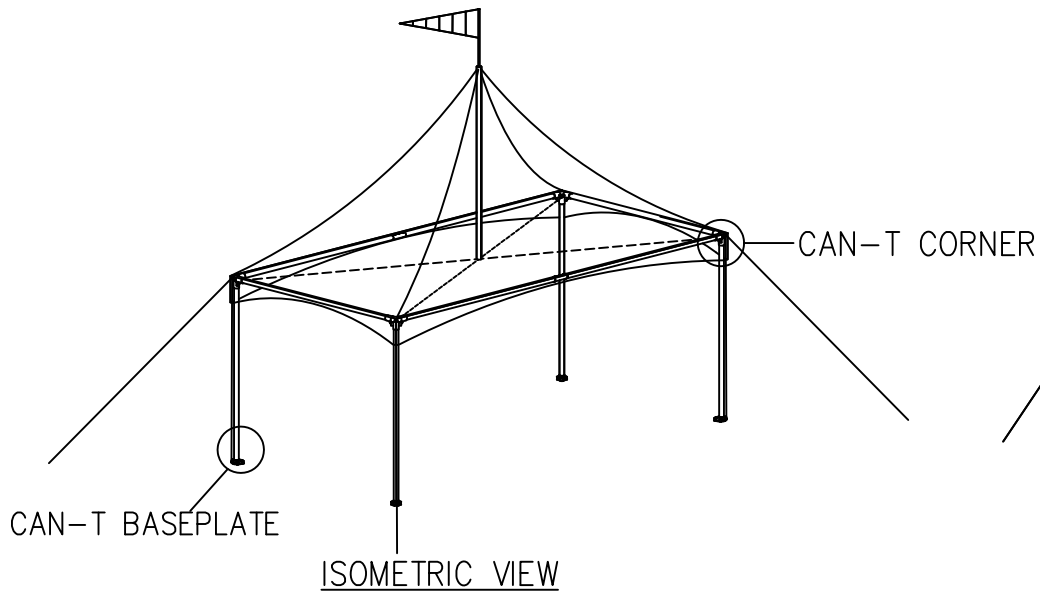
**AZTEC TENTS**  
 DESIGN & PRODUCTION  
 2665 COLUMBIA ST. TORRANCE, CA. 90503  
 (800) 228-3687 - FAX (310) 381-0722

**FESTIVAL CAN-T**  
 CAN-W FRAME/STANDARD  
 10'W X 13'L CAN-W FRAME  
 PART NUMBER: ZXXXXXXX

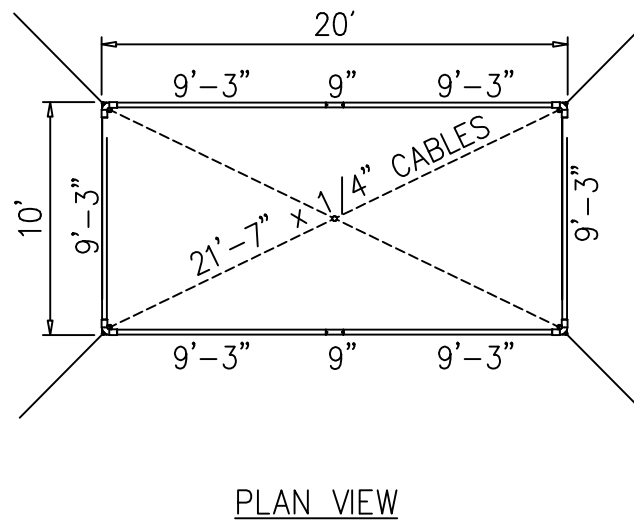
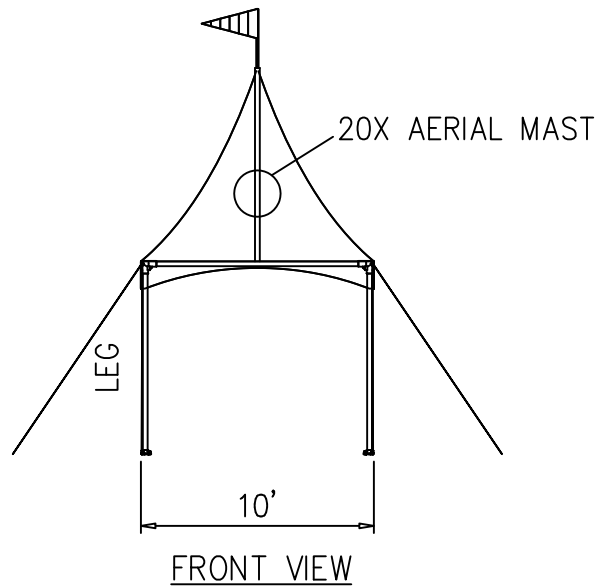
REVISION HISTORY			
REV.	DESCRIPTION	BY:	DATE:
1	CHANGES IN DETAIL	L.R	10/18/16

**CONFIDENTIAL**

ENGINEER: N/A DATE: 3/1/2016  
 PAGE: 1 OF 1 DRAWN: HUGO.R



10' x 20' CAN-T FRAME



ALL DATA AND INFORMATION CONTAINED IN OR DISCLOSED BY THIS DOCUMENT IS CONFIDENTIAL AND PROPRIETARY INFORMATION OF AZTEC TENTS AND ALL RIGHTS THEREIN ARE EXPRESSLY RESERVED. BY ACCEPTING THIS MATERIAL THE RECIPIENT AGREES THAT THIS MATERIAL AND INFORMATION CONTAINED THEREIN IS HELD IN CONFIDENCE AND IN TRUST AND WILL NOT BE COPIED, REPRODUCED WHOLE OR IN PART, NOR ITS CONTENTS REVEALED IN ANY MANNER TO OTHERS, EXCEPT TO MEET THE SPECIFIC PURPOSE FOR WHICH IT WAS DELIVERED.

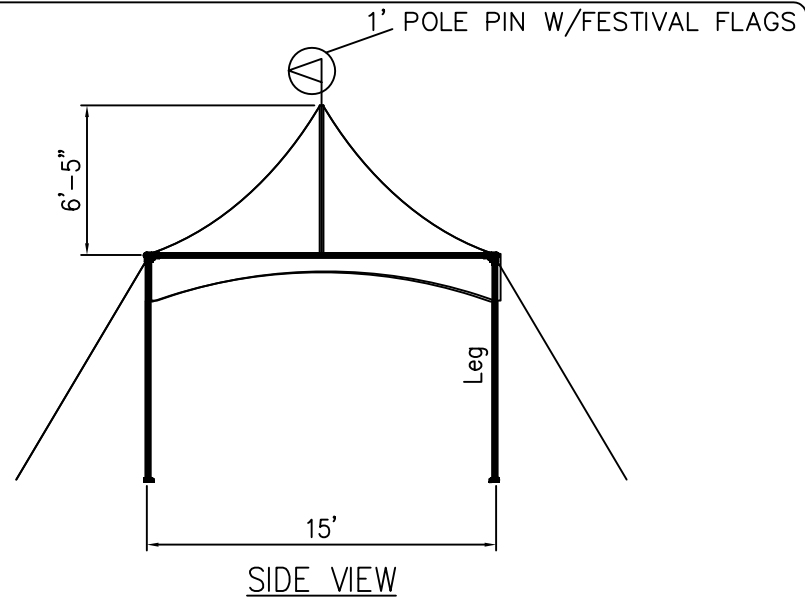
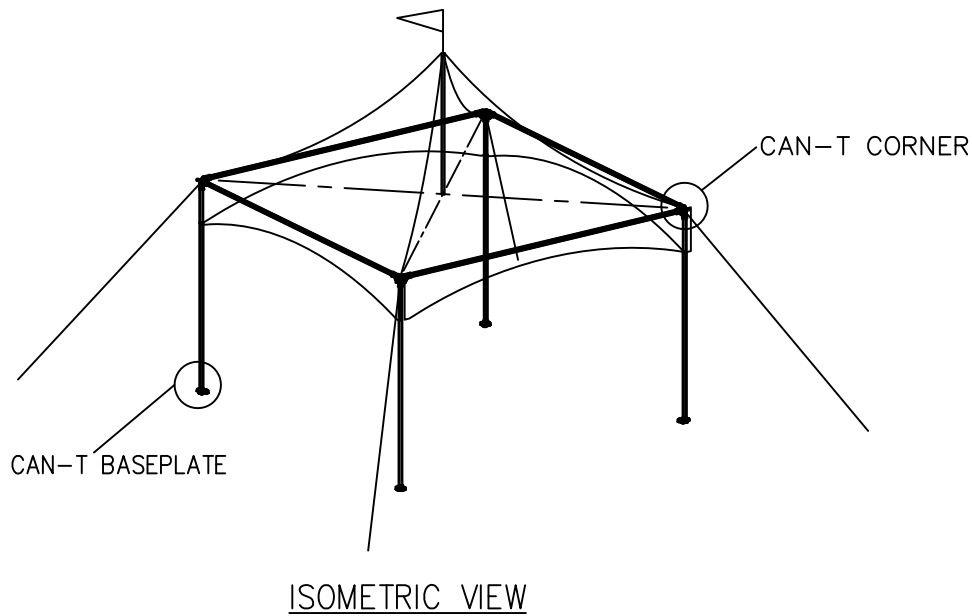
**AZTEC TENTS**  
 DESIGN & PRODUCTION  
 2665 COLUMBIA ST. TORRANCE, CA. 90503  
 (800) 228-3687 - FAX (310) 381-0722

**FESTIVAL CAN-T**  
 CAN-W FRAME/STANDARD  
 10'W X 13'L CAN-W FRAME  
 PART NUMBER: ZXXXXXXX

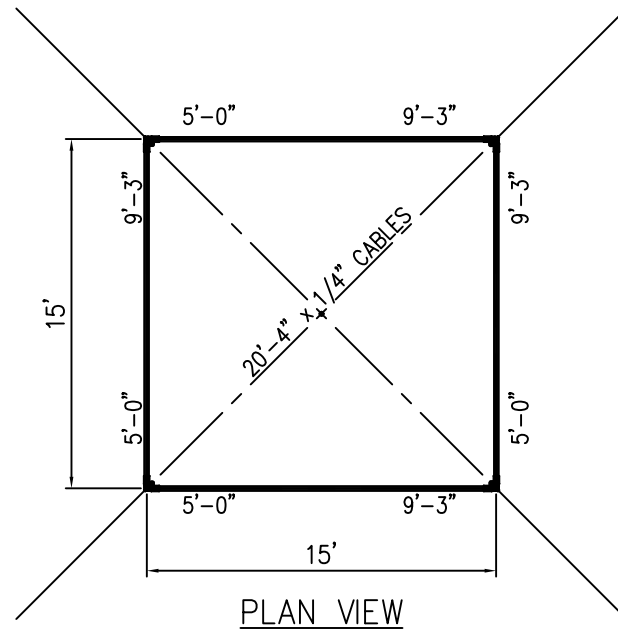
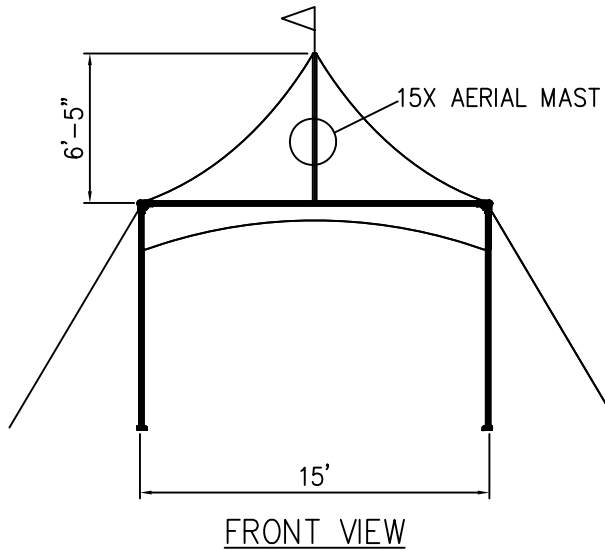
REVISION HISTORY			
REV.	DESCRIPTION	BY:	DATE:
1	DETAIL	LR	10/18/16

**CONFIDENTIAL**

ENGINEER: N/A      DATE: 7/7/2016  
 PAGE: 1 OF 1      DRAWN: HUGO.R



15' x 15' CAN-T FRAME



ALL DATA AND INFORMATION CONTAINED IN OR DISCLOSED BY THIS DOCUMENT IS CONFIDENTIAL AND PROPRIETARY INFORMATION OF AZTEC TENTS AND ALL RIGHTS THEREIN ARE EXPRESSLY RESERVED. BY ACCEPTING THIS MATERIAL THE RECIPIENT AGREES THAT THIS MATERIAL AND INFORMATION CONTAINED THEREIN IS HELD IN CONFIDENCE AND IN TRUST AND WILL NOT BE COPIED, REPRODUCED WHOLE OR IN PART, NOR ITS CONTENTS REVEALED IN ANY MANNER TO OTHERS, EXCEPT TO MEET THE SPECIFIC PURPOSE FOR WHICH IT WAS DELIVERED.

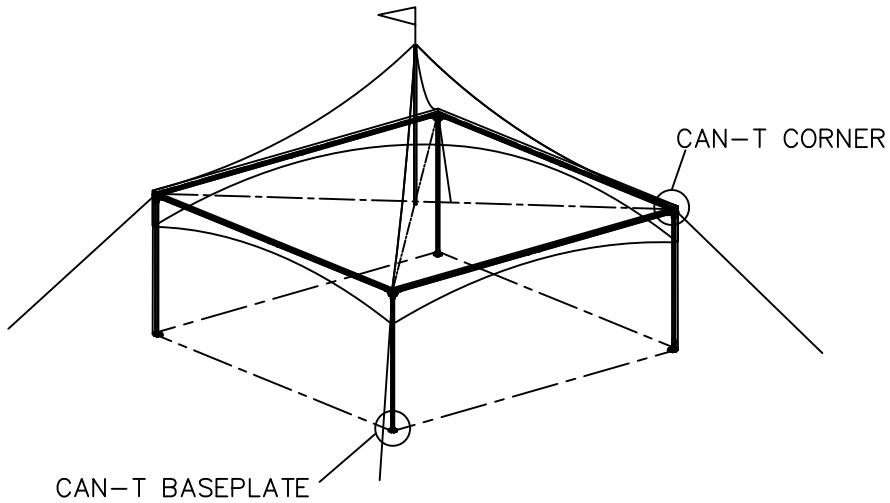
**AZTEC TENTS**  
 DESIGN & PRODUCTION  
 2665 COLUMBIA ST. TORRANCE, CA. 90503  
 (800) 228-3687 - FAX (310) 381-0722

**CAN-T FRAME**  
 CAN-T FRAME/STANDARD  
 15'W X 15'L CAN-T FRAME  
 PART NUMBER: ZXXXXXXX

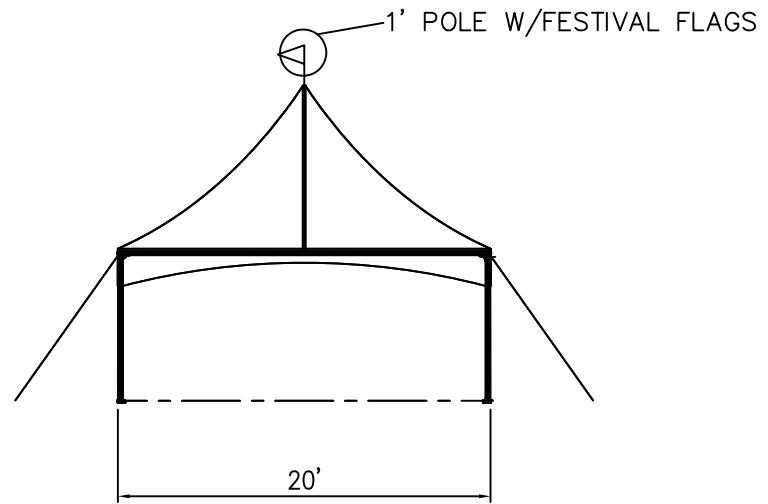
REVISION HISTORY			
REV.	DESCRIPTION	BY:	DATE:
1	DETAILS	L.R	10/18/16

**CONFIDENTIAL**

ENGINEER: N/A DATE: 7/8/2016  
 PAGE: 1 OF 1 DRAWN: HUGO.R

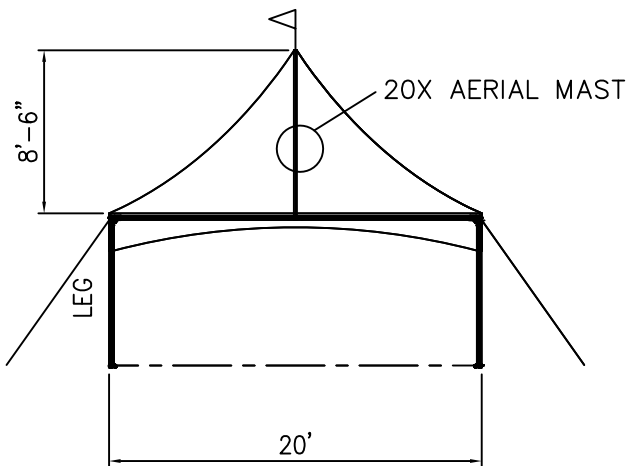


ISOMETRIC VIEW

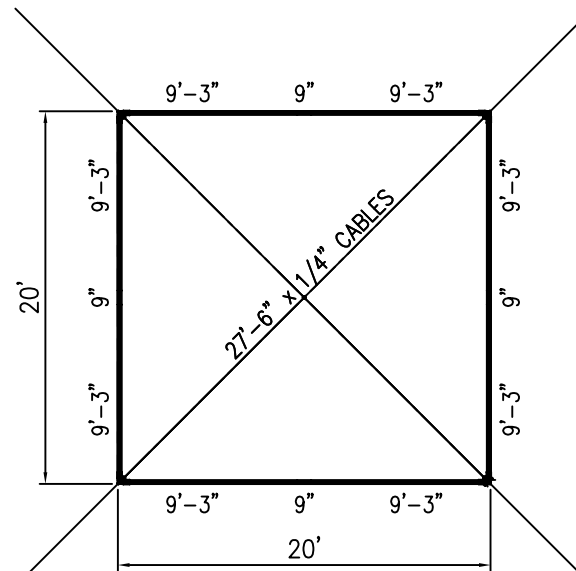


SIDE VIEW

20' x 20' CAN-T FRAME



FRONT VIEW



PLAN VIEW

ALL DATA AND INFORMATION CONTAINED IN OR DISCLOSED BY THIS DOCUMENT IS CONFIDENTIAL AND PROPRIETARY INFORMATION OF AZTEC TENTS AND ALL RIGHTS THEREIN ARE EXPRESSLY RESERVED. BY ACCEPTING THIS MATERIAL THE RECIPIENT AGREES THAT THIS MATERIAL AND INFORMATION CONTAINED THEREIN IS HELD IN CONFIDENCE AND IN TRUST AND WILL NOT BE COPIED, REPRODUCED, WHOLE OR IN PART, NOR ITS CONTENTS REVEALED TO ANY MAN OR TO OTHERS, EXCEPT TO MEET THE SPECIFIC PURPOSE FOR WHICH IT WAS DELIVERED.

**AZTEC TENTS**  
 DESIGN & PRODUCTION  
 2665 COLUMBIA ST. TORRANCE, CA, 90503  
 (800) 228-3687 - FAX (310) 381-0722

**FESTIVAL CAN-T**  
 CAN-T FRAME/STANDARD  
 20'W X 20'L CAN-T FRAME  
 PART NUMBER: ZXXXXXXX

REVISION HISTORY			
REV.	DESCRIPTION	BY:	DATE:
1	DETAIL	LR	10/18/16

**CONFIDENTIAL**

ENGINEER: N/A DATE: 7/8/2016  
 PAGE: 1 OF 1 DRAWN: HUGO.R