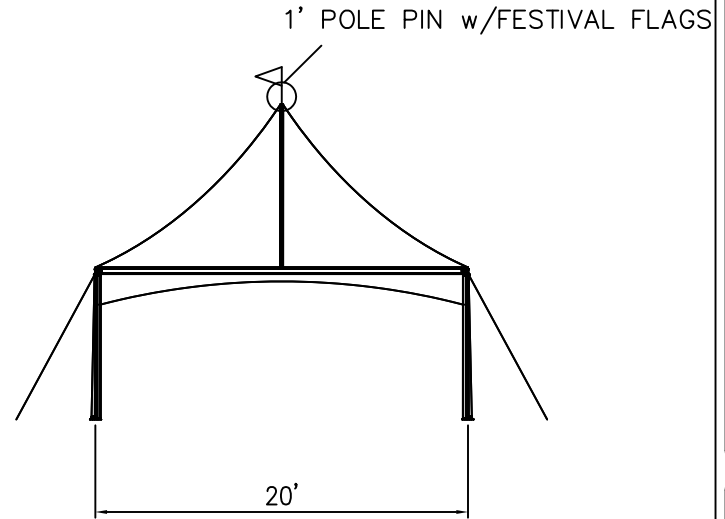
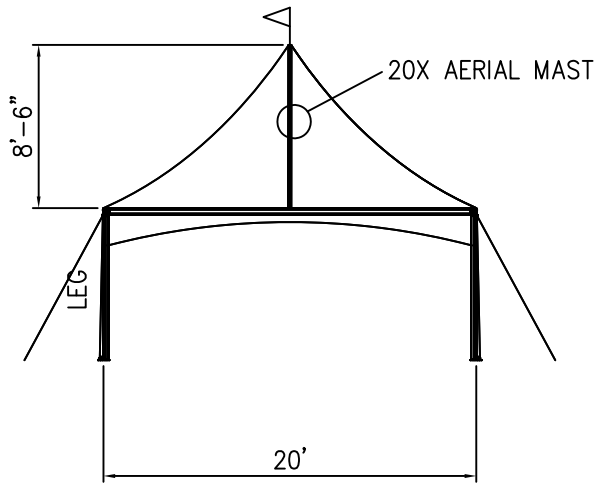


ISOMETRIC VIEW

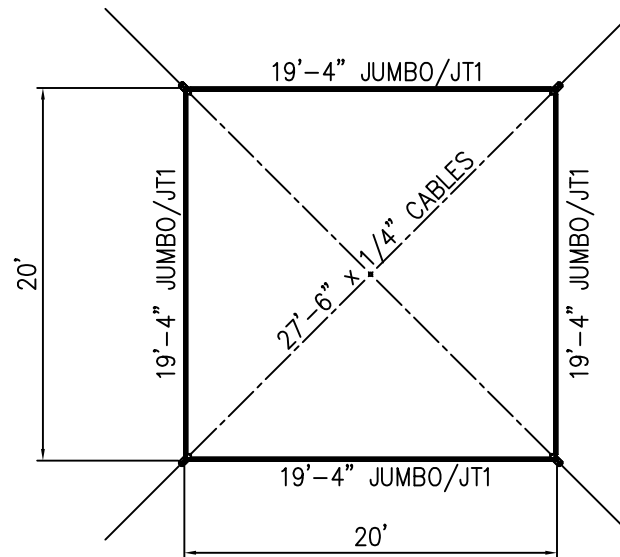


SIDE VIEW

20'W x 20'L FESTIVAL FRAME TENT



FRONT VIEW



PLAN VIEW

ALL DATA AND INFORMATION CONTAINED IN OR DISCLOSED BY THIS DOCUMENT IS CONFIDENTIAL AND PROPRIETARY INFORMATION OF AZTEC TENTS AND ALL RIGHTS THEREIN ARE EXPRESSLY RESERVED. BY ACCEPTING THIS MATERIAL THE RECIPIENT AGREES THAT THIS MATERIAL AND INFORMATION CONTAINED THEREIN IS HELD IN CONFIDENCE AND IN TRUST AND WILL NOT BE COPIED, REPRODUCED WHOLE OR IN PART, NOR ITS CONTENTS REVEALED IN ANY MANNER TO OTHERS, EXCEPT TO MEET THE SPECIFIC PURPOSE FOR WHICH IT WAS DELIVERED.

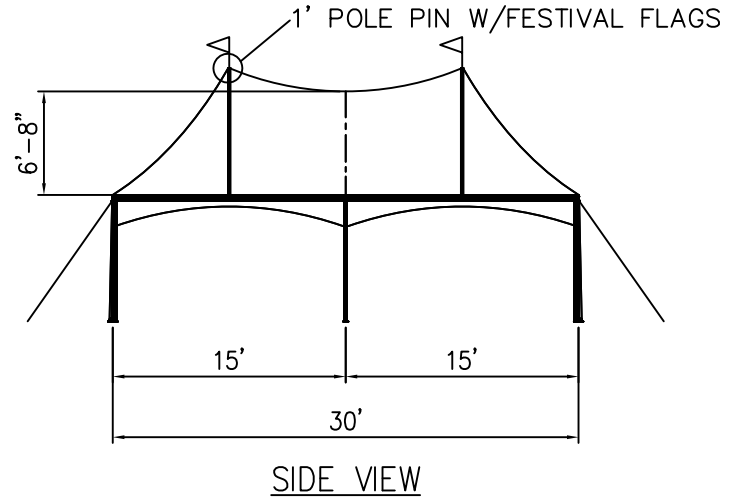
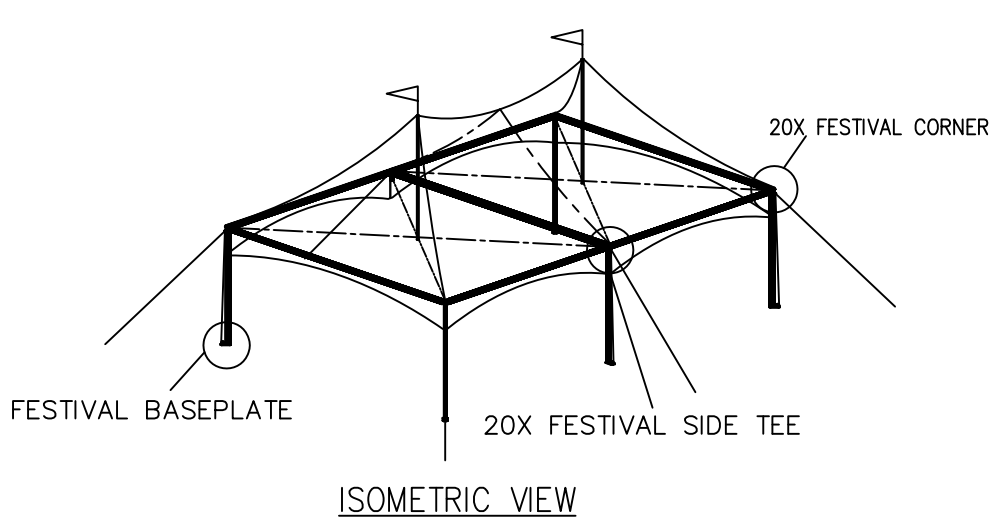
**AZTEC TENTS**  
 DESIGN & PRODUCTION  
 2665 COLUMBIA ST. TORRANCE, CA. 90503  
 (800) 228-3687 - FAX (310) 381-0722

FESTIVAL FRAME TENT  
 20'W x 20'L  
 PART NUMBER: ZXXXXXX

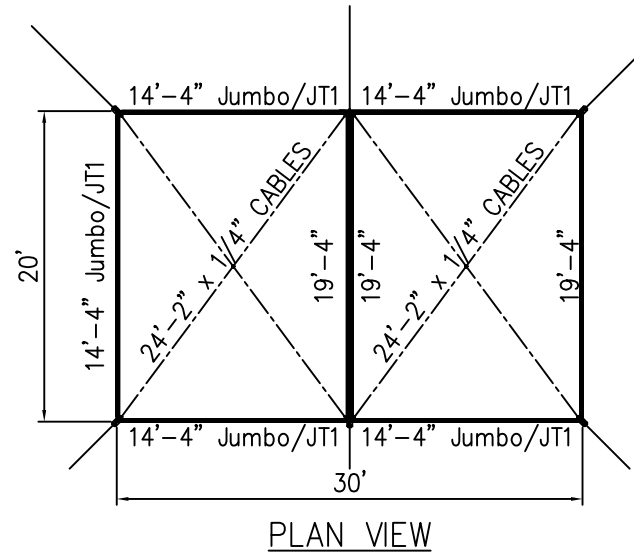
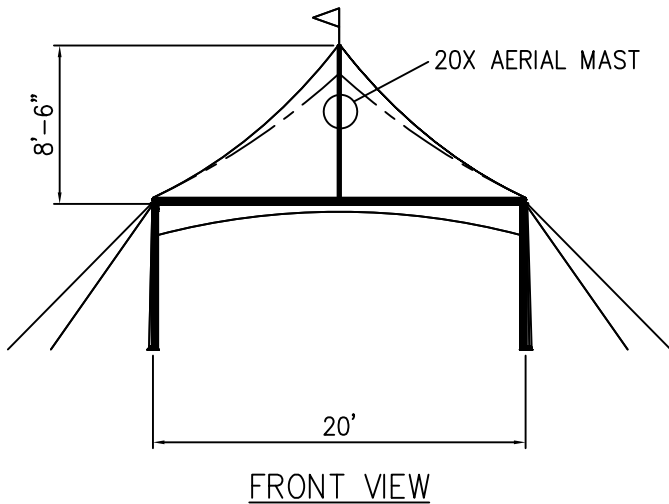
REVISION HISTORY			
REV.	DESCRIPTION	BY:	DATE:
1	CHANGES TO DETAIL	ELVIS	6/6/16
2	CHANGES TO DETAIL	L.R	10/12/16

**CONFIDENTIAL**

ENGINEER: N/A DATE: 7/8/2016  
 PAGE: 1 OF 1 DRAWN: HUGO.R



20' x 30' FESTIVAL FRAME TENT 2-PEAK



ALL DATA AND INFORMATION CONTAINED IN OR DISCLOSED BY THIS DOCUMENT IS CONFIDENTIAL AND PROPRIETARY INFORMATION OF AZTEC TENTS AND ALL RIGHTS THEREIN ARE EXPRESSLY RESERVED. BY ACCEPTING THIS MATERIAL THE RECIPIENT AGREES THAT THIS MATERIAL AND INFORMATION CONTAINED THEREIN IS HELD IN CONFIDENCE AND IN TRUST AND WILL NOT BE COPIED, REPRODUCED WHOLE OR IN PART, NOR ITS CONTENTS REVEALED IN ANY MANNER TO OTHERS, EXCEPT TO MEET THE SPECIFIC PURPOSE FOR WHICH IT WAS DELIVERED.

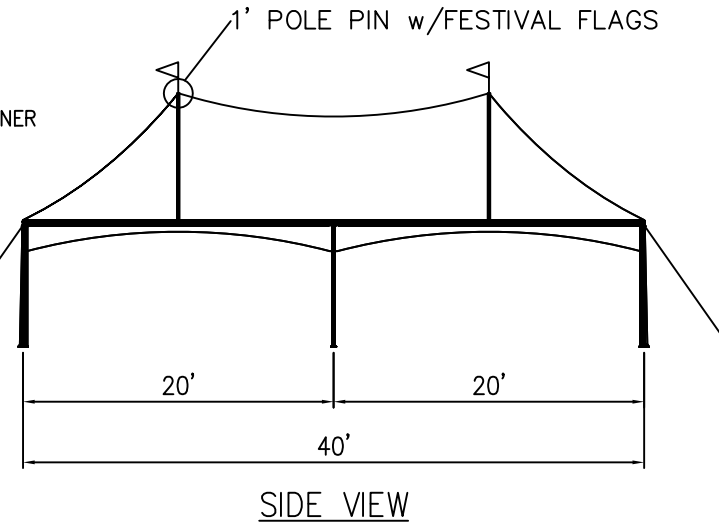
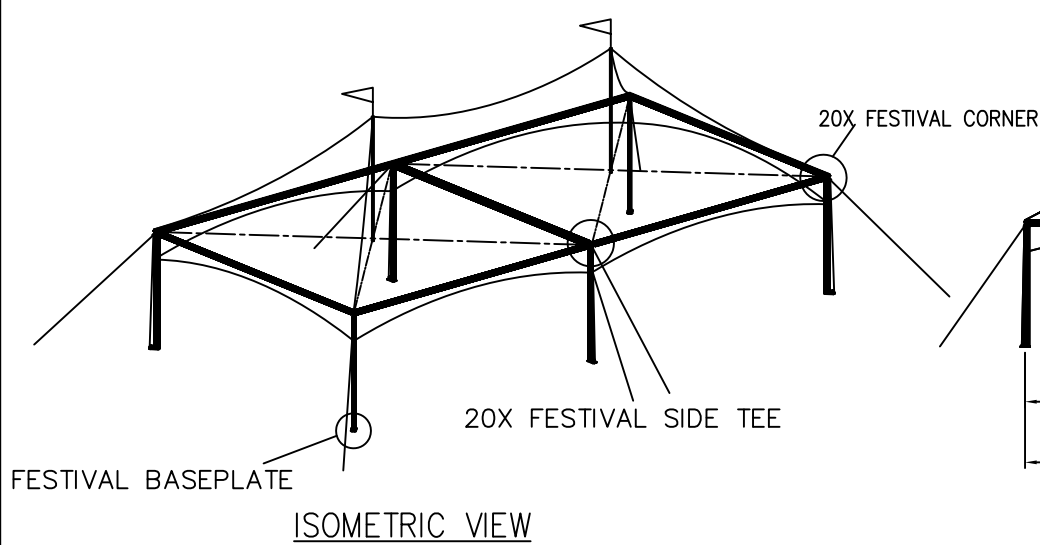
**AZTEC TENTS**  
 DESIGN & PRODUCTION  
 2665 COLUMBIA ST. TORRANCE, CA. 90503  
 (800) 228-3687 - FAX (310) 381-0722

**FESTIVAL FRAME**  
 FESTIVAL/STANDARD  
 20'W X 30'L  
 PART NUMBER: ZXXXXXX

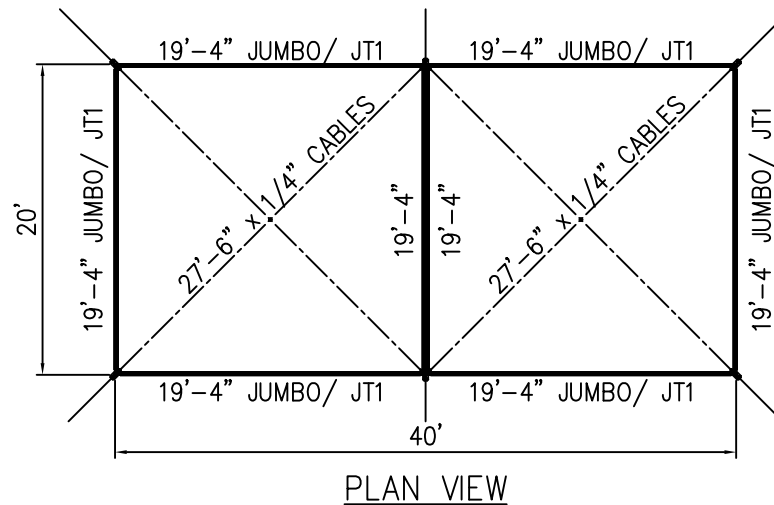
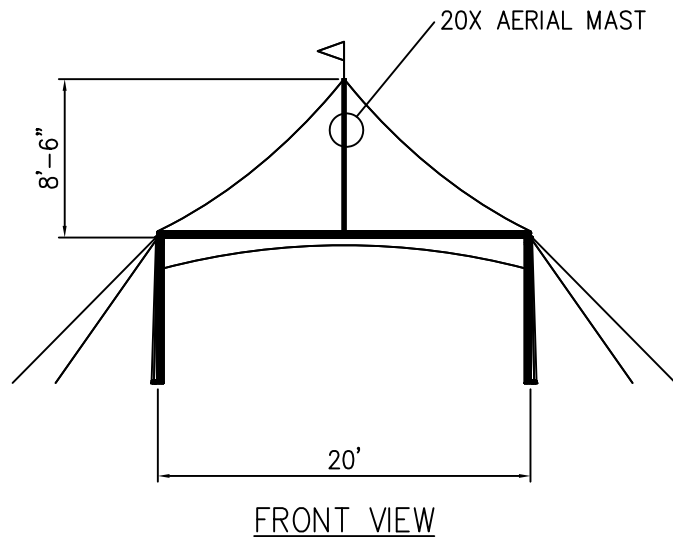
REVISION HISTORY			
REV.	DESCRIPTION	BY	DATE
1	CHANGE TO DETAILS	L.R	10/12/16

**CONFIDENTIAL**

ENGINEER: N/A      DATE: 7/8/2016  
 PAGE: 1 OF 1      DRAWN: HUGO.R



20' x 40' FESTIVAL FRAME TENT 2-PEAK



ALL DATA AND INFORMATION CONTAINED IN OR DISCLOSED BY THIS DOCUMENT IS CONFIDENTIAL AND PROPRIETARY INFORMATION OF AZTEC TENTS AND ALL RIGHTS THEREIN ARE EXPRESSLY RESERVED. BY ACCEPTING THIS MATERIAL THE RECIPIENT AGREES THAT THIS MATERIAL AND INFORMATION CONTAINED THEREIN IS HELD IN CONFIDENCE AND IN TRUST AND WILL NOT BE COPIED, REPRODUCED WHOLE OR IN PART, NOR ITS CONTENTS REVEALED IN ANY MANNER TO OTHERS, EXCEPT TO MEET THE SPECIFIC PURPOSE FOR WHICH IT WAS DELIVERED.

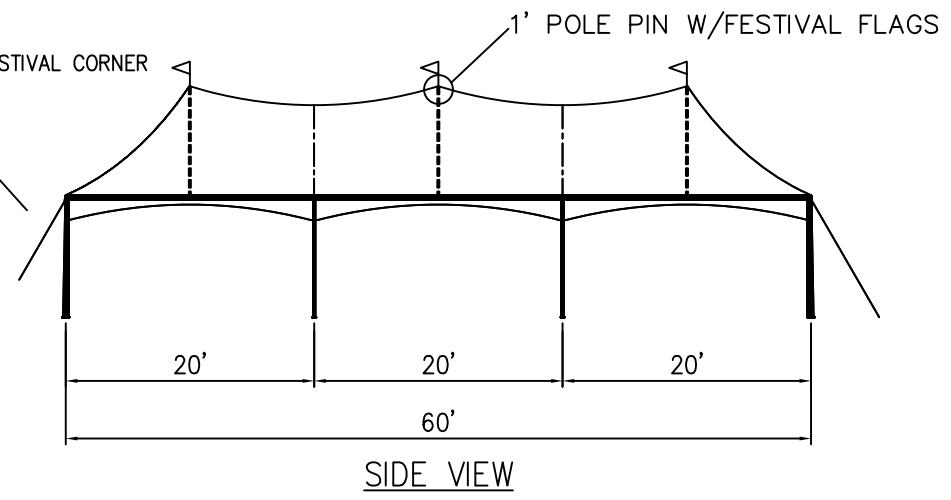
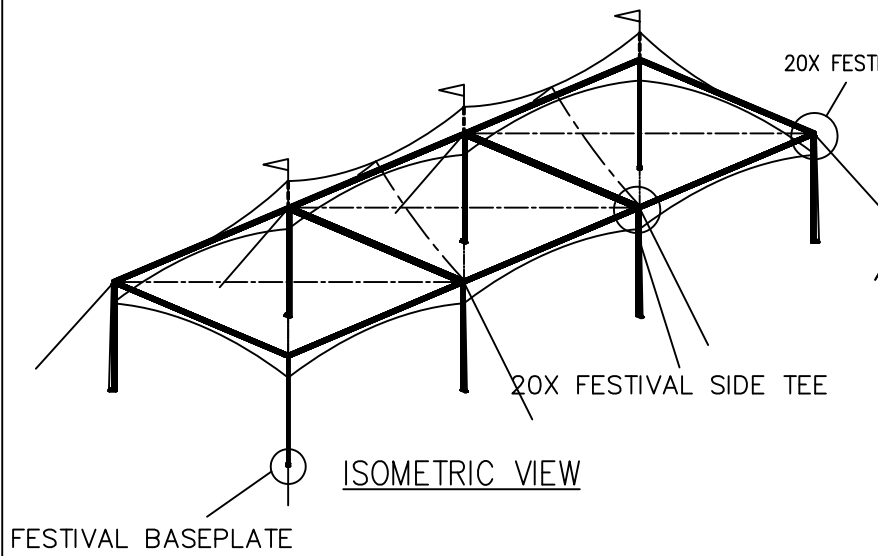
**AZTEC TENTS**  
 DESIGN & PRODUCTION  
 2665 COLUMBIA ST. TORRANCE, CA. 90503  
 (800) 228-3687 - FAX (310) 381-0722

**FESTIVAL FRAME**  
 FESTIVAL/STANDARD  
 20'W X 40'L FESTIVAL CANOPY  
 PART NUMBER: ZXXXXXXX

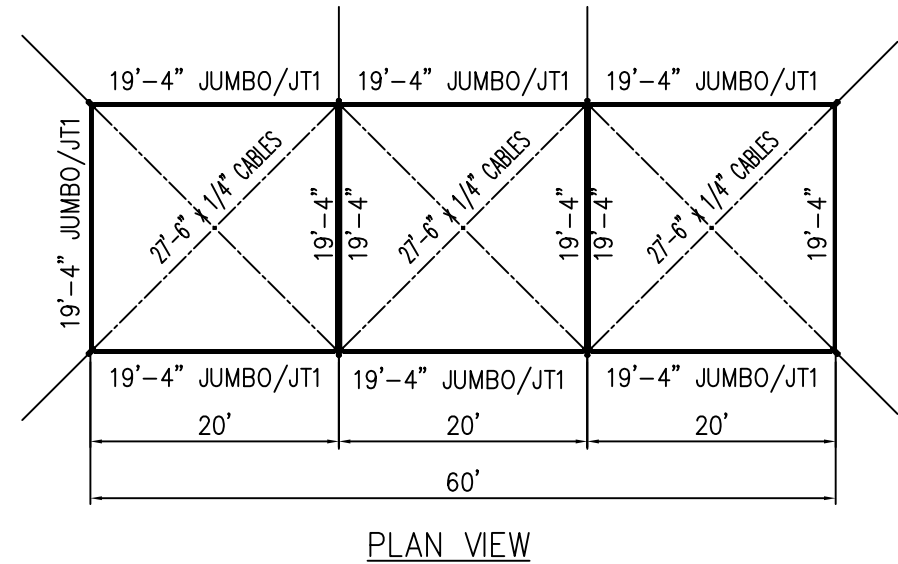
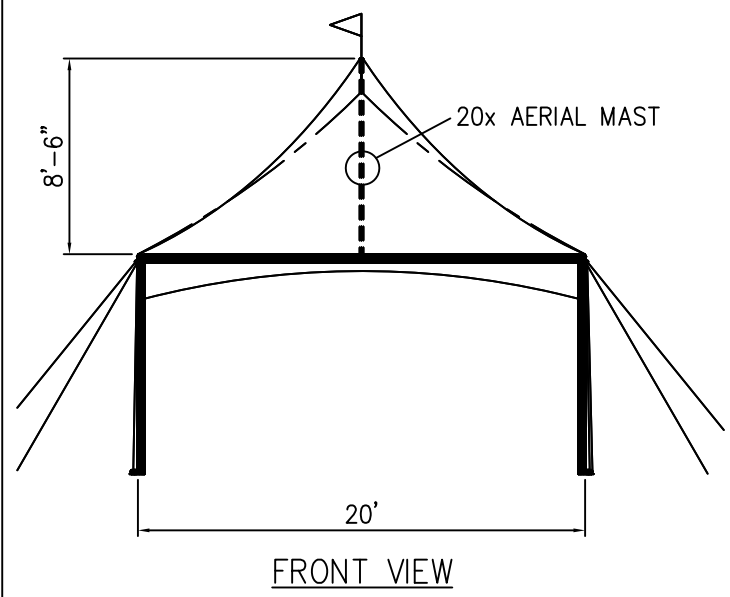
REVISION HISTORY			
REV.	DESCRIPTION	BY:	DATE:
1	DETAILS	LR	10/12/16

**CONFIDENTIAL**

ENGINEER: N/A      DATE: 7/8/2016  
 PAGE: 1 OF 1      DRAWN: HUGO.R



20' x 60' FESTIVAL FRAME TENT 3-PEAK



ALL DATA AND INFORMATION CONTAINED IN OR DISCLOSED BY THIS DOCUMENT IS CONFIDENTIAL AND PROPRIETARY INFORMATION OF AZTEC TENTS AND ALL RIGHTS THEREIN ARE EXPRESSLY RESERVED. BY ACCEPTING THIS MATERIAL THE RECIPIENT AGREES THAT THIS MATERIAL AND INFORMATION CONTAINED THEREIN IS HELD IN CONFIDENCE AND IN TRUST AND WILL NOT BE COPIED, REPRODUCED WHOLE OR IN PART, NOR ITS CONTENTS REVEALED IN ANY MANNER TO OTHERS, EXCEPT TO MEET THE SPECIFIC PURPOSE FOR WHICH IT WAS DELIVERED.

**AZTEC TENTS**  
 DESIGN & PRODUCTION  
 2665 COLUMBIA ST. TORRANCE, CA. 90503  
 (800) 228-3687 - FAX (310) 381-0722

**FESTIVAL FRAME**  
 FESTIVAL/STANDARD  
 20'W X 60'L FESTIVAL CANOPY  
 PART NUMBER: ZXXXXXXX

REVISION HISTORY			
REV.	DESCRIPTION	BY:	DATE:
1	DETAILS	L.R	10/12/16

**CONFIDENTIAL**

ENGINEER: N/A DATE: 7/8/2016  
 PAGE: 1 OF 1 DRAWN: HUGO.R