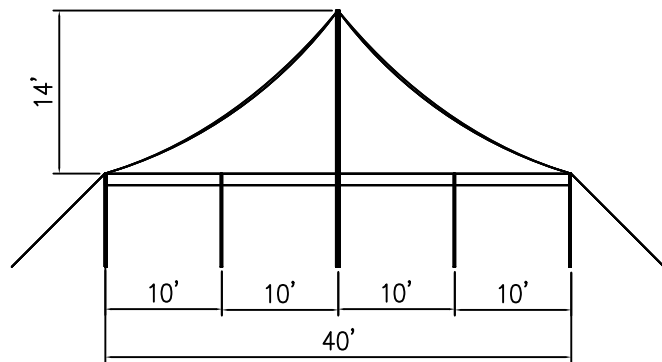
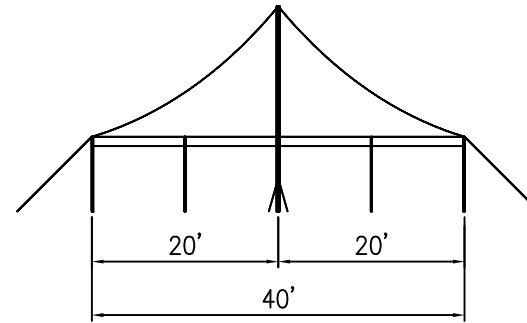


ISOMETRIC ELEVATION

SERIES 1500 TENT
40' x 40'

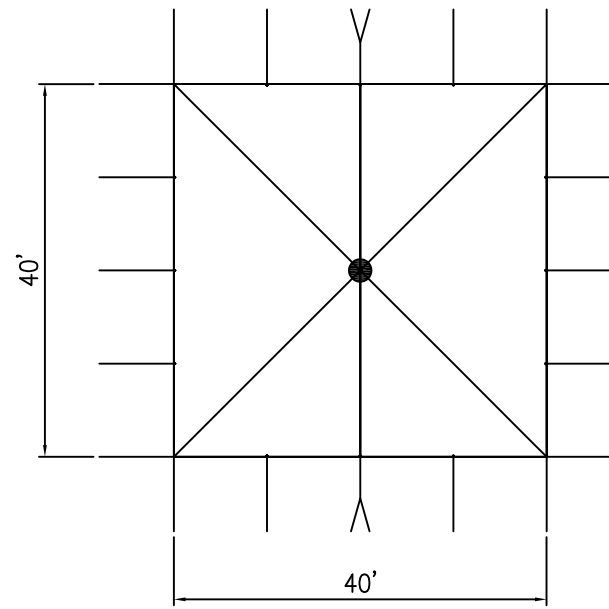


FRONT ELEVATION



SIDE ELEVATION

● = CENTER POLES NOT TO SCALE



PLAN ELEVATION

ALL DATA AND INFORMATION CONTAINED IN OR DISCLOSED BY THIS DOCUMENT IS CONFIDENTIAL AND PROPRIETARY INFORMATION OF AZTEC TENTS AND ALL RIGHTS THEREIN ARE EXPRESSLY RESERVED. BY ACCEPTING THIS MATERIAL THE RECIPIENT AGREES THAT THIS MATERIAL AND INFORMATION CONTAINED THEREIN IS HELD IN CONFIDENCE AND IN TRUST AND WILL NOT BE COPIED, REPRODUCED WHOLE OR IN PART, NOR ITS CONTENTS REVEALED IN ANY MANNER TO OTHERS, EXCEPT TO MEET THE SPECIFIC PURPOSE FOR WHICH IT WAS DELIVERED.



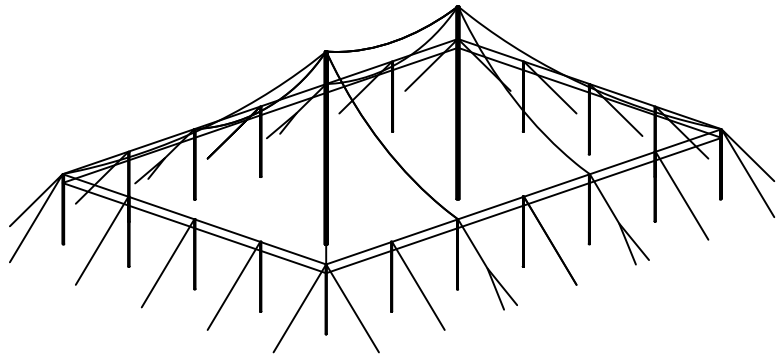
AZTEC TENTS
DESIGN & PRODUCTION
2665 COLUMBIA ST. TORRANCE, CA. 90503
(800) 228-3687 - FAX (310) 381-0722

SERIES 1500 FRAME
SERIES 1500 POLE/TENT/STANDARD
40'W X 40'L X 10' LEG SPACING
PART NUMBER: ZXXXXXXX

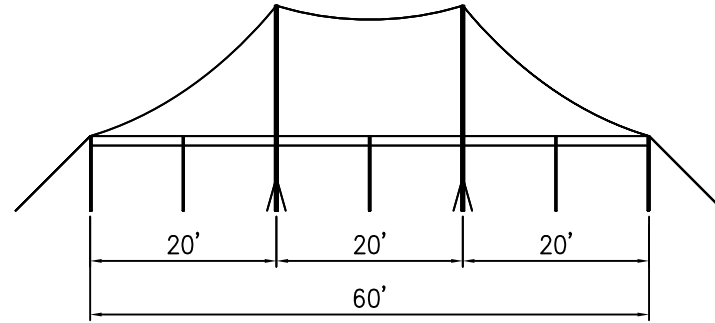
REVISION HISTORY		
DESCRIPTION	BY	DATE

CONFIDENTIAL

DATE: 4/14/2016
DRAWN: HUGO.R



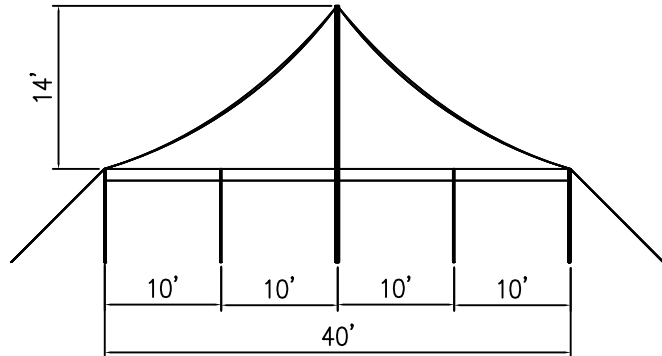
ISOMETRIC ELEVATION



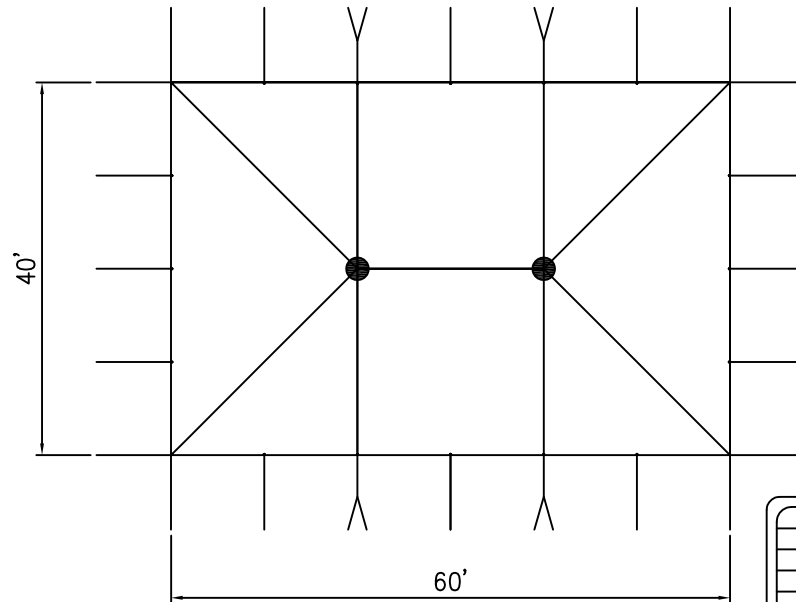
SIDE ELEVATION

SERIES 1500 TENT
40' x 60'

● = CENTER POLES NOT TO SCALE



FRONT ELEVATION



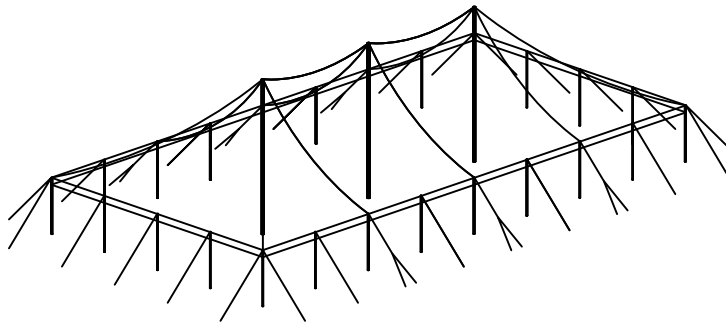
PLAN ELEVATION

ALL DATA AND INFORMATION CONTAINED IN OR DISCLOSED BY THIS DOCUMENT IS CONFIDENTIAL AND PROPRIETARY INFORMATION OF AZTEC TENTS AND ALL RIGHTS THEREIN ARE EXPRESSLY RESERVED. BY ACCEPTING THIS MATERIAL THE RECIPIENT AGREES THAT THIS MATERIAL AND INFORMATION CONTAINED THEREIN IS HELD IN CONFIDENCE AND IN TRUST AND WILL NOT BE COPIED, REPRODUCED WHOLE OR IN PART, NOR ITS CONTENTS REVEALED IN ANY MANNER TO OTHERS, EXCEPT TO MEET THE SPECIFIC PURPOSE FOR WHICH IT WAS DELIVERED.

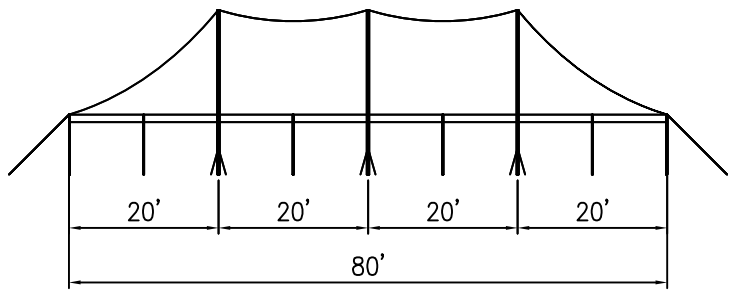
AZTEC TENTS
DESIGN & PRODUCTION
2665 COLUMBIA ST. TORRANCE, CA, 90503
(800) 228-3687 - FAX (310) 381-0722

SERIES 1500 FRAME
SERIES 1500 POLE/TENT/STANDARD
40' W X 60' L X 20' MIDDLES
PART NUMBER: ZXXXXXXX

REVISION HISTORY		
DESCRIPTION:	BY:	DATE:
CONFIDENTIAL		
DATE:	4/14/2016	
DRAWN:	HUGO.R	

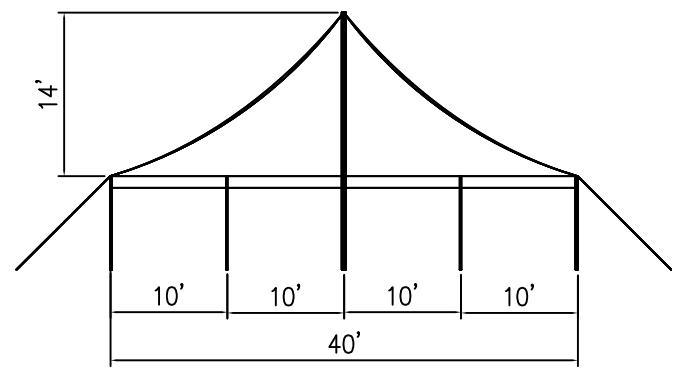


ISOMETRIC ELEVATION



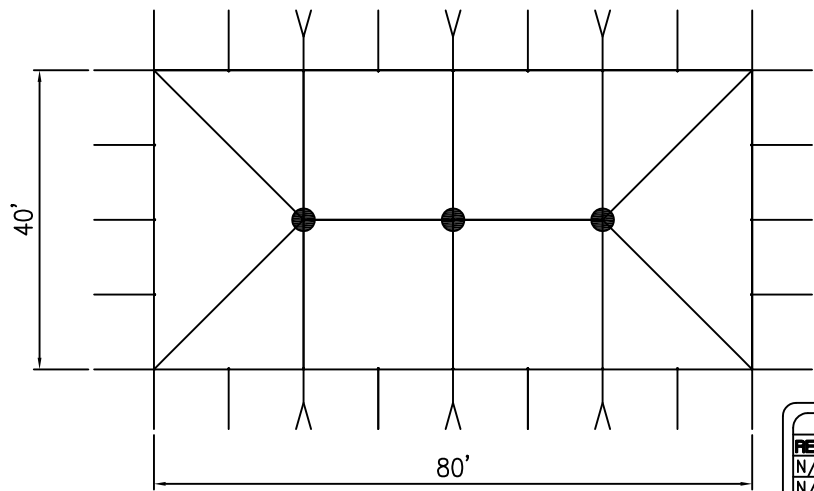
SIDE ELEVATION

SERIES 1500 TENT
40' x 80'



FRONT ELEVATION

● = CENTER POLES NOT TO SCALE



PLAN ELEVATION

ALL DATA AND INFORMATION CONTAINED IN OR DISCLOSED BY THIS DOCUMENT IS CONFIDENTIAL AND PROPRIETARY INFORMATION OF AZTEC TENTS AND ALL RIGHTS THEREIN ARE EXPRESSLY RESERVED. BY ACCEPTING THIS MATERIAL THE RECIPIENT AGREES THAT THIS MATERIAL AND INFORMATION CONTAINED THEREIN IS HELD IN CONFIDENCE AND IN TRUST AND WILL NOT BE COPIED, REPRODUCED WHOLE OR IN PART, NOR ITS CONTENTS REVEALED IN ANY MANNER TO OTHERS, EXCEPT TO MEET THE SPECIFIC PURPOSE FOR WHICH IT WAS DELIVERED.

AZTEC TENTS
DESIGN & PRODUCTION
2665 COLUMBIA ST. TORRANCE, CA. 90503
(800) 228-3687 -- FAX (310) 381-0722

SERIES 1500 FRAME
SERIES 1500 POLE TENT / STANDARD
40' W X 80' L X 20' MIDDLE
PART NUMBER: ZXXXXXXX

REVISION HISTORY			
REV.	DESCRIPTION	BY:	DATE:
N/A	N/A	N/A	N/A
N/A	N/A	N/A	N/A
N/A	N/A	N/A	N/A
N/A	N/A	N/A	N/A
N/A	N/A	N/A	N/A

CONFIDENTIAL

ENGINEER: N/A DATE: XX/XX/XXXX
PAGE: 1 OF 1 DRAWN: ELVIS