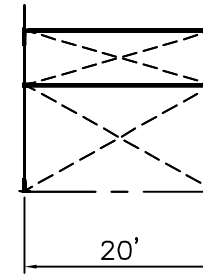
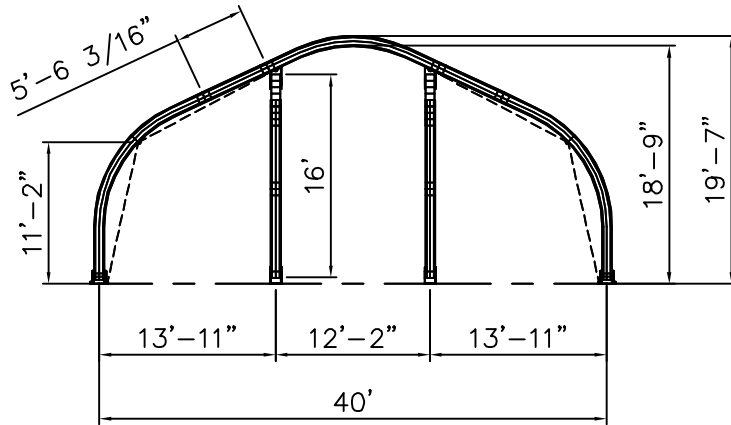
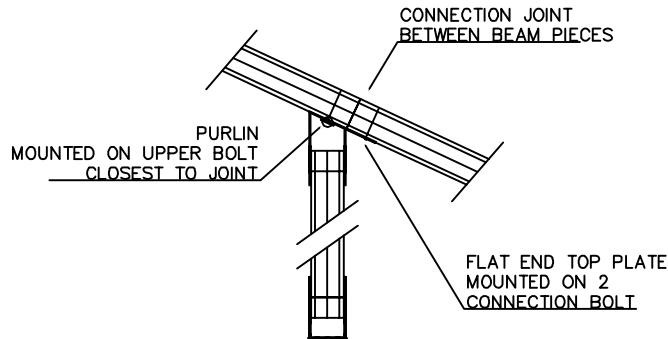


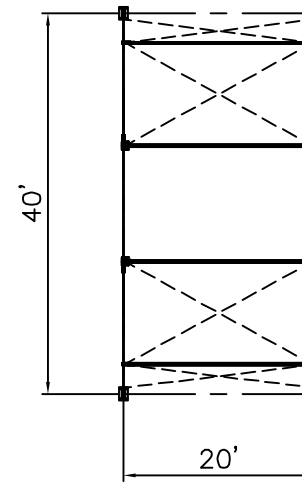
ISOMETRIC ELEVATION



SIDE ELEVATION



FRONT ELEVATION



PLAN ELEVATION



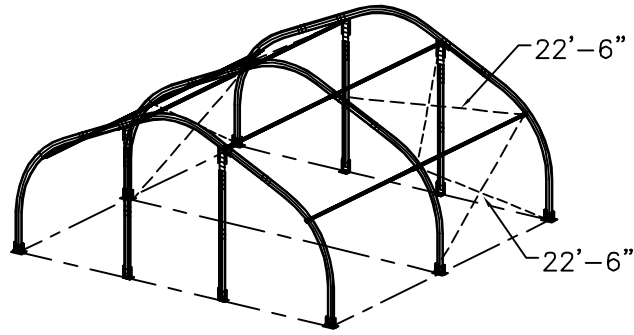
2685 COLUMBIA ST. TORRANCE, CA. 90503
(800) 228-3687 - FAX (310) 361-0722

ENGINEER CM
DRAWN TSN
DATE 05/19/03

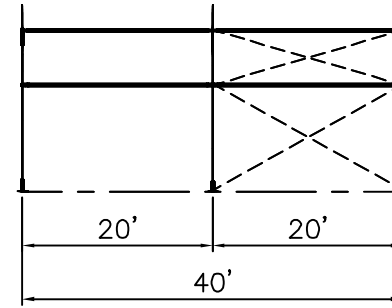
ALL DATA AND INFORMATION CONTAINED IN OR DISCLOSED BY THIS DOCUMENT IS CONFIDENTIAL AND PROPRIETARY INFORMATION OF AZTEC TENTS AND ALL RIGHTS THEREIN ARE RESERVED. THE RECIPIENT AGREES TO MAINTAIN THE CONFIDENTIALITY OF THIS INFORMATION AND WILL NOT BE COPIED, REPRODUCED WHOLE OR IN PART, NOR ITS CONTENTS REVEALED IN ANY MANNER TO OTHERS, WITHOUT THE WRITTEN CONSENT OF AZTEC TENTS. ACCEPT TO MEET THE SPECIFIC PURPOSE FOR WHICH IT WAS DELIVERED.

MID\BUILDING\40x\MID40x20 022208 1230

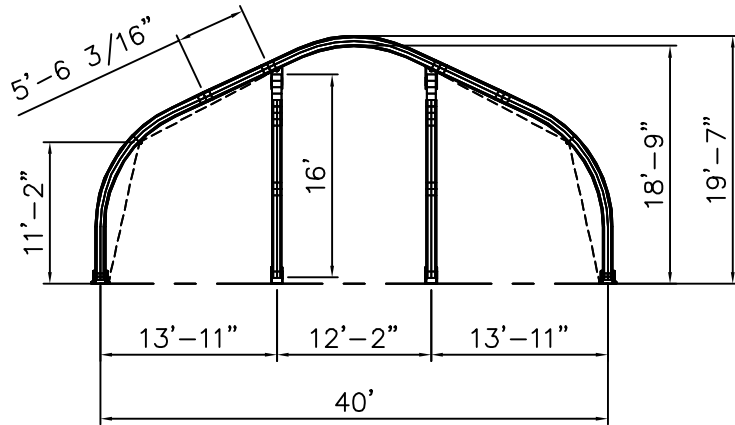
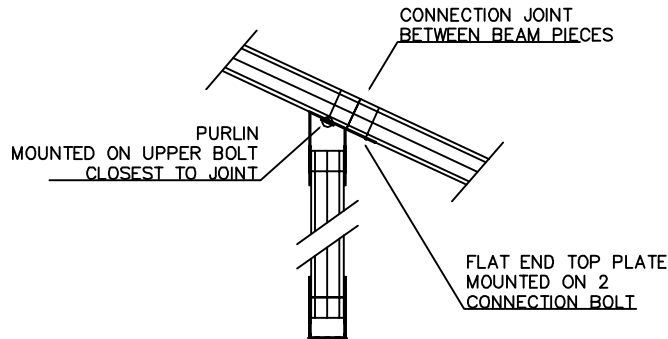
STANDARD	
MID BEAM STRUCTURE / STANDARD	
40' W x 20' L x 20' BAY	
PART DESCRIPTION	CODE
MID	AZ-4020-MID
SIZE	DRAWING NUMBER
	1



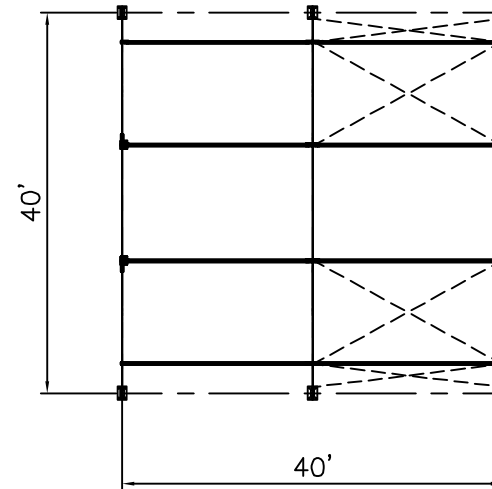
ISOMETRIC ELEVATION



SIDE ELEVATION



FRONT ELEVATION



PLAN ELEVATION



2685 COLUMBIA ST. TORRANCE, CA. 90503
(800) 228-3687 - FAX (310) 361-0722

STANDARD

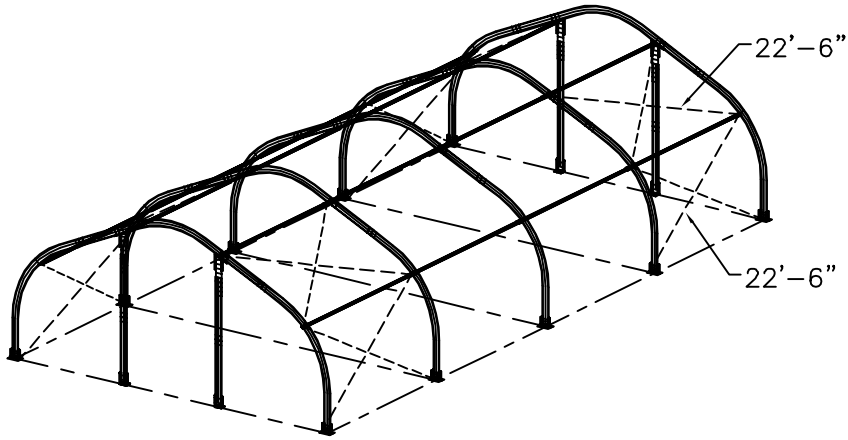
MID BEAM STRUCTURE / STANDARD
40' W x 40' L x 20' BAY

REV	1
DRAWING NUMBER	AZ-40-40-MID
CODE	SIZE
PART DESCRIPTION	MID

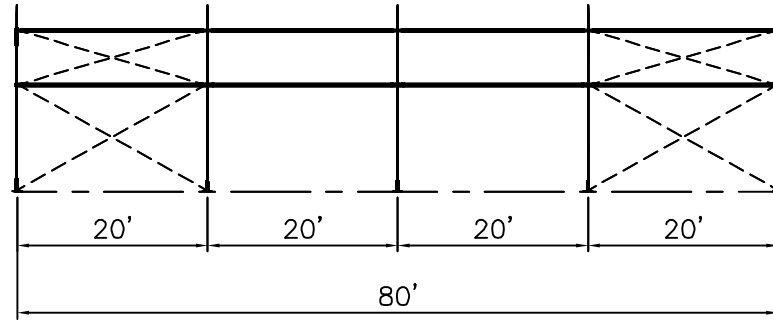
ENGINEER	CM
DRAWN	KT
DATE	10/22/07
CHECKED	-

ALL DATA AND INFORMATION CONTAINED IN OR DISCLOSED BY THIS DOCUMENT IS CONFIDENTIAL AND PROPRIETARY INFORMATION OF AZTEC TENTS AND ALL RIGHTS THEREIN ARE RESERVED. NO PART OF THIS DOCUMENT OR INFORMATION CONTAINED HEREIN IS TO BE REPRODUCED OR TRANSMITTED IN ANY FORM OR BY ANY MEANS, ELECTRONIC OR MECHANICAL, INCLUDING PHOTOCOPYING, RECORDING, OR BY ANY INFORMATION STORAGE AND RETRIEVAL SYSTEM, WITHOUT THE WRITTEN PERMISSION OF AZTEC TENTS. THE RECIPIENT AGREES TO HOLD THIS INFORMATION IN CONFIDENCE AND IN TRUST AND WILL NOT BE COPIED, REPRODUCED WHOLE OR IN PART, NOR ITS CONTENTS REVEALED IN ANY MANNER TO OTHERS, WITHOUT THE WRITTEN PERMISSION OF AZTEC TENTS. ACCEPT TO MEET THE SPECIFIC PURPOSE FOR WHICH IT WAS DELIVERED.

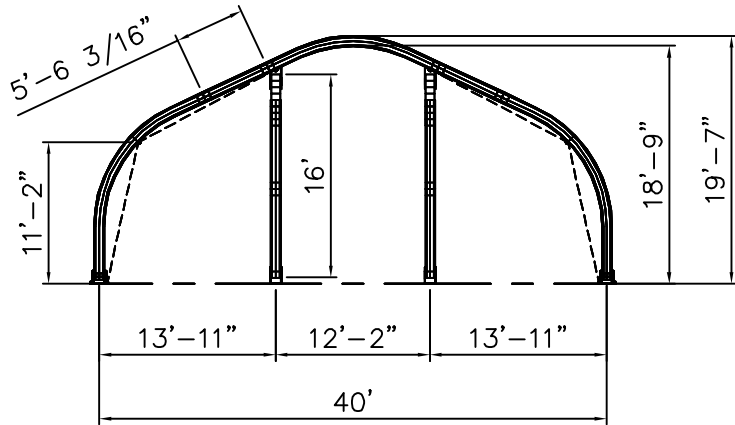
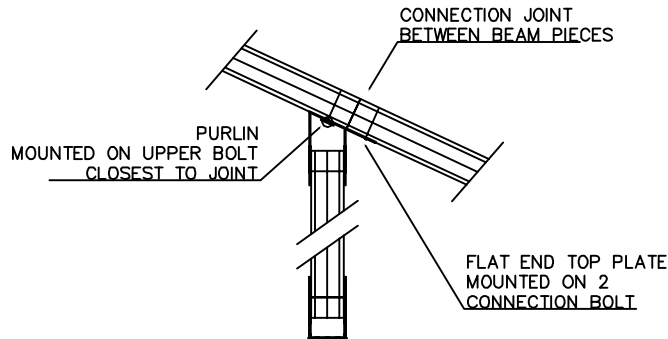
MID\BUILDING\40x\MID 40x40x20 022208 1225



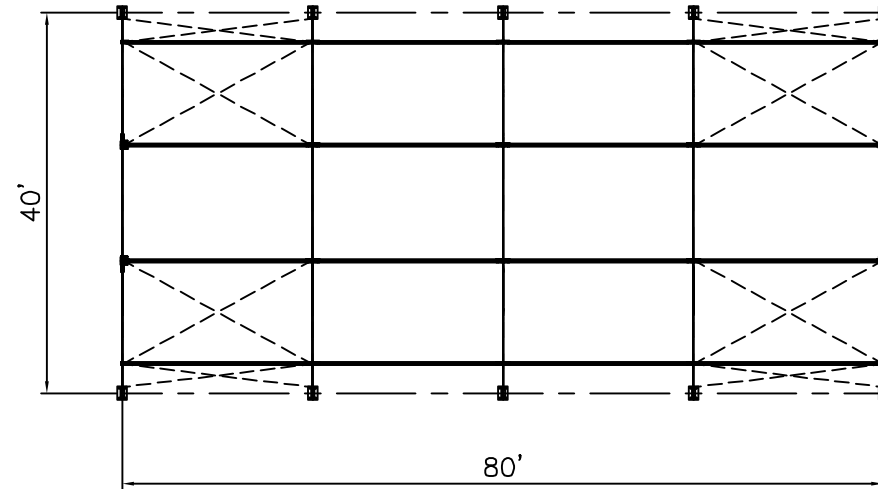
ISOMETRIC ELEVATION



SIDE ELEVATION



FRONT ELEVATION



PLAN ELEVATION



2685 COLUMBIA ST. TORRANCE, CA. 90503
(800) 228-3687 - FAX (310) 361-0722

STANDARD

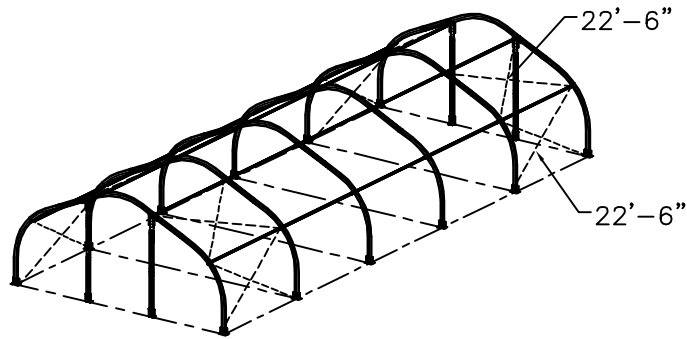
MID BEAM STRUCTURE / STANDARD
40' W x 80' L x 20' BAY

REV	
SIZE	
CODE	
PART DESCRIPTION	
DRAWING NUMBER	
	1

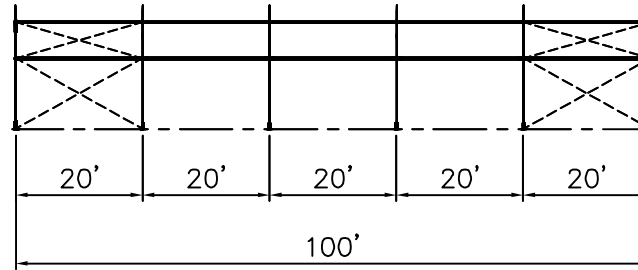
ENGINEER	CM
DRAWN	TSN
DATE	05/19/03
CHECKED	-

ALL DATA AND INFORMATION CONTAINED IN OR DISCLOSED BY THIS DOCUMENT IS CONFIDENTIAL AND PROPRIETARY INFORMATION OF AZTEC TENTS AND ALL RIGHTS THEREIN ARE RESERVED. THE RECIPIENT AGREES TO MAINTAIN THE CONFIDENTIALITY AND INFORMATION CONTAINED HEREIN IS HELD IN CONFIDENCE AND IN TRUST AND WILL NOT BE COPIED, REPRODUCED WHOLE OR IN PART, NOR ITS CONTENTS REVEALED IN ANY MANNER TO OTHERS, WITHOUT THE WRITTEN CONSENT OF AZTEC TENTS, INC. ACCEPT TO MEET THE SPECIFIC PURPOSE FOR WHICH IT WAS DELIVERED.

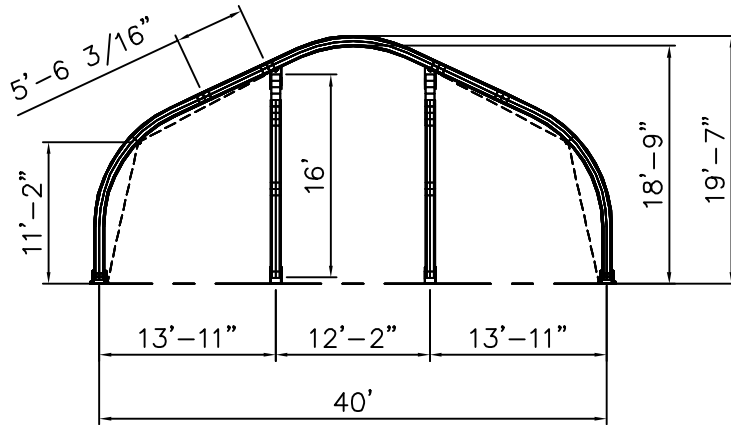
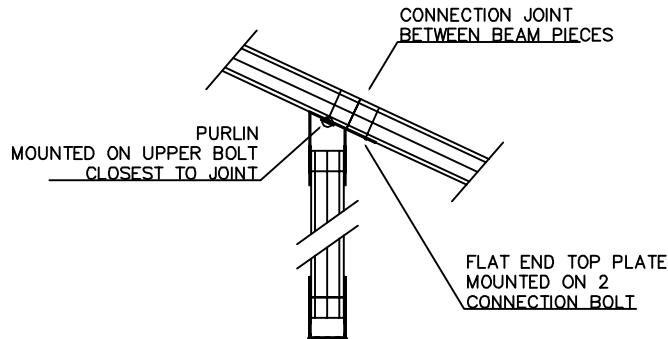
MID\BUILDING\40x\MID40x80x20 022208 1325



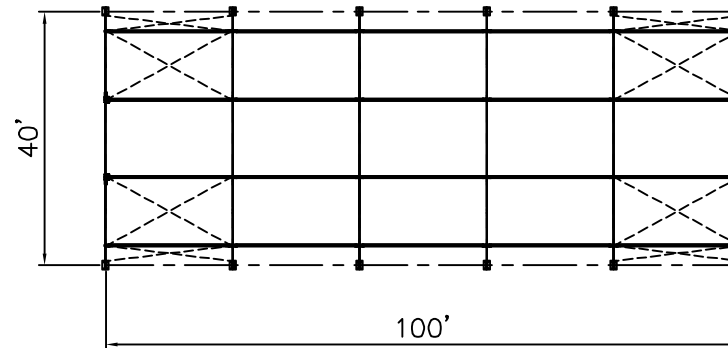
ISOMETRIC ELEVATION



SIDE ELEVATION



FRONT ELEVATION



PLAN ELEVATION



2685 COLUMBIA ST. TORRANCE, CA. 90503
(800) 228-3687 - FAX (310) 361-0722

STANDARD

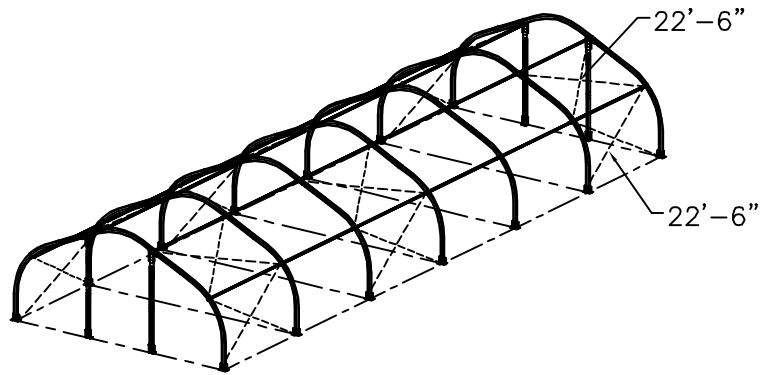
MID BEAM STRUCTURE / STANDARD
40' W x 100' L x 20' BAY

REV			
SIZE			
CODE			
PART DESCRIPTION			
DRAWING NUMBER			
	MID	AZ-40100-MID	1

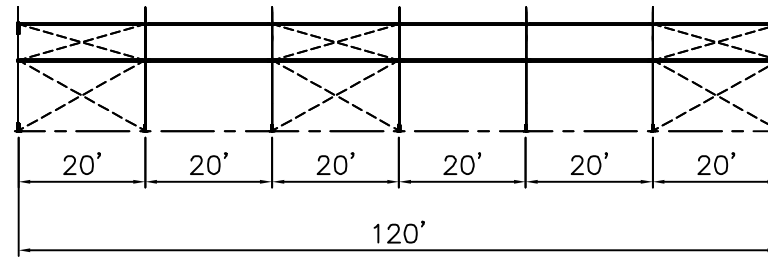
ENGINEER	CM	DRAWN	TSN	DATE	05/19/03
CHECKED	-				

ALL DATA AND INFORMATION CONTAINED IN OR DISCLOSED BY THIS DOCUMENT IS CONFIDENTIAL AND PROPRIETARY INFORMATION OF AZTEC TENTS AND ALL RIGHTS THEREIN ARE RESERVED. THE RECIPIENT AGREES TO MAINTAIN ALL INFORMATION CONTAINED HEREIN IS HELD IN CONFIDENCE AND IN TRUST AND WILL NOT BE COPIED, REPRODUCED WHOLE OR IN PART, NOR ITS CONTENTS REVEALED IN ANY MANNER TO OTHERS, WITHOUT THE WRITTEN CONSENT OF AZTEC TENTS. THE RECIPIENT ACCEPTS THE SPECIFIC PURPOSE FOR WHICH IT WAS DELIVERED.

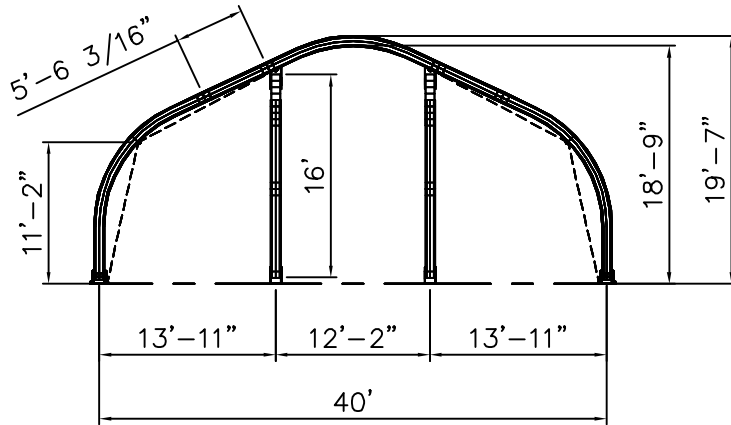
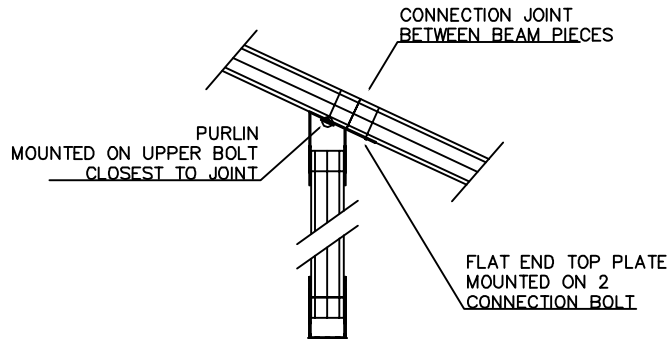
MID\BUILDING\40x\40x100x20	022208	1330
----------------------------	--------	------



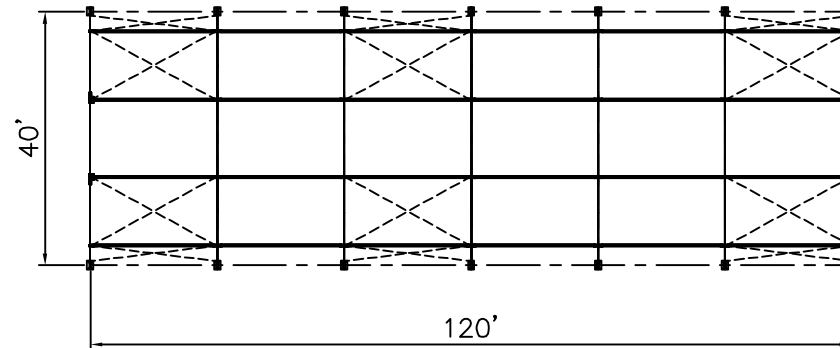
ISOMETRIC ELEVATION



SIDE ELEVATION



FRONT ELEVATION



PLAN ELEVATION



2685 COLUMBIA ST. TORRANCE, CA. 90503
(800) 228-3687 - FAX (310) 381-0722

S T A N D A R D	
MID BEAM STRUCTURE / STANDARD	
40' W x 120' L x 20' BAY	
PART DESCRIPTION	SIZE
MID	AZ-40120-MID
ENGINEER	DRAWING NUMBER
CM	1

<p>ALL DATA AND INFORMATION CONTAINED IN OR DISCLOSED BY THIS DOCUMENT IS CONFIDENTIAL AND PROPRIETARY INFORMATION OF AZTEC TENTS AND ALL RIGHTS THEREIN ARE RESERVED. THE RECIPIENT AGREES TO HOLD THE INFORMATION CONTAINED HEREIN IN CONFIDENCE AND IN TRUST AND WILL NOT BE COPIED, REPRODUCED WHOLE OR IN PART, NOR ITS CONTENTS REVEALED IN ANY MANNER TO OTHERS, WITHOUT THE WRITTEN CONSENT OF AZTEC TENTS, INC. ACCEPT TO MEET THE SPECIFIC PURPOSE FOR WHICH IT WAS DELIVERED.</p>	ENGINEER	DATE
	CM	04/17/07
	CHECKED	022208
		1310