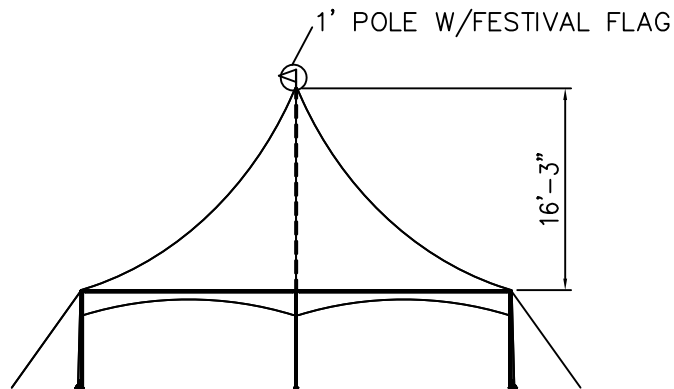
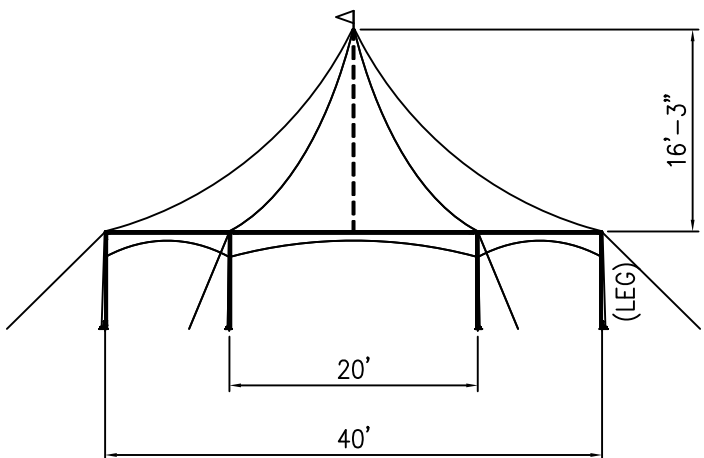


ISOMETRIC VIEW

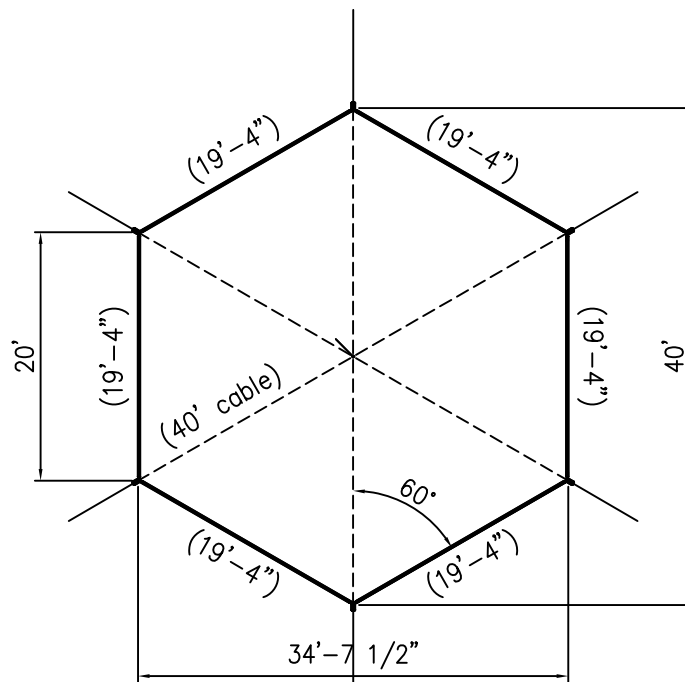


SIDE VIEW

40' HEXAGON FESTIVAL FRAME



FRONT VIEW



PLAN VIEW

ALL DATA AND INFORMATION CONTAINED IN OR DISCLOSED BY THIS DOCUMENT IS CONFIDENTIAL AND PROPRIETARY INFORMATION OF AZTEC TENTS AND ALL RIGHTS THEREIN ARE EXPRESSLY RESERVED. BY ACCEPTING THIS MATERIAL THE RECIPIENT AGREES THAT THIS MATERIAL AND INFORMATION CONTAINED THEREIN IS HELD IN CONFIDENCE AND IN TRUST AND WILL NOT BE COPIED, REPRODUCED WHOLE OR IN PART, NOR ITS CONTENTS REVEALED IN ANY MANNER TO OTHERS, EXCEPT TO MEET THE SPECIFIC PURPOSE FOR WHICH IT WAS DELIVERED.

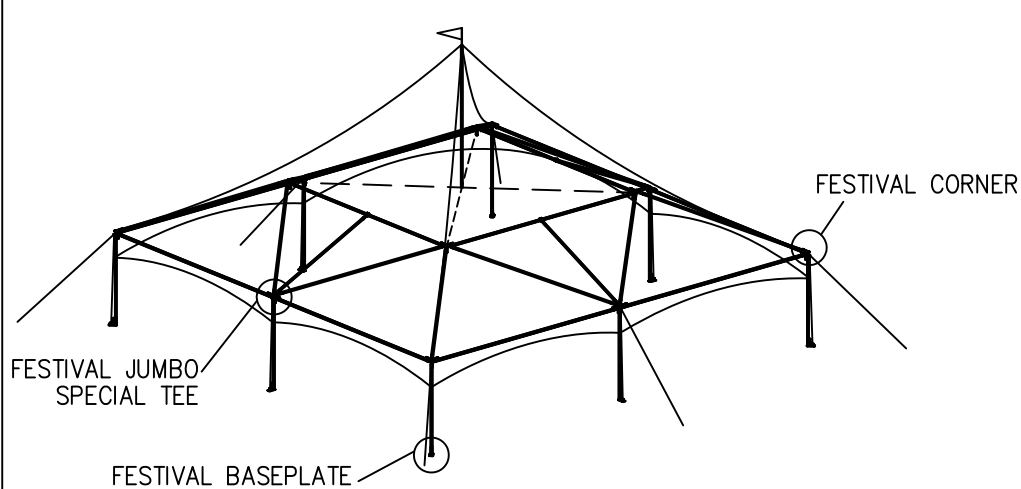
**AZTEC TENTS**  
 DESIGN & PRODUCTION  
 2665 COLUMBIA ST. TORRANCE, CA. 90503  
 (800) 228-3687 - FAX (310) 381-0722

**FESTIVAL HEX**  
 FESTIVAL CANOPY/STANDARD  
 40'W FESTIVAL HEX  
 PART NUMBER: ZXXXXXXX

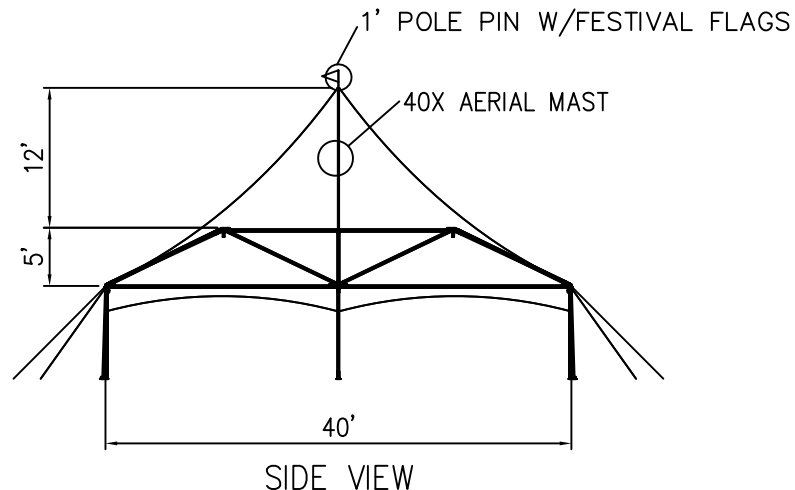
REVISION HISTORY			
REV.	DESCRIPTION	BY:	DATE:
1	DETAIL	LR	10/16

**CONFIDENTIAL**

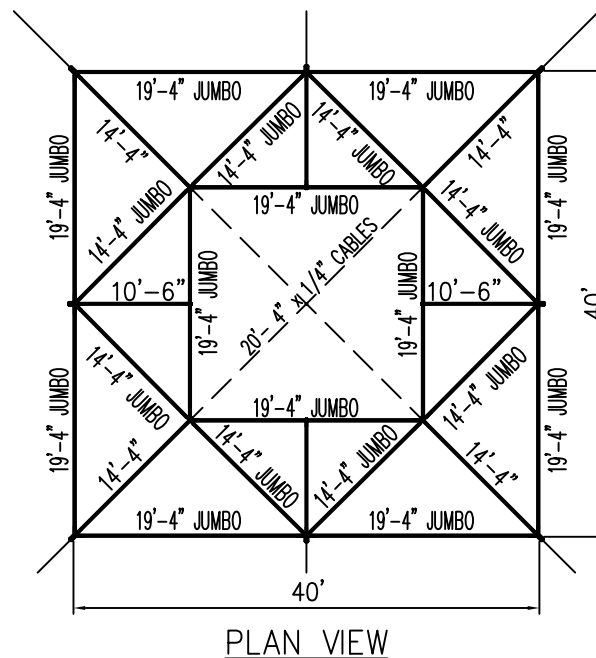
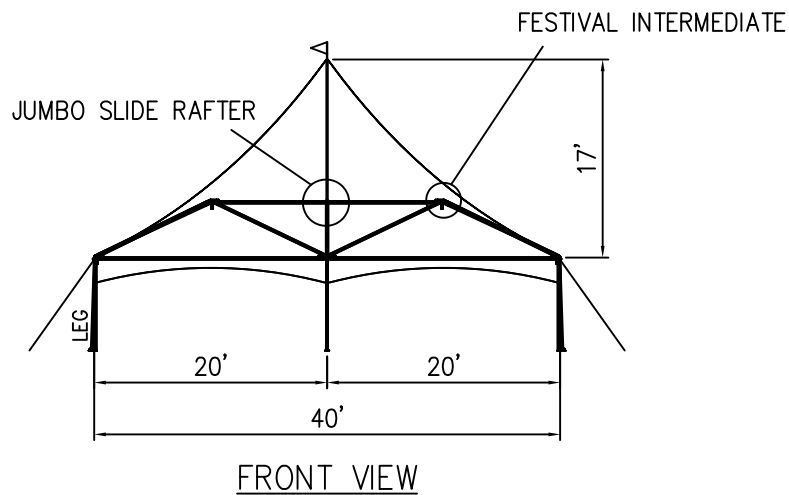
ENGINEER:	N/A	DATE:	4/29/2016
PAGE:	1 OF 1	DRAWN:	HUGO.R



ISOMETRIC VIEW



40' x 40' FESTIVAL FRAME TENT



ALL DATA AND INFORMATION CONTAINED IN OR DISCLOSED BY THIS DOCUMENT IS CONFIDENTIAL AND PROPRIETARY INFORMATION OF AZTEC TENTS AND ALL RIGHTS THEREIN ARE EXPRESSLY RESERVED. BY ACCEPTING THIS MATERIAL THE RECIPIENT AGREES THAT THIS MATERIAL AND INFORMATION CONTAINED THEREIN IS HELD IN CONFIDENCE AND IN TRUST AND WILL NOT BE COPIED, REPRODUCED WHOLE OR IN PART, NOR ITS CONTENTS REVEALED IN ANY MANNER TO OTHERS, EXCEPT TO MEET THE SPECIFIC PURPOSE FOR WHICH IT WAS DELIVERED.

**AZTEC TENTS**  
 DESIGN & PRODUCTION  
 2665 COLUMBIA ST. TORRANCE, CA. 90503  
 (800) 228-3687 - FAX (310) 381-0722

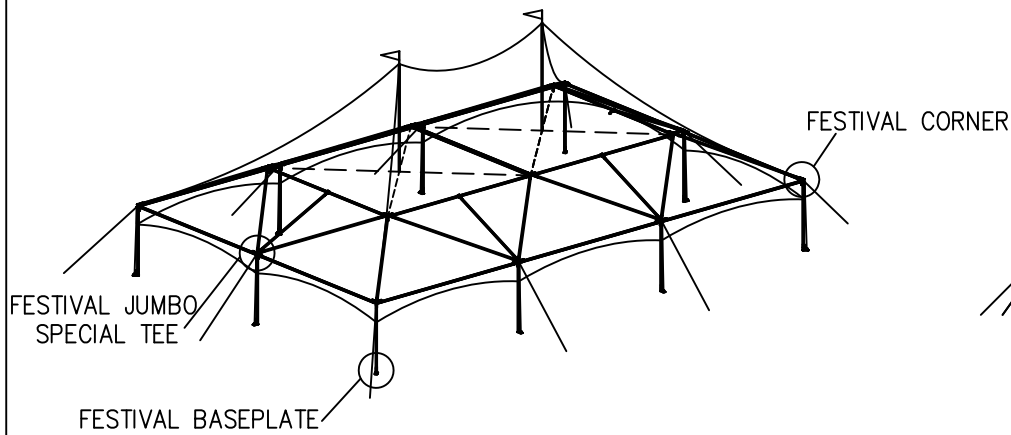
**FESTIVAL FRAME**  
 FESTIVAL/STANDARD  
 40'W X 40'L FESTIVAL CANOPY  
 PART NUMBER: ZXXXXXXX

REVISION HISTORY		
DESCRIPTION	BY:	DATE:
DETAIL	LR	10/12/16

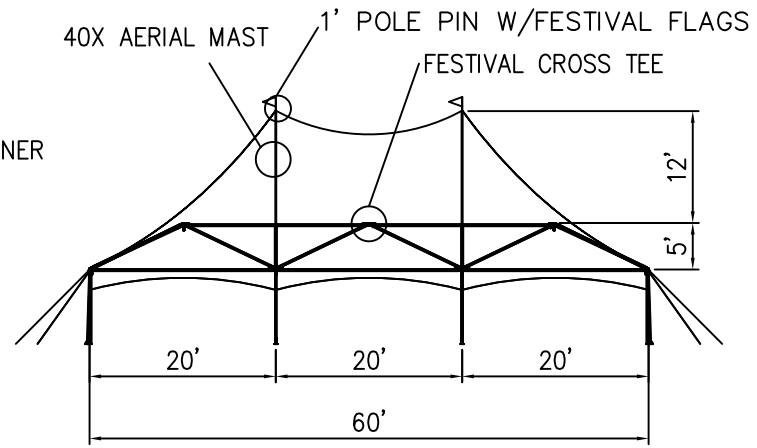
**CONFIDENTIAL**

ENGINEER:	N/A	DATE:	7/8/2016
DRAWN:	HUGO.R		

1 OF 1

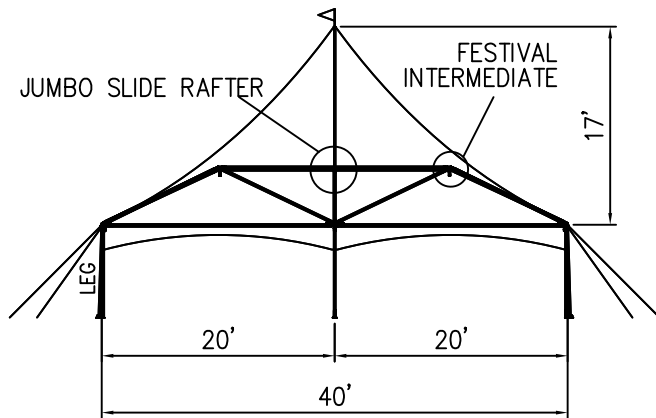


ISOMETRIC VIEW

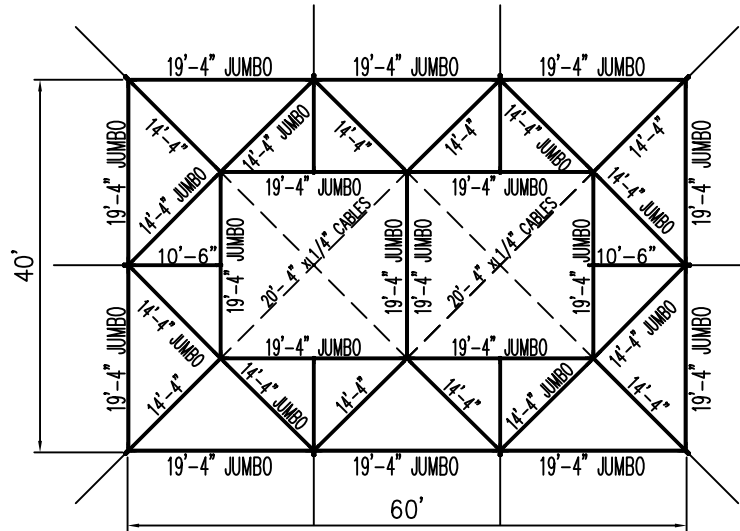


SIDE VIEW

40' x 60' FESTIVAL FRAME TENT



FRONT VIEW



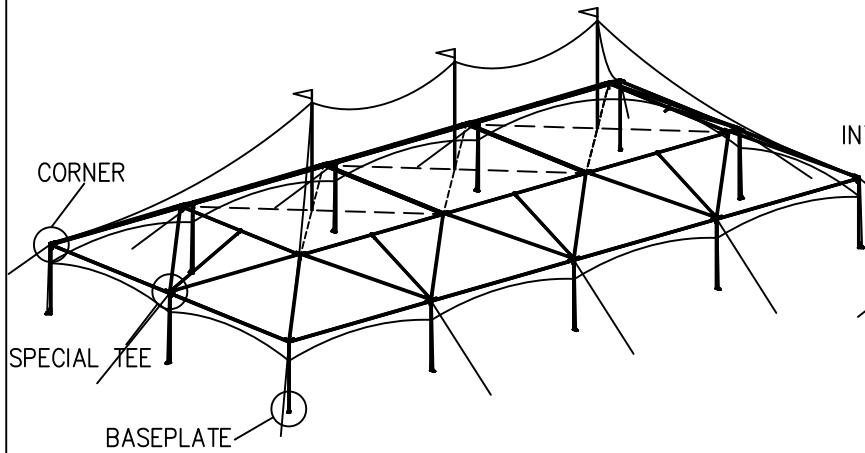
PLAN VIEW

ALL DATA AND INFORMATION CONTAINED IN OR DISCLOSED BY THIS DOCUMENT IS CONFIDENTIAL AND PROPRIETARY INFORMATION OF AZTEC TENTS AND ALL RIGHTS THEREIN ARE EXPRESSLY RESERVED. BY ACCEPTING THIS MATERIAL THE RECIPIENT AGREES THAT THIS MATERIAL AND INFORMATION CONTAINED THEREIN IS HELD IN CONFIDENCE AND IN TRUST AND WILL NOT BE COPIED, REPRODUCED WHOLE OR IN PART, NOR ITS CONTENTS REVEALED IN ANY MANNER TO OTHERS, EXCEPT TO MEET THE SPECIFIC PURPOSE FOR WHICH IT WAS DELIVERED.

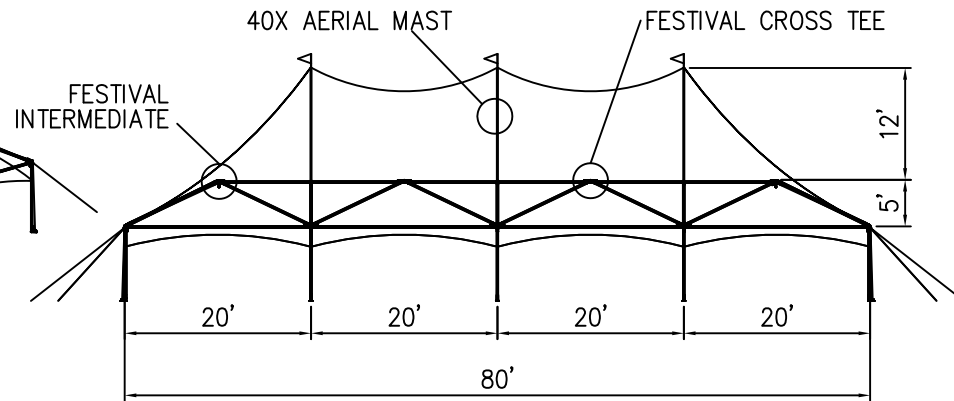
**AZTEC TENTS**  
 DESIGN & PRODUCTION  
 2665 COLUMBIA ST. TORRANCE, CA. 90503  
 (800) 228-3687 - FAX (310) 381-0722

**FESTIVAL FRAME**  
 FESTIVAL /STANDARD  
 40'W X 60'L FESTIVAL CANOPY  
 PART NUMBER: ZXXXXXXX

REVISION HISTORY		
DESCRIPTION:	BY:	DATE:
DETAILS	L/R	10/12/16
<b>CONFIDENTIAL</b>		
ENGINEER:	N/A	DATE: 7/8/2016
1 OF 1	DRAWN:	HUGO.R

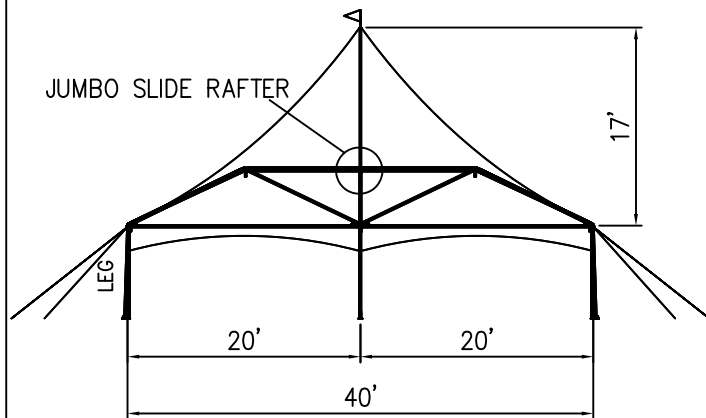


ISOMETRIC VIEW

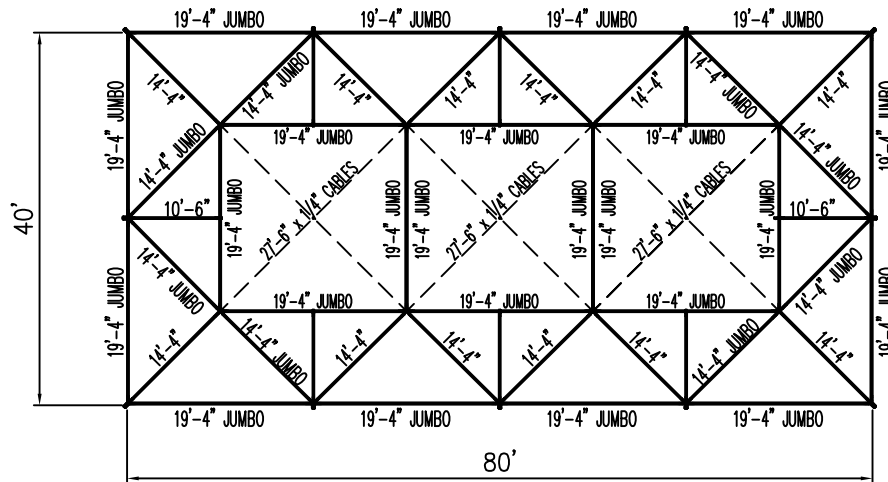


SIDE VIEW

40' x 80' FESTIVAL CANOPY



END VIEW



PLAN VIEW

ALL DATA AND INFORMATION CONTAINED IN OR DISCLOSED BY THIS DOCUMENT IS CONFIDENTIAL AND PROPRIETARY INFORMATION OF AZTEC TENTS AND ALL RIGHTS THEREIN ARE EXPRESSLY RESERVED. BY ACCEPTING THIS MATERIAL THE RECIPIENT AGREES THAT THIS MATERIAL AND INFORMATION CONTAINED THEREIN IS HELD IN CONFIDENCE AND IN TRUST AND WILL NOT BE COPIED, REPRODUCED WHOLE OR IN PART, NOR ITS CONTENTS REVEALED IN ANY MANNER TO OTHERS, EXCEPT TO MEET THE SPECIFIC PURPOSE FOR WHICH IT WAS DELIVERED.

**AZTEC TENTS**  
 DESIGN & PRODUCTION  
 2665 COLUMBIA ST. TORRANCE, CA. 90503  
 (800) 228-3687 - FAX (310) 381-0722

**PRODUCT**  
 FESTIVAL/STANDARD  
 40' X 80' L FESTIVAL CANOPY  
 PART NUMBER: ZXXXXXXX

REVISION HISTORY			
REV#	DESCRIPTION	BY	DATE

**CONFIDENTIAL**

ENGINEER:	N/A	DATE:	4/25/2016
PAGES:	1 OF 1	DRAWN:	HUGO.R