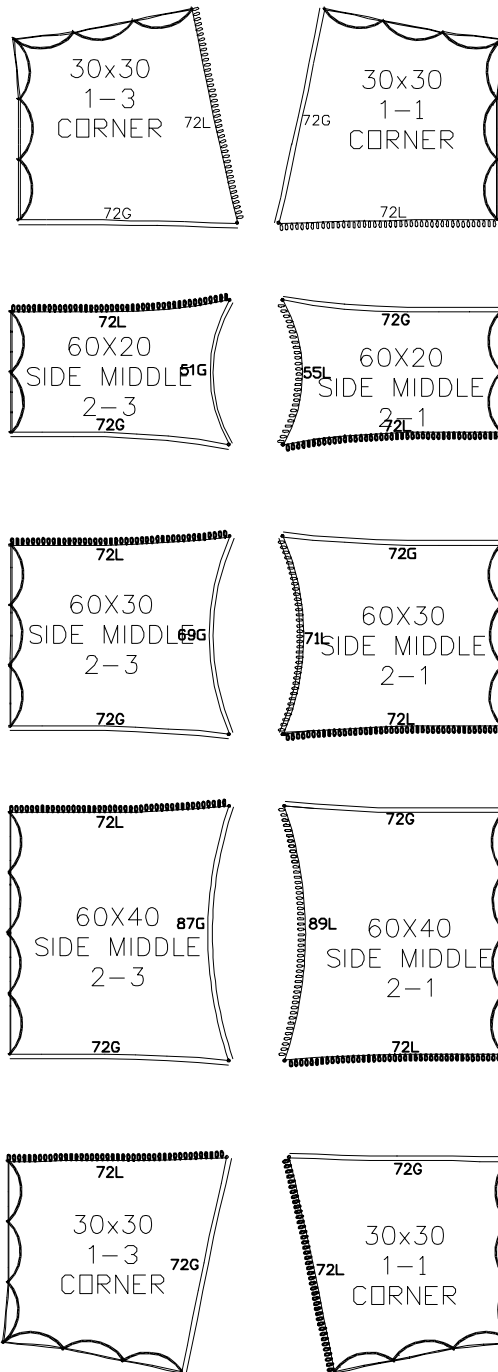


Legend Series 60x Layout

L = LACELINE
G = GROMMET



OUTSIDE

ALL DATA AND INFORMATION CONTAINED IN OR DISCLOSED BY THIS DOCUMENT IS CONFIDENTIAL AND PROPRIETARY INFORMATION OF AZTEC TENT AND EVENT INC. AND ALL RIGHTS THEREIN ARE EXPRESSLY RESERVED. BY ACCEPTING THIS MATERIAL THE RECIPIENT AGREES THAT THIS MATERIAL AND INFORMATION CONTAINED THEREIN IS HELD IN CONFIDENCE AND IN TRUST AND WILL NOT BE COPIED, REPRODUCED WHOLE OR IN PART, NOR ITS CONTENTS REVEALED IN ANY MANNER TO OTHERS, EXCEPT TO MEET THE SPECIFIC PURPOSE FOR WHICH IT WAS DELIVERED.

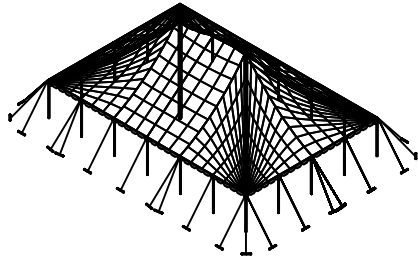


540 HAWAII AVE. TORRANCE, CA. 90503
(800) 258-7368 - (310) 328-5060 - FAX (310) 328-5356

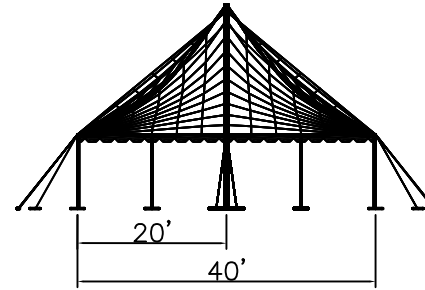
STANDARD
PATTERN LOCATIONS

60-80-100 LEGEND POLE / STANDARD

ENGINEER		DRAWN		PART DESCRIPTION	CODE	SIZE	DRAWING NUMBER	REV
CM	TTR	DATE	04-05					
60-80-100\PATTERNS		030306 1740						

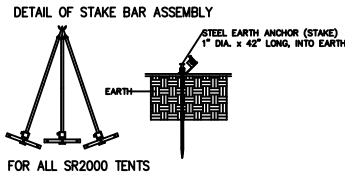


ISOMETRIC VIEW

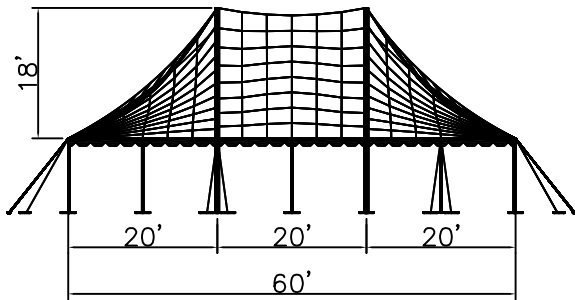


SIDE VIEW

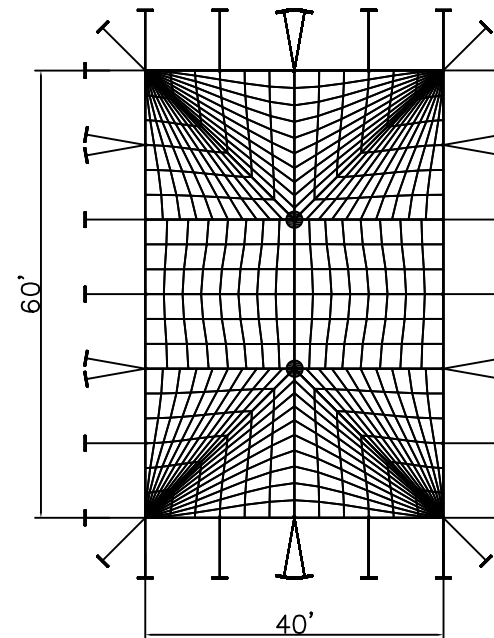
LEGEND 40-50-60
60' x 40'



● = CENTER POLES NOT TO SCALE



END VIEW



PLAN VIEW

ALL DATA AND INFORMATION CONTAINED IN OR DISCLOSED BY THIS DOCUMENT IS CONFIDENTIAL AND PROPRIETARY INFORMATION OF AZTEC TENTS AND ALL RIGHTS THEREIN ARE EXPRESSLY RESERVED. BY ACCEPTING THIS MATERIAL THE RECIPIENT AGREES THAT THIS MATERIAL AND INFORMATION CONTAINED THEREIN IS HELD IN CONFIDENCE AND IN TRUST AND WILL NOT BE COPIED, REPRODUCED WHOLE OR IN PART, NOR ITS CONTENTS REVEALED, IN ANY MANNER TO ANY OTHERS, WITHOUT MEETING THE SPECIFIC PURPOSE FOR WHICH IT WAS DELIVERED.

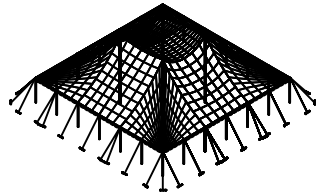
AZTEC TENTS
DESIGN & PRODUCTION
2665 COLUMBIA ST. TORRANCE, CA. 90503
(800) 228-3687 - FAX (310) 381-0722

LEGEND SERIES FRAME
LEGEND POLE/STANDARD
60' W X 40' L
PART NUMBER: ZXXXXXX

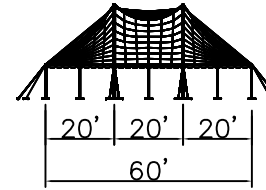
REVISION HISTORY			
REV.	DESCRIPTION:	BY:	DATE:

CONFIDENTIAL

ENGINEER: N/A	DATE: 5/26/2016
PAGE: 1 OF 1	DRAWN: HUGO.R

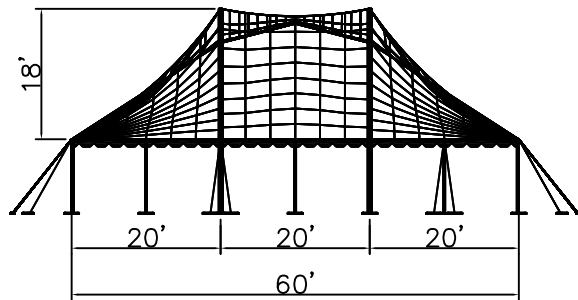
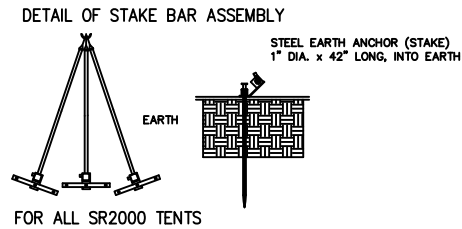


ISOMETRIC VIEW



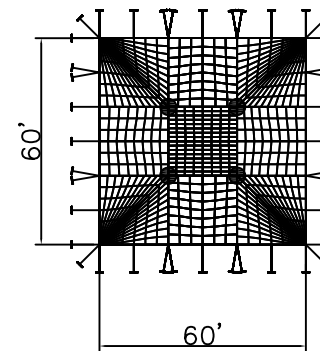
SIDE VIEW

LEGEND 40-50-60
60' x 60'



END VIEW

● = CENTER POLES NOT TO SCALE



PLAN VIEW

ALL DATA AND INFORMATION CONTAINED IN OR DISCLOSED BY THIS DOCUMENT IS CONFIDENTIAL AND PROPRIETARY INFORMATION OF AZTEC TENTS AND ALL RIGHTS THEREIN ARE EXPRESSLY RESERVED. BY ACCEPTING THIS MATERIAL THE RECIPIENT AGREES THAT THIS MATERIAL AND INFORMATION CONTAINED THEREIN IS HELD IN CONFIDENCE AND IN TRUST AND WILL NOT BE COPIED, REPRODUCED WHOLE OR IN PART, NOR ITS CONTENTS REVEALED, IN ANY MANNER TO ANY OTHERS, WITHOUT THE SPECIFIC PURPOSE FOR WHICH IT WAS DELIVERED.

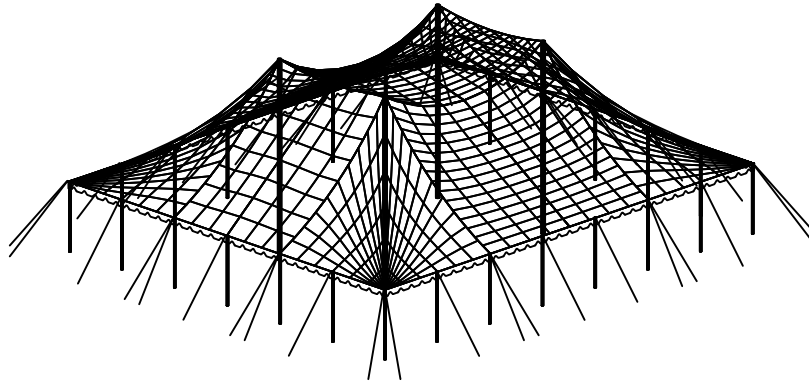
AZTEC TENTS
DESIGN & PRODUCTION
2665 COLUMBIA ST. TORRANCE, CA. 90503
(800) 228-3687 - FAX (310) 381-0722

LEGEND SERIES FRAME
LEGEND/STANDARD
60'W X 60'L X 20'-30' MIDDLES
PART NUMBER: ZXXXXXXX

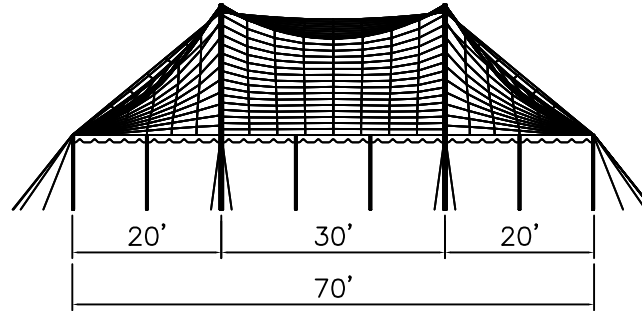
REVISION HISTORY			
REV.	DESCRIPTION:	BY:	DATE:

CONFIDENTIAL

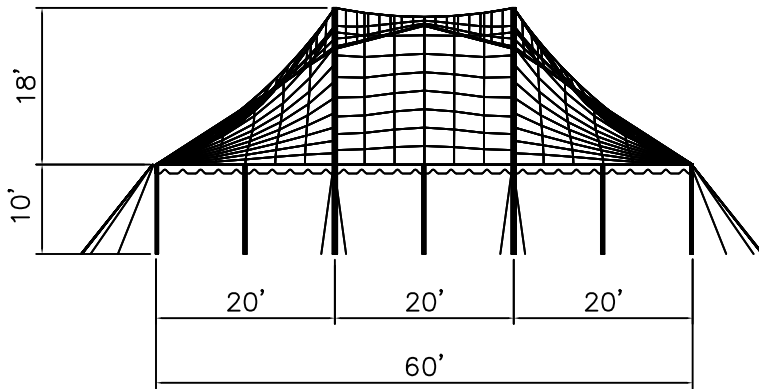
ENGINEER: N/A	DATE: 5/27/2016
PAGE: 1 OF 1	DRAWN: HUGO.R



ISOMETRIC VIEW

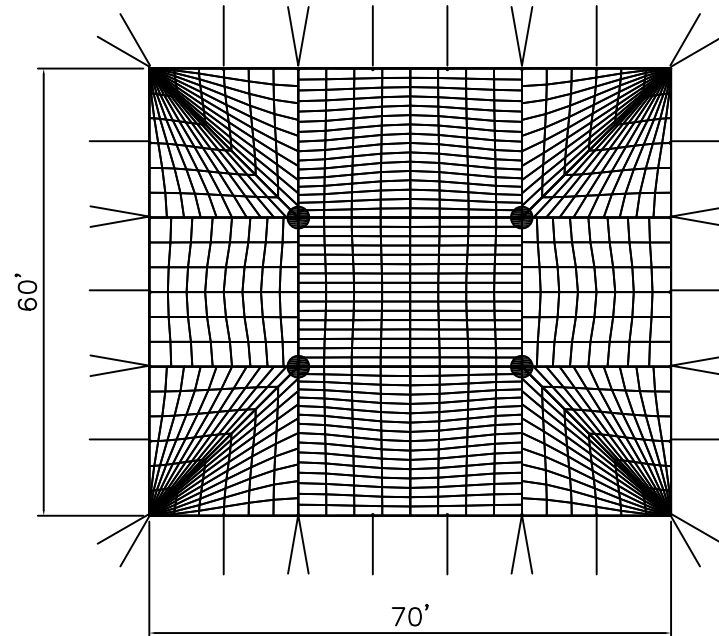


SIDE VIEW



END VIEW

● = CENTER POLES NOT TO SCALE



PLAN VIEW

ALL DATA AND INFORMATION CONTAINED IN OR DISCLOSED BY THIS DOCUMENT IS CONFIDENTIAL AND PROPRIETARY INFORMATION OF AZTEC TENTS AND ALL RIGHTS THEREIN ARE EXPRESSLY RESERVED. BY ACCEPTING THIS MATERIAL THE RECIPIENT AGREES THAT THIS MATERIAL AND INFORMATION CONTAINED THEREIN IS HELD IN CONFIDENCE AND IN TRUST AND WILL NOT BE COPIED, REPRODUCED WHOLE OR IN PART, NOR ITS CONTENTS REVEALED, EITHER ORALLY OR IN WRITING, TO ANY OTHER PARTY WITHOUT THE SPECIFIC PURPOSE FOR WHICH IT WAS DELIVERED.

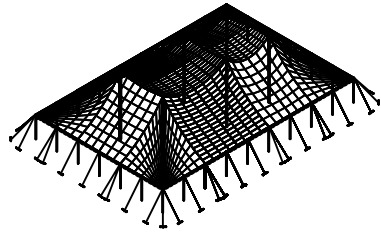
AZTEC TENTS
 DESIGN & PRODUCTION
 2665 COLUMBIA ST. TORRANCE, CA. 90503
 (800) 228-3687 - FAX (310) 381-0722

LEGEND SERIES FRAME
 LEGEND POLE/STANDARD
 60' W X 70' L X 10' LEGS
 PART NUMBER: ZXXXXXX

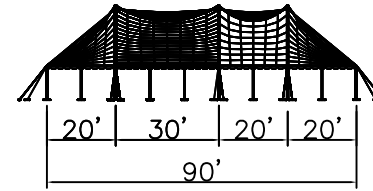
REVISION HISTORY			
REV.	DESCRIPTION:	BY:	DATE:
N/A	N/A	N/A	N/A
N/A	N/A	N/A	N/A
N/A	N/A	N/A	N/A
N/A	N/A	N/A	N/A
N/A	N/A	N/A	N/A

CONFIDENTIAL

ENGINEER: N/A DATE: 5/26/2016
 PAGE: 1 OF 1 DRAWN: HUGO.R



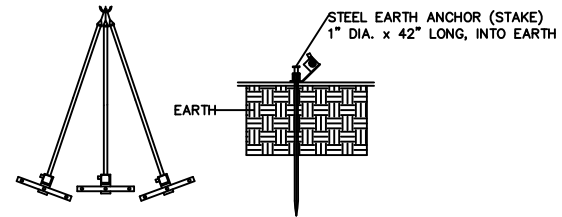
ISOMETRIC VIEW



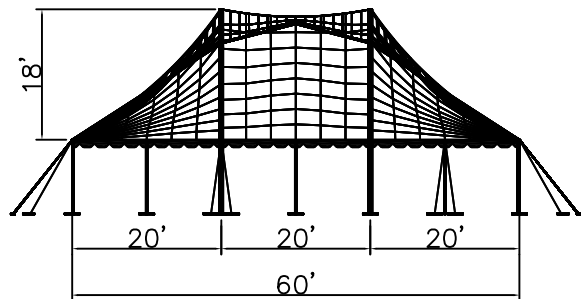
SIDE VIEW

LEGEND 40-50-60
60' x 90'

DETAIL OF STAKE BAR ASSEMBLY

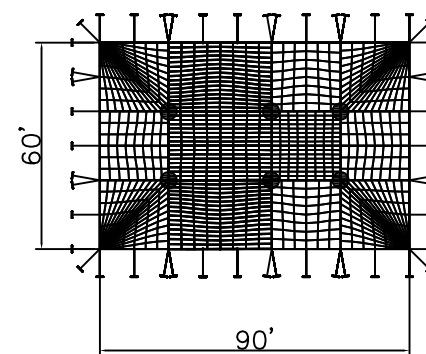


FOR ALL SR2000 TENTS



END VIEW

● = CENTER POLES NOT TO SCALE



PLAN VIEW

ALL DATA AND INFORMATION CONTAINED IN OR DISCLOSED BY THIS DOCUMENT IS CONFIDENTIAL AND PROPRIETARY INFORMATION OF AZTEC TENTS AND ALL RIGHTS THEREIN ARE EXPRESSLY RESERVED. BY ACCEPTING THIS MATERIAL THE RECIPIENT AGREES THAT THIS MATERIAL AND INFORMATION CONTAINED THEREIN IS HELD IN CONFIDENCE AND IN TRUST AND WILL NOT BE COPIED, REPRODUCED WHOLE OR IN PART, NOR ITS CONTENTS REVEALED, IN ANY MANNER TO ANY OTHERS, WITHOUT MEETING THE SPECIFIC PURPOSE FOR WHICH IT WAS DELIVERED.

AZTEC TENTS
DESIGN & PRODUCTION
2665 COLUMBIA ST. TORRANCE, CA. 90503
(800) 228-3687 - FAX (310) 381-0722

LEGEND SERIES FRAME
LEGEND/STANDARD
60'W X 90'L X 20'-30' MIDDLES
PART NUMBER: ZXXXXXX

REVISION HISTORY			
REV.	DESCRIPTION:	BY:	DATE:

CONFIDENTIAL

ENGINEER: N/A	DATE: 5/27/2016
PAGE: 1 OF 1	DRAWN: HUGO.R