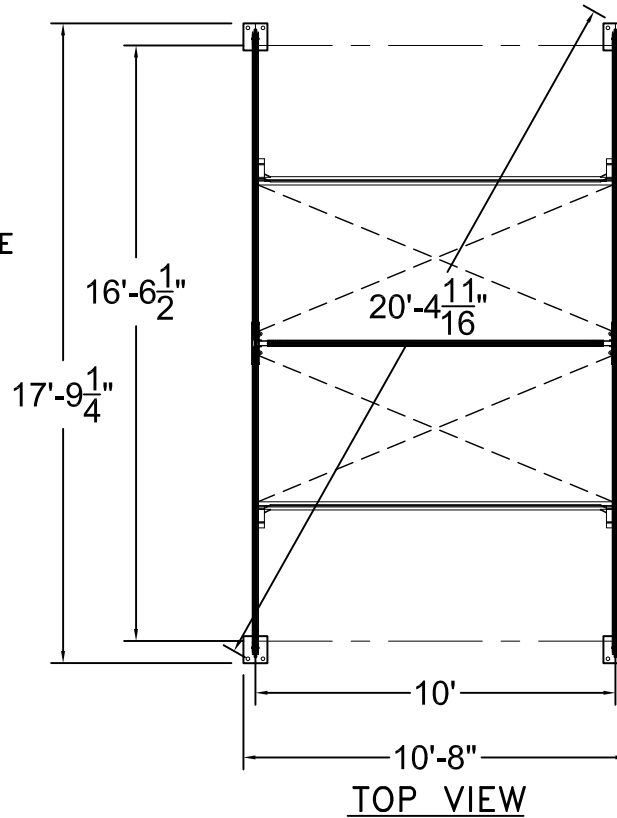
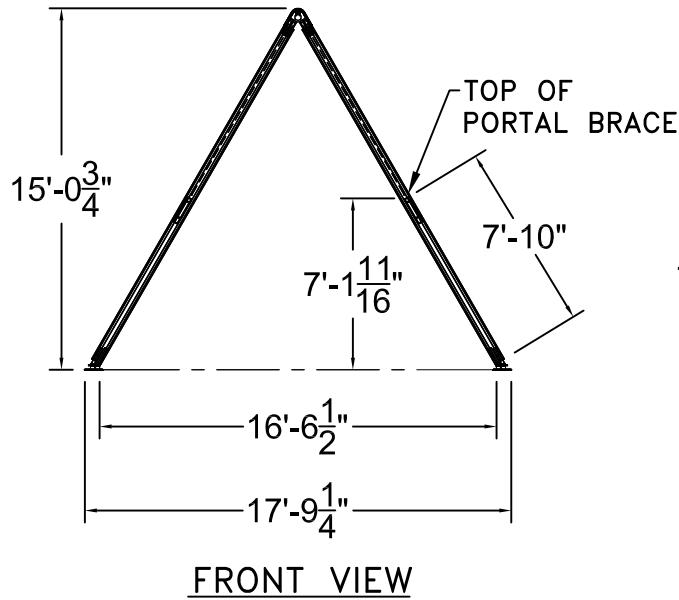


17'W x 10'L ADENA A-FRAME TENT



ALL DATA AND INFORMATION CONTAINED IN OR DISCLOSED BY THIS DOCUMENT IS CONFIDENTIAL AND PROPRIETARY INFORMATION OF AZTEC TENTS AND ALL RIGHTS THEREIN ARE EXPRESSLY RESERVED. BY ACCEPTING THIS MATERIAL THE RECIPIENT AGREES THAT THIS MATERIAL AND INFORMATION CONTAINED THEREIN IS HELD IN CONFIDENCE AND IN TRUST AND WILL NOT BE COPIED, REPRODUCED, WHOLE OR IN PART, NOR ITS CONTENTS REVEALED IN ANY MANNER TO OTHERS, EXCEPT TO MEET THE SPECIFIC PURPOSE FOR WHICH IT WAS DELIVERED.

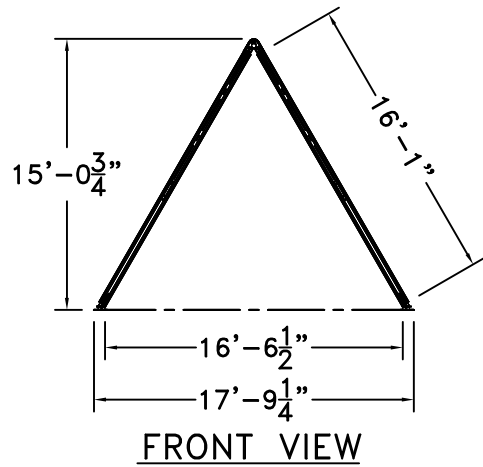
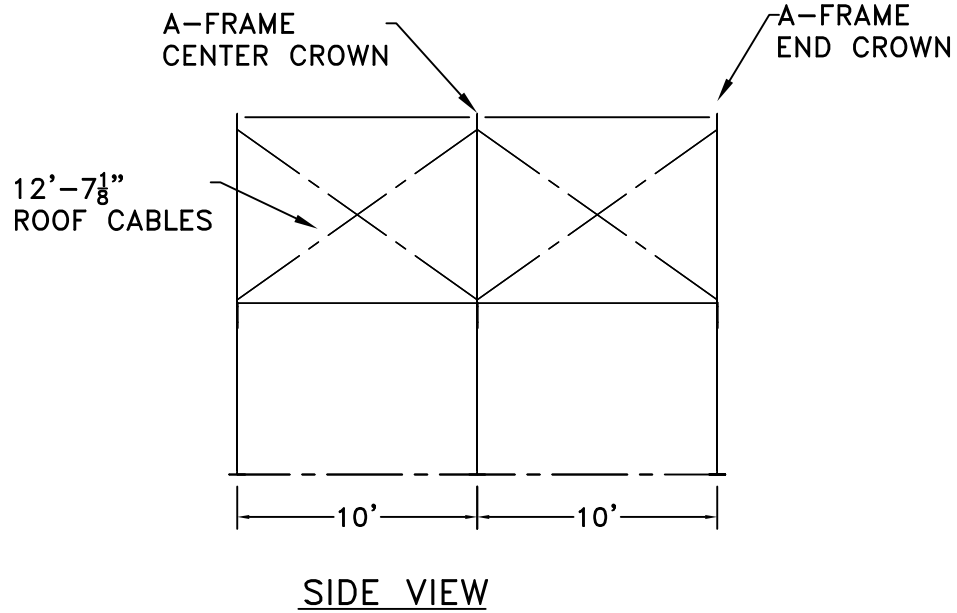
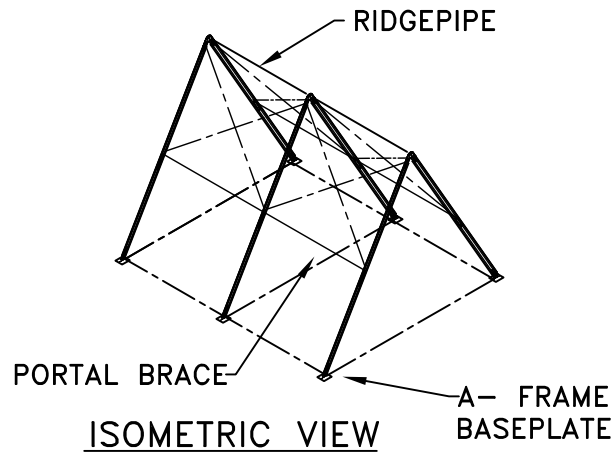
AZTEC TENTS
 2685 COLUMBIA ST. TORRANCE, CA. 90503
 (800) 228-3687 - FAX (310) 381-0722

ADENA
 17"W x 10'L
 PART NUMBER: ZXXXXXX

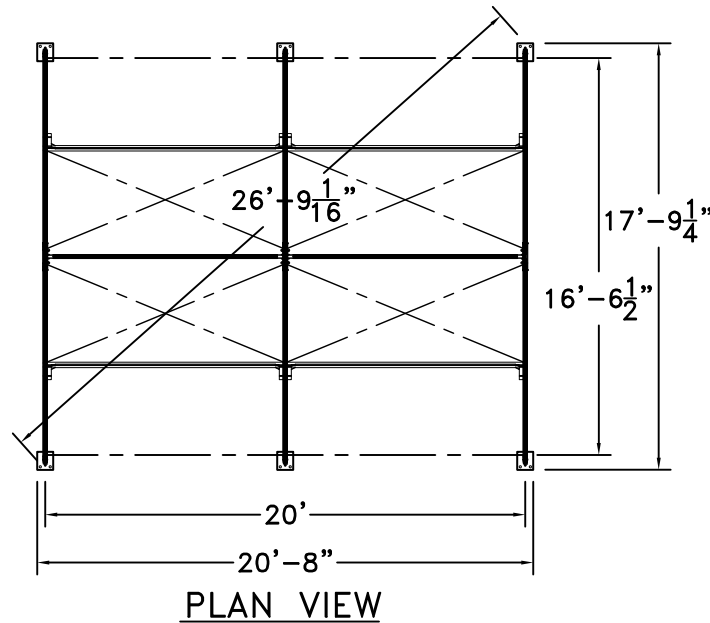
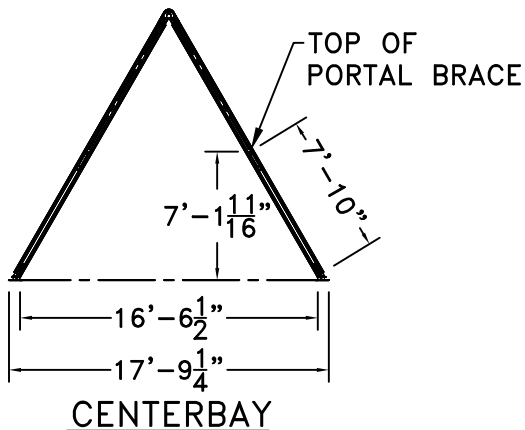
REVISION HISTORY			
REV.	DESCRIPTION	BY:	DATE:

PROPRIETARY

ENGINEER: N/A	DATE: 1/16/2024
PAGE: 1 OF 1	DRAWN: M.CARDENAS



17"W x 20'L ADENA A-FRAME TENT



ALL DATA AND INFORMATION CONTAINED IN OR DISCLOSED BY THIS DOCUMENT IS CONFIDENTIAL AND PROPRIETARY INFORMATION OF AZTEC TENTS AND ALL RIGHTS THEREIN ARE EXPRESSLY RESERVED. BY ACCEPTING THIS MATERIAL THE RECIPIENT AGREES THAT THIS MATERIAL AND INFORMATION CONTAINED THEREIN IS HELD IN CONFIDENCE AND IN TRUST AND WILL NOT BE COPIED, REPRODUCED, WHOLE OR IN PART, OR ITS CONTENTS REVEALED IN ANY MANNER TO OTHERS, EXCEPT TO MEET THE SPECIFIC PURPOSE FOR WHICH IT WAS DELIVERED.

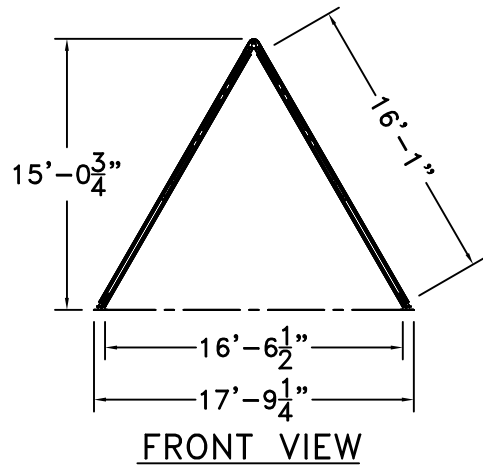
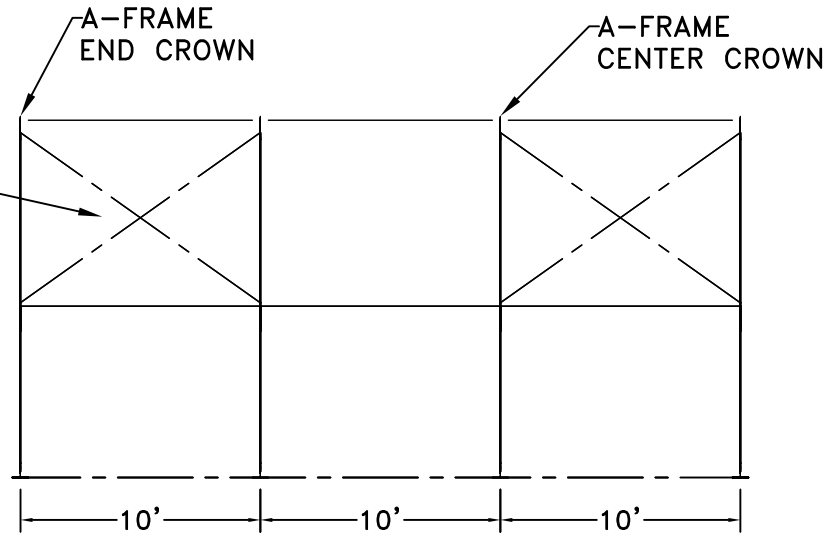
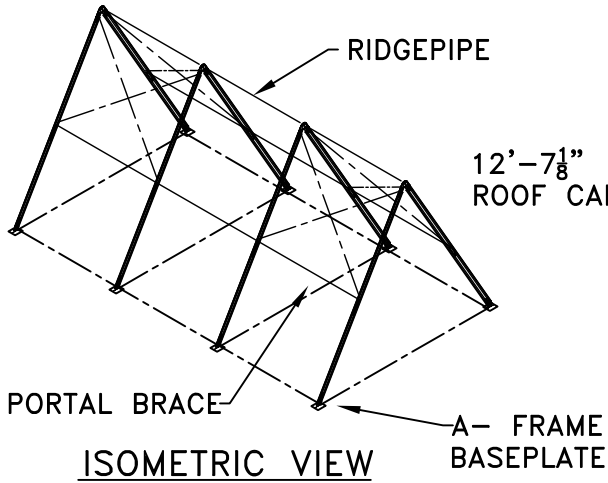
AZTEC TENTS
 DESIGN & PRODUCTION
 2685 COLUMBIA ST. TORRANCE, CA. 90503
 (800) 228-3687 - FAX (310) 381-0722

ADENA
 17"W x 20'L x 10' BAYS
 PART NUMBER: ZXXXXXX

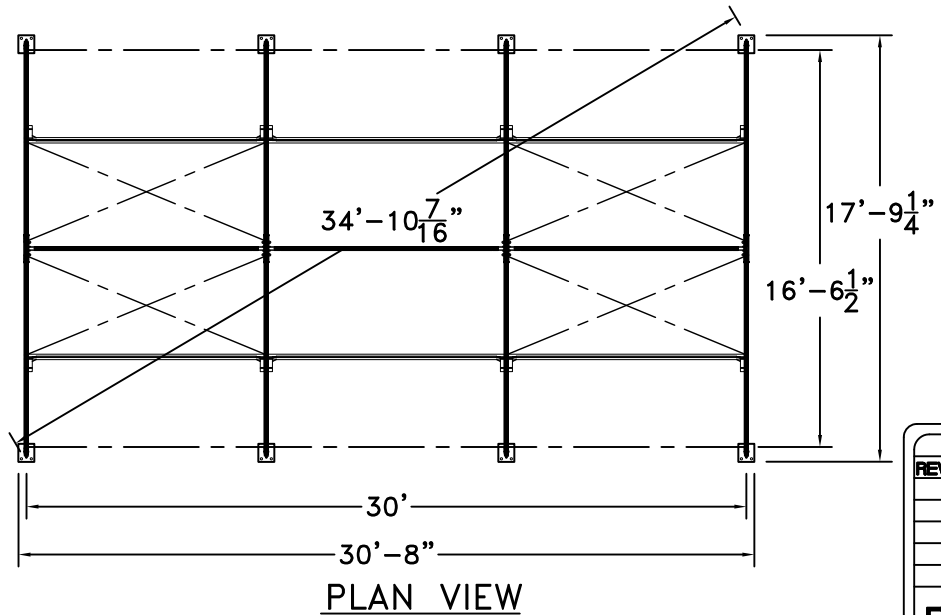
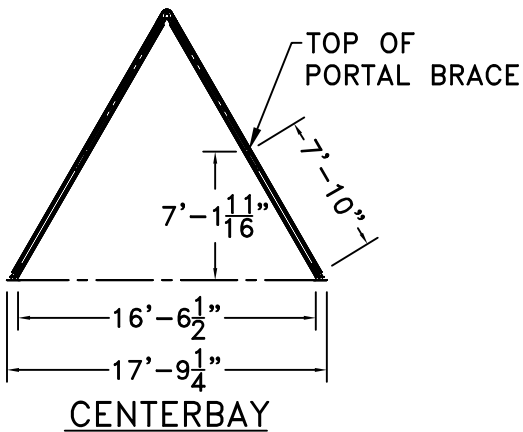
REVISION HISTORY			
REV.	DESCRIPTION	BY:	DATE:

PROPRIETARY

ENGINEER: N/A	DATE: 1/16/2024
PAGE: 1 OF 1	DRAWN: M.CARDENAS



17'W x 30'L ADENA A-FRAME TENT



ALL DATA AND INFORMATION CONTAINED IN OR DISCLOSED BY THIS DOCUMENT IS CONFIDENTIAL AND PROPRIETARY INFORMATION OF AZTEC TENTS AND ALL RIGHTS THEREIN ARE EXPRESSLY RESERVED. BY ACCEPTING THIS MATERIAL THE RECIPIENT AGREES THAT THIS MATERIAL AND INFORMATION CONTAINED THEREIN IS HELD IN CONFIDENCE AND IN TRUST AND WILL NOT BE COPIED, REPRODUCED, WHOLE OR IN PART, OR ITS CONTENTS REVEALED IN ANY MANNER TO OTHERS, EXCEPT TO MEET THE SPECIFIC PURPOSE FOR WHICH IT WAS DELIVERED.

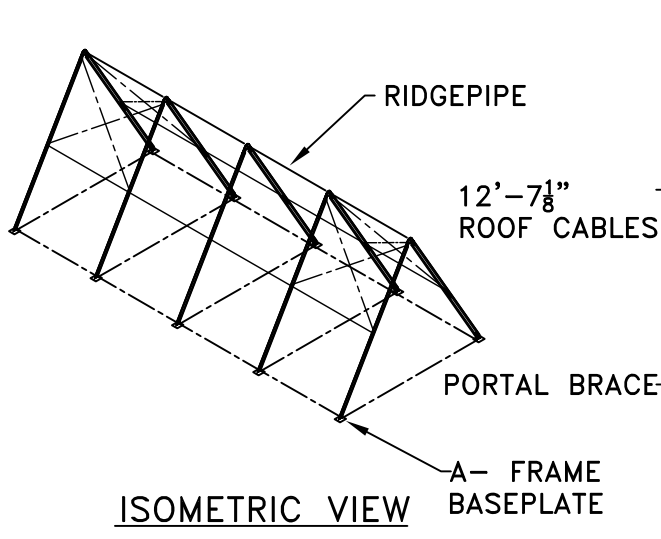
AZTEC TENTS
DESIGN & PRODUCTION
2685 COLUMBIA ST. TORRANCE, CA. 90503
(800) 228-3687 - FAX (310) 381-0722

ADENA
17'W x 30'L x 10' BAYS
PART NUMBER: ZXXXXXX

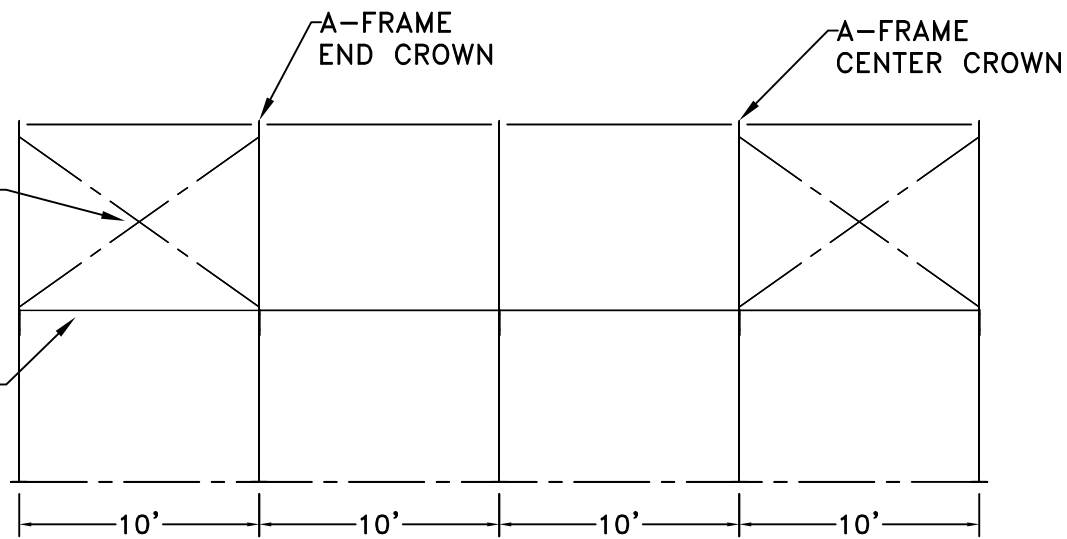
REVISION HISTORY			
REV.	DESCRIPTION	BY:	DATE:

PROPRIETARY

ENGINEER: N/A	DATE: 1/16/2023
PAGE: 1 OF 1	DRAWN: M.CARDENAS

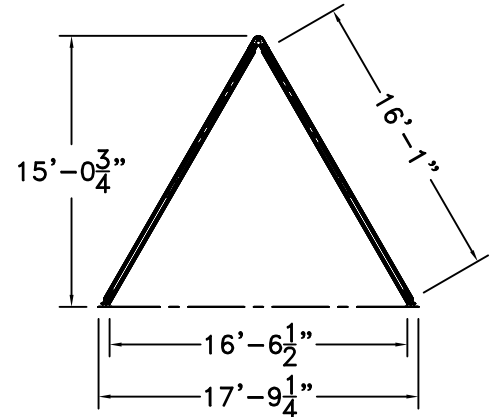


ISOMETRIC VIEW

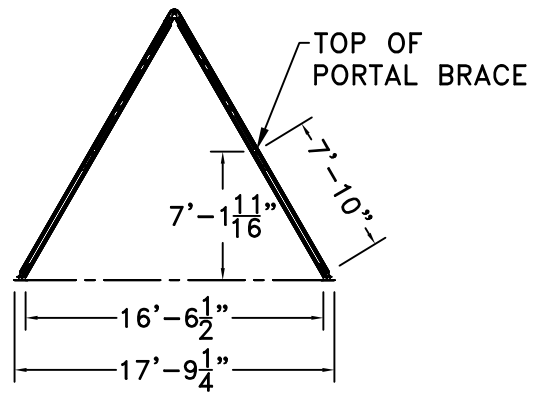


SIDE VIEW

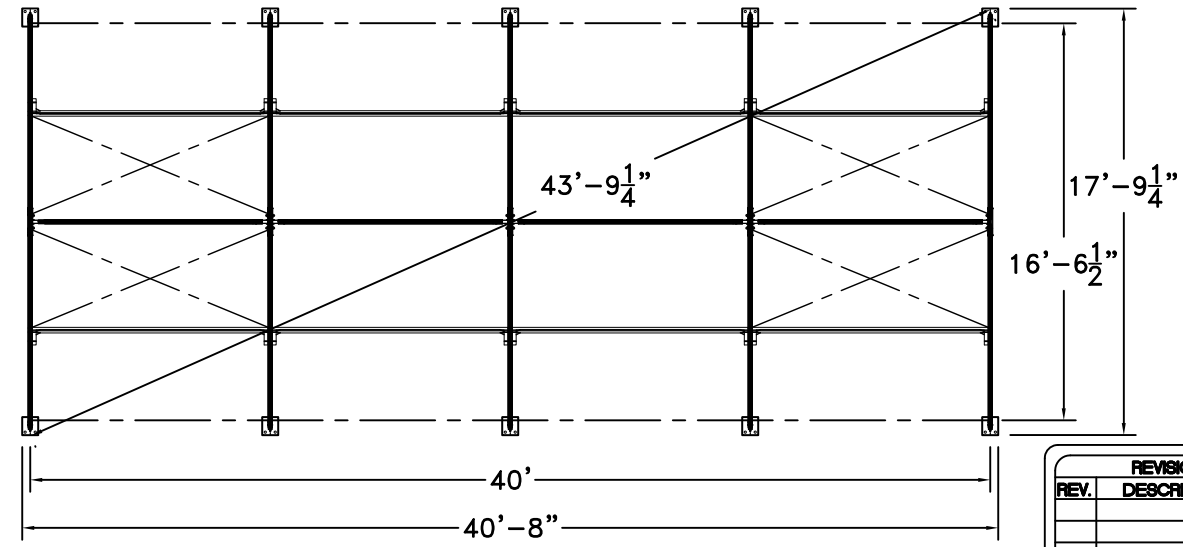
17'W x 40'L ADENA A-FRAME TENT



FRONT VIEW



CENTERBAY



PLAN VIEW

ALL DATA AND INFORMATION CONTAINED IN OR DISCLOSED BY THIS DOCUMENT IS CONFIDENTIAL AND PROPRIETARY INFORMATION OF AZTEC TENTS AND ALL RIGHTS THEREIN ARE EXPRESSLY RESERVED. BY ACCEPTING THIS MATERIAL THE RECIPIENT AGREES THAT THIS MATERIAL AND INFORMATION CONTAINED THEREIN IS HELD IN CONFIDENCE AND IN TRUST AND WILL NOT BE COPIED, REPRODUCED, WHOLE OR IN PART, OR ITS CONTENTS REVEALED IN ANY MANNER TO OTHERS, EXCEPT TO MEET THE SPECIFIC PURPOSE FOR WHICH IT WAS DELIVERED.

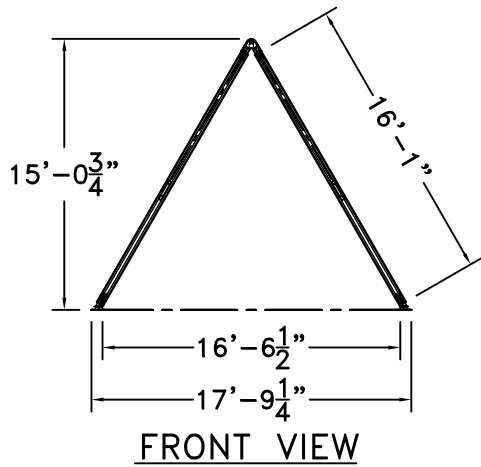
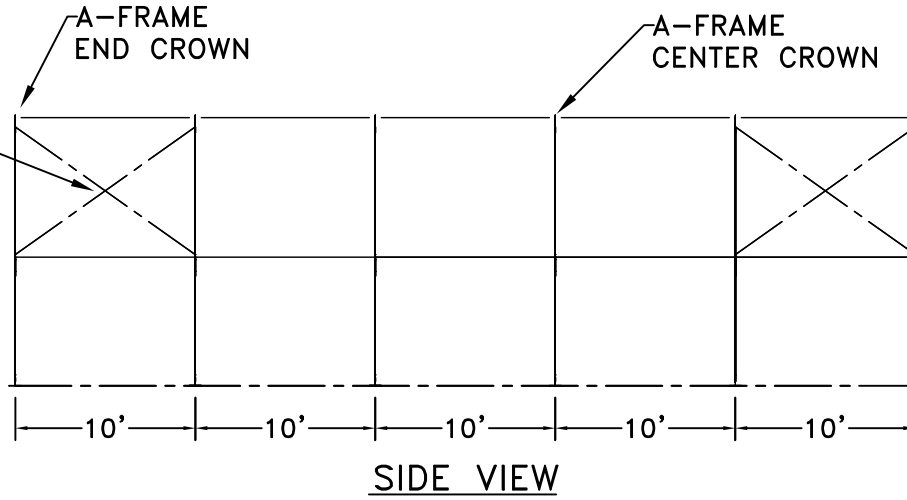
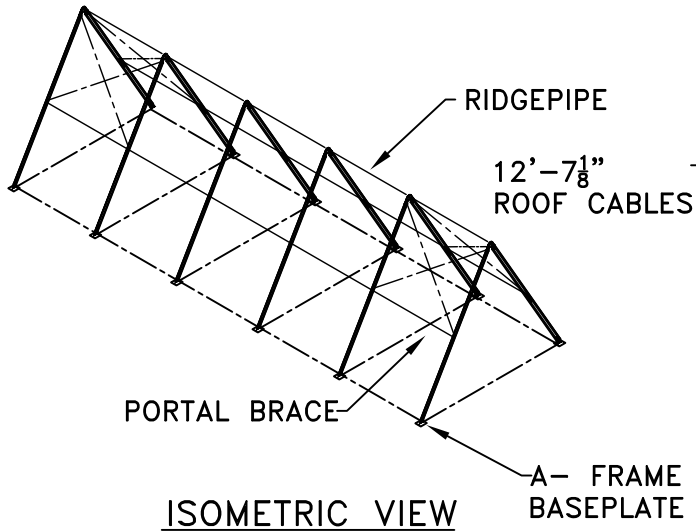
AZTEC TENTS
DESIGN & PRODUCTION
2665 COLUMBIA ST. TORRANCE, CA. 90503
(800) 228-3687 - FAX (310) 381-0722

ADENA
17'W x 40'L x 10' BAYS
PART NUMBER: ZXXXXXX

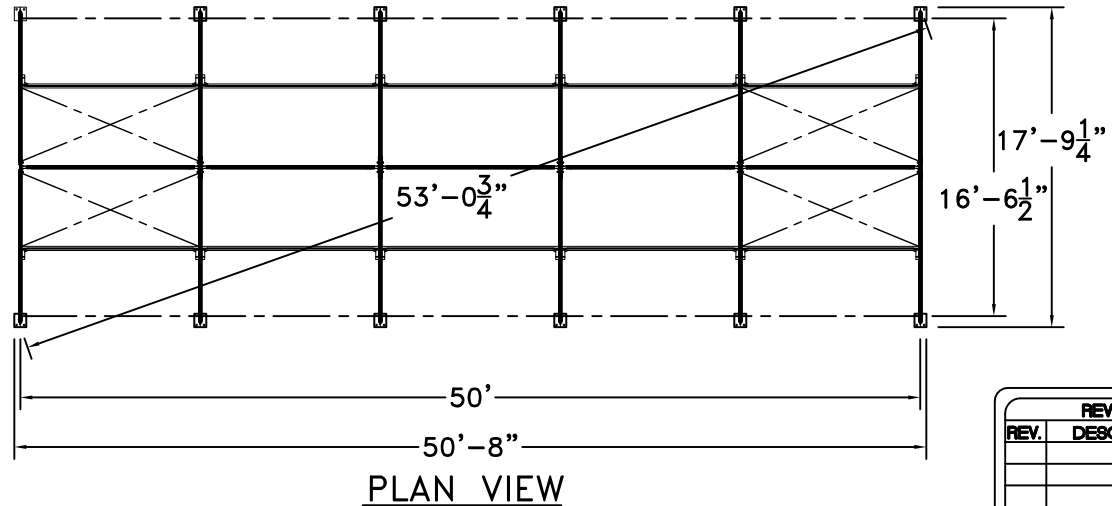
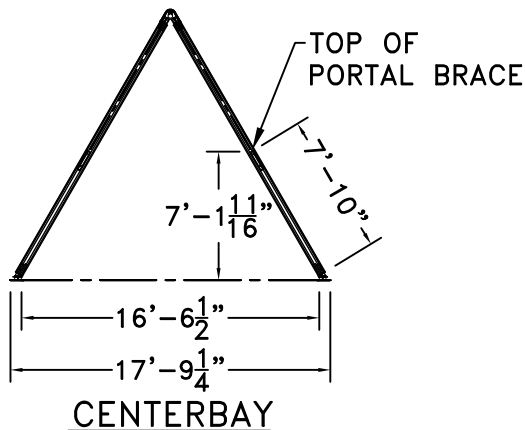
REVISION HISTORY			
REV.	DESCRIPTION	BY:	DATE:

PROPRIETARY

ENGINEER: N/A	DATE: 1/16/2024
PAGE: 1 OF 1	DRAWN: M.CARDENAS



17'W x 50'L ADENA A-FRAME TENT



ALL DATA AND INFORMATION CONTAINED IN OR DISCLOSED BY THIS DOCUMENT IS CONFIDENTIAL AND PROPRIETARY INFORMATION OF AZTEC TENTS AND ALL RIGHTS THEREIN ARE EXPRESSLY RESERVED. BY ACCEPTING THIS MATERIAL THE RECIPIENT AGREES THAT THIS MATERIAL AND INFORMATION CONTAINED HEREIN IS HELD IN CONFIDENCE AND IN TRUST AND WILL NOT BE COPIED, REPRODUCED, WHOLE OR IN PART, OR ITS CONTENTS REVEALED IN ANY MANNER TO OTHERS, EXCEPT TO MEET THE SPECIFIC PURPOSE FOR WHICH IT WAS DELIVERED.

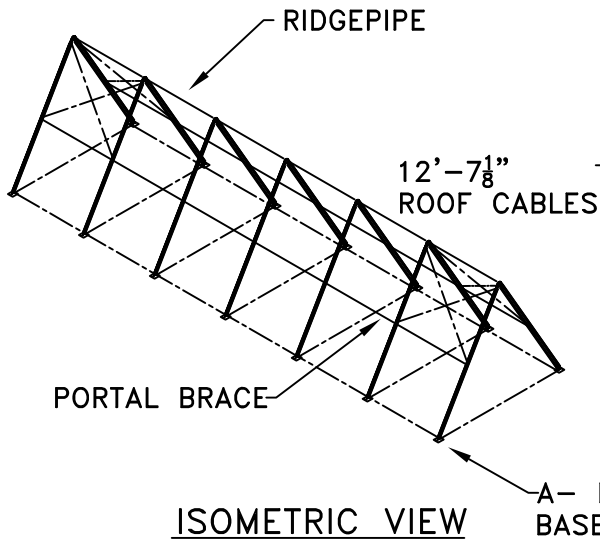
AZTEC TENTS
 DESIGN & PRODUCTION
 2685 COLUMBIA ST. TORRANCE, CA. 90503
 (800) 228-3687 - FAX (310) 381-0722

ADENA
 17'W x 50'L x 10' BAYS
 PART NUMBER: ZXXXXXX

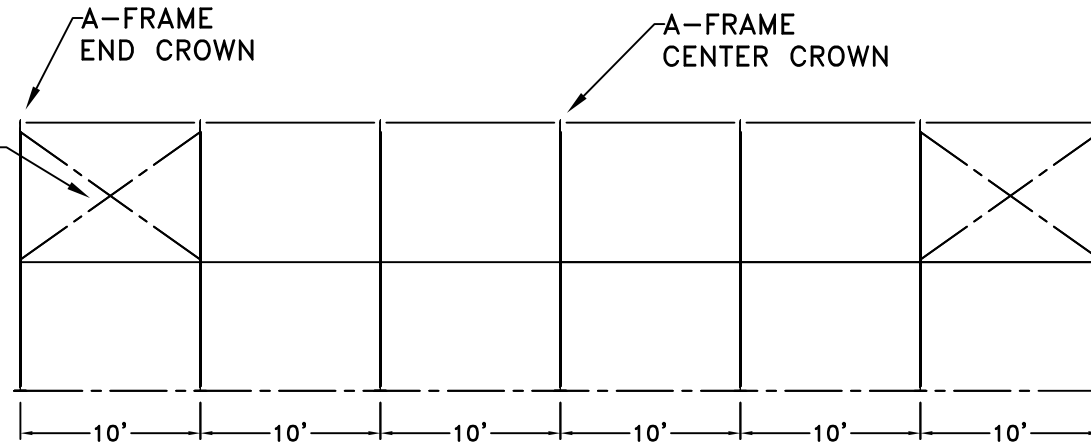
REVISION HISTORY			
REV.	DESCRIPTION	BY:	DATE:

PROPRIETARY

ENGINEER: N/A	DATE: 1/16/2024
PAGE: 1 OF 1	DRAWN: M.CARDENAS

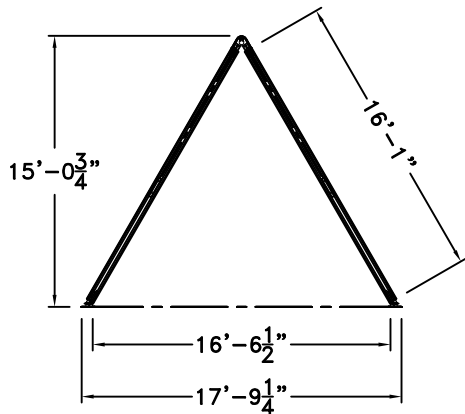


ISOMETRIC VIEW

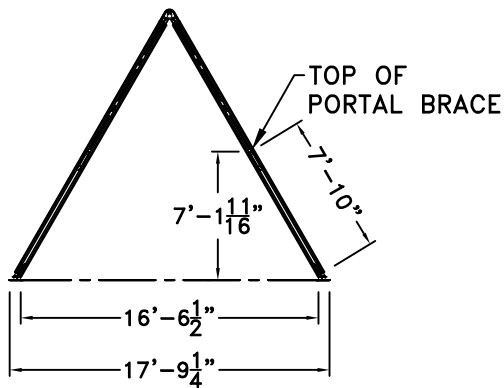


SIDE VIEW

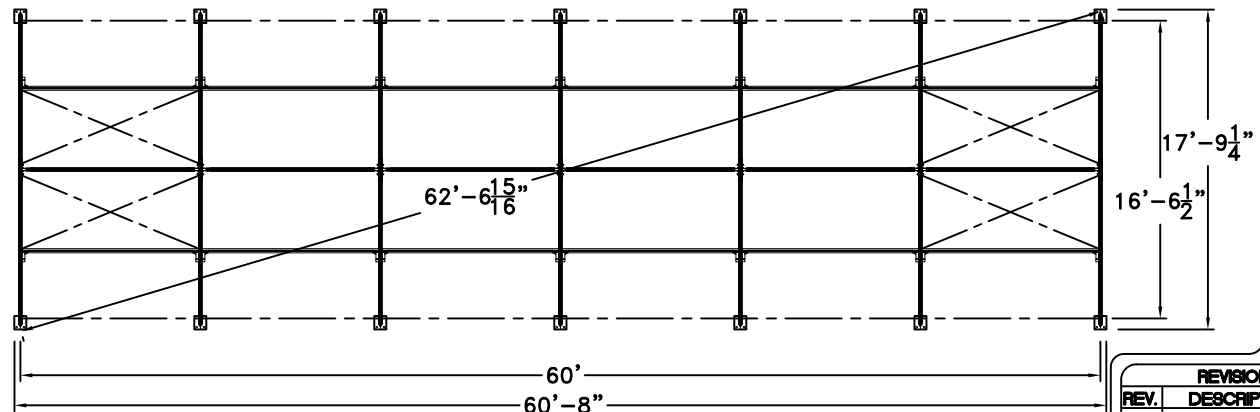
17'W x 60'L ADENA A-FRAME TENT



FRONT VIEW



CENTERBAY



PLAN VIEW

ALL DATA AND INFORMATION CONTAINED IN OR DISCLOSED BY THIS DOCUMENT IS CONFIDENTIAL AND PROPRIETARY INFORMATION OF AZTEC TENTS AND ALL RIGHTS THEREIN ARE EXPRESSLY RESERVED. BY ACCEPTING THIS MATERIAL THE RECIENT AGREES THAT THIS MATERIAL AND INFORMATION CONTAINED THEREIN IS HELD IN CONFIDENCE AND IN TRUST AND WILL NOT BE COPIED, REPRODUCED, WHOLE OR IN PART, OR ITS CONTENTS REVEALED IN ANY MANNER TO OTHERS, EXCEPT TO MEET THE SPECIFIC PURPOSE FOR WHICH IT WAS DELIVERED.

AZTEC TENTS
DESIGN & PRODUCTION
2685 COLUMBIA ST. TORRANCE, CA. 90503
(800) 228-3687 - FAX (310) 381-0722

ADENA
17'W x 60'L x 10' BAYS
PART NUMBER: ZXXXXXX

REVISION HISTORY			
REV.	DESCRIPTION	BY	DATE

PROPRIETARY

ENGINEER: N/A	DATE: 1/17/2024
PAGE: 1 OF 1	DRAWN: M.CARDENAS