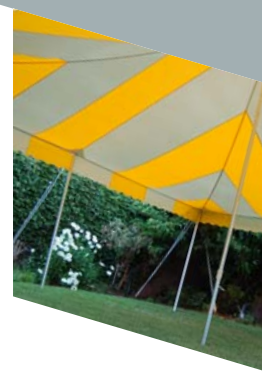
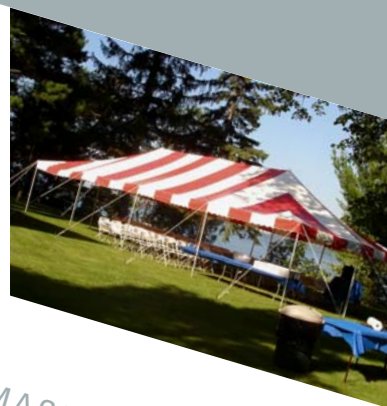


# INSTALL INSTRUCTIONS



If YOU can IMAGINE it... WE can BUILD it

# ATC CANOPY

# WARNING!

The safe installation and use of commercial tenting products can vary from site to site and during varying climactic conditions. Careful consideration should be paid to any installation during windy conditions and shall be monitored throughout the duration of the installation. Periodic maintenance and monitoring of the installation by the installer is required. Techniques other than those specified in this document may be required during these types of conditions.

Users and installers shall indemnify and hold harmless Aztec Tent for any claim resulting from the improper installation and/or maintenance of this unit.

Soil conditions also vary from site to site. The included anchoring package for this tent may need to be supplemented with alternate anchoring during windy conditions and in areas with questionable soil holding power. Full product engineering may be available.

# NOTICE

This tent product is not intended to be used as a shelter from severe weather. Aztec assumes no liability for such use. An evacuation plan for the area covered within this tented space is imperative and shall be thoroughly posted for all users and potential occupants of the tent. Severe weather including electrical storm systems, moderate to severe wind, heavy rains, snow, or any condition that raises any doubt to the structural integrity of the tent are immediate signs that an evacuation is necessary. Severe bodily injury and/or death can occur.

The installation of electrical, plumbing, lighting, appliances and/or HVAC equipment are not covered within this manual. Users/Installers shall follow local code requirements for the installation of these items using certified personnel. Aztec Tents shall be indemnified and held harmless from any such use or injury resulting from its use.

## \*\*\*IMPORTANT SAFETY INFORMATION\*\*\*

Proper personnel safety equipment should be worn at all times during the installation of any tenting products.

Hard Hat

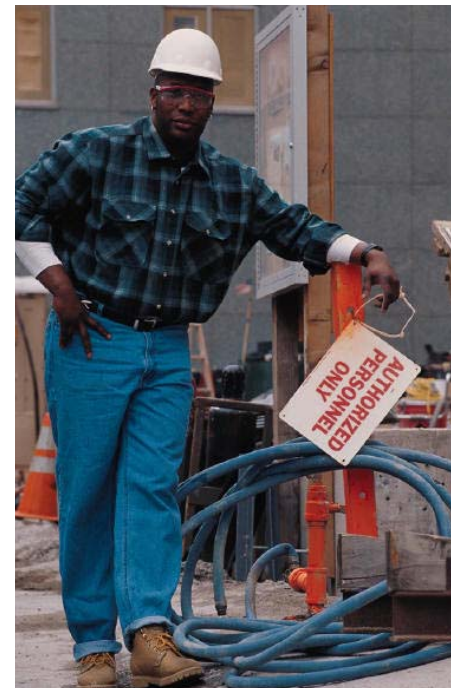
Safety Glasses

Work Gloves

Long Pants

Steel Toe Boots

OSHA Approved Harness and restraint system (for off ground activities)



Thank you for your recent purchase from Aztec Tents. The following procedures will help you through your installation. If you ever run into problems with the installation of your Aztec Tent give one of our sales/service professionals a call. A complete listing of sales, service, and operational support is always available on our website at [www.aztectents.com](http://www.aztectents.com).

# Contents

Installation Instructions	4-5
10'x10' Standard Diagram	6
10'x20' Standard Diagram	7
15'x15' Standard Diagram	8
20'x20' Standard Diagram	9
20'x30' Standard Diagram	10
20'x40' Standard Diagram	11
Parts List	12
Pole Specifications	12
Parts Listing	13

## Questions? Call us.

### **Aztec Tents**

2665 Columbia Street  
Torrance, CA 90503 USA  
Direct (310) 347-3010  
Toll Free (800) 228-3687  
Fax (310) 381-0722

# Installation-

## Step 1:

Lay out a ground cloth over the area to be covered by the tent. Unfold the tent top fabric over the groundcloth with the shiny side facing up. Stretch out the fabric and pull the corners square.



## Step 2:

Drive stakes, approximately 5ft out from the perimeter of the tent with the hooks facing away from the tent. Drive two stakes in for each corner tie-down at a 90 degree and one stake for each side pole leg.



## Step 3:

Loop the tensioning rope over the hook of the stake and leave plenty of slack in the rope.



## Step 4:

Assemble the two piece side poles with the tip (pin) at the top end of the pole. Insert the sidepoles into the grommets and reinforcement rings around the perimeter of the tent top. Erect side poles and leave just short of vertical.



**Step 5:**

Assemble and erect the center pole(s).

10x- 3pc Centerpole measuring 9'4"

15x- 3pc Centerpole measuring 10'5"

20x- 4pc Centerpole measuring 12'6"

From underneath the tent poke the tip (pin) of the centerpole through the ring at the peak and push the fabric toward the sky until the centerpole is vertical.



**Step 6:**

Straighten the sidepoles around the tent so that they are vertical and plum. Use the rope tensioners to pull the tent top tight. Be careful that you do not over tension one side of the tent as it will pull the opposite side out of vertical.



**Step 7:**

Tie off the jumper ropes. Connected to each reinforcement ring at the peak is a 1/4" Polypropelene rope that should be tied to the center poles to prevent the top from lifting off the centerpoles during windy conditions.




**Step 8:**

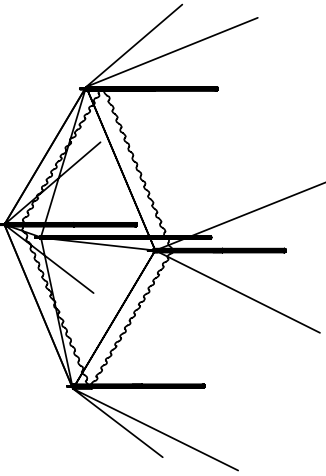
Install any sidewall needed by clipping the top hooks of the wall to the rope-line just under the valance of the tent.



# Diagrams

REV	DRAWING NUMBER	AZ-10107- ATC CANOPY	DATE	12/29/04	CHECKED	-	PROJECT	10x10x7 ATC CANOPY
0	AZ-10107- ATC CANOPY	PART DESCRIPTION	DRAWN	KT	ENGINEER	CM	490 ALASKA AVE. TORRANCE, CA 90503	(800) 228-3687 - FAX (310) 381-0722
		CODE						
		SIZE	10' W x 10' L x 7' LEGS ATC CANOPY / STANDARD					
<p>ALL DATA AND INFORMATION CONTAINED IN OR DISCLOSED BY THIS DOCUMENT IS CONFIDENTIAL AND PROPRIETARY INFORMATION OF AZTEC TENTS AND ALL RIGHTS THEREIN ARE EXPRESSLY RESERVED. BY ACCEPTING THIS MATERIAL THE RECIPIENT AGREES THAT THIS MATERIAL AND INFORMATION CONTAINED THEREIN IS HELD IN CONFIDENCE AND IN TRUST AND WILL NOT BE COPIED, REPRODUCED WHOLE OR IN PART, NOR ITS CONTENTS REVEALED IN ANY MANNER TO OTHERS, EXCEPT TO MEET THE SPECIFIC PURPOSE FOR WHICH IT WAS DELIVERED.</p>								



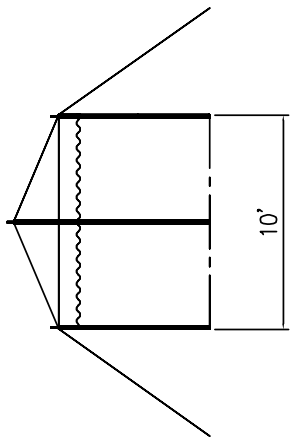
ISOMETRIC VIEW

10x10x7 ATC CANOPY

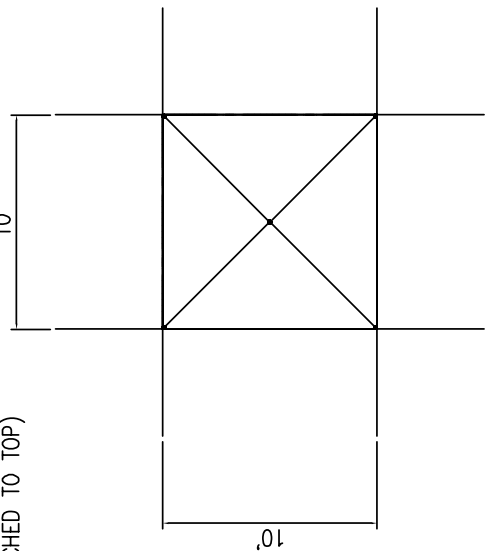
PACKING LIST:

- (4) LEG ASSEMBLY (PIECE G & PIECE J)
- (1) 9'-1" CENTER POLE (PIECE G, PIECE H, PIECE J)
- (1) 10'x10' TOP
- (8) 15" METAL STAKE
- (8) ROPE SLIDER
- (8) 1/4" x 12'-0" GUY ROPE (ATTACHED TO TOP)
- (1) 1/4" x 15'-0" JUMPER ROPE (ATTACHED TO TOP)

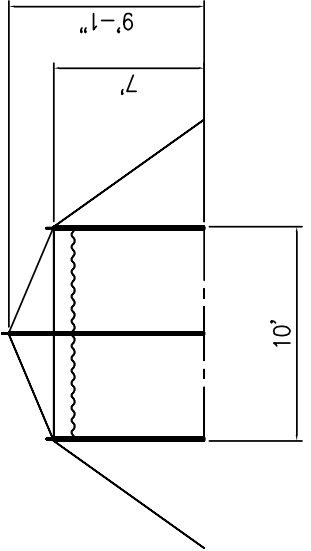


SIDE VIEW



PLAN VIEW



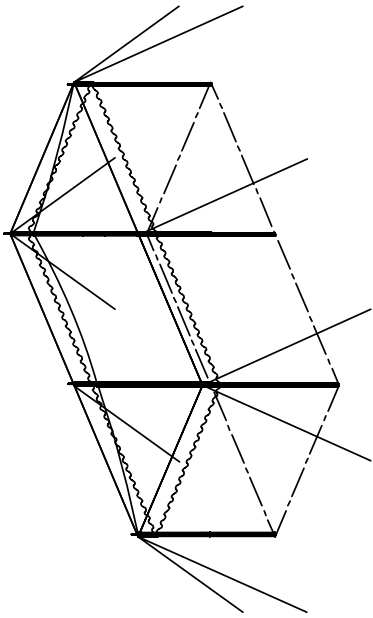
END VIEW

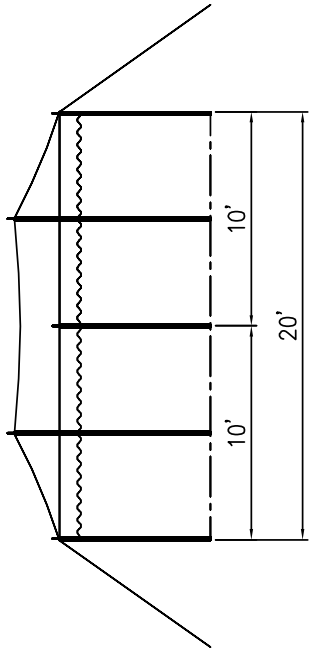
K:\cad files\Pole Tent\ATC Canopy\10x10x7.dwg, 6/27/2006 10:48:19 AM, pdfFactory.pc3

AZTEC		STANDARD	
490 ALASKA AVE. TORRANCE, CA. 90503 (800) 228-3687 - FAX (310) 381-0722		ENGINEER CM DRAWN KT DATE 05/16/06	
PART DESCRIPTION ATC CANOPY / STANDARD 10' W x 20' L x 7' LEGS		CHECKED - 062706 1200	POLENT\ATC CANOPY\10x10x20x7
REV DRAWING NUMBER	CODE SIZE	AZ-10207 - ATC CANOPY 1	

ALL DATA AND INFORMATION CONTAINED IN OR DISCLOSED BY THIS DOCUMENT IS CONFIDENTIAL AND PROPRIETARY INFORMATION OF AZTEC TENTS AND ALL RIGHTS THEREIN ARE EXPRESSLY RESERVED. BY ACCEPTING THIS MATERIAL THE REQUIRER AGREES THAT THIS MATERIAL AND INFORMATION CONTAINED THEREIN IS HELD IN CONFIDENCE AND IN TRUST, AND WILL NOT BE COPIED, REPRODUCED WHOLE OR IN PART, FOR ITS CONTENTS REVEALED IN ANY MANNER TO OTHERS, EXCEPT TO MEET THE SPECIFIC PURPOSE FOR WHICH IT WAS DELIVERED.



ISOMETRIC VIEW

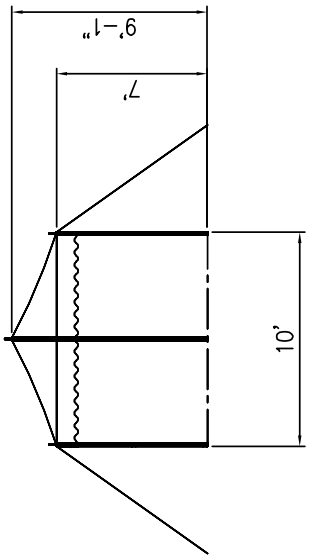


SIDE VIEW

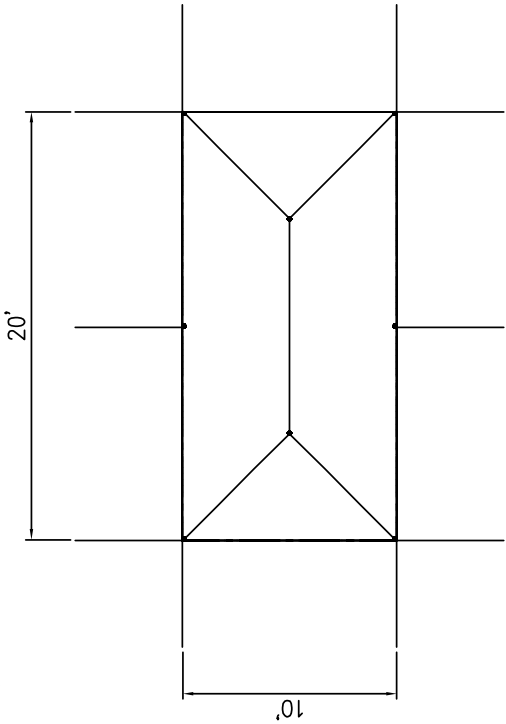
10x20x7 ATC CANOPY

PACKING LIST:

- (6) LEG ASSEMBLY (PIECE G & PIECE J)
- (2) 9'-1" CENTER POLE (PIECE G, PIECE H, PIECE J)
- (1) 10'x20' TOP
- (10) 15" METAL STAKE
- (10) ROPE SLIDER
- (10) 1/4" x 12'-0" GUY ROPE (ATTACHED TO TOP)
- (2) 1/4" x 15'-0" JUMPER ROPE (ATTACHED TO TOP)



END VIEW

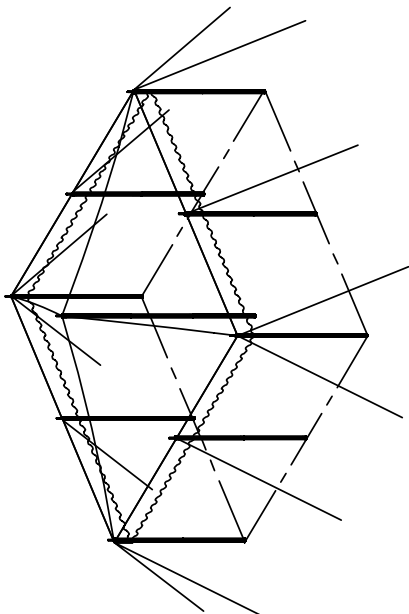


PLAN VIEW

# Diagrams- Cont.

STANDARD ATC CANOPY / STANDARD 15'W x 15'L x 7' LEGS	PART DESCRIPTION AZ-15157- ATC CANOPY	CODE SIZE DRAWING NUMBER REV	ENGINEER CM DATE 05/16/06	CHECKED - 062806 1000	ALL DATA AND INFORMATION CONTAINED IN OR DISCLOSED BY THIS DOCUMENT IS CONFIDENTIAL AND PROPRIETARY INFORMATION OF AZTEC TENTS AND ALL RIGHTS THEREIN ARE EXPRESSLY RESERVED. BY ACCEPTING THIS MATERIAL THE RECIPIENT AGREES THAT THIS MATERIAL AND INFORMATION CONTAINED THEREIN IS HELD IN CONFIDENCE AND IN TRUST. AND WILL NOT BE COPIED, REPRODUCED WHOLE OR IN PART, NOR ITS CONTENTS REVEALED IN ANY MANNER TO OTHERS, EXCEPT TO MEET THE SPECIFIC PURPOSE FOR WHICH IT WAS DELIVERED.
--	--	---------------------------------------	---------------------------------	-----------------------------	--

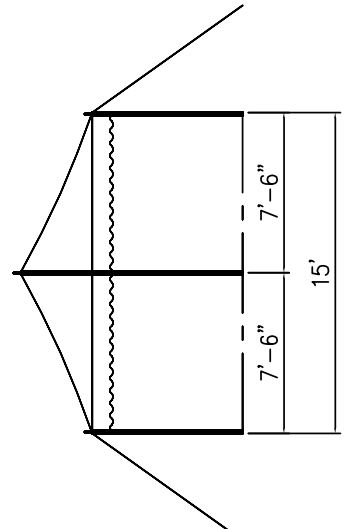


ISOMETRIC VIEW

### 15x15x7 PARTY TENT

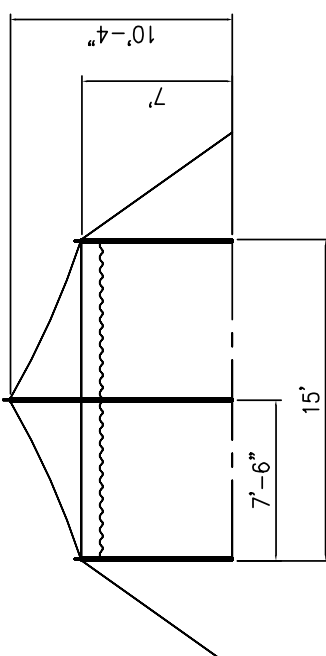
PACKING LIST:

- (8) LEG ASSEMBLY (PIECE G & PIECE J)
- (1) 10'-4" CENTER POLE (PIECE G, PIECE I, PIECE J)
- (1) 15'x15' TOP
- (12) 15" METAL STAKE
- (12) ROPE SLIDER
- (12) 1/4" x 12'-0" GUY ROPE (ATTACHED TO TOP)
- (1) 1/4" x 15'-0" JUMPER ROPE (ATTACHED TO TOP)

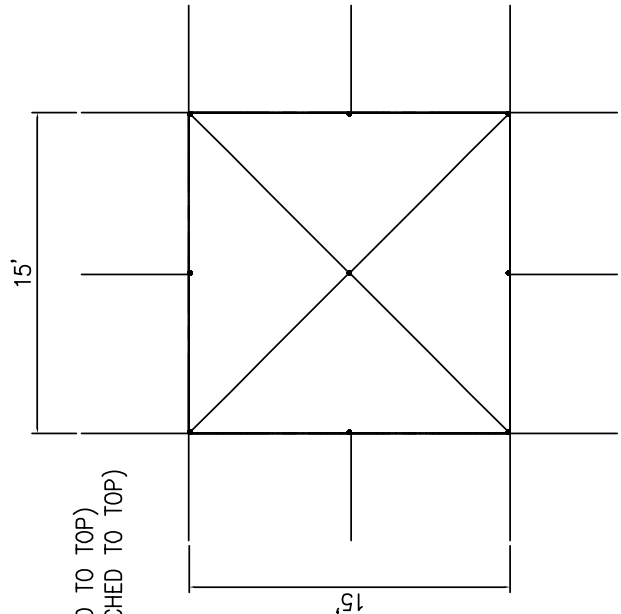


SIDE VIEW




END VIEW



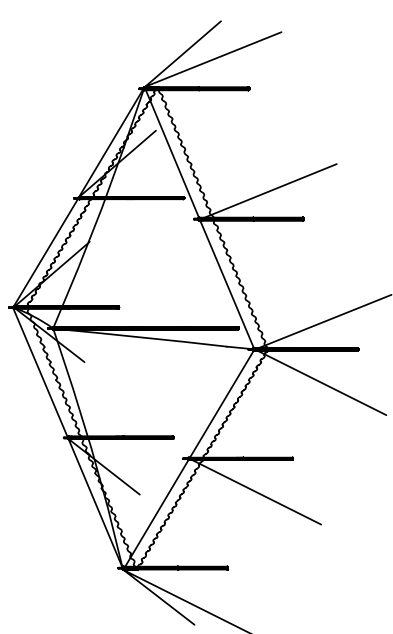
PLAN VIEW

K:\acad files\Pole Tent\ATC Canopy\15x15x7.dwg, 6/28/2006 9:59:28 AM, pdfFactory.pcs3



AZ-20207- ATC CANOPY 1		AZ-20207- ATC CANOPY 1		AZ-20207- ATC CANOPY 1	
REV	DRAWING NUMBER	SIZE	CODE	PART DESCRIPTION	DATE
				ATC CANOPY / STANDARD	12/29/04
STANDARD			 490 ALASKA AVE. TORRANCE, CA. 90503 (800) 228-3687 - FAX (310) 381-0722 ENGINEER CM DRAWN KT CHECKED - DATE 12/29/04		

ALL DATA AND INFORMATION CONTAINED IN OR DISCLOSED BY THIS DOCUMENT IS CONFIDENTIAL AND PROPRIETARY. THE RECIPIENT AGREES THAT THIS MATERIAL AND INFORMATION ARE EXPRESSLY RESERVED, BY ACCEPTING THIS MATERIAL INFORMATION OF AZTEC TENTS AND ALL RIGHTS THEREIN CONTAINED HEREIN IS HELD IN CONFIDENCE AND IN TRUST AND WILL NOT BE COPIED, REPRODUCED WHOLE OR IN PART, NOR ITS CONTENTS REVEALED IN ANY MANNER TO OTHERS EXCEPT TO MEET THE SPECIFIC PURPOSE FOR WHICH IT WAS DELIVERED.

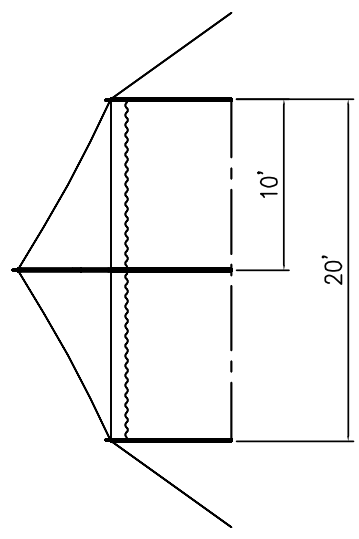


ISOMETRIC VIEW

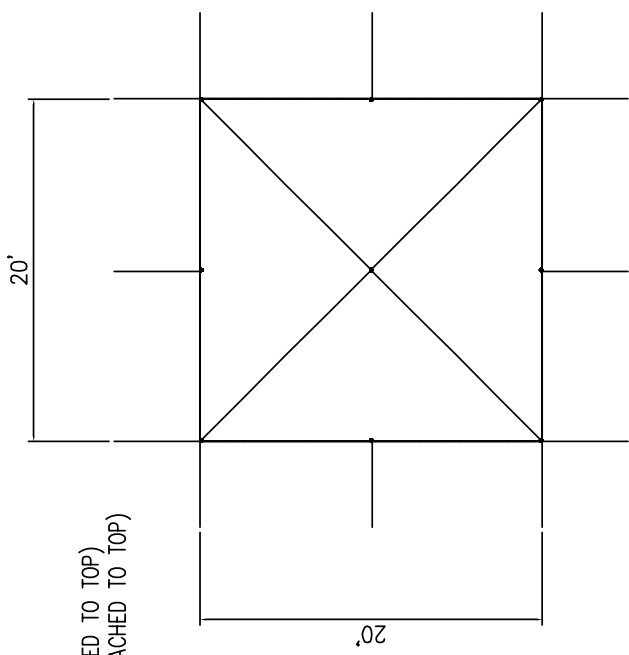
20x20x7 PARTY TENT

PACKING LIST:

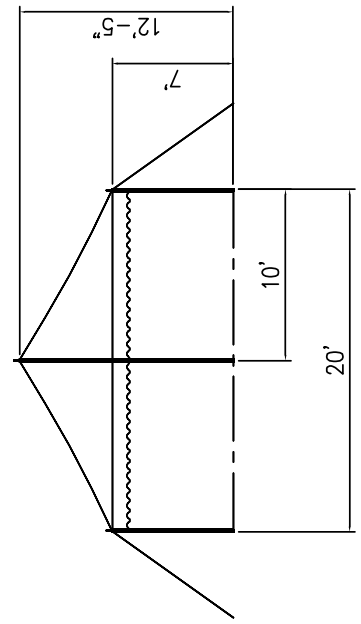
- (8) LEG ASSEMBLY (PIECE G & PIECE J)
- (1) 12'-5" CENTER POLE (PIECE G, PIECE H, PIECE I, PIECE J)
- (1) 20'x20' TOP
- (12) 15" METAL STAKE
- (12) ROPE SLIDER
- (12) 1/4" x 12'-0" GUY ROPE (ATTACHED TO TOP)
- (1) 1/4" x 15'-0" JUMPER ROPE (ATTACHED TO TOP)



SIDE VIEW



PLAN VIEW



END VIEW

K:\cad files\Pole Tent\ATC Canopy\20x20x7.dwg, 6/28/2006 11:17:38 AM, pdfFactory.pcs

# Diagrams- Cont.

REV	DRAWING NUMBER	CODE	SIZE	PART DESCRIPTION	DATE	DRAWN	CHECKED	PROJECT
1	AZ 20307 - ATC CANOPY			ATC CANOPY / STANDARD 20' W x 30' L x 7' LEGS	01/04/05	CM	-	POLE TENT\ATC CANOPY\20x30x7 062806 1210
<p style="text-align: center;">STANDARD</p> <p style="font-size: small;">490 ALASKA AVE. TORRANCE, CA. 90503 (800) 228-3687 - FAX (310) 381-0722</p>					<p style="font-size: x-small;">ALL DATA AND INFORMATION CONTAINED IN OR DISCLOSED BY THIS DOCUMENT IS CONFIDENTIAL AND PROPRIETARY. THE RECIPIENT AGREES THAT THIS MATERIAL AND INFORMATION ARE EXPRESSLY RESERVED, BY ACCEPTING THIS MATERIAL INFORMATION OF AZTEC TENTS AND ALL RIGHTS THEREIN. NOR ITS CONTENTS REVEALED IN ANY MANNER TO OTHERS, AND WILL NOT BE COPIED, REPRODUCED WHOLE OR IN PART, CONTAINED THEREIN IS HELD IN CONFIDENCE AND IN TRUST. EXCEPT TO MEET THE SPECIFIC PURPOSE FOR WHICH IT WAS DELIVERED.</p>			

ISOMETRIC VIEW

PLAN VIEW

SIDE VIEW

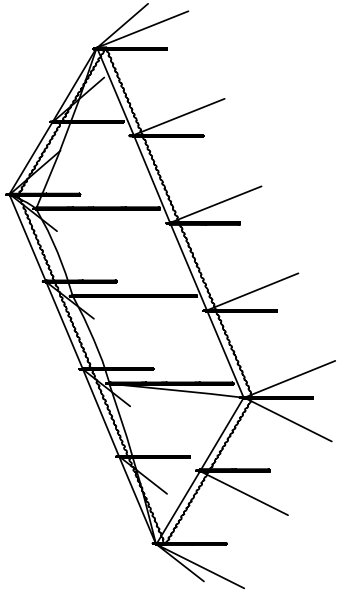
END VIEW

20x30x7 PARTY TENT

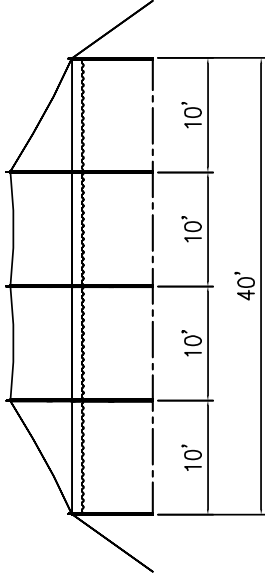
PACKING LIST:

- (10) LEG ASSEMBLY (PIECE G & PIECE J)
- (2) 12'-6" CENTER POLE (PIECE G, PIECE H, PIECE I, PIECE J)
- (1) 20'x30' TOP
- (14) 15" METAL STAKE
- (14) ROPE SLIDER
- (14) 1/4" x 12'-0" GUY ROPE (ATTACHED TO TOP)
- (2) 1/4" x 15'-0" JUMPER ROPE (ATTACHED TO TOP)

K:\cad files\Pole Tent\ATC Canopy\20x30x7.dwg, 6/28/2006 12:09:29 PM, pdfFactory.pcs



ISOMETRIC VIEW

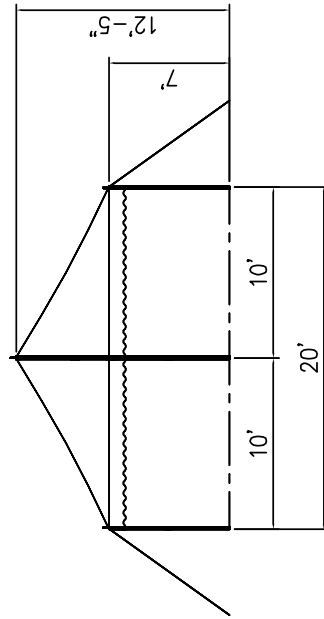


SIDE VIEW

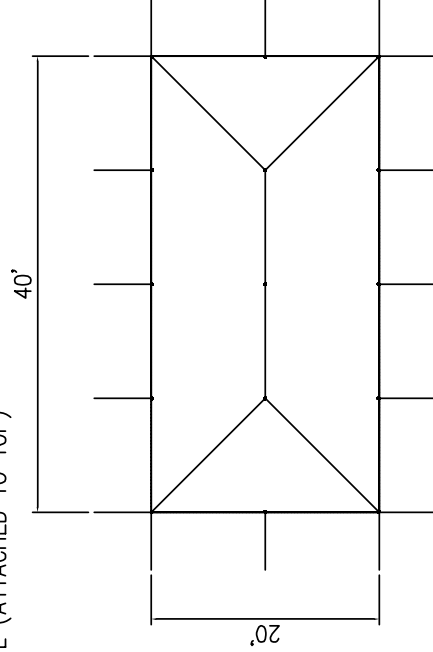
20x40x7 PARTY TENT

PACKING LIST:

- (12) LEG ASSEMBLY (PIECE G & PIECE J)
- (3) 12'-6" CENTER POLE (PIECE G, PIECE H, PIECE I, PIECE J)
- (1) 20'x40' TOP
- (16) 15" METAL STAKE
- (16) ROPE SLIDER
- (16) 1/4" x 12'-0" GUY ROPE (ATTACHED TO TOP)
- (3) 1/4" x 15'-0" JUMPER ROPE (ATTACHED TO TOP)



END VIEW



PLAN VIEW

ALL DATA AND INFORMATION CONTAINED IN OR DISCLOSED BY THIS DOCUMENT IS CONFIDENTIAL AND PROPRIETARY INFORMATION OF AZTEC TENTS AND ALL RIGHTS THEREIN ARE EXPRESSLY RESERVED. BY ACCEPTING THIS MATERIAL THE RECIPIENT AGREES THAT THIS MATERIAL AND INFORMATION CONTAINED THEREIN IS HELD IN CONFIDENCE AND IN TRUST FOR THE EXCLUSIVE USE OF THE PARTY TO WHOM IT IS DELIVERED. NO PART OF THIS DOCUMENT OR ITS CONTENTS REVEALED IN ANY MANNER TO OTHERS, AND WILL NOT BE COPIED, REPRODUCED WHOLE OR IN PART, EXCEPT TO MEET THE SPECIFIC PURPOSE FOR WHICH IT WAS DELIVERED.

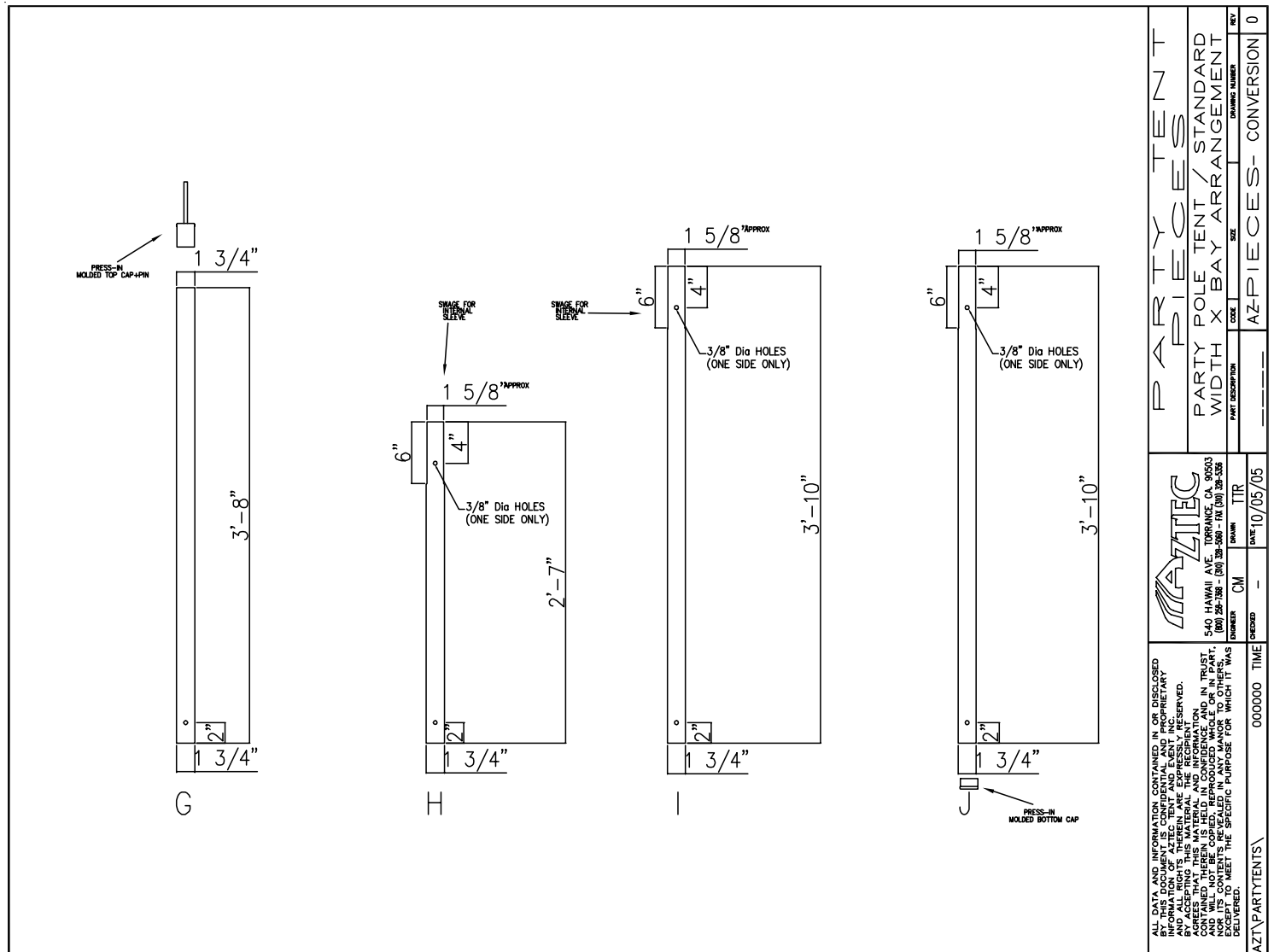


490 ALASKA AVE. TORRANCE, CA 90503  
 (800) 228-3687 - FAX (310) 381-0722

ENGINEER	CM	DRAWN	KT
CHECKED	-	DATE	06/28/06
PROJECT\ATC CANOPY\20x\20x40x7 062806 1455			
PART DESCRIPTION			
CODE	SIZE	DRAWING NUMBER	
		AZ-20407- ATC CANOPY	
REV	0		

STANDARD  
 ATC CANOPY / STANDARD  
 20'W x 40'L x 7' LEGS

PARTS LIST	10X10X7	10X20X7	15X15X7	20X20X7	20X30X7	20X40X7
INSTRUCTIONS	1	1	1	1	1	1
POLE BAG	1	1	1	1	1	1
7'0" SIDE POLE 2PC	4	6	8	8	10	12
9'4" CENTERPOLE 2PC	1	2	0	0	0	0
10'6" CENTERPOLE 3PC	0	0	1	0	0	0
12'6" CENTERPOLE 4PC	0	0	0	1	2	3
24" WELDED HOOK STAKE	8	10	12	12	14	16
CANOPY TOP	10X10	10X20	15X15	20X20	20X30	20X40
CANOPY BAG	1	1	1	1	1	1
3/8" GUY ROPE (ATTACHED TO TOP)	8	10	12	12	14	16
1/4" JUMPER ROPE (ATTACHED TO TOP)	1	2	1	1	2	3



ALL DATA AND INFORMATION CONTAINED IN OR DERIVED FROM THIS DOCUMENT IS CONFIDENTIAL AND PROPRIETARY INFORMATION OF AZTEC TENT AND EVENT INC. AND WILL BE KEPT CONFIDENTIAL BY THE RECIPIENT. THE RECIPIENT SHALL NOT REPRODUCE, COPY, OR DISSEMINATE THIS MATERIAL WITHOUT THE WRITTEN PERMISSION OF AZTEC TENT AND EVENT INC. AND WILL NOT BE COPIED, REPRODUCED, WHOLE OR IN PART, OR TRANSMITTED IN ANY FORM OR BY ANY MEANS, ELECTRONIC OR MECHANICAL, INCLUDING PHOTOCOPYING, RECORDING, OR BY ANY INFORMATION STORAGE AND RETRIEVAL SYSTEM, WITHOUT THE WRITTEN PERMISSION OF AZTEC TENT AND EVENT INC. EXCEPT TO MEET THE SPECIFIC PURPOSE FOR WHICH IT WAS DELIVERED.

**AZTEC TENT AND EVENT INC.**  
 5140 HAWAII AVE - SUITE 100 - WILSONVILLE, OR 97158  
 (503) 264-7888 - FAX (503) 264-5888

DRAWN: CM  
 CHECKED: -  
 DATE: 10/05/05  
 TIR

PART DESCRIPTION: PARTY POLE TENT / STANDARD WIDTH X BAY ARRANGEMENT  
 SIZE: -  
 DRAWING NUMBER: -  
 REV: 0  
 CONVERSION: 0

AZT\PARTYENTS\ 000000 TIME

# Parts Listing

---

Item	Item No.	Weight lbs
1.375" 2pc Alum SP x 7'0" (E,F)	Z3911.375TX07	2
1.75" 2pc Alum SP x 7'0" (G,J)	Z3911.750TX07	2
1.75" 3pc Alum CP x 9'4" (G,H,J)	Z3921.750TX0904	0
1.75" 3pc Alum CP x 10'5" (G,I,J)	Z3921.750TX1005	0
1.75" 4pc Alum CP x 12'6" (G,H,I,J)	Z3921.750TX1206	0
1.375" Alum SP Section "E"	Z3971.375TXE	1
1.375" Alum SP Section "F"	Z3971.375TXF	1
1.75" Alum CP Section "A" ATC	Z3971.750TXA	1
1.75" Alum CP Section "B" ATC	Z3971.750TXB	1
1.75" Alum CP Section "C" ATC	Z3971.750TXC	1
1.75" Alum CP Section "D" ATC	Z3971.750TXD	1
1.75" Alum CP Section "G"	Z3971.750TXG	1
1.75" Alum CP Section "H"	Z3971.750TXH	1
1.75" Alum CP Section "I"	Z3971.750TXI	1
1.75" Alum CP Section "J"	Z3971.750TXJ	1
1.375 OD Pole End Cap (Red)	Z39900020	0.05
1.75 OD Pole End Cap (Black)	Z39900030	0.06
1.75 OD Pole Pin- Plastic	Z39900040	0.2
3/8" Rope Slider- Green	Z39900260	0
ATC Canopy Pole Bag w/Handle	Z39900270	2
Large Canvas Tent Bag w/Handle	Z39900275	3
1/4" Polypro CP Jumper	Z39900400	3
3/8x12 Polypro Tie Down Rope	Z39900470	3

If YOU can IMAGINE it... WE can BUILD it

[www.aztectents.com](http://www.aztectents.com)

**Aztec Tents**

2665 Columbia Street  
Torrance, CA 90503  
Toll Free (800) 228-3687  
Fax (310) 381-0722