

# INSTALL INSTRUCTIONS



If YOU can IMAGINE it... WE can BUILD it

# SERIES 1000

# WARNING!

The safe installation and use of commercial tenting products can vary from site to site and during varying climactic conditions. Careful consideration should be paid to any installation during windy conditions and shall be monitored throughout the duration of the installation. Periodic maintenance and monitoring of the installation by the installer is required. Techniques other than those specified in this document may be required during these types of conditions.

Users and installers shall indemnify and hold harmless Aztec Tent for any claim resulting from the improper installation and/or maintenance of this unit.

Soil conditions also vary from site to site. The included anchoring package for this tent may need to be supplemented with alternate anchoring during windy conditions and in areas with questionable soil holding power. Full product engineering may be available.

# NOTICE

This tent product is not intended to be used as a shelter from severe weather. Aztec assumes no liability for such use. An evacuation plan for the area covered within this tented space is imperative and shall be thoroughly posted for all users and potential occupants of the tent. Severe weather including electrical storm systems, moderate to severe wind, heavy rains, snow, or any condition that raises any doubt to the structural integrity of the tent are immediate signs that an evacuation is necessary. Severe bodily injury and/or death can occur.

The installation of electrical, plumbing, lighting, appliances and/or HVAC equipment are not covered within this manual. Users/Installers shall follow local code requirements for the installation of these items using certified personnel. Aztec Tents shall be indemnified and held harmless from any such use or injury resulting from its use.

## \*\*\*IMPORTANT SAFETY INFORMATION\*\*\*

Proper personnel safety equipment should be worn at all times during the installation of any tenting products.

Hard Hat

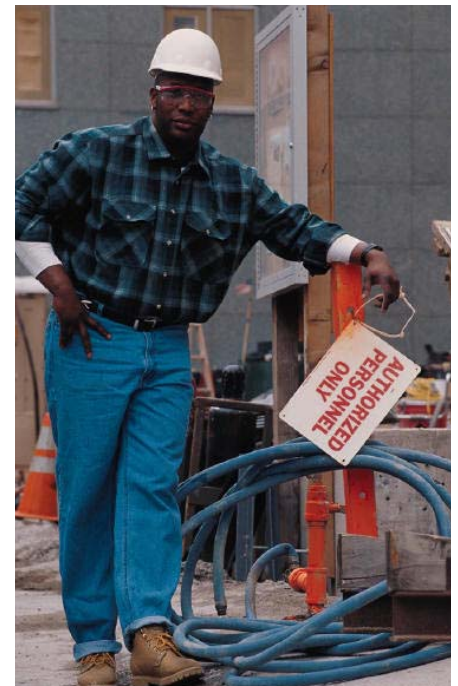
Safety Glasses

Work Gloves

Long Pants

Steel Toe Boots

OSHA Approved Harness and restraint system (for off ground activities)



Thank you for your recent purchase from Aztec Tents. The following procedures will help you through your installation. If you ever run into problems with the installation of your Aztec Tent give one of our sales/service professionals a call. A complete listing of sales, service, and operational support is always available on our website at [www.aztectents.com](http://www.aztectents.com).

# Contents

Install Instructions	4-7
20'x Diagrams	8-10
30'x Diagrams	11-16
40'x Diagrams	17-18
50'x Diagrams	19-20
60'x Diagrams	21-23
Replacement Parts	24

## Questions? Call us.

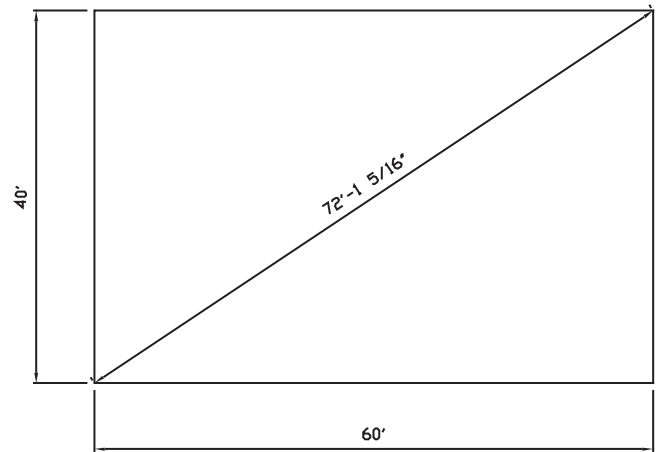
### **Aztec Tents**

2665 Columbia Street  
Torrance, CA 90503 USA  
Direct (310) 347-3010  
Toll Free (800) 228-3687  
Fax (310) 381-0722

# Installation-

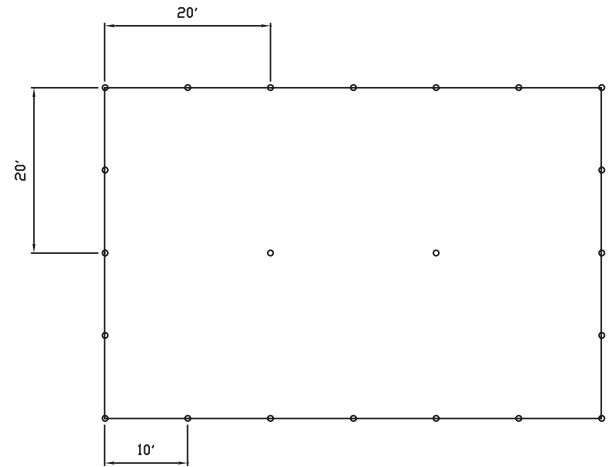
## Step 1:

Square the tent area. Use the below squaring diagram to determine the diagonal or "C" Dimension your tent installation. To calculate your own squaring dimension for your width/length combination use the formula  $A^2+B^2=C^2$ .



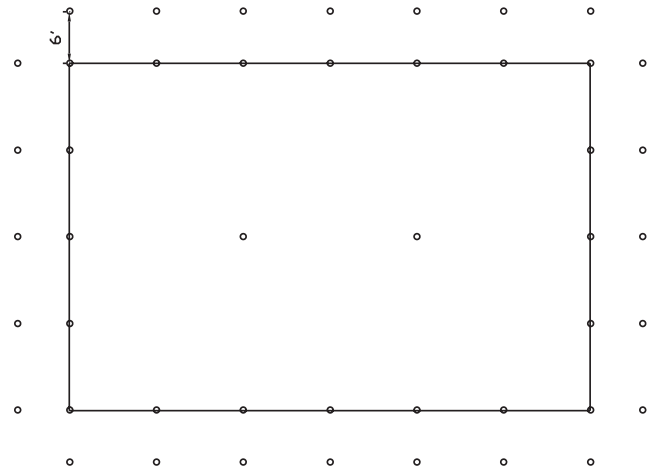
## Step 2:

Mark on the ground with chalk or spray paint the location of the leg and center poles. These locations are identified on the drawing to the right. All legs are spaced 10' on center around the perimeter of the tent. (Legs on the 30' wide units and all legs for 15' middle sections are spaced at 7.5')



## Step 3:

Mark on the ground the location of each stake location. Stakes should be placed at a distance of the length of the leg less 2 feet. (ie. if you use an 8' leg the stake should be placed 6' from the bottom of the leg pole.)



## Step 4:

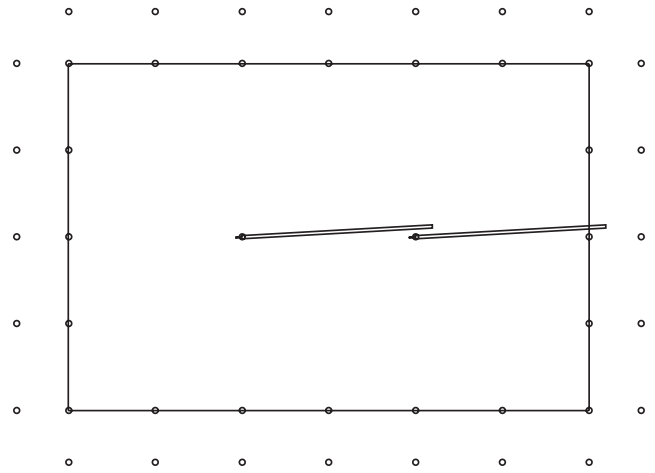
Drive the anchoring stakes. Drive the 1" double headed stake with a sledge hammer into the ground until 6" is left above ground. Tie the tie-down rope to the stake with a clove hitch knot or attach the tie-down ratchet to the stake as close to the ground as possible.

Leave plenty of slack in the tie-down ropes at this time. Adjustments will be made with the tensioning of the tent, so you will want to try to keep from tying off the knot at this time.



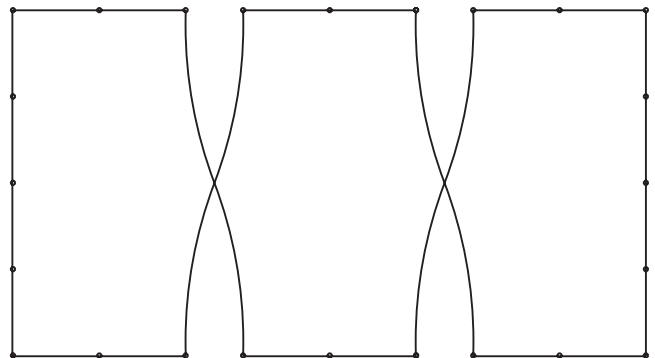
**Step 5:**

Layout a ground cloth over the ground in the tent area. This will protect the tent top fabric. Layout the centerpoles on top of the ground cloth. The top of each centerpole shall be placed at the marked point "A"



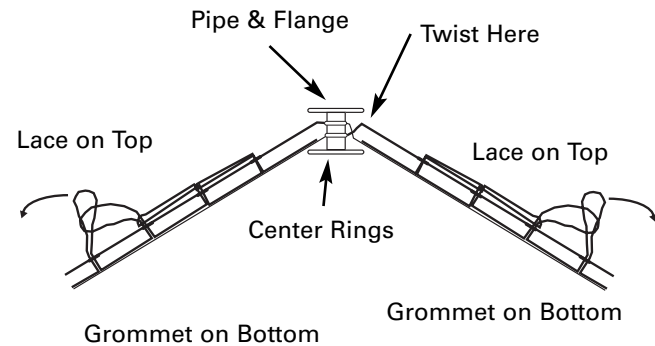
**Step 6:**

Begin laying out the tent fabric. Some tents are constructed with a one piece top while expandable versions utilize sections that are modular allowing the tent to become longer by adding more modular "middle" sections. This illustration shows a 40x60 3pc Expandable Top.



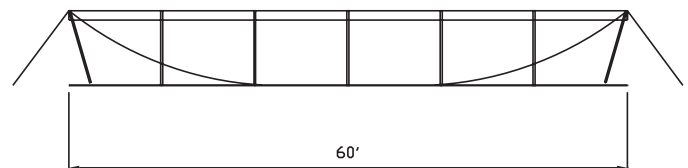
**Step 7:**

Install the 2" round ring located at the top of each tent fabric piece over the top of the centerpole. The ring for the end and the ring for the middle will be placed through the pipe & flange and then slid over the centerpole pin. Begin lacing the tent sections together from the center rings toward the sides. See to illustration to the right for proper lacing technique. As each Series 1000 section is combo LACE/GROMMET you will need to twist the laceline next to the center ring to allow the sections to lace together properly. As you lace the sections together, close the weather flap on the exterior of the tent as you go.



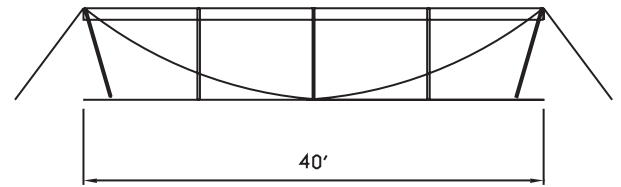
**Step 8:**

Begin installing the legs of the tent. First insert the top fitting of the corner leg pole through the ring on the corner of the tent. Attach the rope tie-down/ratchet to the leader ring on the corner leg and connect to the anchoring stake to make the leg almost vertical. Continue down the length of the tent installing legs and attaching the tie-down ropes/ratchets to the anchoring stakes. Continue with the other long side of the tent, starting at the corner and working down the tent.



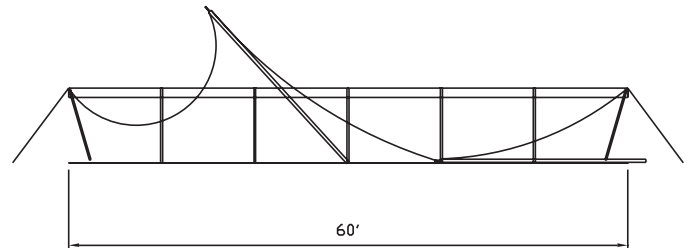
**Step 9:**

Install the legs on the end of the tent as shown in illustration and apply slight tension to the tie-down ropes/ratchets.



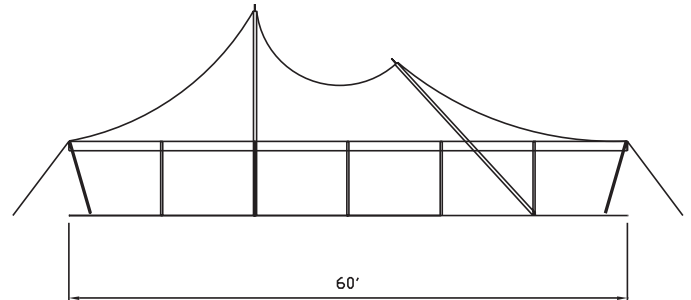
**Step 10:**

Begin raising the centerpoles of the tent. Manual laborers can push the centerpole from its laying position. Make sure that as the centerpole raises, you watch that the base of the centerpole ends up at the mark placed in step 2. This is crucial to proper fit and safety of the installed unit. As you raise the first centerpole the next centerpole will lift slightly off the ground from tension of the tent fabric. Be sure as the centerpoles begin to raise the tops do not snag the tent top fabric.



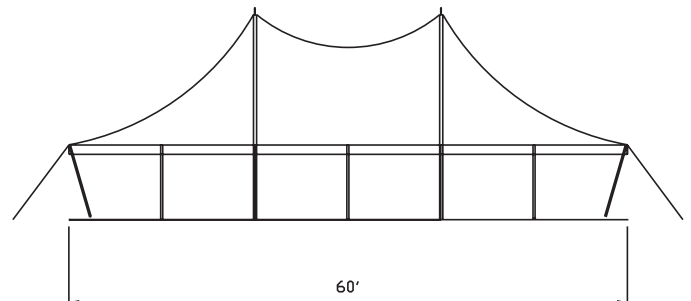
**Step 11:**

Raise remaining centerpole at this time, making sure the base of each centerpole rests on the mark you painted/chalked on the ground in step 2.



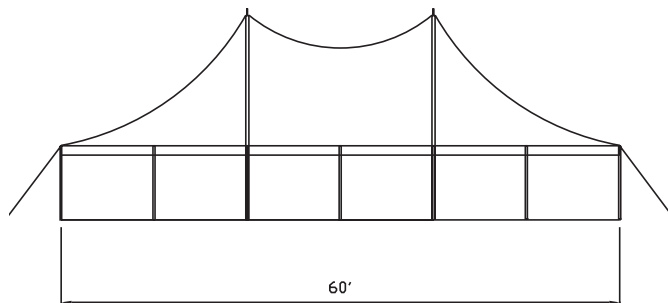
**Step 12:**

Once all centerpoles are installed and in proper location you can move on to step 13.



**Step 13:**

You can now straighten the side legs of the tent. Start at one corner and assure that the corner leg is placed on the mark of the corner measured in step 1. Loosen the rope/ratchet on this first leg and reapply tension until the corner leg pole is plumb. Continue with the other three corner legs, then straighten the legs along the length of the tent. Finally straighten the legs on the end of the tent.



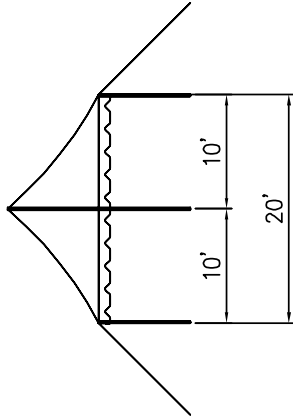
**Step 14:**

Now your tent is ready for installation of sidewalls (if required). The final product will look like the photo shown below and to the right.



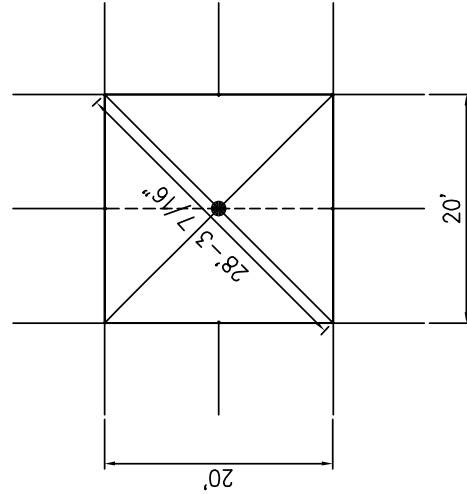
# 20x20 Series 1000

PATENT\SERIES 1000\20x20.dwg		063009	1115	CHECKED	-	DATE	06/10/08
SERIES 1000 / POLE TENT 20'W x 20'L x 10' LEG SPACING		DRAWING NUMBER		AZ-2020-SERIES 1000		REV	
STANDARD		PART DESCRIPTION		CODE		SIZE	
KT		DRAWN		CM		ENGINEER	
2665 COLUMBIA ST. TORRANCE, CA. 90503 (800) 228-3687 - FAX (510) 381-0722		DATE		06/10/08		AZ-2020-SERIES 1000	
ALL DATA AND INFORMATION CONTAINED IN OR DISCLOSED BY THIS DOCUMENT IS CONFIDENTIAL AND PROPRIETARY INFORMATION OF AZTEC TENTS AND ALL RIGHTS THEREIN ARE EXPRESSLY RESERVED. BY ACCEPTING THIS MATERIAL THE RECIPIENT AGREES THAT THIS MATERIAL AND INFORMATION WILL NOT BE COPIED, REPRODUCED WHOLE OR IN PART, NOR ITS CONTENTS REVEALED IN ANY MANNER TO OTHERS, EXCEPT TO MEET THE SPECIFIC PURPOSE FOR WHICH IT WAS DELIVERED.							

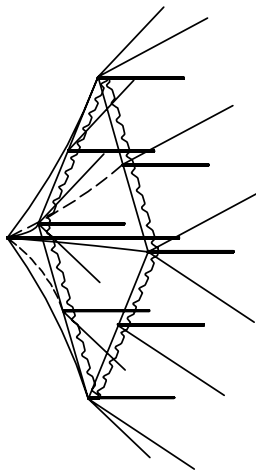


SIDE VIEW

● = CENTER POLES NOT TO SCALE



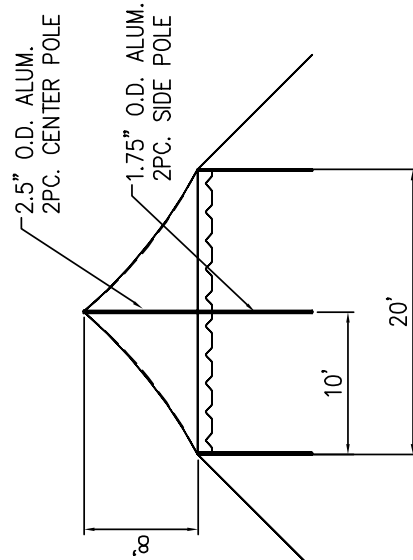
PLAN VIEW



ISOMETRIC VIEW

SERIES 1000 TENT  
20' x 20'

- (2) 20'x10' ENDS
- (1) 2.5" O.D. 2PC. CENTER POLE (7'L 15' / 8'L 16')
- (8) 1.75" O.D. SIDE POLE (7'L / 8'L)
- (12) 1" IN LINE RATCHETS
- (13) STAKES



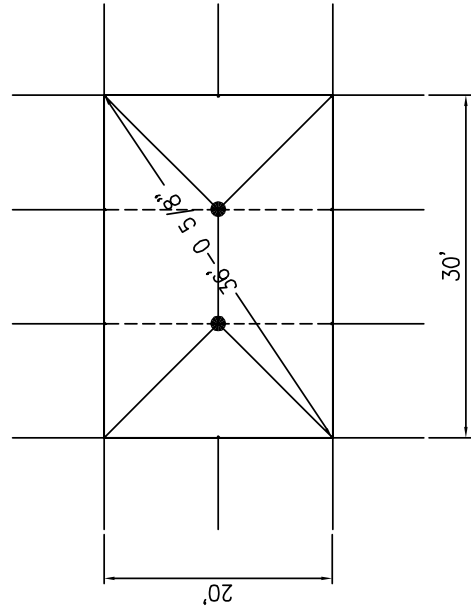
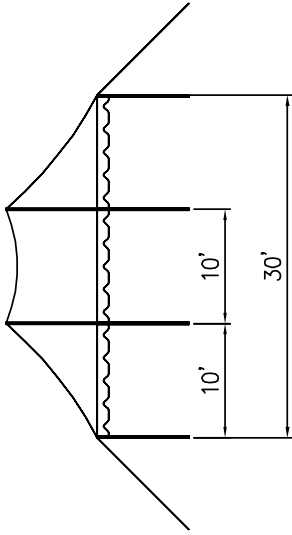
FRONT VIEW



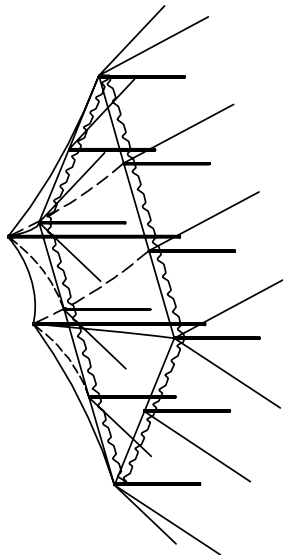
# 20x30 Series 1000

POLE TENT \SERIES 1000\20x\20x30		063009 1120	CHECKED -	DATE 06/10/08	ENGINEER CM	DRAWN KT	2865 COLUMBIA ST. TORRANCE, CA 90503 (800) 228-3687 - FAX (310) 381-0722	STANDARD
SERIES 1000 / POLE TENT 20'W x 30'L x 10' MIDDLE		REV	CODE	SIZE	DRAWING NUMBER	AZ-2030-SERIES 1000		

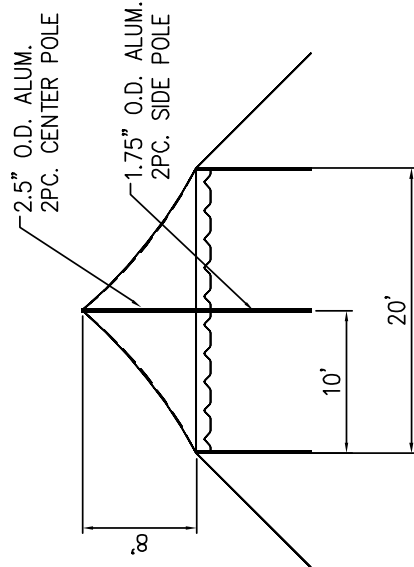
ALL DATA AND INFORMATION CONTAINED IN OR DISCLOSED BY THIS DOCUMENT IS CONFIDENTIAL AND PROPRIETARY. THE RECIPIENT AGREES THAT THIS MATERIAL AND INFORMATION ARE EXPRESSLY RESERVED. BY ACCEPTING THIS MATERIAL AND INFORMATION OF AZTEC TENTS AND ALL RIGHTS THEREIN CONTAINED THEREIN IS HELD IN CONFIDENCE AND IN TRUST AND WILL NOT BE COPIED, REPRODUCED WHOLE OR IN PART, NOR ITS CONTENTS REVEALED IN ANY MANNER TO OTHERS. EXCEPT TO MEET THE SPECIFIC PURPOSE FOR WHICH IT WAS DELIVERED.



● = CENTER POLES NOT TO SCALE

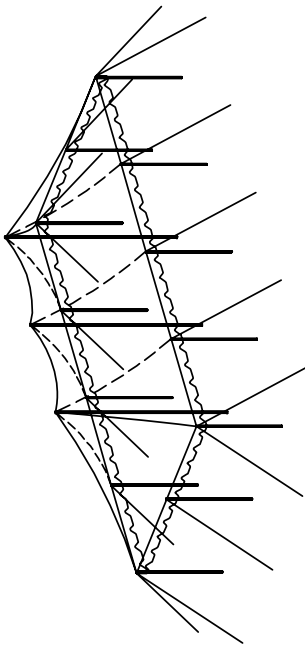


- SERIES 1000 TENT**  
20' x 30'
- (2) 20'x10' ENDS
  - (1) 20'x10' MIDDLE
  - (2) 2.5" O.D. 2PC. CENTER POLE (7'L 15' / 8'L 16')
  - (10) 1.75" O.D. SIDE POLE (7'L / 8'L)
  - (14) 1" IN LINE RATCHETS
  - (16) STAKES

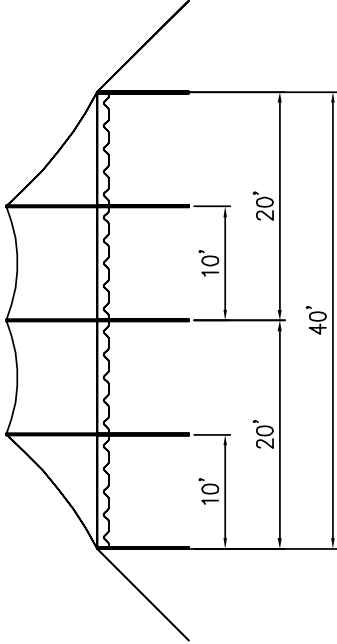


# 20x40 Series 1000

AZ-2040 - SERIES 1000		DATE 06/10/08	CHECKED -	063009 1120	POLENT\SERIES 1000\20x40
REV	DRAWING NUMBER	ENGINEER CM	DATE 06/10/08	063009 1120	ALL DATA AND INFORMATION CONTAINED IN OR DISCLOSED BY THIS DOCUMENT IS CONFIDENTIAL AND PROPRIETARY INFORMATION OF AZTEC TENTS AND ALL RIGHTS THEREIN ARE EXPRESSLY RESERVED. BY ACCEPTING THIS MATERIAL THE RECIPIENT AGREES THAT THIS MATERIAL AND INFORMATION CONTAINED HEREIN IS HELD IN CONFIDENCE AND IN TRUST, AND WILL NOT BE COPIED, REPRODUCED WHOLE OR IN PART, FOR HIS CONTENTS REVEALED IN ANY MANNER TO OTHERS, EXCEPT TO MEET THE SPECIFIC PURPOSE FOR WHICH IT WAS DELIVERED.
SERIES 1000 / POLE TENT 20'W x 40'L x 10' MIDDLES		2665 COLUMBIA ST. TORRANCE, CA 90503 (800) 228-3687 - FAX (310) 381-0722		AZTEC	
STANDARD					



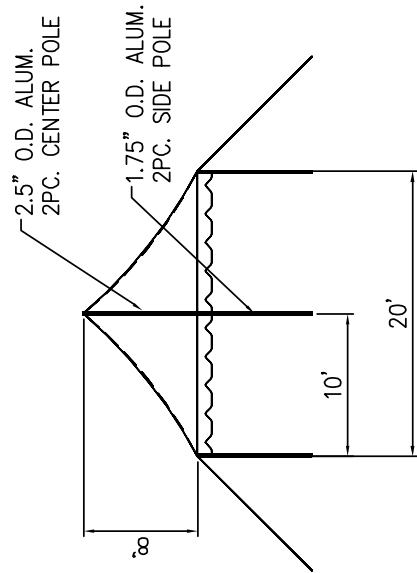
ISOMETRIC VIEW



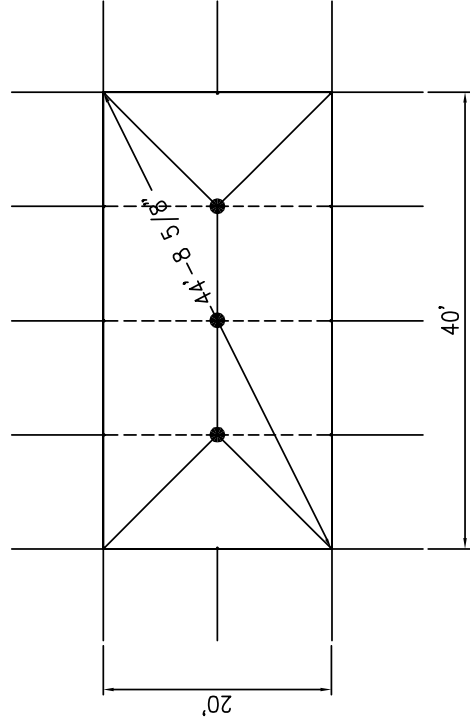
SIDE VIEW

SERIES 1000 TENT  
20' x 40'

- (2) 20'x10' ENDS
- (2) 20'x10' MIDDLE
- (3) 2.5" O.D. 2PC. CENTER POLE (7'L 15' / 8'L 16')
- (12) 1.75" O.D. SIDE POLE (7'L / 8'L)
- (16) 1" IN LINE RATCHETS
- (19) STAKES



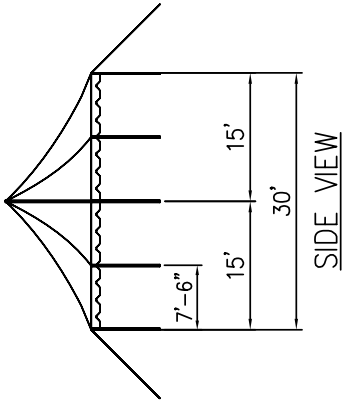
FRONT VIEW



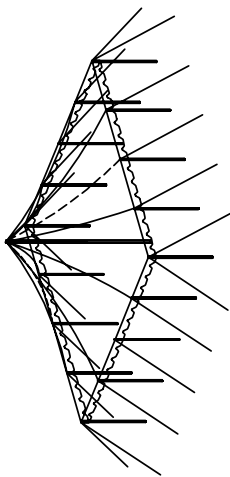
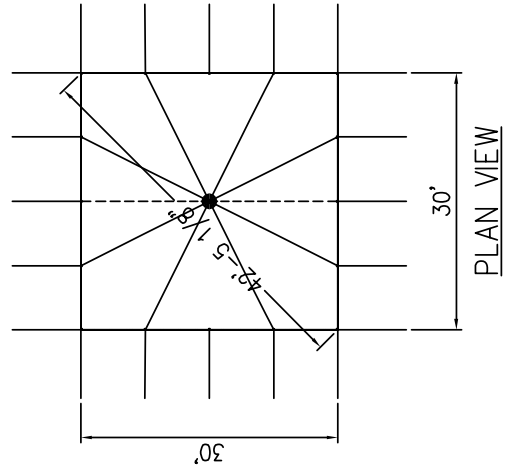
PLAN VIEW

# 30x30 Series 1000

1		AZ3030 - SERIES 1000		DATE 06/10/08		CHECKED -		063009 1135		POLE TENT \SERIES 1000\30x30x30	
REV		DRAWING NUMBER		DRAWN KT		ENGINEER CM		2665 COLUMBIA ST. TORRANCE, CA. 90503 (800) 228-3687 - FAX (310) 381-0722		ALL DATA AND INFORMATION CONTAINED IN OR DISCLOSED BY THIS DOCUMENT IS CONFIDENTIAL AND PROPRIETARY. THE RECIPIENT AGREES THAT THIS MATERIAL AND INFORMATION ARE EXPRESSLY RESERVED, BY ACCEPTING THIS MATERIAL AND INFORMATION CONTAINED HEREIN IS HELD IN CONFIDENCE AND IN TRUST AND WILL NOT BE COPIED, REPRODUCED WHOLE OR IN PART, NOR ITS CONTENTS REVEALED IN ANY MANNER TO OTHERS, EXCEPT TO MEET THE SPECIFIC PURPOSE FOR WHICH IT WAS DELIVERED.	
STANDARD				SERIES 1000 / POLE TENT 30'W x 30'L x 7'-6" LEG SPACING							

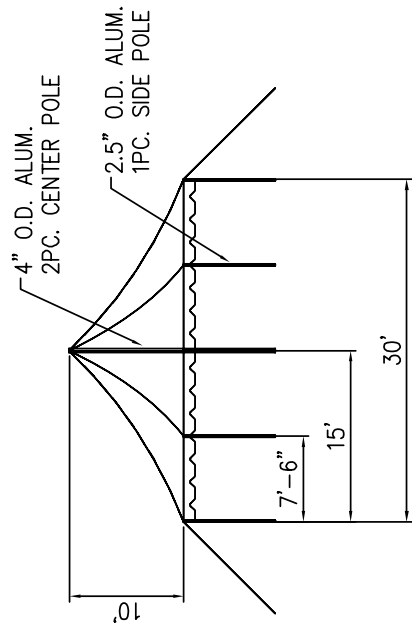


● = CENTER POLES NOT TO SCALE




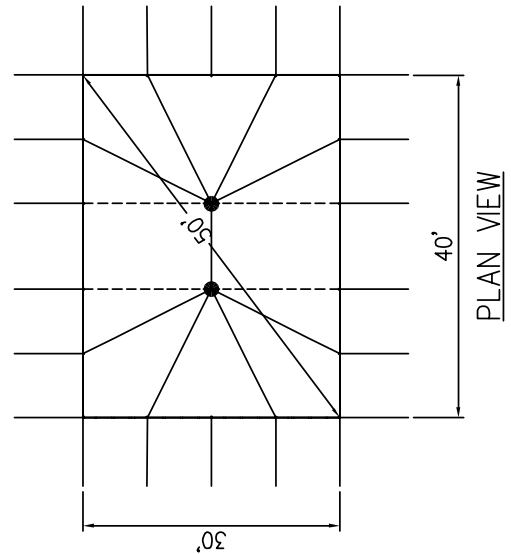
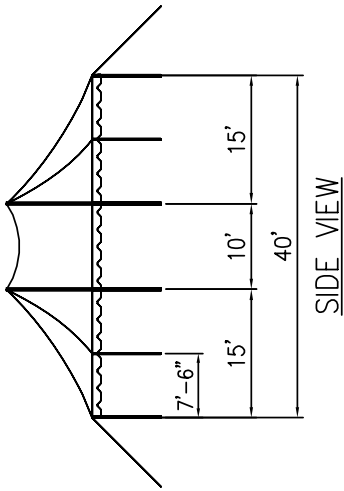
SERIES 1000 TENT  
30' x 30'

- (2) 30'x15' ENDS
- (1) 4" O.D. 2PC. CENTER POLE (7'L 17' / 8'L 18')
- (16) 2.5" O.D. SIDE POLE (7'L / 8'L)
- (20) 1" IN LINE RATCHETS
- (21) STAKES

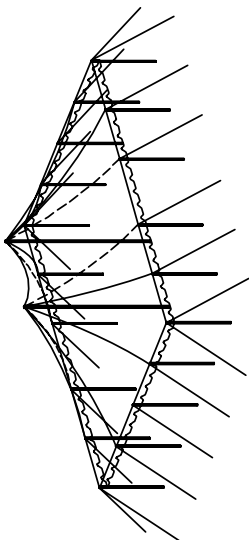


# 30x40 Series 1000

STANDARD				ALL DATA AND INFORMATION CONTAINED IN OR DISCLOSED BY THIS DOCUMENT IS CONFIDENTIAL AND PROPRIETARY INFORMATION OF AZTEC TENTS AND ALL RIGHTS THEREIN ARE EXPRESSLY RESERVED. BY ACCEPTING THIS MATERIAL, THE RECIPIENT AGREES THAT THIS MATERIAL AND INFORMATION CONTAINED THEREIN IS HELD IN CONFIDENCE AND IN TRUST, AND WILL NOT BE COPIED, REPRODUCED WHOLE OR IN PART, FOR ITS CONTENTS REVEALED IN ANY MANNER TO OTHERS, EXCEPT TO MEET THE SPECIFIC PURPOSE FOR WHICH IT WAS DELIVERED.	
SERIES 1000 / POLE TENT 30'W x 40'L x 10' MIDDLE		2665 COLUMBIA ST. TORRANCE, CA. 90503 (800) 228-3687 - FAX (310) 381-0722		ENGINEER CM	PROJECT NO. 063009 1135
PART DESCRIPTION		DATE 06/10/08	CHECKED -	REV	1
CODE	SIZE	DRAWING NUMBER	REV		
AZ3040	30' x 40'	KT	1	POLE TENT \SERIES 1000\30x\30x40	

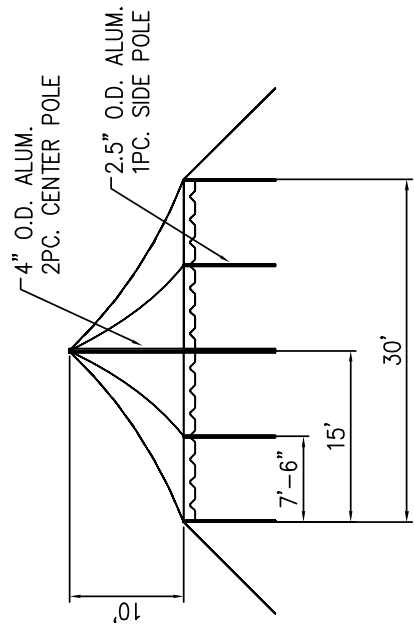


● = CENTER POLES NOT TO SCALE

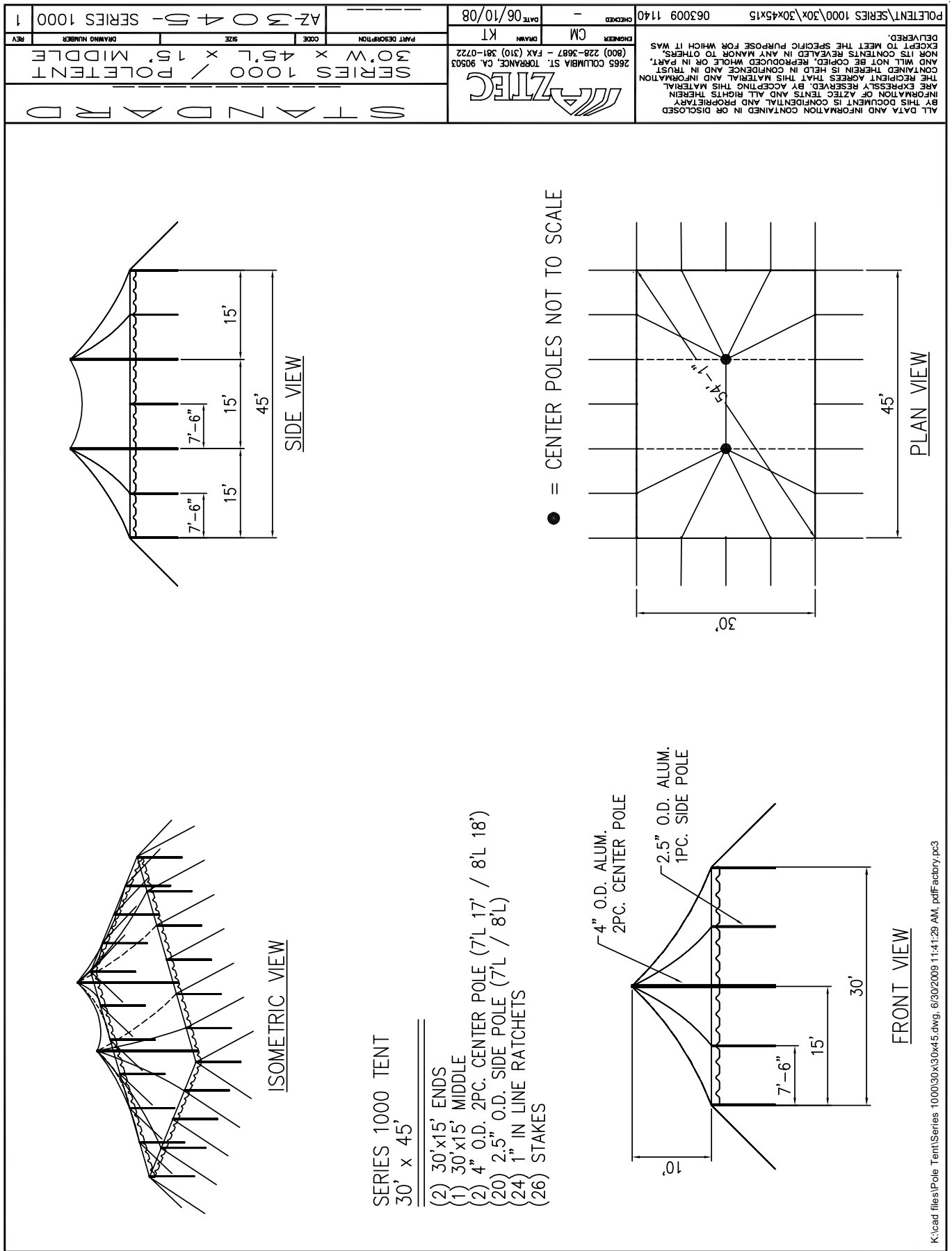


SERIES 1000 TENT  
30' x 40'

- (2) 30'x15' ENDS
- (1) 30'x10' MIDDLE
- (2) 4" O.D. 2PC. CENTER POLE (7'L 17' / 8'L 18')
- (18) 2.5" O.D. SIDE POLE (7'L / 8'L)
- (22) 1" IN LINE RATCHETS
- (24) STAKES




# 30x45 Series 1000

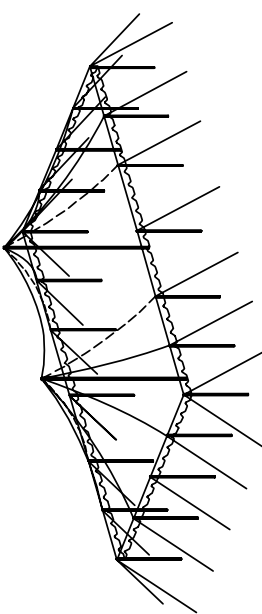


K:\cad files\Pole Tent\Series 1000\30x45x15.dwg, 6/30/2009 11:41:29 AM, pdfFactory.pcc

# 30x50 Series 1000

REV	DRAWING NUMBER	DATE	CHECKED	ENGINEER	DRAWN
1	AZ-3050-SERIES 1000	06/10/08	-	CM	KT
PART DESCRIPTION		2665 COLUMBIA ST. TORRANCE, CA. 90503 (800) 228-3687 - FAX (310) 381-0722			
SIZE		SERIES 1000 / POLETENT 30'W x 50'L x 20' MIDDLE			
					
ALL DATA AND INFORMATION CONTAINED IN OR DISCLOSED BY THIS DOCUMENT IS CONFIDENTIAL AND PROPRIETARY INFORMATION OF AZTEC TENTS AND ALL RIGHTS THEREIN ARE EXPRESSLY RESERVED. BY ACCEPTING THIS MATERIAL THE RECIPIENT AGREES THAT THIS MATERIAL AND INFORMATION CONTAINED HEREIN IS HELD IN CONFIDENCE AND IN TRUST AND WILL NOT BE COPIED, REPRODUCED WHOLE OR IN PART, EXCEPT TO MEET THE SPECIFIC PURPOSE FOR WHICH IT WAS DELIVERED.					

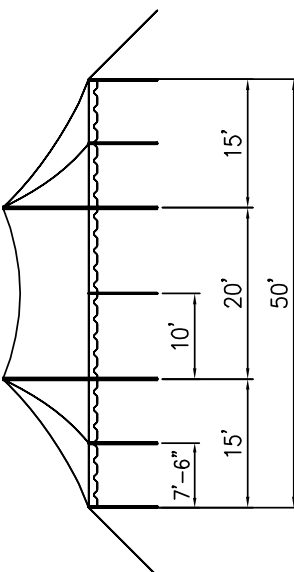


ISOMETRIC VIEW

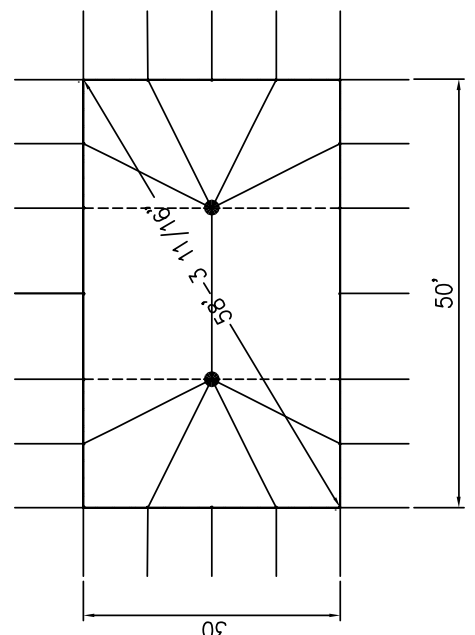
**SERIES 1000 TENT**  
30' x 50'

- (2) 30'x15' ENDS
- (1) 30'x20' MIDDLE
- (2) 4" O.D. 2PC. CENTER POLE (7'L 17' / 8'L 18')
- (20) 2.5" O.D. SIDE POLE (7'L / 8'L)
- (24) 1" IN LINE RATCHETS
- (26) STAKES



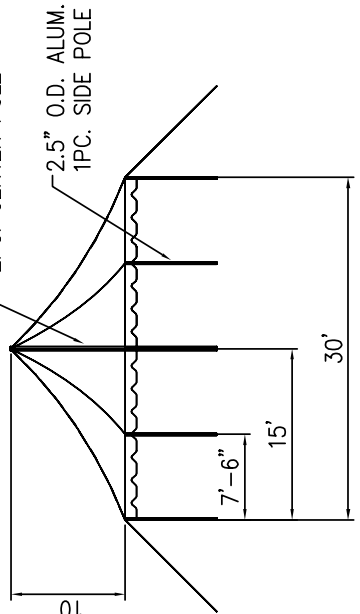
SIDE VIEW



PLAN VIEW

● = CENTER POLES NOT TO SCALE



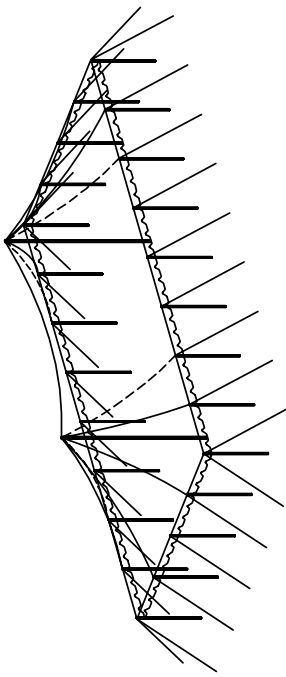
FRONT VIEW

4" O.D. ALUM.  
2PC. CENTER POLE

2.5" O.D. ALUM.  
1PC. SIDE POLE

# 30x60 Series 1000 w/ 2 CP

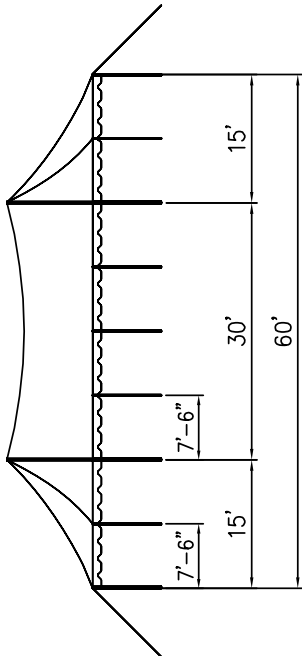
REV	DRAWING NUMBER	SIZE	CODE	PART DESCRIPTION	DATE	CHECKED	DRAWN	DATE
1	AZ-3060-SERIES 1000	-	-	SERIES 1000 / POLE TENT 30' W x 60' L x 30' MIDDLE	06/10/08	-	CM	06/10/08



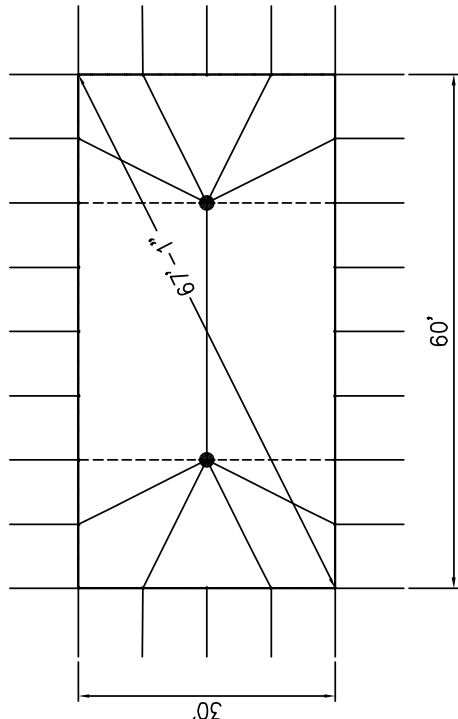
ISOMETRIC VIEW

**SERIES 1000 TENT**  
30' x 60'

- (2) 30'x15' ENDS
- (1) 30'x30' MIDDLE
- (2) 4" O.D. 2PC. CENTER POLE (7'L 17' / 8'L 18')
- (24) 2.5" O.D. SIDE POLE (7'L / 8'L)
- (28) 1" IN LINE RATCHETS
- (30) STAKES

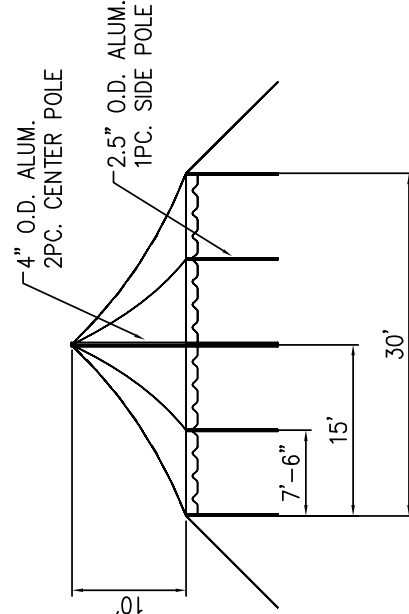


SIDE VIEW



PLAN VIEW

● = CENTER POLES NOT TO SCALE



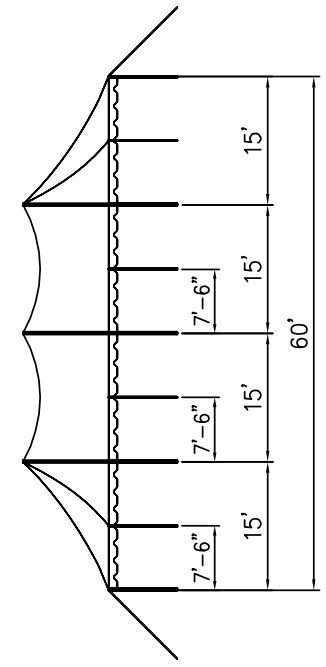
FRONT VIEW

ALL DATA AND INFORMATION CONTAINED IN OR DISCLOSED BY THIS DOCUMENT IS CONFIDENTIAL AND PROPRIETARY INFORMATION OF AZTEC TENTS AND ALL RIGHTS HEREIN ARE EXPRESSLY RESERVED. BY ACCEPTING THIS MATERIAL THE RECIPIENT AGREES THAT THIS MATERIAL AND INFORMATION CONTAINED THEREIN IS HELD IN CONFIDENCE AND IN TRUST AND WILL NOT BE COPIED, REPRODUCED WHOLE OR IN PART, NOR ITS CONTENTS REVEALED IN ANY MANNER TO OTHERS. EXCEPT TO MEET THE SPECIFIC PURPOSE FOR WHICH IT WAS DEVELOPED.

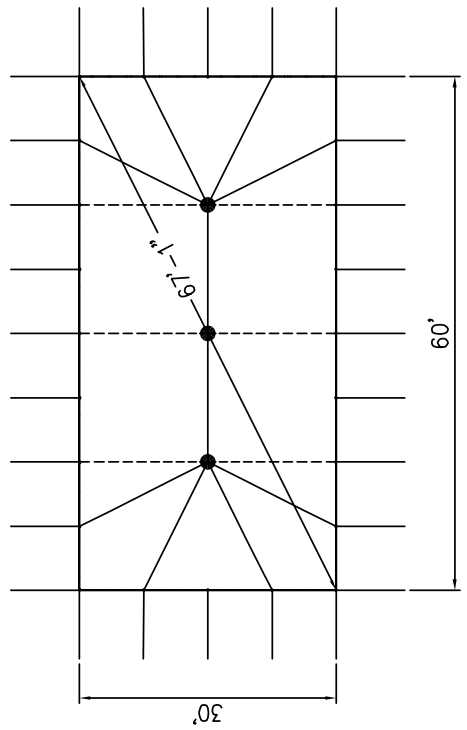
K:\cad files\Pole Tent\Series 1000\30x30x60.dwg, 6/30/2009 11:42:43 AM, pdfFactory.pc3

# 30x60 Series 1000 w/3 CP

AZ-3060-SERIES 1000		DATE 06/10/08	CHECKED -	063009 1145
REV	DRAWING NUMBER	DRAWN KT	ENGINEER CM	POLENT\SERIES 1000\30x30x60x15
PART DESCRIPTION		2685 COLUMBIA ST. TORRANCE, CA. 90503 (800) 228-3687 - FAX (310) 381-0722 <b>AZTEC</b>		
SERIES 1000 / POLENT		ALL DATA AND INFORMATION CONTAINED IN OR DISCLOSED BY THIS DOCUMENT IS CONFIDENTIAL AND PROPRIETARY INFORMATION OF AZTEC TENTS AND ALL RIGHTS THEREIN ARE EXPRESSLY RESERVED. BY ACCEPTING THIS MATERIAL THE RECIPIENT AGREES THAT THIS MATERIAL AND INFORMATION CONTAINED THEREIN IS HELD IN CONFIDENCE AND IN TRUST AND WILL NOT BE COPIED, REPRODUCED WHOLE OR IN PART, NOR ITS CONTENTS REVEALED IN ANY MANNER TO OTHERS EXCEPT TO MEET THE SPECIFIC PURPOSE FOR WHICH IT WAS DELIVERED.		
30'W x 60'L x 15' MIDDLES				
STANDARD				

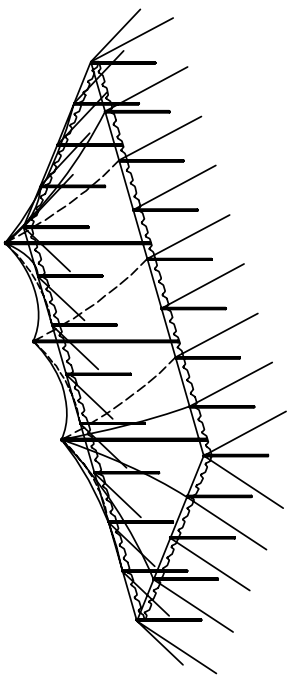


SIDE VIEW



PLAN VIEW

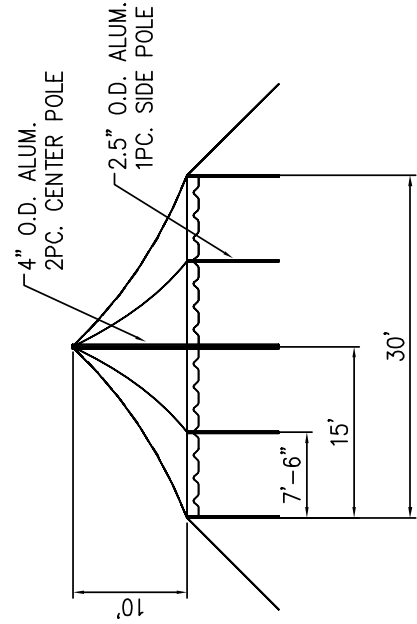
● = CENTER POLES NOT TO SCALE



ISOMETRIC VIEW

SERIES 1000 TENT  
30' x 60'

- (2) 30'x15' ENDS
- (2) 30'x15' MIDDLE
- (3) 4" O.D. 2PC. CENTER POLE (7'L 17' / 8'L 18')
- (24) 2.5" O.D. SIDE POLE (7'L / 8'L)
- (28) 1" IN LINE RATCHETS
- (31) STAKES



FRONT VIEW

K:\cad files\Pole Tent\Series 1000\30x30x60x15.dwg, 6/30/2009 11:44:17 AM, pdfFactory.pcs



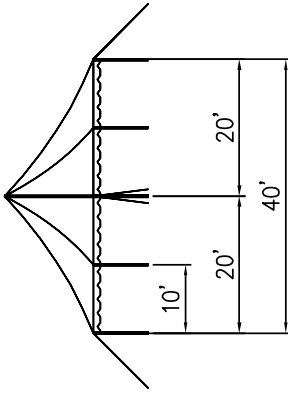
# 40x40 Series 1000

AZ-4040-SERIES 1000		KT	CM	06/11/08	063009 1150	POLETENT\SERIES 1000\40x40x40
REV	DRAWING NUMBER	SIZE	CODE	PART DESCRIPTION	ENGINEER	CHECKED
1				SERIES 1000 / POLETENT 40'W x 40'L x 10' LEG SPACING	2665 COLUMBIA ST. TORRANCE, CA. 90503 (800) 228-3687 - FAX (310) 361-0722	-

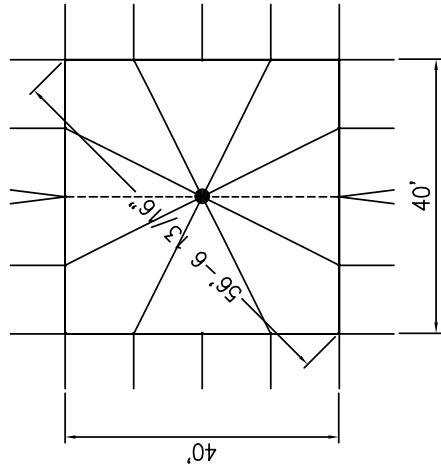
ALL DATA AND INFORMATION CONTAINED IN OR DISCLOSED BY THIS DOCUMENT IS CONFIDENTIAL AND PROPRIETARY INFORMATION OF AZTEC TENTS AND ALL RIGHTS THEREIN ARE EXPRESSLY RESERVED. BY ACCEPTING THIS MATERIAL THE RECIPIENT AGREES THAT THIS MATERIAL AND INFORMATION CONTAINED HEREIN IS HELD IN CONFIDENCE AND IN TRUST AND WILL NOT BE COPIED, REPRODUCED WHOLE OR IN PART, EXCEPT TO MEET THE SPECIFIC PURPOSE FOR WHICH IT WAS DELIVERED.



STANDARD

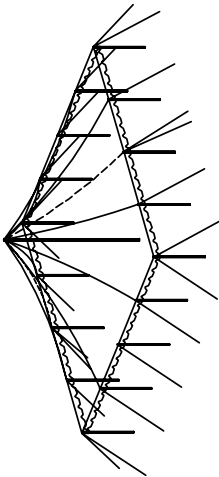


SIDE VIEW



PLAN VIEW

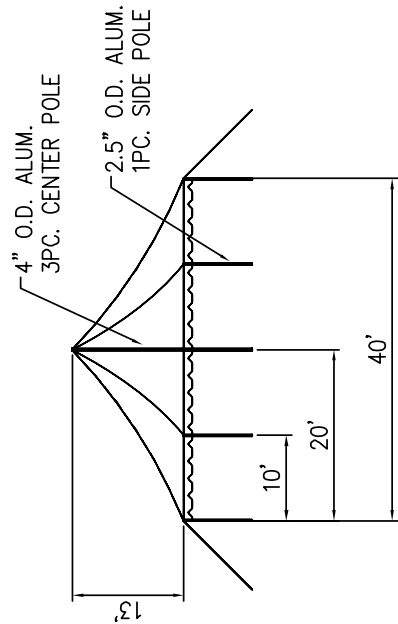
● = CENTER POLES NOT TO SCALE



ISOMETRIC VIEW

SERIES 1000 TENT  
40' x 40'

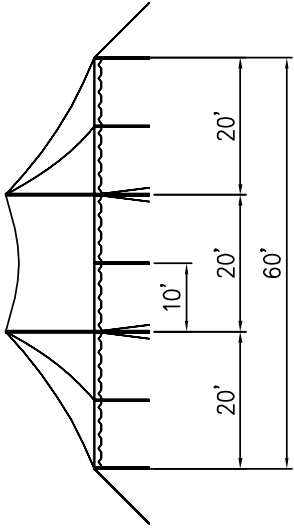
- (2) 40'x20' ENDS
- (1) 4" O.D. 3PC. CENTER POLE (7'L 20' / 8'L 21')
- (16) 2.5" O.D. SIDE POLE (7'L / 8'L)
- (20) 2" IN LINE RATCHETS
- (23) STAKES



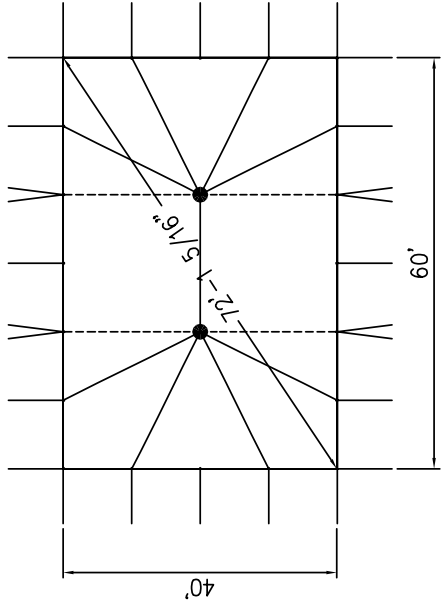
FRONT VIEW

# 40x60 Series 1000

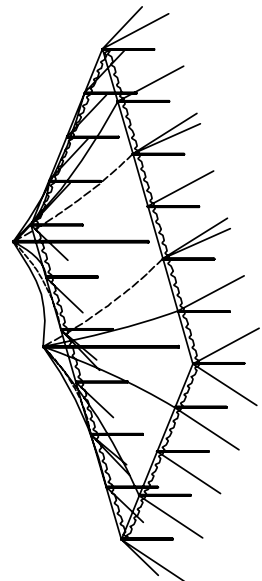
POLTEMT\SERIES 1000\40x40x60		063009 1200	CHECKED	-	DATE	06/10/08
SERIES 1000 / POLETENT		ENGINEER	CM	DRAWN	KT	
STANDARD		2665 COLUMBIA ST. TORRANCE, CA. 90503 (800) 228-3687 - FAX (310) 361-0722				
AZ-4060-SERIES 1000 2		ALL DATA AND INFORMATION CONTAINED IN OR DISCLOSED BY THIS DOCUMENT IS CONFIDENTIAL AND PROPRIETARY INFORMATION OF AZTEC TENTS AND ALL RIGHTS THEREIN ARE EXPRESSLY RESERVED. BY ACCEPTING THIS MATERIAL THE RECIPIENT AGREES THAT THIS MATERIAL AND INFORMATION CONTAINED HEREIN IS HELD IN CONFIDENCE AND IN TRUST AND WILL NOT BE COPIED, REPRODUCED WHOLE OR IN PART, NOR ITS CONTENTS REVEALED IN ANY MANNER TO OTHERS, EXCEPT TO MEET THE SPECIFIC PURPOSE FOR WHICH IT WAS DELIVERED.				
REV	DRAWING NUMBER	SIZE	CODE	PART DESCRIPTION		
				40'W x 60'L x 20' MIDDLE		



SIDE VIEW



PLAN VIEW

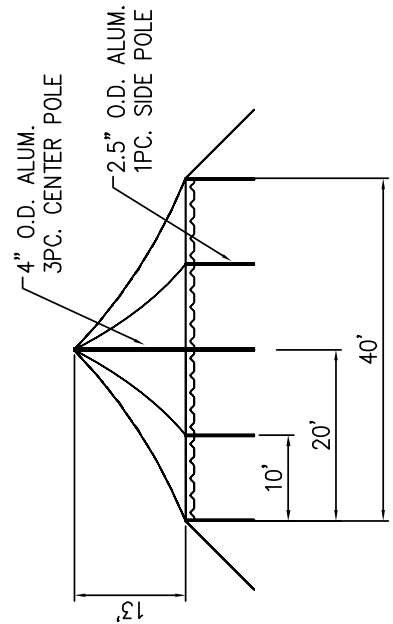


ISOMETRIC VIEW

SERIES 1000 TENT  
40' x 60'

- (2) 40'x20' ENDS
- (1) 40'x20' MIDDLE
- (2) 4" O.D. 3PC. CENTER POLE (7'L 20' / 8'L 21')
- (20) 2.5" O.D. SIDE POLE (7'L / 8'L)
- (24) 2" IN LINE RATCHETS
- (30) STAKES

● = CENTER POLES NOT TO SCALE

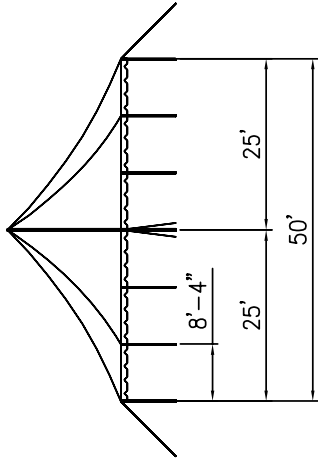


FRONT VIEW

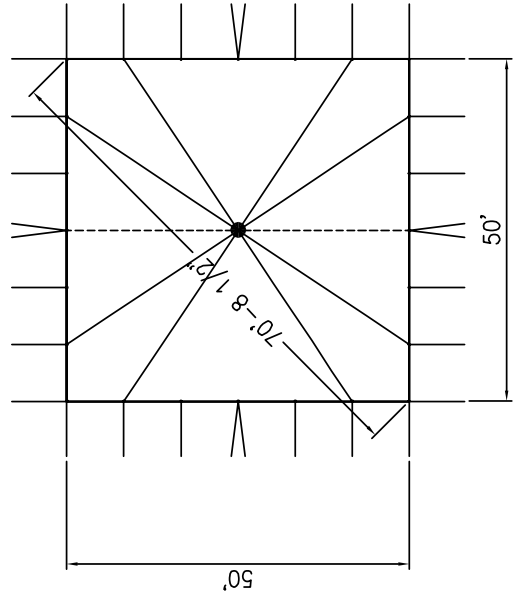
K:\cad files\Pole Tent\Series 1000\40x40x60.dwg, 6/30/2009 12:00:28 PM, pdfFactory.pcs

# 50x50 Series 1000

AZ-5050-SERIES 1000		DATE 06/11/08	CHECKED -	063009 1210	POLENT\SERIES 1000\50x50x50
REV	DRAWING NUMBER	DRAWN KT	ENGINEER CM		
PART DESCRIPTION		2665 COLUMBIA ST. TORRANCE, CA. 90503 (800) 228-3687 - FAX (310) 381-0722 <b>AZTEC</b>			
SIZE		ALL DATA AND INFORMATION CONTAINED IN OR DISCLOSED BY THIS DOCUMENT IS CONFIDENTIAL AND PROPRIETARY INFORMATION OF AZTEC TENTS AND ALL RIGHTS THEREIN ARE EXPRESSLY RESERVED. BY ACCEPTING THIS MATERIAL THE RECIPIENT AGREES THAT THIS MATERIAL AND INFORMATION CONTAINED HEREIN IS HELD IN CONFIDENCE AND IN TRUST AND WILL NOT BE COPIED, REPRODUCED WHOLE OR IN PART, NOR ITS CONTENTS REVEALED IN ANY MANNER TO OTHERS, EXCEPT TO MEET THE SPECIFIC PURPOSE FOR WHICH IT WAS DELIVERED.			
SERIES 1000 / POLENT		50'W x 50'L x 8'-4" LEG SPACING			
STANDARD					

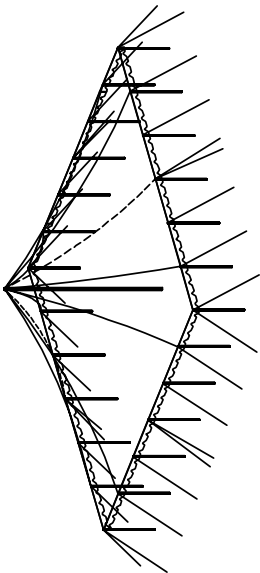


SIDE VIEW



PLAN VIEW

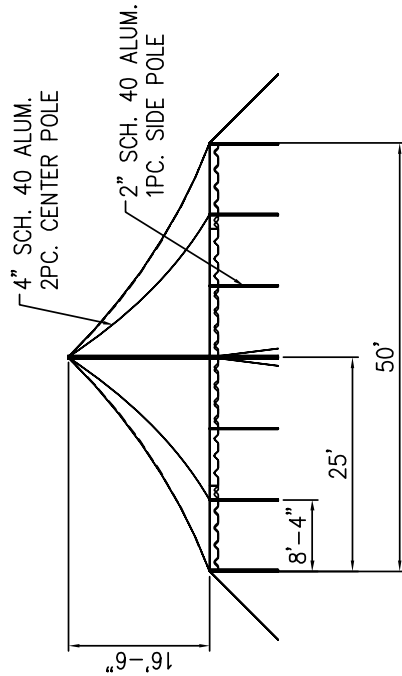
● = CENTER POLES NOT TO SCALE



ISOMETRIC VIEW

SERIES 1000 TENT  
50' x 50'

- (2) 50'x25' ENDS
- (1) 4" SCH. 40 2PC. CENTER POLE (7'L 23'-6" / 8'L 24'-6")
- (24) 2" SCH. 40 SIDE POLE (7'L / 8'L)
- (28) 2" IN LINE RATCHETS
- (31) STAKES

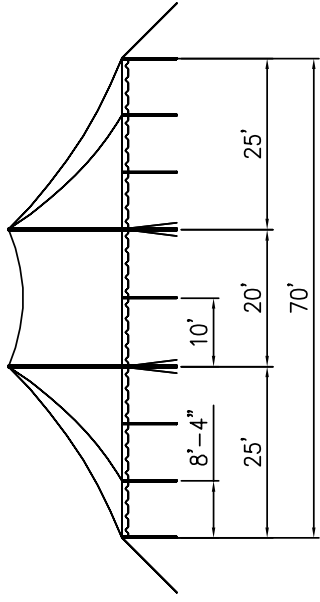


FRONT VIEW

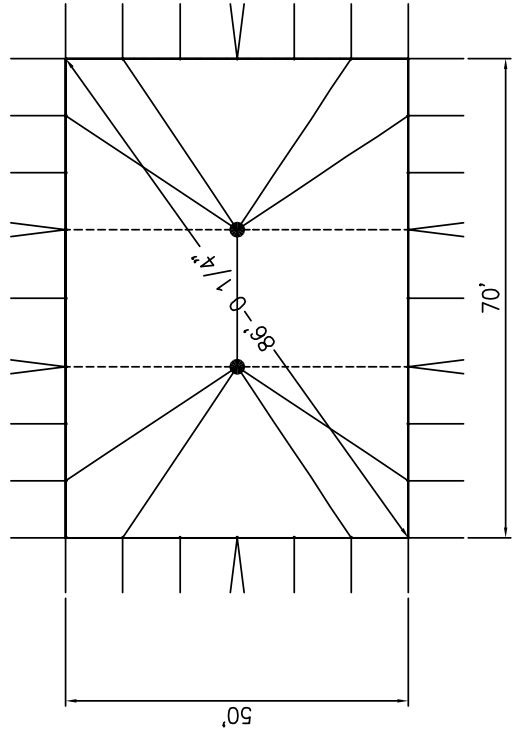
# 50x70 Series 1000

REV		DRAWING NUMBER		DATE		CHECKED		ENGINEER		PROJECT	
1				06/05/08		CM		063009 1210		POLE TENT SERIES 1000 50x70	
PART DESCRIPTION				DRAWN				AZTEC			
SERIES 1000 / POLE TENT				KT				2665 COLUMBIA ST. TORRANCE, CA. 90503 (800) 228-3687 - FAX (310) 381-0722			
SIZE				CODE				AZ-5070-SERIES 1000			
50' W x 70' L x 20' MIDDLE											

ALL DATA AND INFORMATION CONTAINED IN OR DISCLOSED BY THIS DOCUMENT IS CONFIDENTIAL AND PROPRIETARY INFORMATION OF AZTEC TENTS AND ALL RIGHTS THEREIN ARE EXPRESSLY RESERVED. BY ACCEPTING THIS MATERIAL THE RECIPIENT AGREES THAT THIS MATERIAL AND INFORMATION CONTAINED HEREIN IS HELD IN CONFIDENCE AND IN TRUST AND WILL NOT BE COPIED, REPRODUCED WHOLE OR IN PART, NOR ITS CONTENTS REVEALED IN ANY MANNER TO OTHERS, EXCEPT TO MEET THE SPECIFIC PURPOSE FOR WHICH IT WAS DELIVERED.

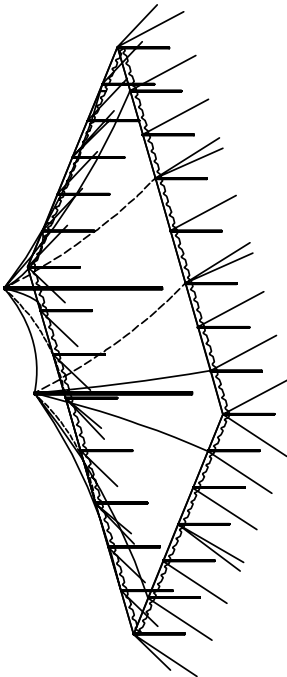


SIDE VIEW



PLAN VIEW

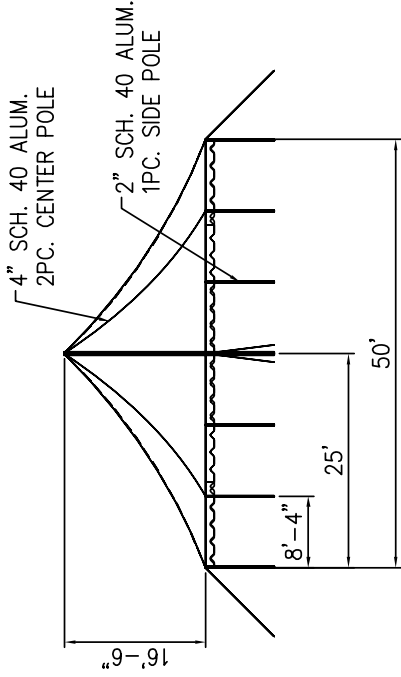
● = CENTER POLES NOT TO SCALE



ISOMETRIC VIEW

SERIES 1000 TENT  
50' x 70'

- (2) 50'x25' ENDS
- (1) 50'x20' MIDDLE
- (2) 4" SCH. 40 2PC. CENTER POLE (7'L 23'-6" / 8'L 24'-6")
- (28) 2" SCH. 40 SIDE POLE (7'L / 8'L)
- (32) 2" IN LINE RATCHETS
- (38) STAKES

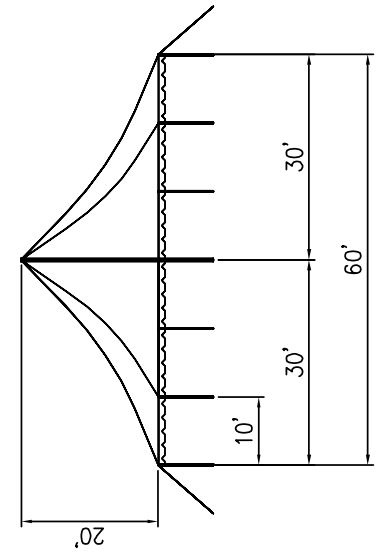


FRONT VIEW

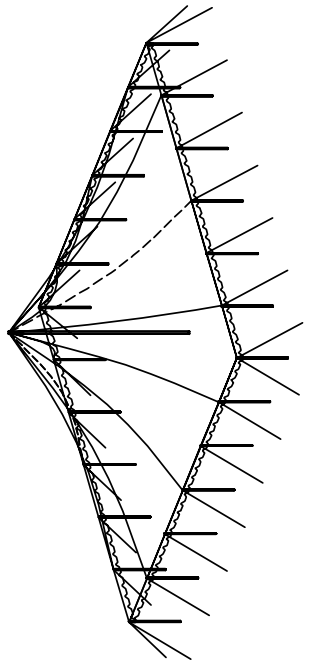
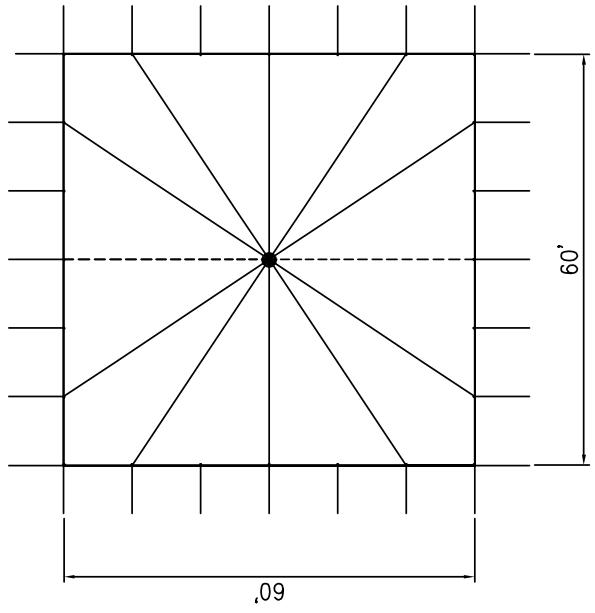
K:\cad files\Pole Tent\Series 1000\50x50x70.dwg, 6/30/2009 12:11:40 PM, pdfFactory.pc3

# 60x60 Series 1000

SERIES 1000		POLE TENT / STANDARD 60' W x 60' L x 10' LEG SPACING		AZ-6060-SERIES 1000	
REV	DRAWING NUMBER	CODE	SIZE	DATE	061208
1				KT	
ENGINEER		CHECKED		063009 1240	
CM		-			
2665 COLUMBIA ST. TORRANCE, CA. 90503 (800) 228-3687 - FAX (310) 381-0722		AZTEC			
<small>ALL DATA AND INFORMATION CONTAINED IN OR DISCLOSED BY THIS DOCUMENT IS CONFIDENTIAL AND PROPRIETARY INFORMATION OF AZTEC TENTS AND ALL RIGHTS THEREIN ARE EXPRESSLY RESERVED. BY ACCEPTING THIS MATERIAL THE RECIPIENT AGREES THAT THIS MATERIAL AND INFORMATION CONTAINED HEREIN IS HELD IN CONFIDENCE AND IN TRUST, AND WILL NOT BE COPIED, REPRODUCED WHOLE OR IN PART, EXCEPT TO MEET THE SPECIFIC PURPOSE FOR WHICH IT WAS DELIVERED.</small>					

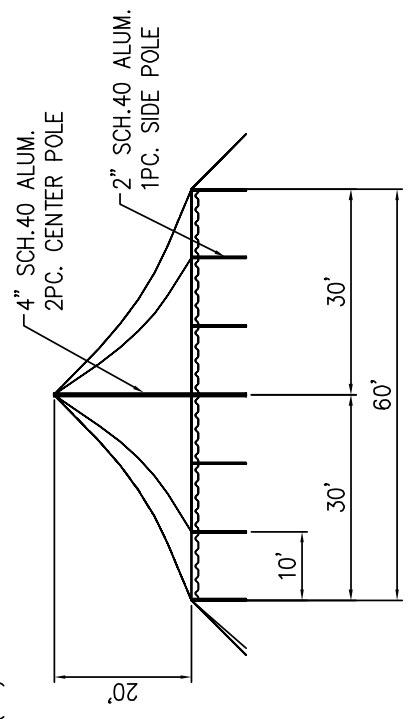


● = CENTER POLES NOT TO SCALE



SERIES 1000 TENT  
60' x 60'

- (2) 60'x30' ENDS
- (1) 4" SCH.40 2PC. CENTER POLE (7'L 27' / 8'L 28')
- (24) 2" SCH. 40 SIDE POLE (7'L / 8'L)
- (28) 2" IN LINE RATCHETS
- (31) STAKES



K:\cad files\Pole Tent\Series 1000\60x60x60.dwg, 6/30/2009 12:41:43 PM, pdfFactory.pc3

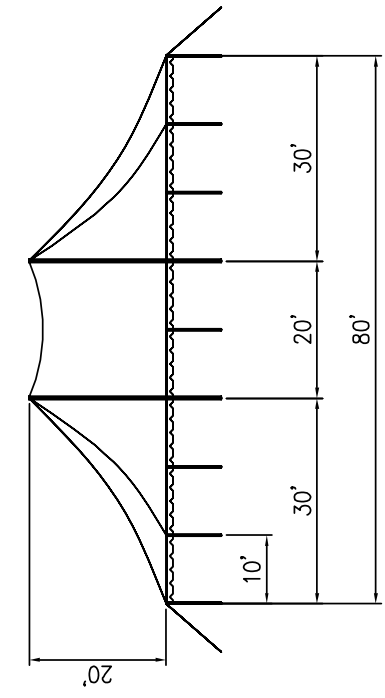
# 60x80 Series 1000

ALL DATA AND INFORMATION CONTAINED IN OR DISCLOSED BY THIS DOCUMENT IS CONFIDENTIAL AND PROPRIETARY INFORMATION OF AZTEC TENTS AND ALL RIGHTS THEREIN ARE EXPRESSLY RESERVED. BY ACCEPTING THIS MATERIAL THE RECIPIENT AGREES THAT THIS MATERIAL AND INFORMATION CONTAINED HEREIN IS HELD IN CONFIDENCE AND IN TRUST AND WILL NOT BE COPIED, REPRODUCED WHOLE OR IN PART, NOR ITS CONTENTS REVEALED IN ANY MANNER TO OTHERS. DELIVERED TO MEET THE SPECIFIC PURPOSE FOR WHICH IT WAS		ENGINEER <b>CM</b> DRAWN <b>KT</b>	CHECKED - DATE 07/16/07
POLE TENT / STANDARD 60' W x 80' L x 20' MIDDLE		PART DESCRIPTION AZ-6080-SERIES 1000	SIZE 60' x 80'
DRAWING NUMBER 2		REV	

SERIES 1000

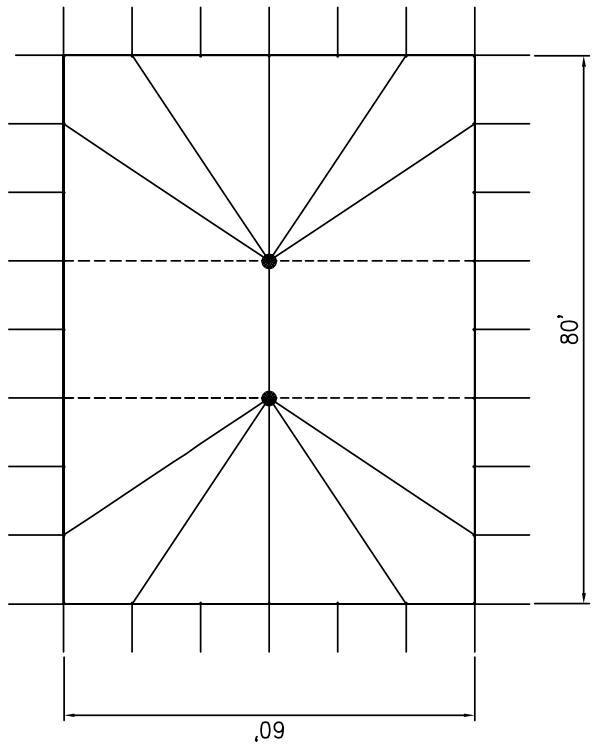


2665 COLUMBIA ST. TORRANCE, CA. 90503  
 (800) 228-3687 - FAX (310) 361-0722

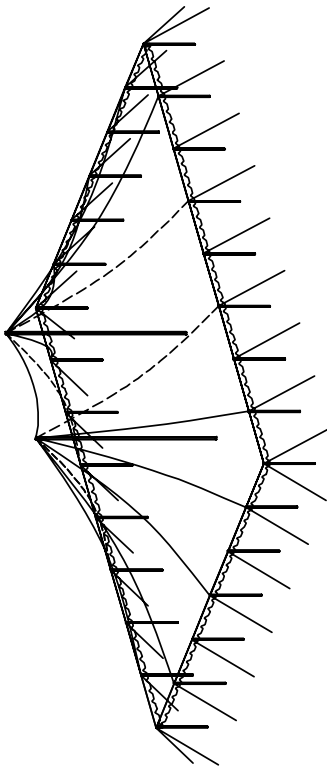


SIDE VIEW

● = CENTER POLES NOT TO SCALE



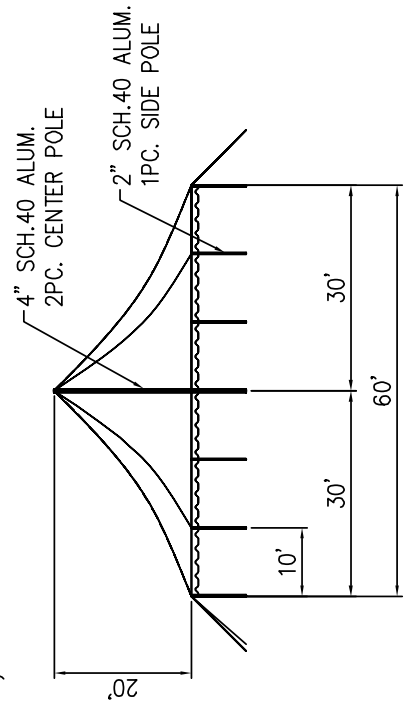
PLAN VIEW



ISOMETRIC VIEW

SERIES 1000 TENT  
 60' x 80'

- (2) 60'x30' ENDS
- (1) 60'x20' MIDDLE
- (2) 4" SCH.40 2PC. CENTER POLE (7'L 27' / 8'L 28')
- (28) 2" SCH. 40 SIDE POLE (7'L / 8'L)
- (32) 2" IN LINE RATCHETS
- (38) STAKES

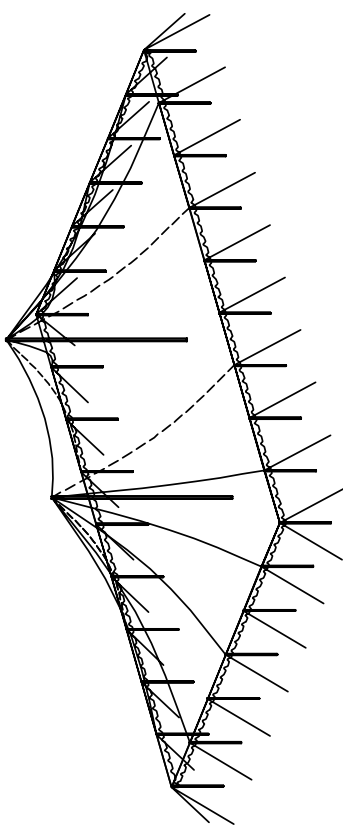


FRONT VIEW

K:\cad files\Pole Tent\Series 1000\60x80x80.dwg, 6/30/2009 1:05:10 PM, pdfFactory.pc3

# 60x90 Series 1000

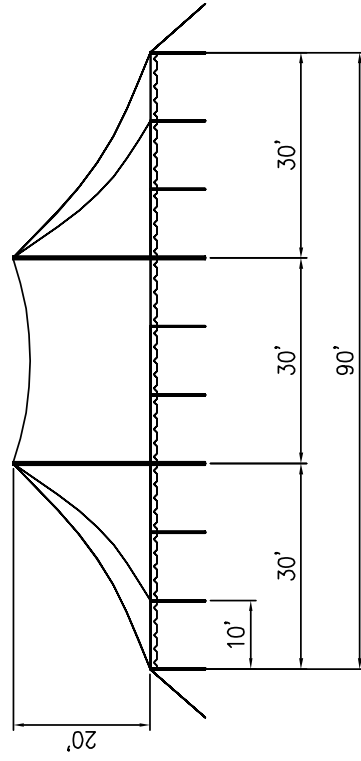
REV	DRAWING NUMBER	SIZE	CODE	PART DESCRIPTION	DATE	CHECKED	ENGINEER	PROJECT
2	AZ-09-O-SERIES 1000	-	-	POLE TENT / STANDARD 60'W x 90'L x 30' MIDDLE	07/16/07	-	CM KT	1000\60x90



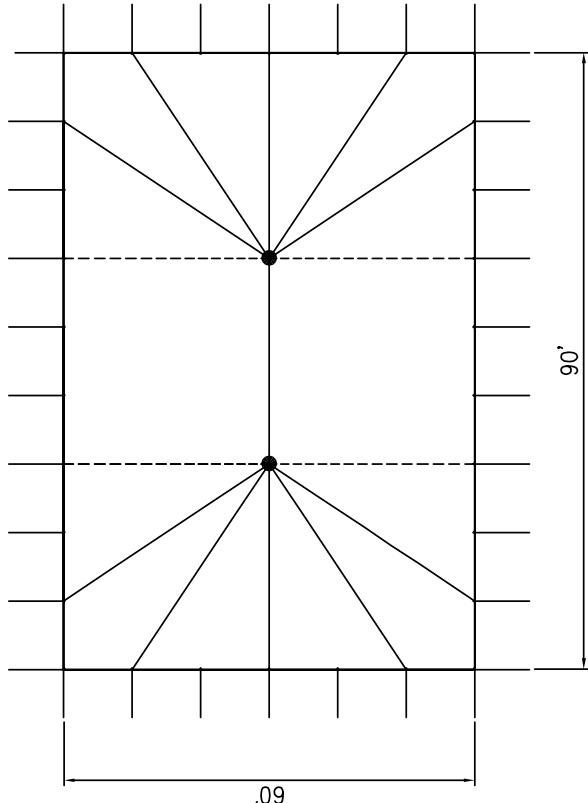
ISOMETRIC VIEW

**SERIES 1000 TENT**  
60' x 90'

- (2) 60'x30' ENDS
- (1) 60'x30' MIDDLE
- (2) 4" SCH.40 2PC. CENTER POLE (7'L 27' / 8'L 28')
- (30) 2" SCH. 40 SIDE POLE (7'L / 8'L)
- (34) 2" IN LINE RATCHETS
- (40) STAKES

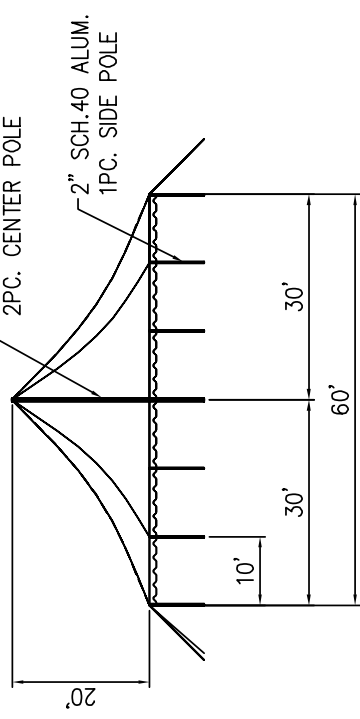


SIDE VIEW



PLAN VIEW

● = CENTER POLES NOT TO SCALE



FRONT VIEW

**4" SCH.40 ALUM.**  
2PC. CENTER POLE

**2" SCH.40 ALUM.**  
1PC. SIDE POLE

ALL DATA AND INFORMATION CONTAINED IN OR DISCLOSED BY THIS DOCUMENT IS CONFIDENTIAL AND PROPRIETARY INFORMATION OF AZTEC TENTS AND ALL RIGHTS THEREIN ARE EXPRESSLY RESERVED. BY ACCEPTING THIS MATERIAL THE RECIPIENT AGREES THAT THIS MATERIAL AND INFORMATION CONTAINED THEREIN IS HELD IN CONFIDENCE AND IN TRUST AND WILL NOT BE COPIED, REPRODUCED WHOLE OR IN PART, EXCEPT TO MEET THE SPECIFIC PURPOSE FOR WHICH IT WAS DEVELOPED.

K:\lead files\Pole Tent\Series 1000\60x90.dwg, 6/30/2009 1:06:25 PM, pdfFactory.pc3

# Parts Listing

Item	Item No.	Weight lbs
20x20 1pc Series 1000 Top UW	Z31420TT2002	75
20x30 1pc Series 1000 Top UW	Z31420TT3002	128
20x40 1pc Series 1000 Top UW	Z31420TT4002	135
30x30 1pc Series 1000 Top UW	Z31430TT3002	190
30x40 1pc Series 1000 Top UW	Z31430TT4002	245
30x45 1pc Series 1000 Top UW	Z31430TT4502	265
30x50 1pc Series 1000 Top UW	Z31430TT5002	280
30x60 1pc Series 1000 Top UW	Z31430TT60022C	300
30x60 1pc Series 1000 Top UW	Z31430TT60023C	320
40x40 1pc Series 1000 Top UW	Z31440TT4002	370
40x60 1pc Series 1000 Top UW	Z31440TT6002	605
*20x10 End Series 1000 UW	Z314Z0001002	65
*20x10 Mid Series 1000 UW	Z314Z0002002	65
*30x15 End Series 1000 UW	Z314Z0003002	95
*30x10 Mid Series 1000 UW	Z314Z0004002	140
*30x15 Mid Series 1000 UW	Z314Z0005002	213
*30x20 Mid Series 1000 UW	Z314Z0006002	282
*30x30 Mid Series 1000 UW	Z314Z0007002	419
*40x20 End Series 1000 UW	Z314Z0008002	185
*40x20 Mid Series 1000 UW	Z314Z0009002	245
*40x40 1pc Series 1000 Top UW	Z314Z0010002	370
*40x60 1pc Series 1000 Top UW	Z314Z0011002	520
*50x25 End Series 1000 UW	Z314Z0012002	275
*50x20 Mid Series 1000 UW	Z314Z0013002	240
*60x30 End Series 1000 UW	Z314Z0014002	405
*60x20 Mid Series 1000 UW	Z314Z0015002	267
*60x30 Mid Series 1000 UW	Z314Z0016002	405
1.75" Alum CP Section "G"	Z3971.750TXG	1
1.75" Alum CP Section "J"	Z3971.750TXJ	1
2.5" 1pc Alum SP x 7'0"	Z3912.5BX07	7
2.5" 1pc Alum SP x 8'0"	Z3912.5BX08	8
2.5" 2pc S1500 CP x 14'0"	Z3932.5TX14	0
2.5" 2pc S1000 CP x 16'0"	Z3932.5TX16	0
4.0" 2pc S1000 CP x 17'0"	Z3934.000TX17	0
4.0" 2pc S1000/1500 CP x 18'0"	Z3934.000TX18	0
4.0" 2pc S1500 CP x 19'0"	Z3934.000TX19	0
4.0" 3pc S1000 CP x 20'0"	Z3934.000TX20	0
4.0" 3pc S1000/1500 CP x 21'0"	Z3934.000TX21	0
4.0" 4pc S1500 CP x 24'0"	Z3934.000TX24	0
4" SCH40 2pc S1000 CP x 23'6"	Z3934SCH40X2306	0
4" SCH40 2pc S1000 CP x 24'6"	Z3934SCH40X2406	0
4" SCH40 2pc S1000 CP x 27'0"	Z3934SCH40X27	0
4" SCH40 2pc S1000 CP x 28'0"	Z3934SCH40X28	0
4.0" Alum CP x 3' EXT	Z3974.000TX03	6
4.0" Alum CP x 4' EXT	Z3974.000TX04	8
1.75 OD Pole End Cap (Black)	Z39900030	0
1.75 OD Pole Pin- Plastic	Z39900040	0
2.5" OD Pole End Cap (Blk)	Z39900080	0
2.5" OD Pole Pin- Plastic	Z39900090	1
4.0" OD Pole Pin- Steel	Z39900120	4
4.0" OD Pole Base- Steel	Z39900130	3
1" Inline Ratchet	Z39900280	3
2" Inline Ratchet	Z39900290	6
Tens. Ratchet W/Plate (Only)	Z39900320	6
2" Web Guy x 20' (Only)	Z39900330	2
1" Pipe & Flange	Z39900380	2
1" x 42" Double Headed Stake	Z51100070	10





If YOU can IMAGINE it... WE can BUILD it

[www.aztectents.com](http://www.aztectents.com)

**Aztec Tents**

2665 Columbia Street  
Torrance, CA 90503  
Toll Free (800) 228-3687  
Fax (310) 381-0722