

INSTALL INSTRUCTIONS



If YOU can IMAGINE it... WE can BUILD it

TIDEWATER SAILCLOTH TENTS

WARNING!

The safe installation and use of commercial tenting products can vary from site to site and during varying climactic conditions. Careful consideration should be paid to any installation during windy conditions and shall be monitored throughout the duration of the installation. Periodic maintenance and monitoring of the installation by the installer is required. Techniques other than those specified in this document may be required during these types of conditions.

Users and installers shall indemnify and hold harmless Aztec Tent for any claim resulting from the improper installation and/or maintenance of this unit.

Soil conditions also vary from site to site. The included anchoring package for this tent may need to be supplemented with alternate anchoring during windy conditions and in areas with questionable soil holding power. Full product engineering may be available.

NOTICE

This tent product is not intended to be used as a shelter from severe weather. Aztec assumes no liability for such use. An evacuation plan for the area covered within this tented space is imperative and shall be thoroughly posted for all users and potential occupants of the tent. Severe weather including electrical storm systems, moderate to severe wind, heavy rains, snow, or any condition that raises any doubt to the structural integrity of the tent are immediate signs that an evacuation is necessary. Severe bodily injury and/or death can occur.

The installation of electrical, plumbing, lighting, appliances and/or HVAC equipment are not covered within this manual. Users/Installers shall follow local code requirements for the installation of these items using certified personnel. Aztec Tents shall be indemnified and held harmless from any such use or injury resulting from its use.

IMPORTANT SAFETY INFORMATION

Proper personnel safety equipment should be worn at all times during the installation of any tenting products.

Hard Hat

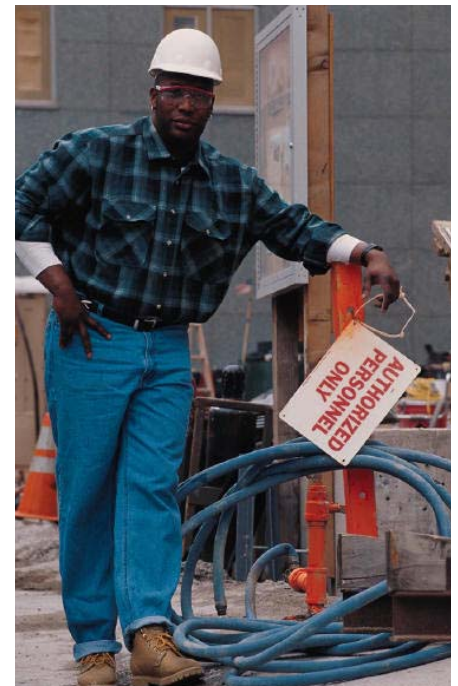
Safety Glasses

Work Gloves

Long Pants

Steel Toe Boots

OSHA Approved Harness and restraint system (for off ground activities)



Thank you for your recent purchase from Aztec Tents. The following procedures will help you through your installation. If you ever run into problems with the installation of your Aztec Tent , please call one of our sales/service professionals. A complete listing of sales, service, and operational support is always available on our website at www.aztectents.com.

Contents

Fabric Care & Warnings	4
Installation Instructions	6-7
Standard Diagrams	8-28
Squaring Diagrams	29-33
Squaring- Jig Version	34
Squaring- Tape Version	36
Parts List	38

Items Required for Installation

- 100' Tape Measure (1ea)
- 300' Tape Measure (1ea)
- Marking Paint or Marking chalk (Depending on surface)
- Drop Cloth/Ground Cloth
- Sledge Hammer
- Squaring Jig (Optional)

Questions? Call us.

Aztec Tents

2665 Columbia Street
Torrance, CA 90503 USA
Direct (310) 347-3010
Toll Free (800) 228-3687
Fax (310) 381-0722

Fabric Care & Warnings

The sailcloth fabric developed for the Tidewater system requires specific attention during installation, cleaning, and storage to maintain its maximum life span. Unlike conventional tent fabrics, the sailcloth used in the Tidewater system is significantly lighter in weight and significantly more translucent than other tent fabrics. Please follow the following care and maintenance guidelines provided for this product.

GROUND CLOTHS: The usage of ground covering material under the tent during installation and dismantle will protect the tent fabric from soiling and from minor surface abrasions. A ground cloth can also help keep the tent top dry if the ground surface (i.e. dirt, grass, etc.) is wet during the installation or dismantle.

MILDEW TREATMENT: The Tidewater sailcloth fabric is pretreated with mildew inhibitors that help prevent the growth and spreading of mildew and fungus. Although treated, proper care should be given to prevent potential growth. If you see mildew wipe it away immediately with a clean towel and diluted soap solution. Never fold your fabric for storage if the fabric is even slightly wet. Mold/Mildew spores in the air and on the ground will come in contact with the fabric while installed. To grow, all the mildew needs is moisture and some source of food (often found in dirt that might be on the tent). Your best bet is to keep your fabric clean and dry to prevent mildew growth.

FABRIC CLEANING: The best way to clean the Tidewater Sailcloth Fabric is with a soft towel immersed in a diluted solution of warm water and our tent cleaning solution. A diluted and mixed solution of a tablespoon of traditional dish soap with a gallon of warm water will also work well. The process of hand cleaning the fabric will allow you to apply only enough diluted solution to get the fabric clean. This will help limit the amount of water placed on the fabric to expedite drying time. Full immersion of the fabric in water is not recommended. The use of commercial front loading or top loading washing machines is not recommended and will void the warranty of the fabric. These machines cause an excessive amount of stress to the fabric and can force water into the fabric causing increased occurrences of mildew growth and shorten the life of the fabric. As with any cleaning, the fabric should be hung to dry completely before folding and storage. Cleaners that include chlorine, bleach, and/or any petroleum based solvents will degrade the fabric, discolor the fabric and shorten its life span.

FABRIC DRYING: The best way to dry the Tidewater Sailcloth Fabric is to hang-dry in a low humidity environment. Circulating air around the surface of the hanging fabric with the use of fans will also speed the drying process and improve drying time in more humid environments. The use of commercial drying equipment and any drying using heat will void the warranty of the fabric. **DO NOT STORE YOUR FABRIC WET.** Fabric folded and stored wet will mildew.

TENSIONING: The ratchet tensioning system provided with the Tidewater tent system is the recommended method to pull the fabric tight. This tensioning will allow you to properly pull the tent to its intended dimension while minimizing any potential for installers to inadvertently over-tension the fabric.

SQUARING: The proper tensioning of the Tidewater system is highly dependent on accurate and proper placement of the anchoring system in relation to the tent. It is critical to accurately mark each anchor location, each leg base position, and each centerpole base location in order to avoid over stressing the fabric, poles, and anchoring system.

ANCHORING: The safe installation and use of commercial tenting products can vary from site to site and during varying climactic conditions. Careful consideration should be paid to any installation during windy conditions and shall be monitored throughout the duration of the installation. Periodic maintenance and monitoring of the installation by the installer is required. Techniques other than those specified in this document may be required during these types of conditions. Soil conditions also vary from site to site. The included anchoring package for this tent may need to be supplemented with alternate anchoring during windy conditions and in areas with questionable soil holding power.

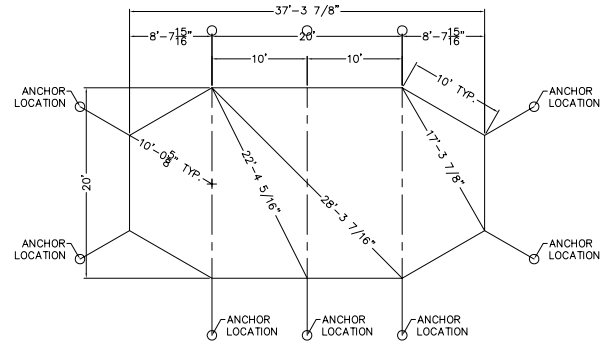
STORAGE RECOMMENDATIONS: The fabric for the Tidewater system shall be stored DRY in a cool, dry place in the protective vinyl storage bags included with your purchase. Other types of bags are acceptable as long as they can protect the fabric from the environmental elements of the storage area. Poles, anchors, and anchoring tie-downs should also be stored DRY in a cool, dry place to minimize exposure to the elements and to keep clean and in proper working condition.

THIS PAGE INTENTIONALLY LEFT BLANK

Installation-

Step 1:

Layout and mark the terminating points for the legs, center-poles, and anchoring. Anchoring points shall be placed at a distance equal to twelve (12") inches less than the leg height and in line of pull that falls directly in line with the corresponding center pole and corresponding leg.



Step 2:

Lay out a ground cloth over the area to be covered by the tent. Unfold the tent top fabric over the ground cloth with the reinforcement side facing down. Stretch out the fabric and pull the perimeter termination plates to the leg points you have marked in step 1. Install the flag poles and flags at the peak of the tent.



Step 3:

Place the stake through the ring end of the In-Line ratchet and drive the stake completely into the ground. Depending on your soil conditions you might require additional staks and ratchets to sufficiently anchor the tent. On larger models (44x and larger) which are supplied with double yoke ratchets, both rings can be attached to a single stake or separated to two different stakes.



Step 4:

Insert the sidepoles into the perimeter plate fitting/reinforcement around the perimeter of the tent top. Erect side poles and leave just short of vertical. Apply just enough tension to keep the pole in position.



Step 5:

Assemble and erect the center pole(s). From underneath the tent insert the tip (pin) of the centerpole through the ring at the peak and push the fabric toward the sky until the centerpole is vertical and the bottom of the pole is positioned on the mark made in Step 1.



Image Provided by Chase Canopy Co.

Step 6:

Straighten the sidepoles around the tent so that they are vertical and plum. Use the ratchet tensioners to pull the tent top tight. Be careful to not over tension one side of the tent as it will pull the opposite side out of vertical alignment.



Step 7:

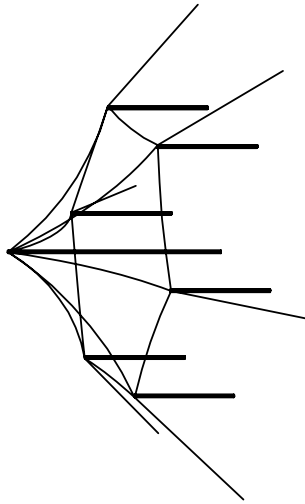
Tie off the jumper ropes. Connected to each reinforcement fitting at the leg pole position and peak positions is a 1/4" Polypropylene rope that should be tied to the poles to prevent the top from lifting off the poles during windy conditions.



Step 8:

Install any sidewall needed by clipping the top hooks of the wall to the rope-line just under the eave of the tent.

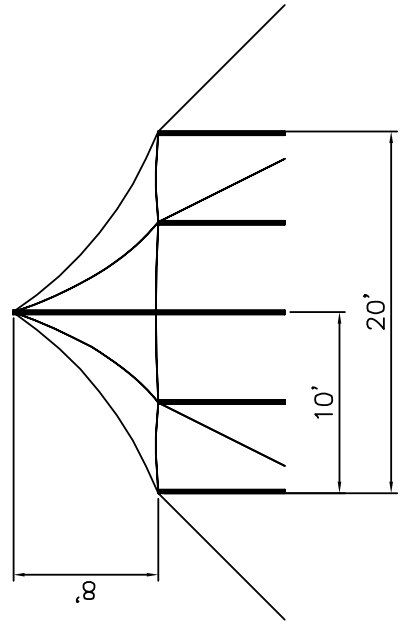




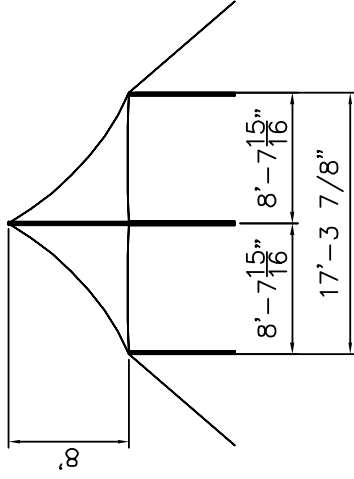
ISOMETRIC VIEW

TIDEWATER SAIL CLOTH TENT
20' x 17' 1pc.

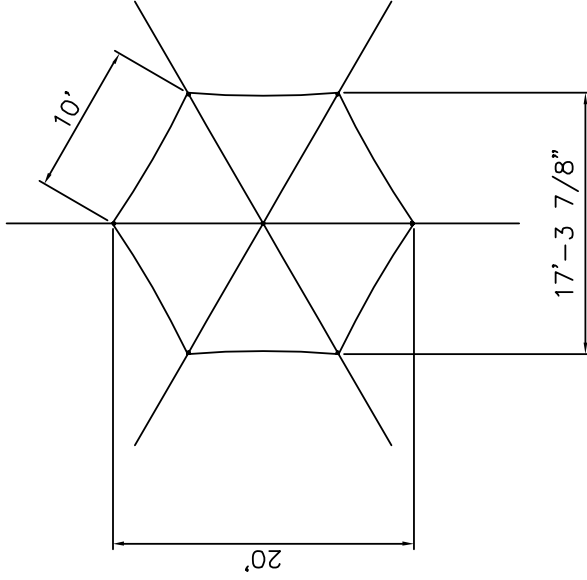
- (1) 20'x 17' 1PC. TOP (260sqft.)
- (1) 2.5" O.D. ALUM. 2PC. CENTER POLE (15')
- (6) 2.5" O.D. ALUM. 1pc/ 3x3 WOOD SIDE POLE (7'L)
- (6) 1" INLINE RATCHETS - GUY OUT
- (6) 24" STAKE WITH HOOK



END VIEW



SIDE VIEW



PLAN VIEW

STANDARD

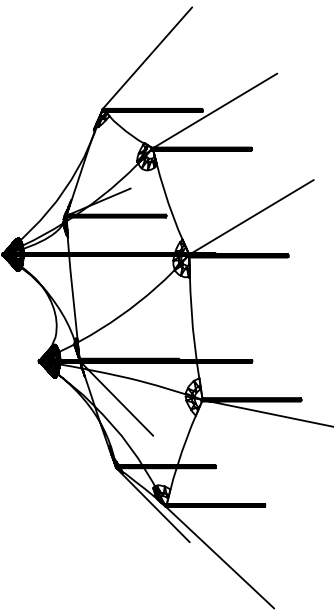
TIDEWATER SAIL CLOTH TENT / STANDARD

ENGINEER CM
 DRAWN TTR
 DATE 10-15-2008

2665 COLUMBIA ST. TORRANCE, CA. 90503
 (800) 228-3687 - FAX (310) 381-0722
AZTEC

ALL DATA AND INFORMATION CONTAINED IN OR DISCLOSED BY THIS DOCUMENT IS CONFIDENTIAL AND PROPRIETARY INFORMATION OF AZTEC TENTS AND ALL RIGHTS THEREIN ARE EXPRESSLY RESERVED. BY ACCEPTING THIS MATERIAL THE RECIPIENT AGREES THAT THIS MATERIAL AND INFORMATION CONTAINED THEREIN IS HELD IN CONFIDENCE AND IN TRUST FOR ITS CONTENTS REVEALED IN ANY MANNER TO OTHERS, AND WILL NOT BE COPIED, REPRODUCED WHOLE OR IN PART, EXCEPT TO MEET THE SPECIFIC PURPOSE FOR WHICH IT WAS DELIVERED.

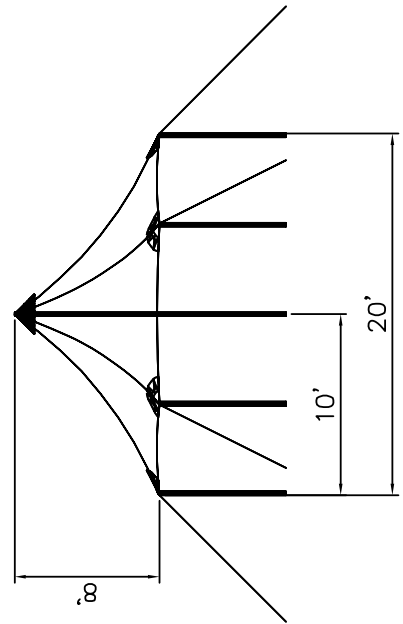
TIDEWATER SAIL TENT\20x\20x17 042409 1215
 CHECKED -
 DRAWING NUMBER AZ-20x17-TIDEWATER 3



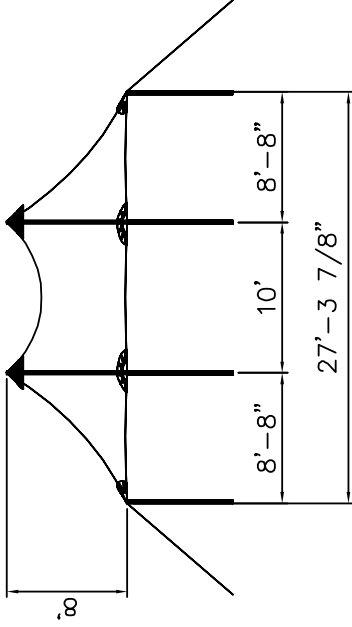
ISOMETRIC VIEW
460 SQUARE FT.

TIDEWATER SAIL CLOTH TENT
20' x 27' 1pc.

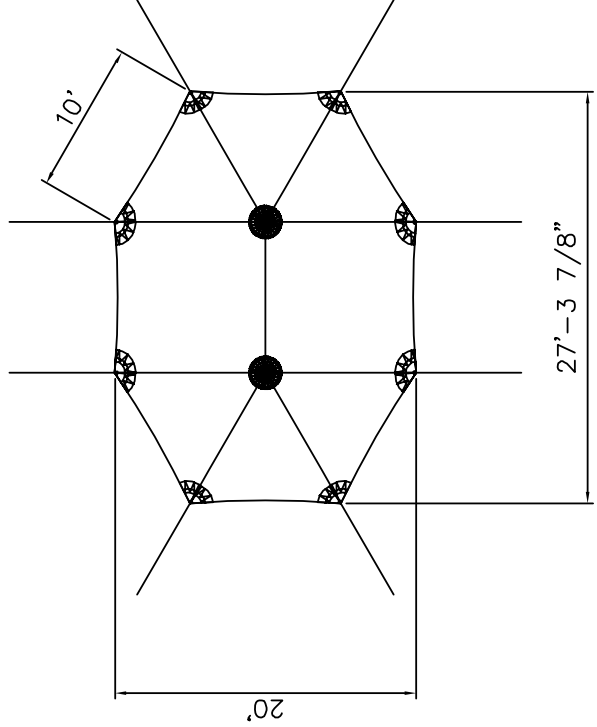
- (1) 20'x 27' 1PC. TOP
- (2) 2.5" O.D. ALUM. 2PC. CENTER POLE (15')
- (8) 2.5" O.D. ALUM. 1pc/ 3x3 WOOD SIDE POLE (7'L)
- (8) 1" INLINE RATCHETS - GUY OUT
- (8) 24" STAKE WITH HOOK



END VIEW



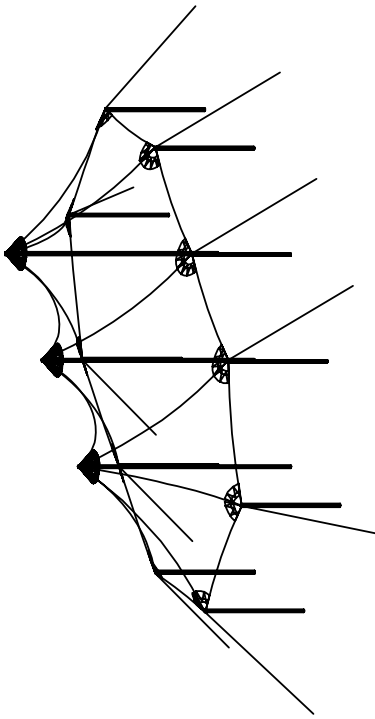
SIDE VIEW



PLAN VIEW

TIDEWATER SAIL TENT / STANDARD		AZTEC		AZ 20x27 - TIDEWATER		3	
PART DESCRIPTION		DRAWN		DATE		CHECKED	
TIDEWATER SAIL CLOTH TENT / STANDARD		TTR		10-15-2008		-	
SIZE		ENGINEER		PROJECT		DATE	
20' W x 27' L TIDEWATER SAIL CLOTH TENT		CM		042409 1215		TIDEWATER SAIL TENT\20x\20x27	
DRAWING NUMBER		AZTEC		AZ 20x27 - TIDEWATER		3	
REV		AZTEC		AZ 20x27 - TIDEWATER		3	

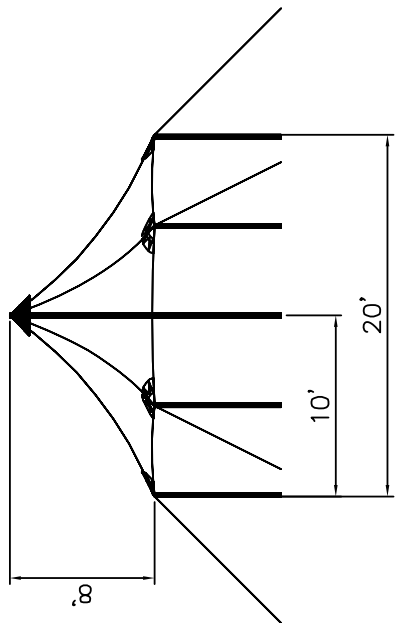
ALL DATA AND INFORMATION CONTAINED IN OR DISCLOSED BY THIS DOCUMENT IS CONFIDENTIAL AND PROPRIETARY INFORMATION OF AZTEC TENTS AND ALL RIGHTS THEREIN ARE EXPRESSLY RESERVED. BY ACCEPTING THIS MATERIAL THE RECIPIENT AGREES THAT THIS MATERIAL AND INFORMATION CONTAINED THEREIN IS HELD IN CONFIDENCE AND IN TRUST AND WILL NOT BE COPIED, REPRODUCED, WHOLE OR IN PART, NOR ITS CONTENTS REVEALED IN ANY MANNER TO OTHERS, EXCEPT TO MEET THE SPECIFIC PURPOSE FOR WHICH IT WAS DELIVERED.



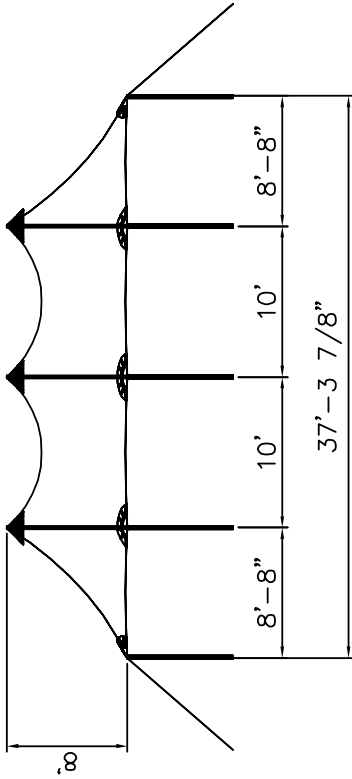
ISOMETRIC VIEW
660 SQUARE FT.

TIDEWATER SAIL CLOTH TENT
20' x 37' 1pc.

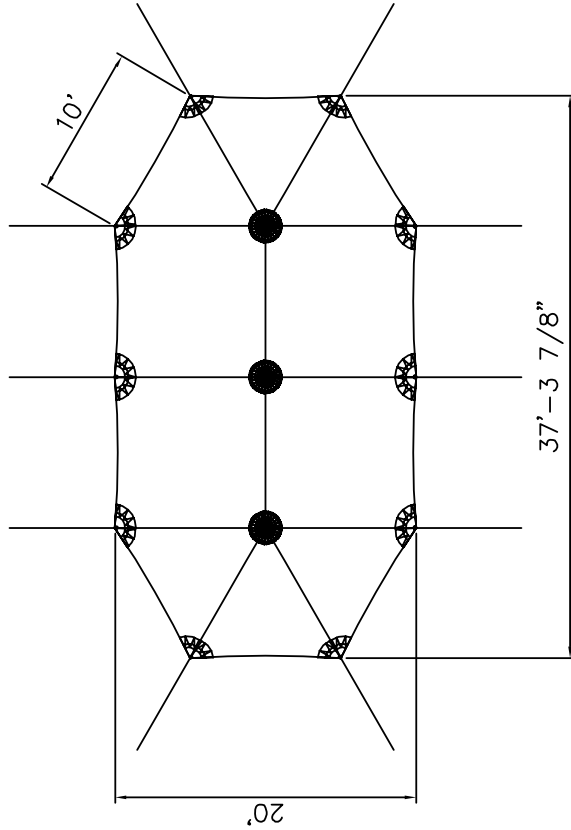
- (1) 20' x 37' 1PC. TOP
- (3) 2.5" O.D. ALUM. 2PC. CENTER POLE (15')
- (10) 2.5" O.D. ALUM. 1pc/ 3x3 WOOD SIDE POLE (7'L)
- (10) 1" INLINE RATCHETS - GUY OUT
- (10) 24" STAKE WITH HOOK



END VIEW

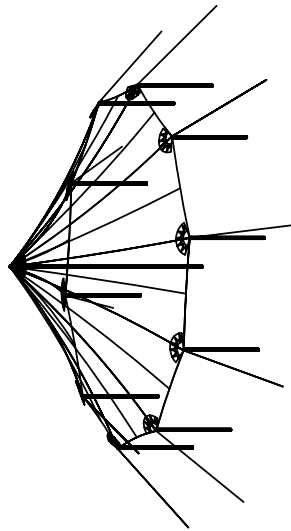


SIDE VIEW



PLAN VIEW

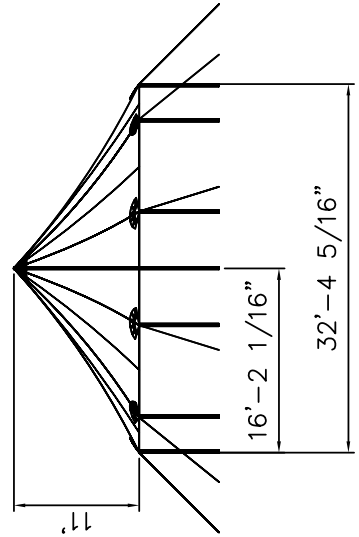
<p>ALL DATA AND INFORMATION CONTAINED IN OR DISCLOSED BY THIS DOCUMENT IS CONFIDENTIAL AND PROPRIETARY INFORMATION OF AZTEC TENTS AND ALL RIGHTS THEREIN ARE EXPRESSLY RESERVED. BY ACCEPTING THIS MATERIAL THE RECIPIENT AGREES THAT THIS MATERIAL AND INFORMATION CONTAINED HEREIN IS HELD IN CONFIDENCE AND IN TRUST, AND WILL NOT BE COPIED, REPRODUCED WHOLE OR IN PART, NOR ITS CONTENTS REVEALED IN ANY MANNER TO OTHERS, EXCEPT TO MEET THE SPECIFIC PURPOSE FOR WHICH IT WAS DELIVERED.</p>		<p>ENGINEER CM</p>	<p>CHECKED -</p>	<p>DATE 10-15-2008</p>	
<p>2665 COLUMBIA ST. TORRANCE, CA. 90503 (800) 228-3687 - FAX (310) 381-0722</p>		<p>DRAWN TTR</p>	<p>TIDEWATER SAIL TENT\20x20x37 042409 1215</p>		
<p>STANDARD</p>		<p>PART DESCRIPTION TIDEWATER SAIL CLOTH TENT / STANDARD</p>		<p>SIZE AZ 20x37 - TIDEWATER</p>	<p>REV 3</p>



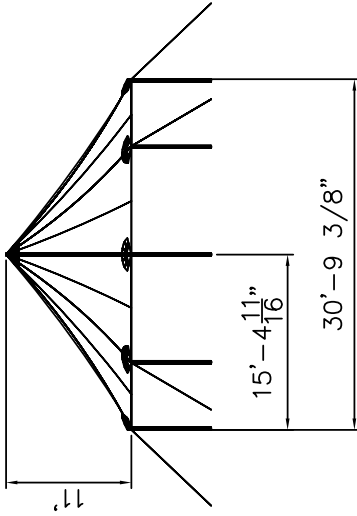
ISOMETRIC VIEW
769 SQUARE FT.

TIDEWATER SAIL CLOTH TENT
32' x 30' 1pc.

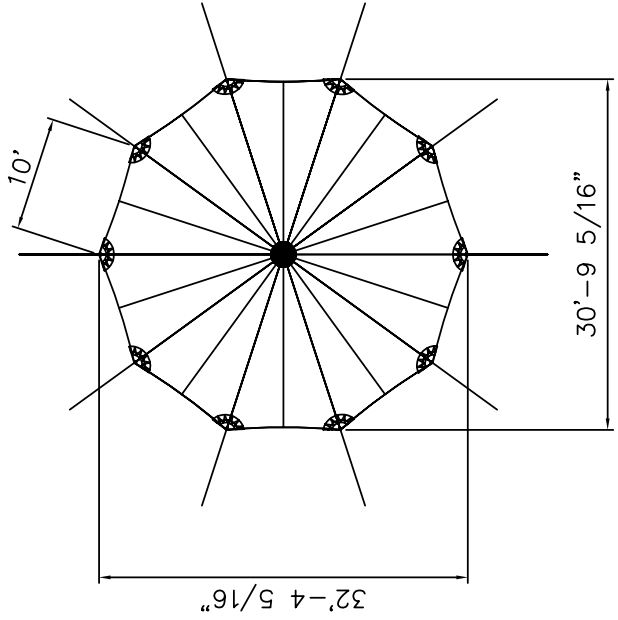
- (1) 32' x 30' 1PC. TOP
- (1) 4.0" O.D. ALUM. 2PC. CENTER POLE (18')
- (10) 2.5" O.D. ALUM. 1pc/ 3x3 WOOD SIDE POLE (7'L)
- (10) 2" INLINE RATCHETS - GUY OUT
- (10) 42" DOUBLE HEADED STAKES



END VIEW



SIDE VIEW



PLAN VIEW

STANDARD

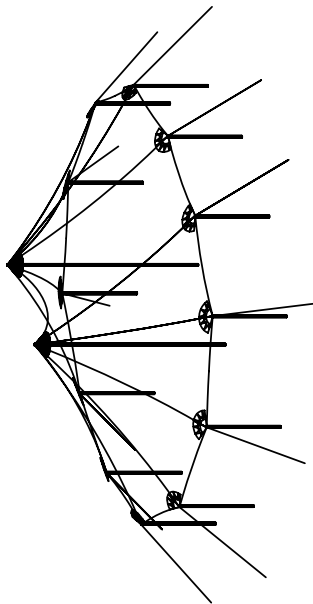
TIDEWATER SAIL CLOTH TENT / STANDARD
32' W x 30' L TIDEWATER SAIL CLOTH TENT

REV	DRAWING NUMBER	CODE	SIZE
4	AZ-32X30 - TIDEWATER		

2665 COLUMBIA ST. TORRANCE, CA. 90503
(800) 228-3687 - FAX (310) 381-0722

ENGINEER CM
DRAWN CRUZ
DATE 3/31/11

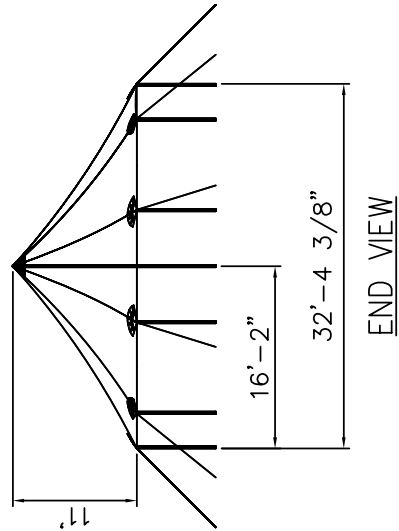
ALL DATA AND INFORMATION CONTAINED IN OR DISCLOSED BY THIS DOCUMENT IS CONFIDENTIAL AND PROPRIETARY INFORMATION OF AZTEC TENTS AND ALL RIGHTS THEREIN ARE EXPRESSLY RESERVED. BY ACCEPTING THIS MATERIAL THE REPERNT AGREES THAT THIS MATERIAL AND INFORMATION CONTAINED HEREIN IS HELD IN CONFIDENCE AND IN TRUST AND WILL NOT BE COPIED, REPRODUCED WHOLE OR IN PART, NOR ITS CONTENTS REVEALED IN ANY MANNER TO OTHERS, EXCEPT TO MEET THE SPECIFIC PURPOSE FOR WHICH IT WAS DELIVERED.



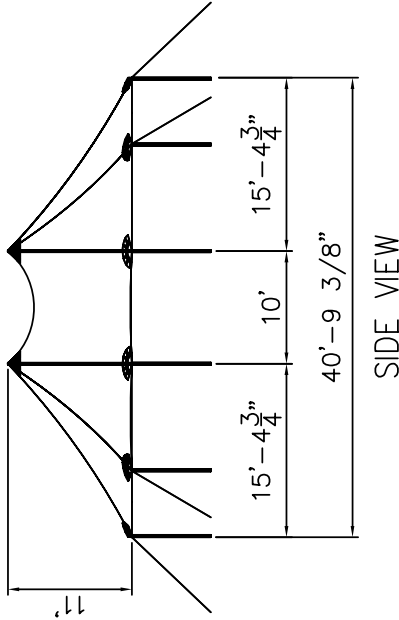
ISOMETRIC VIEW
1093 SQUARE FT.

TIDEWATER SAIL CLOTH TENT
32' x 40' 1pc.

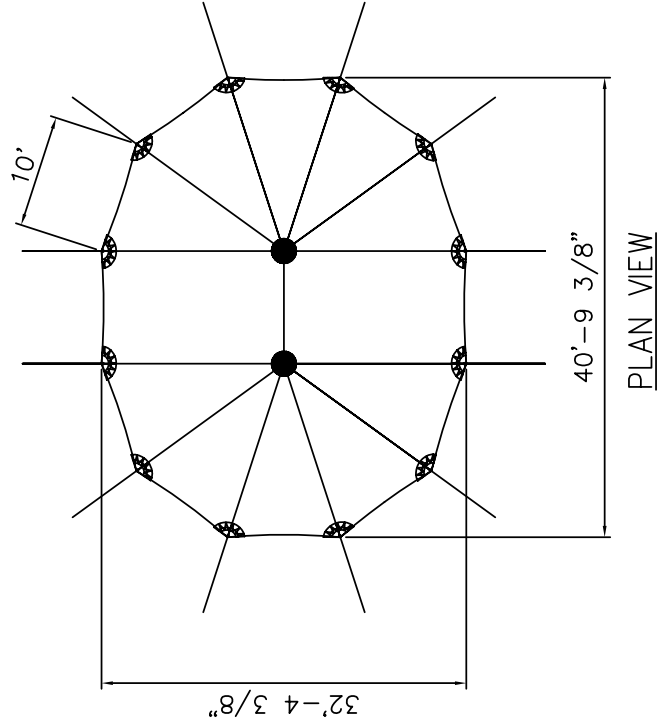
- (1) 32' x 40' 1PC. TOP
- (2) 4.0" O.D. ALUM. 3PC. CENTER POLE (18')
- (12) 2.5" O.D. ALUM. 1pc/ 3x3 WOOD SIDE POLE (7'L)
- (12) 2" INLINE RATCHETS - GUY OUT
- (12) 42" DOUBLE HEADED STAKES



END VIEW

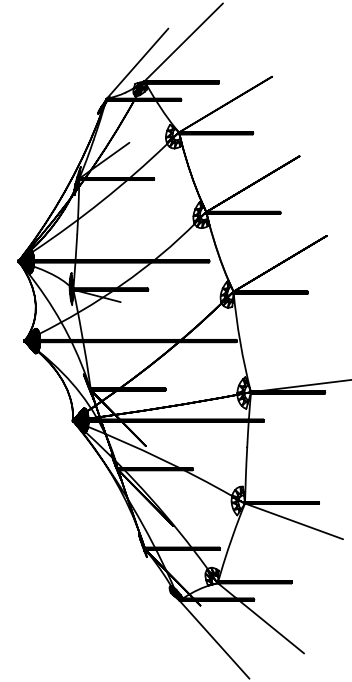


SIDE VIEW



PLAN VIEW

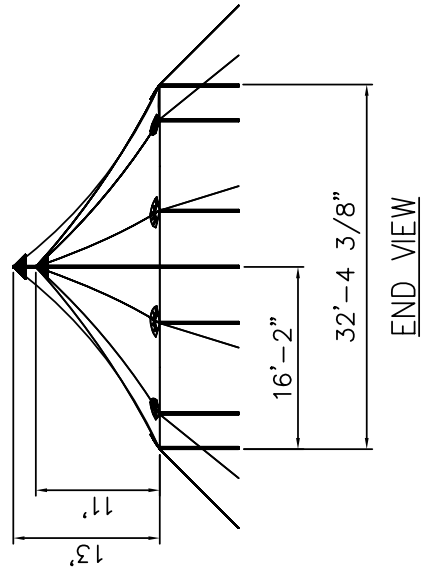
<p>ALL DATA AND INFORMATION CONTAINED IN OR DISCLOSED BY THIS DOCUMENT IS CONFIDENTIAL AND PROPRIETARY INFORMATION OF AZTEC TENTS AND ALL RIGHTS THEREIN ARE EXPRESSLY RESERVED. BY ACCEPTING THIS MATERIAL THE RECIPIENT AGREES THAT THIS MATERIAL AND INFORMATION CONTAINED THEREIN IS HELD IN CONFIDENCE AND IN TRUST AND WILL NOT BE COPIED, REPRODUCED WHOLE OR IN PART, NOR ITS CONTENTS REVEALED IN ANY MANNER TO OTHERS, EXCEPT TO MEET THE SPECIFIC PURPOSE FOR WHICH IT WAS DELIVERED.</p>		<p>ENGINEER: CM</p> <p>DRAWN: CRUZ</p> <p>DATE: 10-16-2008</p>
<p>STANDARD</p> <p>TIDEWATER SAIL CLOTH TENT / STANDARD</p> <p>32' W x 40' L TIDEWATER SAIL CLOTH TENT</p>		<p>2665 COLUMBIA ST. TORRANCE, CA. 90503 (800) 228-3687 - FAX (310) 381-0722</p> <p>AZTEC</p>
<p>REV: 1</p>	<p>DRAWING NUMBER: AZ-32x40 - TIDEWATER</p>	<p>CHECKED: -</p>



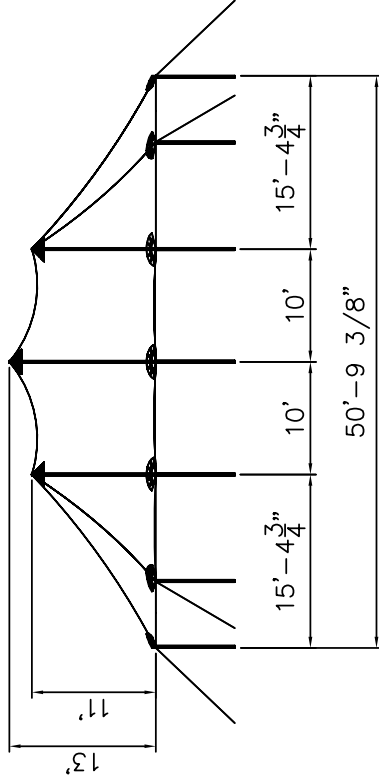
ISOMETRIC VIEW
1417 SQUARE FT.

TIDEWATER SAIL CLOTH TENT
32' x 50' 1pc.

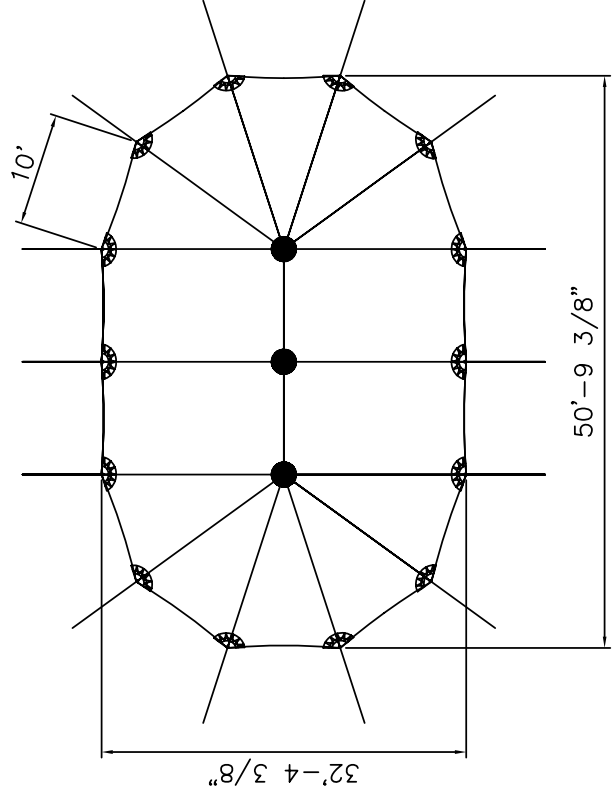
- (1) 32' x 50' 1PC. TOP
- (2) 4.0" O.D. ALUM. 3PC. CENTER POLE (18')
- (1) 4.0" O.D. ALUM. 3PC. CENTER POLE (20')
- (14) 2.5" O.D. ALUM. 1pc/ 3x3 WOOD SIDE POLE (7'L)
- (14) 2" INLINE RATCHETS - GUY OUT
- (14) 42" DOUBLE HEADED STAKES



END VIEW



SIDE VIEW



PLAN VIEW

ALL DATA AND INFORMATION CONTAINED IN OR DISCLOSED BY THIS DOCUMENT IS CONFIDENTIAL AND PROPRIETARY INFORMATION OF AZTEC TENTS AND ALL RIGHTS THEREIN ARE EXPRESSLY RESERVED. BY ACCEPTING THIS MATERIAL THE RECIPIENT AGREES THAT THIS MATERIAL AND INFORMATION CONTAINED THEREIN IS HELD IN CONFIDENCE AND IN TRUST AND WILL NOT BE COPIED, REPRODUCED WHOLE OR IN PART, NOR ITS CONTENTS REVEALED IN ANY MANNER TO OTHERS, EXCEPT TO MEET THE SPECIFIC PURPOSE FOR WHICH IT WAS DELIVERED.		ENGINEER CM	DRAWN GRUZ	DATE 3/31/11	CHECKED -
TIDEWATER SAIL CLOTH TENT / STANDARD		PART DESCRIPTION TIDEWATER SAIL CLOTH TENT / STANDARD	CODE 	SIZE 	DRAWING NUMBER AZ-32x50 - TIDEWATER
STANDARD		REV 2			



STANDARD

TIDEWATER SAIL CLOTH TENT / STANDARD
32' W x 60' L TIDEWATER SAIL CLOTH TENT

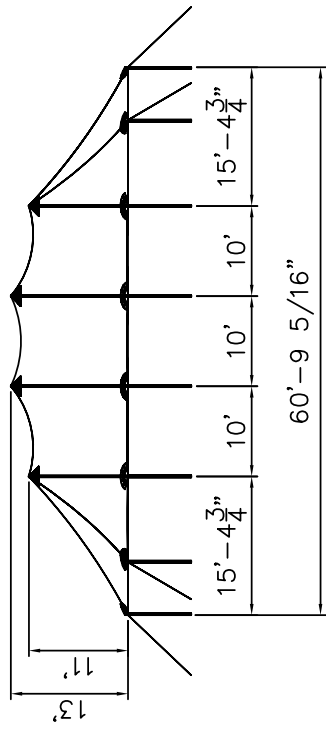
REV	DRAWING NUMBER	SIZE	CODE	PART DESCRIPTION
2	AZ 32x60 - TIDEWATER			



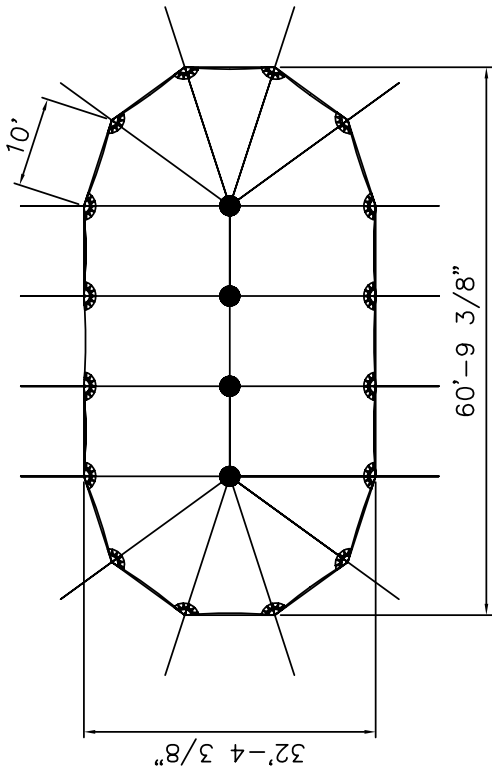
2665 COLUMBIA ST. TORRANCE, CA 90503
(800) 228-3687 - FAX (310) 381-0722

ENGINEER	DATE	CHECKED
CM	3/31/11	-

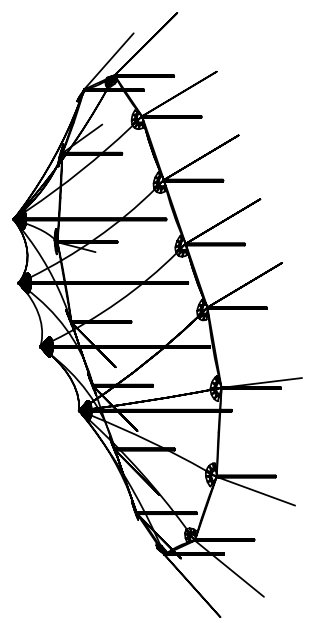
ALL DATA AND INFORMATION CONTAINED IN OR DISCLOSED BY THIS DOCUMENT IS CONFIDENTIAL AND PROPRIETARY INFORMATION OF AZTEC TENTS AND ALL RIGHTS THEREIN ARE EXPRESSLY RESERVED. BY ACCEPTING THIS MATERIAL THE RECIPIENT AGREES THAT THIS MATERIAL AND INFORMATION CONTAINED THEREIN IS HELD IN CONFIDENCE AND IN TRUST, AND WILL NOT BE COPIED, REPRODUCED WHOLE OR IN PART, NOR ITS CONTENTS REVEALED IN ANY MANNER TO OTHERS, EXCEPT TO MEET THE SPECIFIC PURPOSE FOR WHICH IT WAS DELIVERED.



SIDE VIEW



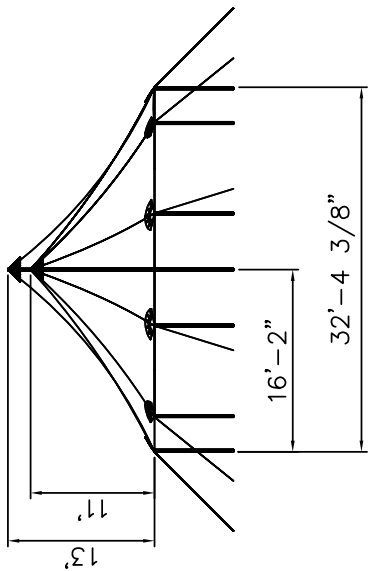
PLAN VIEW



ISOMETRIC VIEW
1740 SQUARE FT.

TIDEWATER SAIL CLOTH TENT
32' x 60' 1pc.

- (1) 32' x 60' 1PC. TOP
- (2) 4.0" O.D. ALUM. 3PC. CENTER POLE (18')
- (2) 4.0" O.D. ALUM. 3PC. CENTER POLE (20')
- (16) 2.5" O.D. ALUM. 1pc/ 3x3 WOOD SIDE POLE (7'L)
- (16) 2" INLINE RATCHETS - GUY OUT
- (16) 42" DOUBLE HEADED STAKES

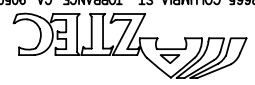


END VIEW

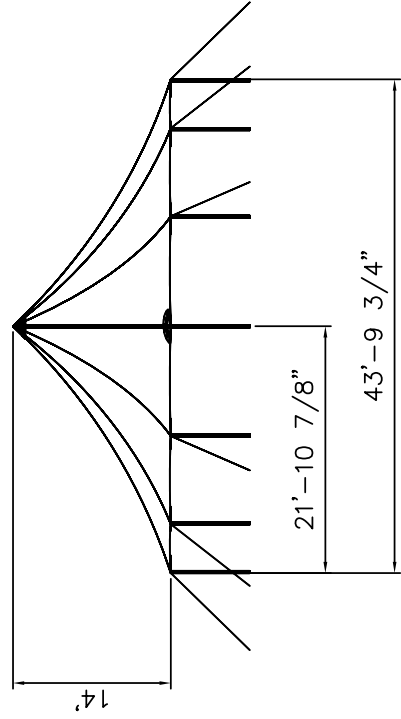
K:\cad files\Pole Tent\Tidewater Sail Tent\32x\32x60.dwg, 3/31/2011 10:52:28 AM, Adobe PDF

AZ 44x43 - TIDEWATER		DATE 4/1/11	CHECKED -
TIDEWATER SAIL CLOTH TENT / STANDARD		ENGINEER CM	2665 COLUMBIA ST TORRANCE, CA 90503 (800) 228-3687 - FAX (310) 381-0722
REV	DRAWING NUMBER	SIZE	CODE
3			

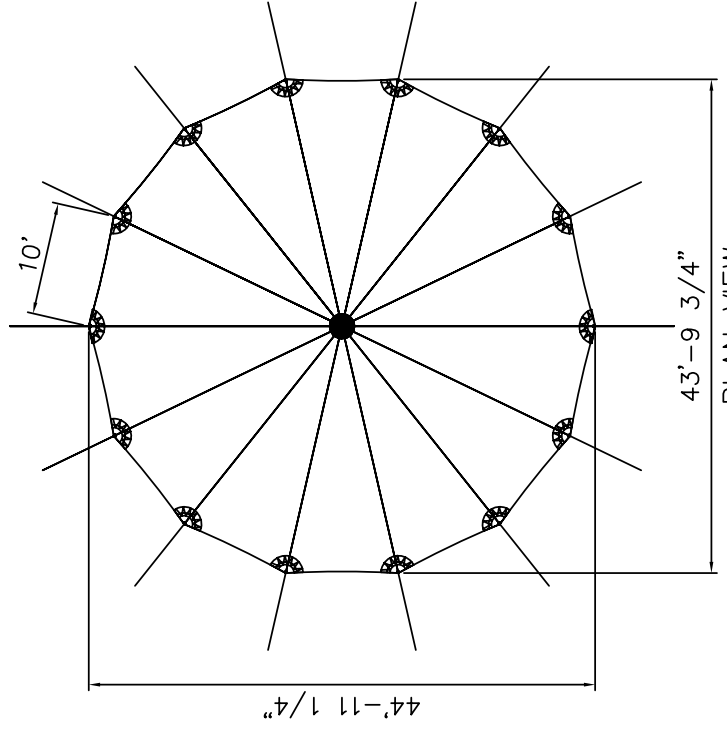
ALL DATA AND INFORMATION CONTAINED IN OR DISCLOSED BY THIS DOCUMENT IS CONFIDENTIAL AND PROPRIETARY INFORMATION OF AZTEC TENTS AND ALL RIGHTS THEREIN ARE EXPRESSLY RESERVED. BY ACCEPTING THIS MATERIAL THE RECIPIENT AGREES THAT THIS MATERIAL AND INFORMATION CONTAINED THEREIN IS HELD IN CONFIDENCE AND IN TRUST AND WILL NOT BE COPIED, REPRODUCED WHOLE OR IN PART, NOR ITS CONTENTS REVEALED IN ANY MANNER TO OTHERS, EXCEPT TO MEET THE SPECIFIC PURPOSE FOR WHICH IT WAS DELIVERED.



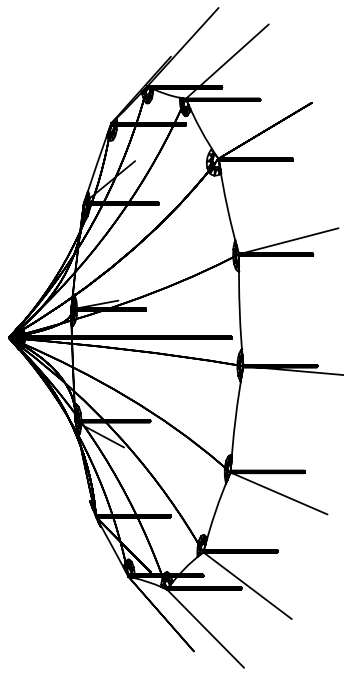
STANDARD



SIDE VIEW



PLAN VIEW

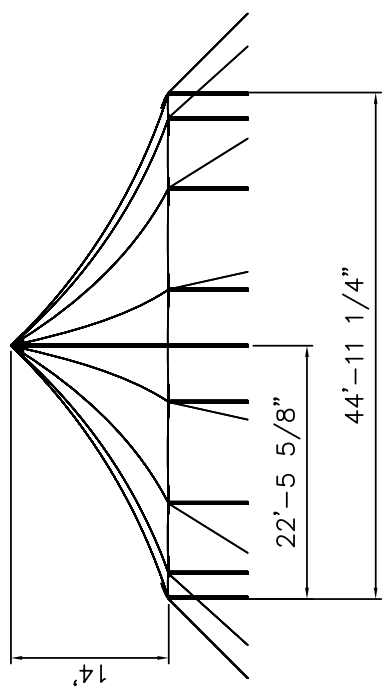


ISOMETRIC VIEW
1533 SQUARE FT.

TIDEWATER SAIL CLOTH TENT

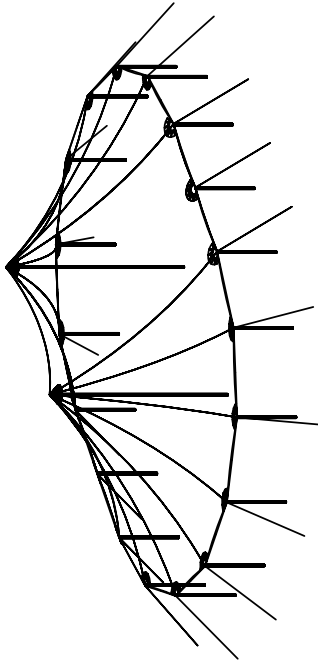
44' x 43' 1pc.

- (1) 44'x 43' 1PC. TOP
- (1) 4.0" O.D. ALUM. 3PC. CENTER POLE (21')
- (14) 2.5" O.D. ALUM. 1pc/ 3x3 WOOD SIDE POLE (7'L)
- (14) 2" INLINE RATCHETS - GUY OUT
- (14) 42" DOUBLE HEADED STAKES



END VIEW

ALL DATA AND INFORMATION CONTAINED IN OR DISCLOSED BY THIS DOCUMENT IS CONFIDENTIAL AND PROPRIETARY INFORMATION OF AZTEC TENTS AND ALL RIGHTS THEREIN ARE EXPRESSLY RESERVED. BY ACCEPTING THIS MATERIAL THE RECIPIENT AGREES THAT THIS MATERIAL AND INFORMATION CONTAINED THEREIN IS HELD IN CONFIDENCE AND IN TRUST AND WILL NOT BE COPIED, REPRODUCED WHOLE OR IN PART, NOR ITS CONTENTS REVEALED IN ANY MANNER TO OTHERS, EXCEPT TO MEET THE SPECIFIC PURPOSE FOR WHICH IT WAS DELIVERED.		ENGINEER CM DRAWN CRUZ DATE 4/1/11	CHECKED - DATE -
TIDEWATER SAIL CLOTH TENT / STANDARD STANDARD		2665 COLUMBIA ST. TORRANCE, CA. 90503 (800) 228-3687 - FAX (310) 381-0722 AZTEC	
PART DESCRIPTION TIDEWATER SAIL CLOTH TENT / STANDARD	CODE AZ 44x63	SIZE 44' W x 63' L TIDEWATER SAIL CLOTH TENT	DRAWING NUMBER 1



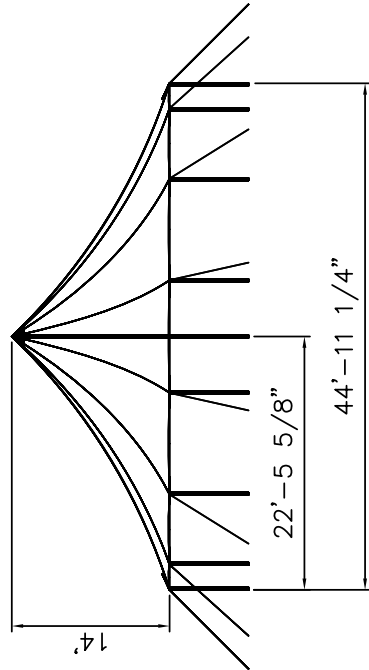
ISOMETRIC VIEW

2432 SQUARE FT.

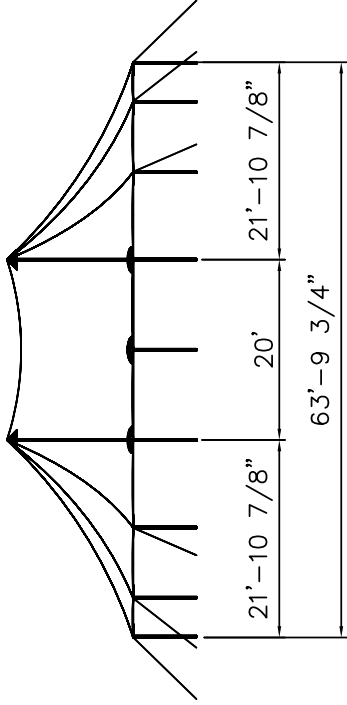
TIDEWATER SAIL CLOTH TENT

44' x 63' 1pc.

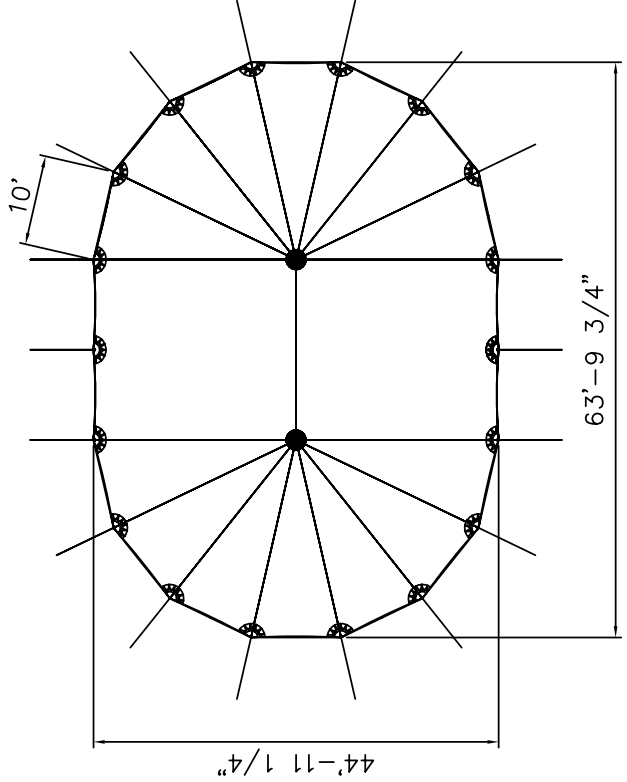
- (1) 44' x 63' 1PC. TOP
- (2) 4.0" O.D. ALUM. 3PC. CENTER POLE (21')
- (18) 2.5" O.D. ALUM. 1pc/ 3x3 WOOD SIDE POLE (7'L)
- (18) 2" INLINE RATCHETS - GUY OUT
- (18) 42" DOUBLE HEADED STAKES



END VIEW

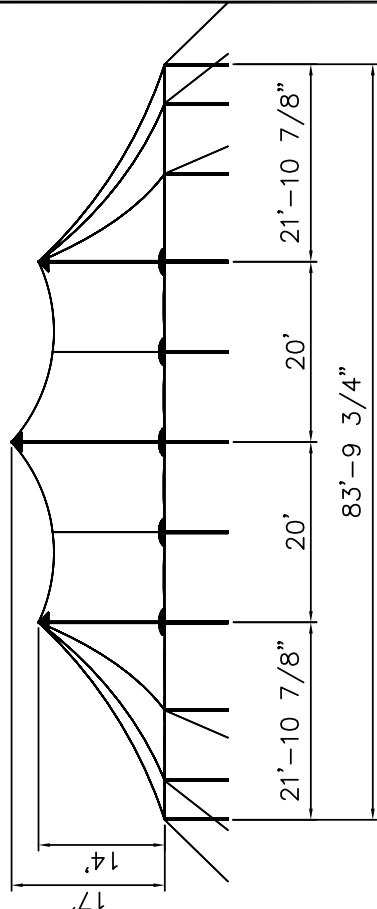


SIDE VIEW

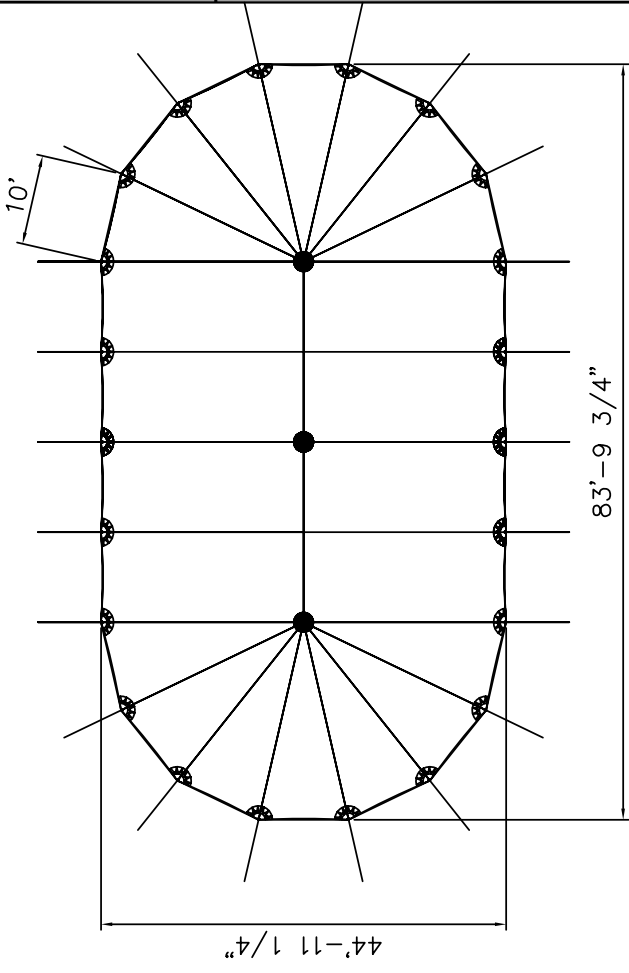


PLAN VIEW

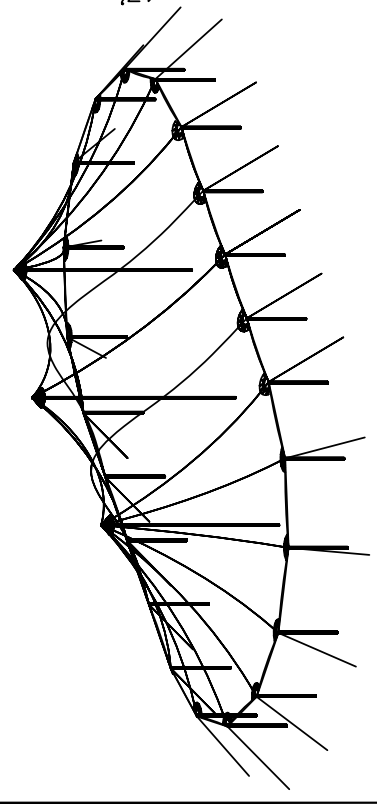
STANDARD TIDEWATER SAIL CLOTH TENT / STANDARD 44' W x 83' L TIDEWATER SAIL CLOTH TENT		PART DESCRIPTION CODE SIZE DRAWING NUMBER REV	AZTEC 2665 COLUMBIA ST. TORRANCE, CA. 90503 (800) 228-3687 - FAX (310) 381-0722	ENGINEER CM DRWN CRUZ	CHECKED - DATE 4/1/11
ALL DATA AND INFORMATION CONTAINED IN OR DISCLOSED BY THIS DOCUMENT IS CONFIDENTIAL AND PROPRIETARY. THE RECIPIENT AGREES THAT THIS MATERIAL AND INFORMATION ARE EXPRESSLY RESERVED. BY ACCEPTING THIS MATERIAL AND INFORMATION OF AZTEC TENTS AND ALL RIGHTS THEREIN WILL NOT BE COPIED, REPRODUCED WHOLE OR IN PART, AND WILL NOT BE REVEALED IN ANY MANNER TO OTHERS, EXCEPT TO MEET THE SPECIFIC PURPOSE FOR WHICH IT WAS DELIVERED.					



SIDE VIEW



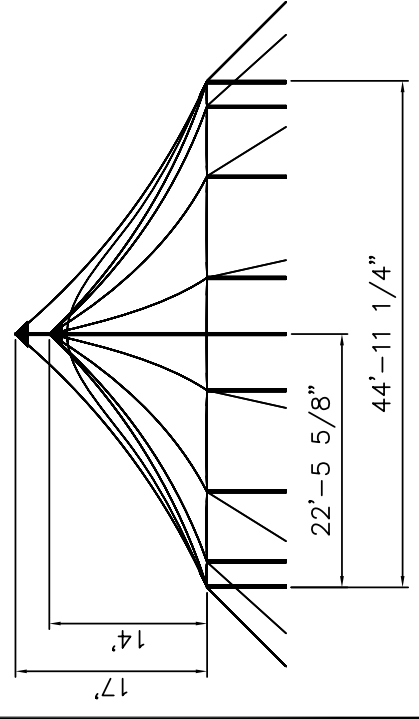
PLAN VIEW



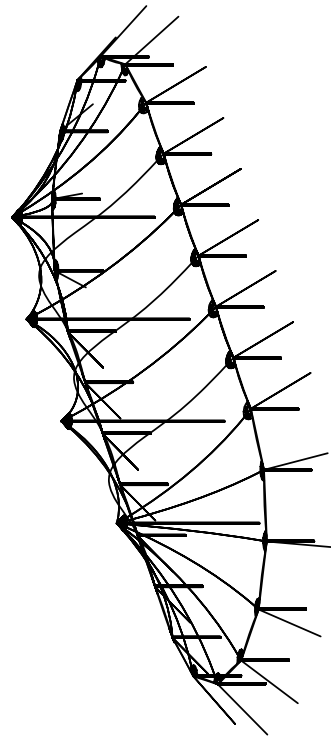
ISOMETRIC VIEW
3331 SQUARE FT.

TIDEWATER SAIL CLOTH TENT
44' x 83' 1pc.

- (1) 44'x 83' 1PC. TOP
- (2) 4.0" O.D. ALUM. 3PC. CENTER POLE (21')
- (1) 4.0" O.D. ALUM. 4PC. CENTER POLE (24')
- (22) 2.5" O.D. ALUM. 1pc/ 3x3 WOOD SIDE POLE (7'L)
- (22) 2" INLINE RATCHETS - GUY OUT
- (22) 42" DOUBLE HEADED STAKES



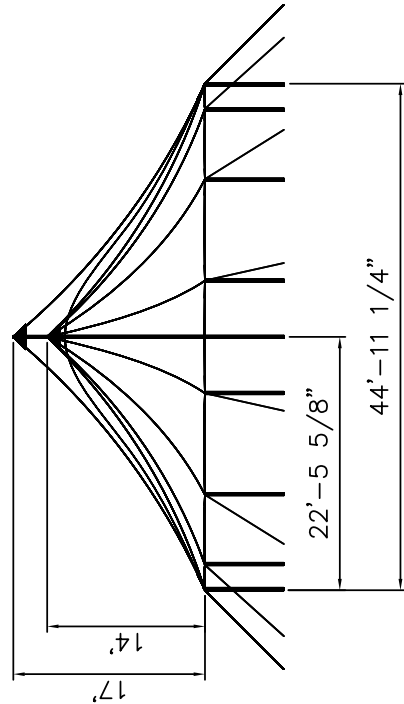
END VIEW



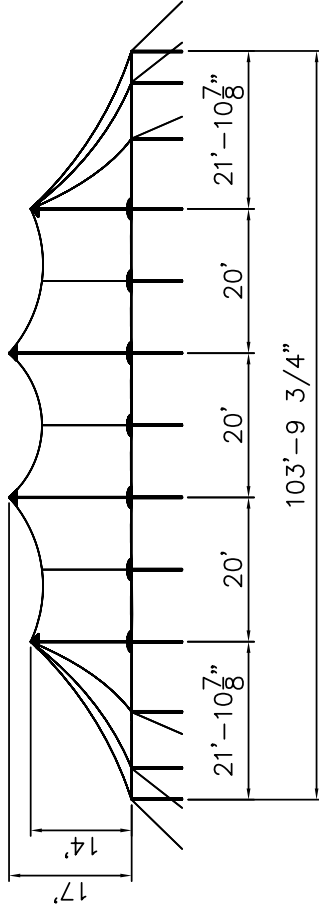
ISOMETRIC VIEW
4229 SQUARE FT.

TIDEWATER SAIL CLOTH TENT
44' x 103' 1pc.

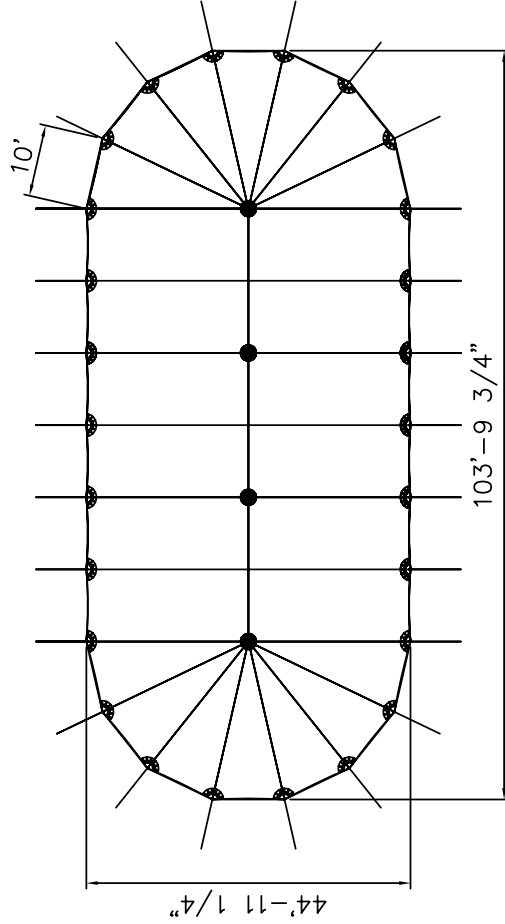
- (1) 44' x 103' 1PC. TOP
- (2) 4.0" O.D. ALUM. 3PC. CENTER POLE (21')
- (2) 4.0" O.D. ALUM. 4PC. CENTER POLE (24')
- (26) 2.5" O.D. ALUM. 1pc/ 3x3 WOOD SIDE POLE (7'L)
- (26) 2" INLINE RATCHETS - GUY OUT
- (26) 42" DOUBLE HEADED STAKES



END VIEW



SIDE VIEW



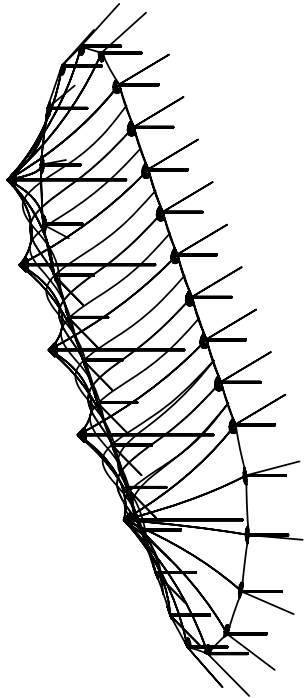
PLAN VIEW

STANDARD	
TIDEWATER SAIL CLOTH TENT / STANDARD	
REV	DRAWING NUMBER
2	AZ 44x103 - TIDEWATER

ENGINEER	CM
DRAWN	CRUZ
DATE	4/1/11
CHECKED	-

ALL DATA AND INFORMATION CONTAINED IN OR DISCLOSED BY THIS DOCUMENT IS CONFIDENTIAL AND PROPRIETARY INFORMATION OF AZTEC TENTS AND ALL RIGHTS THEREIN ARE EXPRESSLY RESERVED. BY ACCEPTING THIS MATERIAL THE RECIPIENT AGREES THAT THIS MATERIAL AND INFORMATION CONTAINED HEREIN IS HELD IN CONFIDENCE AND IN TRUST AND WILL NOT BE COPIED, REPRODUCED WHOLE OR IN PART, NOR ITS CONTENTS REVEALED IN ANY MANNER TO OTHERS EXCEPT TO MEET THE SPECIFIC PURPOSE FOR WHICH IT WAS DELIVERED.

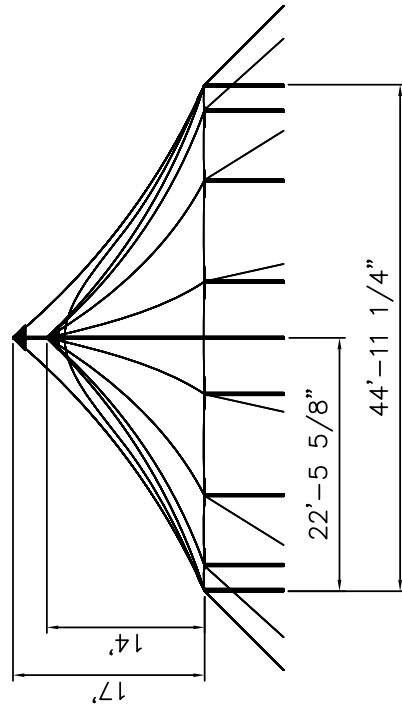
2665 COLUMBIA ST. TORRANCE, CA. 90503
(800) 228-3687 - FAX (310) 381-0722
AZTEC



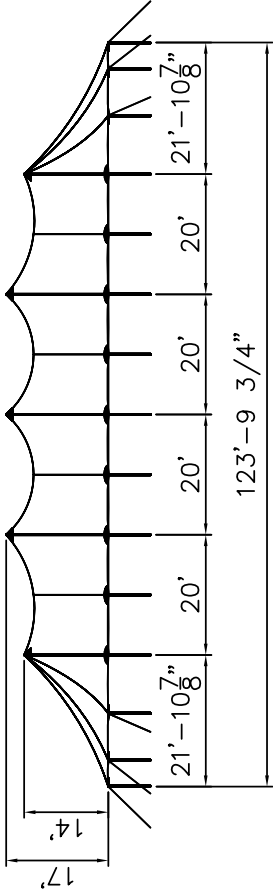
ISOMETRIC VIEW
5129 SQUARE FT.

TIDEWATER SAIL CLOTH TENT
44' x 123' 1pc.

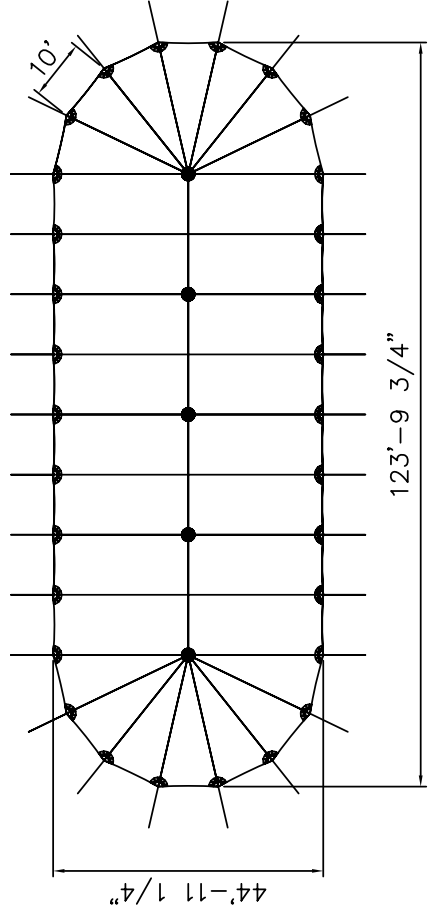
- (1) 44'x 123' 1PC. TOP
- (2) 4.0" O.D. ALUM. 3PC. CENTER POLE (21')
- (3) 4.0" O.D. ALUM. 4PC. CENTER POLE (24')
- (30) 2.5" O.D. ALUM. 1pc/ 3x3 WOOD SIDE POLE (7'L)
- (30) 2" INLINE RATCHETS - GUY OUT
- (30) 42" DOUBLE HEADED STAKES



END VIEW



SIDE VIEW



PLAN VIEW

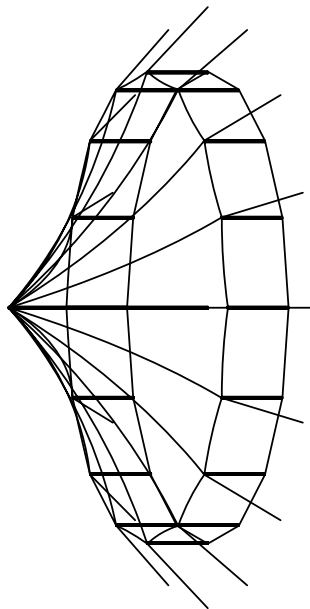
ALL DATA AND INFORMATION CONTAINED IN OR DISCLOSED BY THIS DOCUMENT IS CONFIDENTIAL AND PROPRIETARY INFORMATION OF AZTEC TENTS AND ALL RIGHTS THEREIN ARE EXPRESSLY RESERVED. BY ACCEPTING THIS MATERIAL THE RECIPIENT AGREES THAT THIS MATERIAL AND INFORMATION CONTAINED THEREIN IS HELD IN CONFIDENCE AND IN TRUST AND WILL NOT BE COPIED, REPRODUCED WHOLE OR IN PART, NOR ITS CONTENTS REVEALED IN ANY MANNER TO OTHERS, EXCEPT TO MEET THE SPECIFIC PURPOSE FOR WHICH IT WAS DELIVERED.

ENGINEER CM
2665 COLUMBIA ST. TORRANCE, CA. 90503
(800) 228-3687 - FAX (310) 381-0722



DATE 4/1/11
DRAWN CRUZ

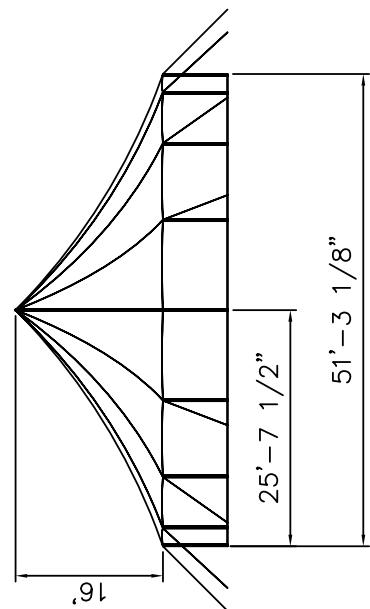
REV	DRAWING NUMBER	SIZE	CODE	PART DESCRIPTION
2	AZ 44x123 - TIDEWATER			TIDEWATER SAIL CLOTH TENT / STANDARD



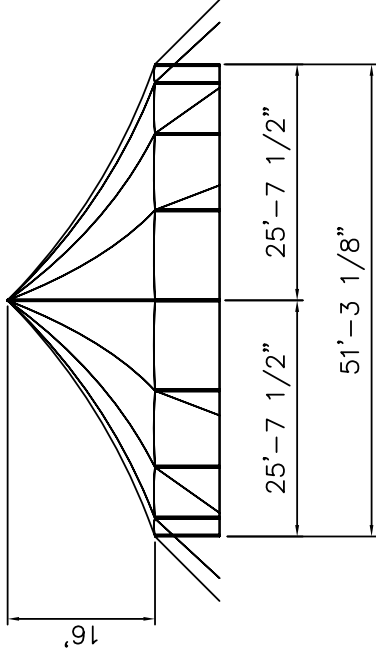
ISOMETRIC VIEW
2012 SQUARE FT.

TIDEWATER SAIL CLOTH TENT
51' x 51' 1pc.

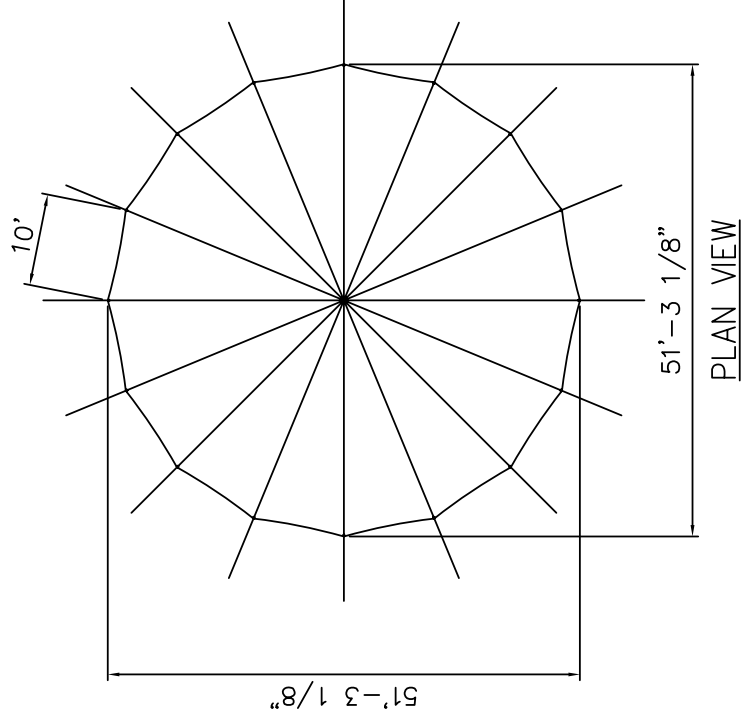
- (1) 51' x 91' 1PC. TOP
- (1) 4" SCH. 40 2PC. CENTER POLE (23')
- (1) 4" SCH. 40 2PC. CENTER POLE (26')
- (16) 2.5" O.D. ALUM. 1pc/ 3x3 WOOD SIDE POLE (7'L)
- (16) 2" INLINE RATCHETS - GUY OUT
- (16) 42" DOUBLE HEADED STAKES



END VIEW



SIDE VIEW



PLAN VIEW

ALL DATA AND INFORMATION CONTAINED IN OR DISCLOSED BY THIS DOCUMENT IS CONFIDENTIAL AND PROPRIETARY INFORMATION OF AZTEC TENTS AND ALL RIGHTS THEREIN ARE EXPRESSLY RESERVED. BY ACCEPTING THIS MATERIAL THE RECIPIENT AGREES THAT THIS MATERIAL AND INFORMATION CONTAINED THEREIN IS HELD IN CONFIDENCE AND IN TRUST. AND WILL NOT BE COPIED, REPRODUCED WHOLE OR IN PART, NOR ITS CONTENTS REVEALED IN ANY MANNER TO OTHERS, EXCEPT TO MEET THE SPECIFIC PURPOSE FOR WHICH IT WAS DELIVERED.



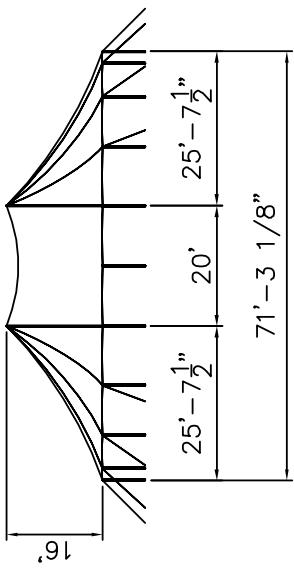
2665 COLUMBIA ST. TORRANCE, CA. 90503
(800) 228-3687 - FAX (310) 381-0722

0	AZ-51x51-TIDEWATER	04/09/10	CM	KT	040910 1415	TIDEWATER SAIL TENT\51x51x51
REV	DRAWING NUMBER	DATE	ENGINEER	DRAWN	CHECKED	PART DESCRIPTION

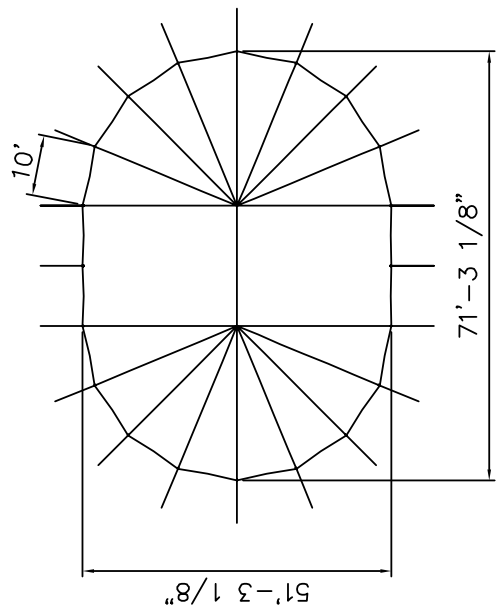
TIDEWATER SAIL CLOTH TENT / STANDARD	
51' W x 51' L TIDEWATER SAIL CLOTH TENT	
SIZE	CODE
STANDARD	

TIDEWATER SAIL TENT\51x91		010410 1455	ENGINEER	CM	DATE	01/04/10	PART DESCRIPTION		AZ-51 x 91 - TIDEWATER	REV	0
ALL DATA AND INFORMATION CONTAINED IN OR DISCLOSED BY THIS DOCUMENT IS CONFIDENTIAL AND PROPRIETARY INFORMATION OF AZTEC TENTS AND ALL RIGHTS THEREIN ARE EXPRESSLY RESERVED. BY ACCEPTING THIS MATERIAL THE RECIPIENT AGREES THAT THIS MATERIAL AND INFORMATION CONTAINED HEREIN IS HELD IN CONFIDENCE AND IN TRUST AND WILL NOT BE COPIED, REPRODUCED WHOLE OR IN PART, NOR ITS CONTENTS REVEALED IN ANY MANNER TO OTHERS. EXCEPT TO MEET THE SPECIFIC PURPOSE FOR WHICH IT WAS DELIVERED.		2665 COLUMBIA ST. TORRANCE, CA. 90503		AZTEC		TIDEWATER SAIL CLOTH TENT / STANDARD		51' W x 91' L TIDEWATER SAIL CLOTH TENT		DRAWING NUMBER	

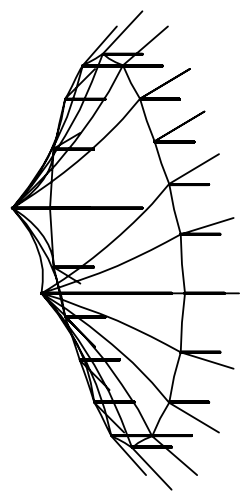
S T A N D A R D



SIDE VIEW



PLAN VIEW



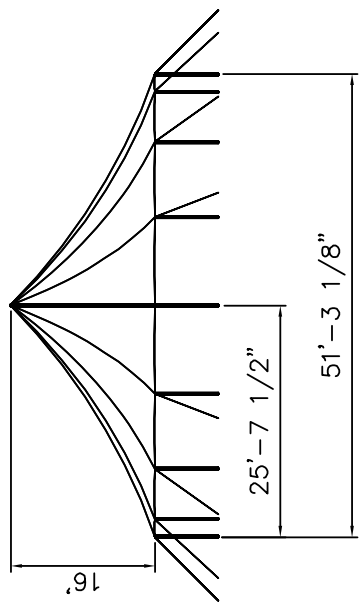
ISOMETRIC VIEW

3035 SQUARE FT.

TIDEWATER SAIL CLOTH TENT

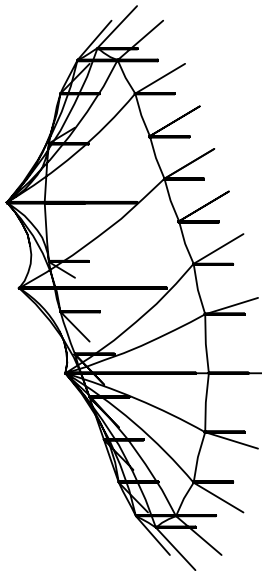
51' x 71' 1pc.

- (1) 51'x 71' 1PC. TOP
- (2) 4" SCH. 40 2PC. CENTER POLE (23')
- (20) 2.5" O.D. ALUM. 1pc/ 3x3 WOOD SIDE POLE (7'L)
- (20) 2" INLINE RATCHETS - GUY OUT
- (20) 42" DOUBLE HEADED STAKES



END VIEW

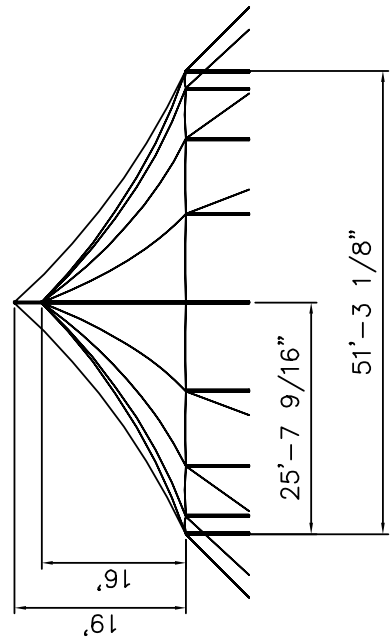
K:\Temporary\51x91.dwg, 4/5/2011 8:02:21 PM, pdfFactory



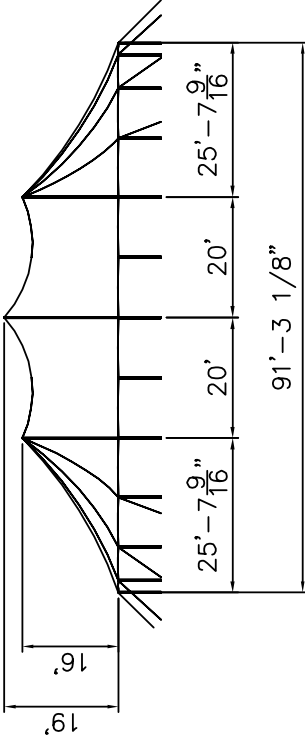
ISOMETRIC VIEW

TIDEWATER SAIL CLOTH TENT
51' x 91' 1pc.

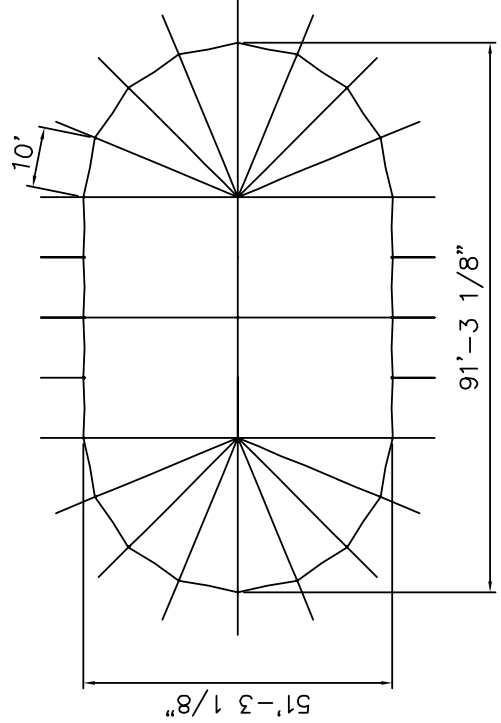
- (1) 51'x 91' 1PC. TOP (4,061sq.ft.)
- (2) 4" SCH. 40 2PC. CENTER POLE (23')
- (1) 4" SCH. 40 2PC. CENTER POLE (26')
- (24) 2.5" O.D. ALUM. 1pc/ 3x3 WOOD SIDE POLE (7'L)
- (24) 2" INLINE RATCHETS - GUY OUT
- (24) 42" DOUBLE HEADED STAKES



END VIEW



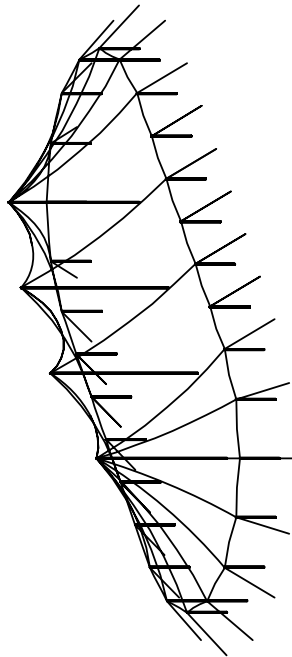
SIDE VIEW



PLAN VIEW

TIDEWATER SAIL TENT\51x\51x91	010410 1455	CHECKED	-	DATE	01/04/10
ENGINEER	CM	DRAWN	KT	PART DESCRIPTION	
2665 COLUMBIA ST. TORRANCE, CA. 90503		TIDEWATER SAIL CLOTH TENT / STANDARD			
(800) 228-3687 - FAX (310) 381-0722		DRAWING NUMBER			
AZTEC		REV			
ALL DATA AND INFORMATION CONTAINED IN OR DISCLOSED BY THIS DOCUMENT IS CONFIDENTIAL AND PROPRIETARY INFORMATION OF AZTEC TENTS AND ALL RIGHTS THEREIN ARE EXPRESSLY RESERVED. BY ACCEPTING THIS MATERIAL THE RECIPIENT AGREES THAT THIS MATERIAL AND INFORMATION CONTAINED THEREIN IS HELD IN CONFIDENCE AND IN TRUST AND WILL NOT BE COPIED, REPRODUCED WHOLE OR IN PART, NOR ITS CONTENTS REVEALED IN ANY MANNER TO OTHERS, EXCEPT TO MEET THE SPECIFIC PURPOSE FOR WHICH IT WAS DELIVERED.		0			

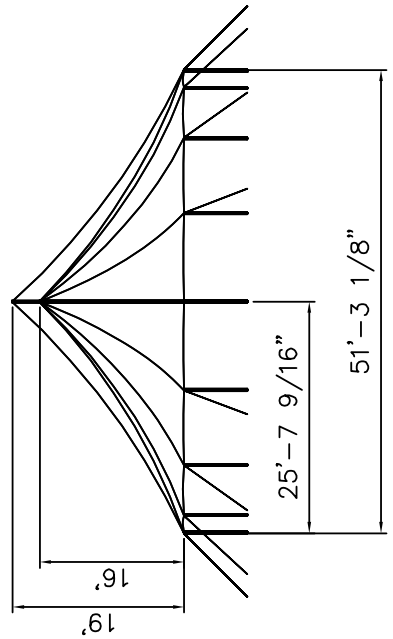
STANDARD		REV		0	
TIDEWATER SAIL CLOTH TENT / STANDARD		DRAWING NUMBER		0	
2665 COLUMBIA ST. TORRANCE, CA. 90503		PART DESCRIPTION		0	
(800) 228-3687 - FAX (310) 381-0722		DRAWN		0	
AZTEC		DATE		0	



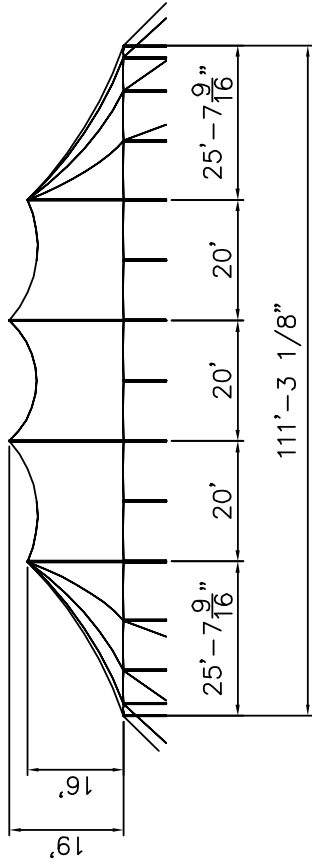
ISOMETRIC VIEW

TIDEWATER SAIL CLOTH TENT
51' x 111' 1pc.

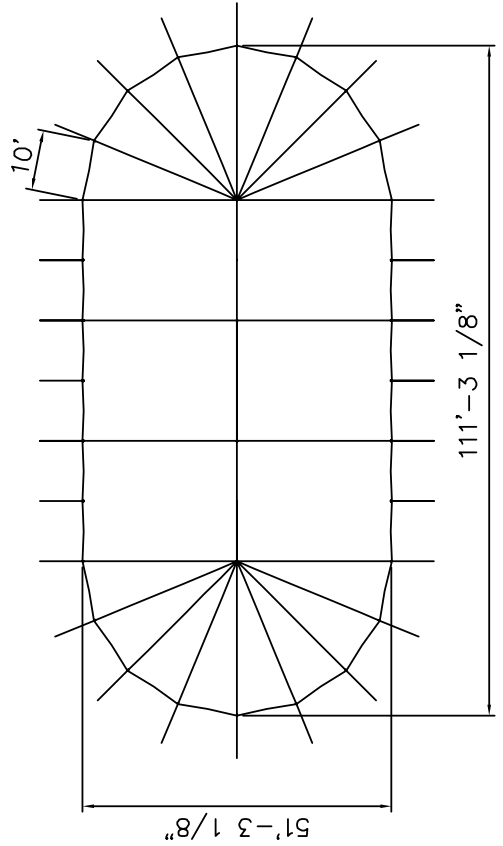
- (1) 51'x 111' 1PC. TOP (5,086sq.ft.)
- (2) 4" SCH. 40 2PC. CENTER POLE (23')
- (2) 4" SCH. 40 2PC. CENTER POLE (26')
- (28) 2.5" O.D. ALUM. 1pc/ 3x3 WOOD SIDE POLE (7'L)
- (28) 2" INLINE RATCHETS - GUY OUT
- (28) 42" DOUBLE HEADED STAKES



END VIEW



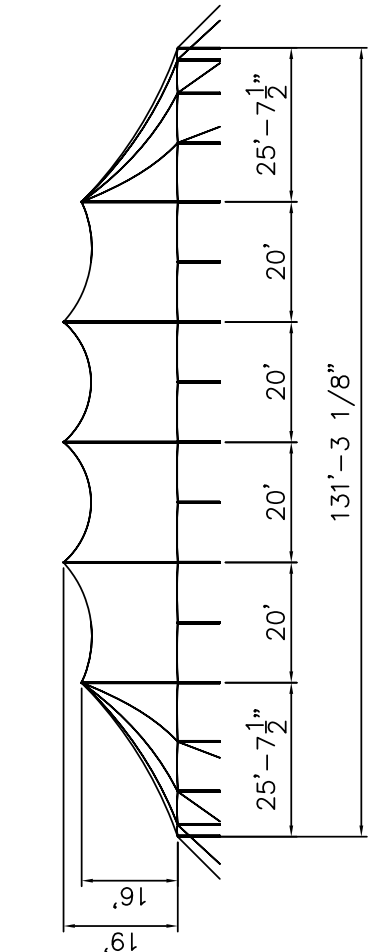
SIDE VIEW



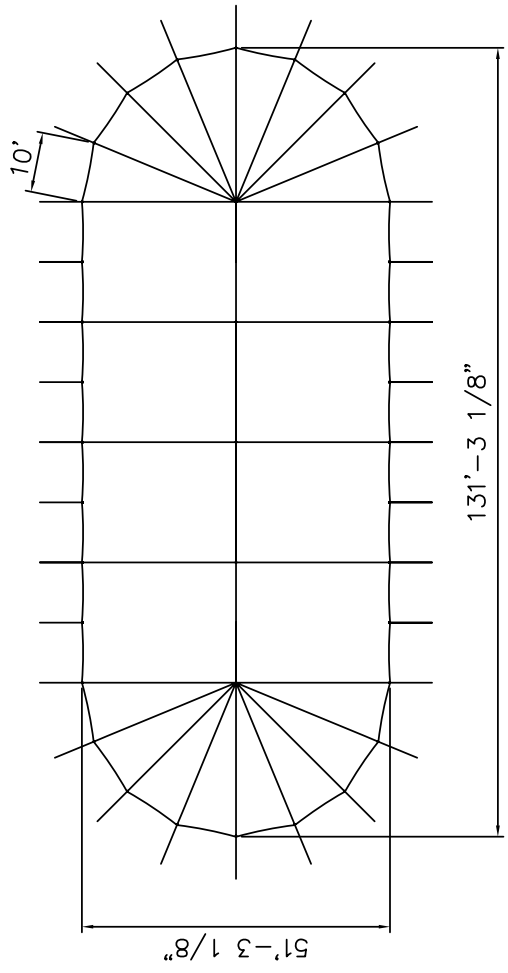
PLAN VIEW

ALL DATA AND INFORMATION CONTAINED IN OR DISCLOSED BY THIS DOCUMENT IS CONFIDENTIAL AND PROPRIETARY INFORMATION OF AZTEC TENTS AND ALL RIGHTS THEREIN ARE EXPRESSLY RESERVED. BY ACCEPTING THIS MATERIAL THE RECIPIENT AGREES THAT THIS MATERIAL AND INFORMATION CONTAINED HEREIN IS HELD IN CONFIDENCE AND IN TRUST AND WILL NOT BE COPIED, REPRODUCED WHOLE OR IN PART, NOR ITS CONTENTS REVEALED IN ANY MANNER TO OTHERS, EXCEPT TO MEET THE SPECIFIC PURPOSE FOR WHICH IT WAS DELIVERED.		ENGINEER CM DRAWN KT DATE 11/09/09	PART DESCRIPTION TIDEWATER SAIL CLOTH TENT / STANDARD	SIZE 51' W x 111' L TIDEWATER SAIL CLOTH TENT	DRAWING NUMBER AZ-51 x 1 1 - TIDEWATER 1
AZTEC 2665 COLUMBIA ST. TORRANCE, CA. 90503 (800) 228-3687 - FAX (310) 381-0722		CHECKED - 110909 1325	TIDEWATER SAIL TENT\51x\51x111 110909 1325		

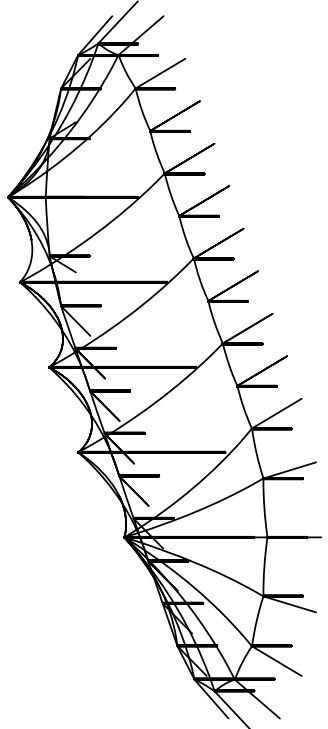
TIDEWATER SAIL TENT / STANDARD		AZ 51x131		TIDEWATER		0
DRAWING NUMBER		SIZE		REV		
PART DESCRIPTION		CODE		DATE		
TIDEWATER SAIL CLOTH TENT / STANDARD		KT		01/05/10		
DRAWN		ENGINEER		CHECKED		
KT		CM		-		
2665 COLUMBIA ST. TORRANCE, CA. 90503		(800) 228-3687 - FAX (310) 381-0722		AZTEC		
ALL DATA AND INFORMATION CONTAINED IN OR DISCLOSED BY THIS DOCUMENT IS CONFIDENTIAL AND PROPRIETARY INFORMATION OF AZTEC TENTS AND ALL RIGHTS THEREIN ARE EXPRESSLY RESERVED BY ACCEPTING THIS MATERIAL. THE RECIPIENT AGREES THAT THIS MATERIAL AND INFORMATION CONTAINED THEREIN IS HELD IN CONFIDENCE AND IN TRUST AND WILL NOT BE COPIED, REPRODUCED WHOLE OR IN PART, NOR ITS CONTENTS REVEALED IN ANY MANNER TO OTHERS, EXCEPT TO MEET THE SPECIFIC PURPOSE FOR WHICH IT WAS DELIVERED.						



SIDE VIEW



PLAN VIEW



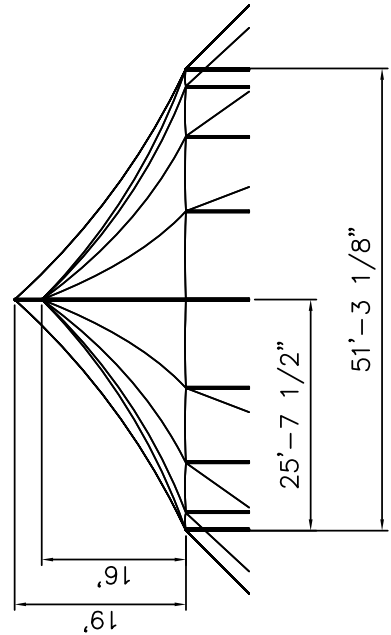
ISOMETRIC VIEW

6112 SQUARE FT.

TIDEWATER SAIL CLOTH TENT

51' x 131' 1pc.

- (1) 51'x 131' 1PC. TOP
- (2) 4" SCH. 40 2PC. CENTER POLE (23')
- (3) 4" SCH. 40 2PC. CENTER POLE (26')
- (32) 2.5" O.D. ALUM. 1pc/ 3x3 WOOD SIDE POLE (7'L)
- (32) 2" INLINE RATCHETS - GUY OUT
- (32) 42" DOUBLE HEADED STAKES



END VIEW

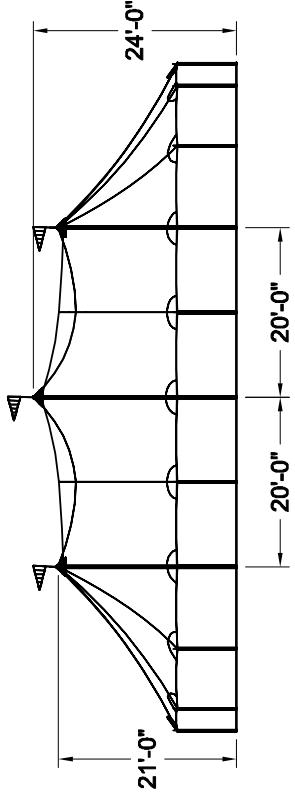
K:\cad files\Pole Tent\Tidewater Sail Tent\51x131.dwg, 4/1/2011 2:25:19 PM, Adobe PDF

TIDEWATER SAIL TENT 58x78		500	12210	500	3/15/11	DATE	3/15/11
TIDEWATER SAIL TENT 58x78 - TIDEWATER		AZ-58x78		DRAWN BY			
TIDEWATER SAIL TENT / STANDARD		58' W X 78' L TIDEWATER SAIL CLOTH TENT		DRAWN BY			
STANDARD		TIDEWATER SAIL CLOTH TENT / STANDARD		DRAWN BY			
REV		DRAWING NUMBER		DRAWN BY			
0		AZ-58x78 - TIDEWATER		DRAWN BY			

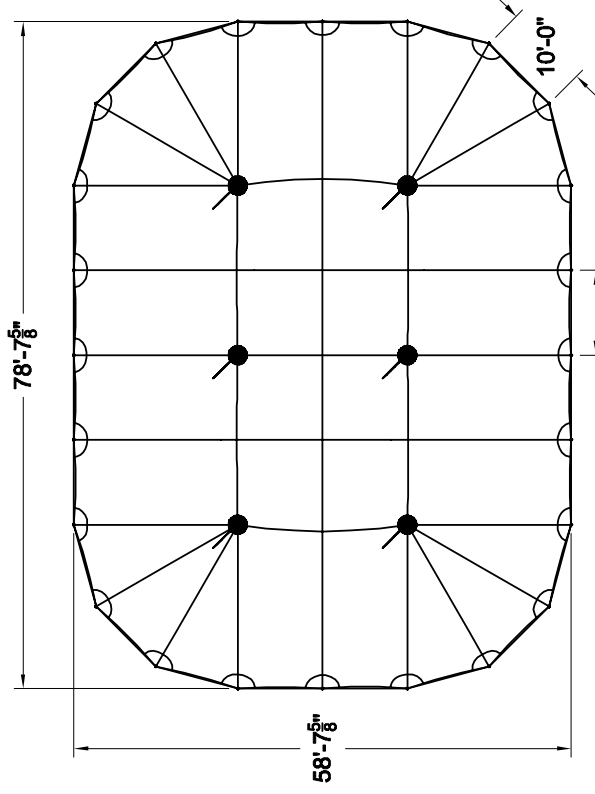
ALL DATA AND INFORMATION CONTAINED IN OR DISCLOSED BY THIS DOCUMENT IS CONFIDENTIAL AND PROPRIETARY INFORMATION OF AZTEC TENTS AND ALL RIGHTS THEREIN ARE EXPRESSLY RESERVED. BY ACCEPTING THIS MATERIAL THE RECIPIENT AGREES THAT THIS MATERIAL AND INFORMATION CONTAINED HEREIN IS HELD IN CONFIDENCE AND IN TRUST AND WILL NOT BE COPIED, REPRODUCED WHOLE OR IN PART, EXCEPT TO MEET THE SPECIFIC PURPOSE FOR WHICH IT WAS DELIVERED.

CHECKED BY GUILLELMO
 ENGINEER N/A
 DRAWN BY ELVIS/CRUZ
 2865 COLUMBIA ST. TORRANCE, CA 90503
 (800) 228-3887 - FAX (310) 381-0722
 AZTEC

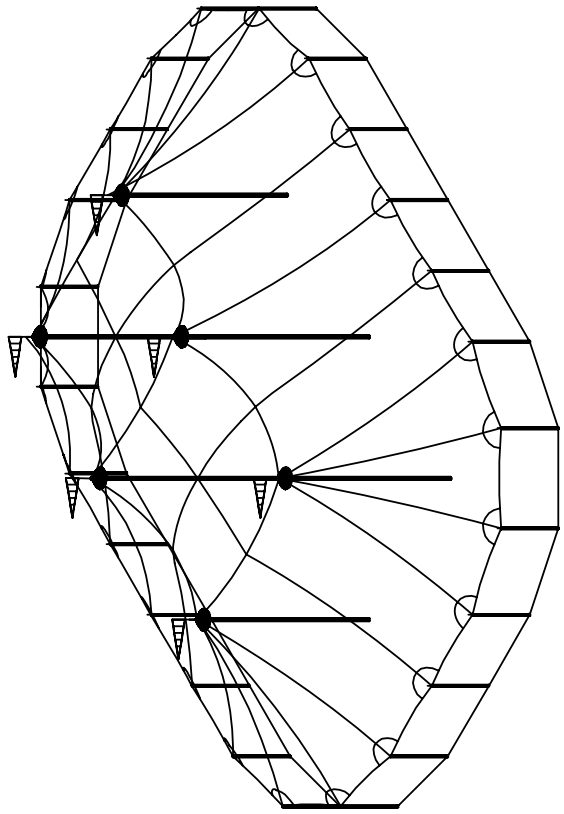
SCALE: 3/64"=1"



SIDE VIEW

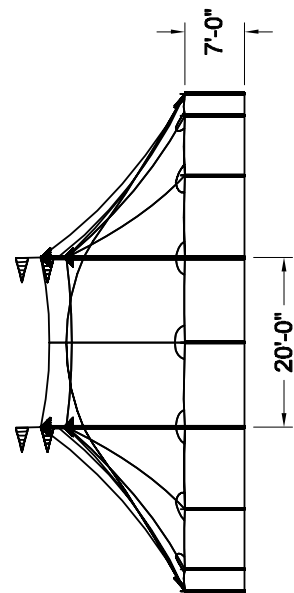


PLAN VIEW




ISOMETRIC VIEW

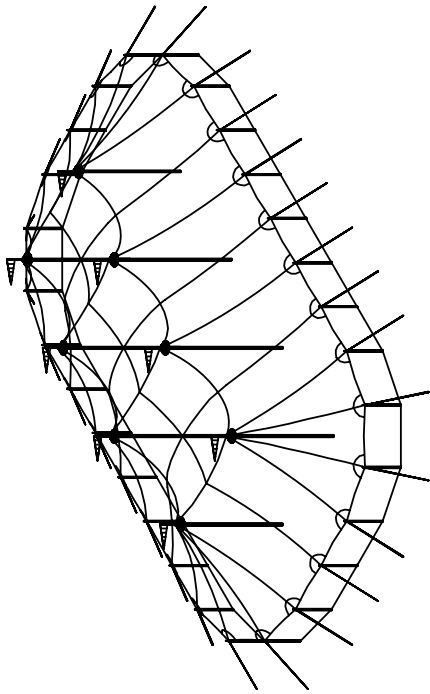
4238 SQUARE FT.



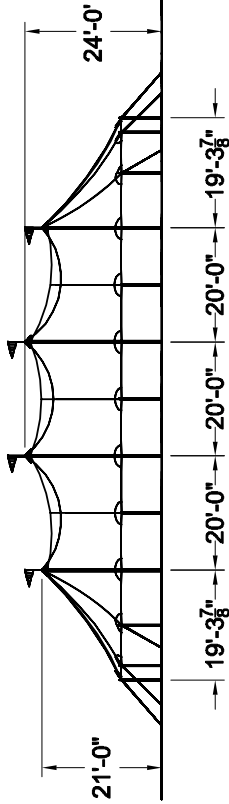
END VIEW

K:\cad files\Pole Tent\Tidewater Sail Tent\58x78x78 Tide Water Sail tent high pk Rev B.dwg, 3/15/2011 1:49:33 PM, pdfFactory.pc3

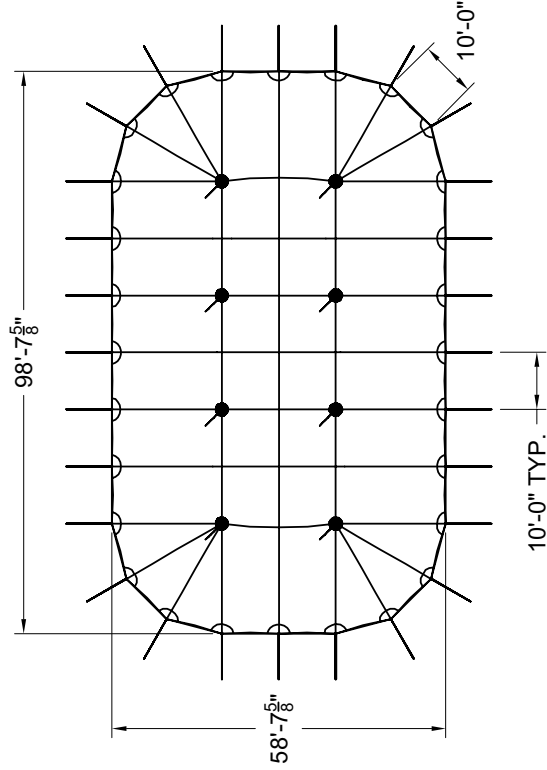
PART AZ - 58'X98'-TIDEWATER		DATE 1/10/11		CHECKED GUILLELMO		REVISION 1	
REV 0		DESCRIPTION TIDEWATER SAIL CLOTH TENT		ENGINEER N/A		ALL DATA AND INFORMATION CONTAINED IN OR DISCLOSED BY THIS DOCUMENT IS CONFIDENTIAL AND PROPRIETARY INFORMATION OF AZTEC TENTS AND ALL RIGHTS ARE EXPRESSLY RESERVED. BY ACCEPTING THIS AGREEMENT THE RECIPIENT AGREES THAT THIS MATERIAL AND INFORMATION CONTAINED HEREIN IS HELD IN CONFIDENCE AND IN TRUST AND WILL NOT BE COPIED, REPRODUCED OR IN PART, NOR ITS CONTENTS REVEALED IN ANY MANNER TO OTHERS, EXCEPT TO MEET THE SPECIFIC PURPOSE FOR WHICH IT WAS DELIVERED.	
SIZE 58'W X 98' L X 7' LEGS		CODE CRUZ		DRAWN CRUZ		2866 COLUMBIA ST. TORRANCE, CA 90603 (800) 228-3687 - FAX (310) 381-0722	
STANDARD							



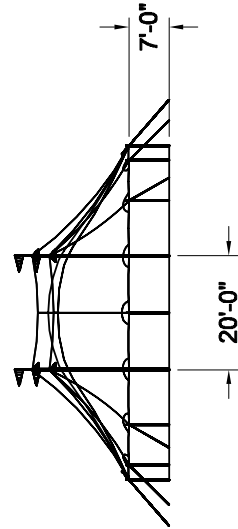
ISOMETRIC VIEW
5411 SQUARE FT.



SIDE VIEW

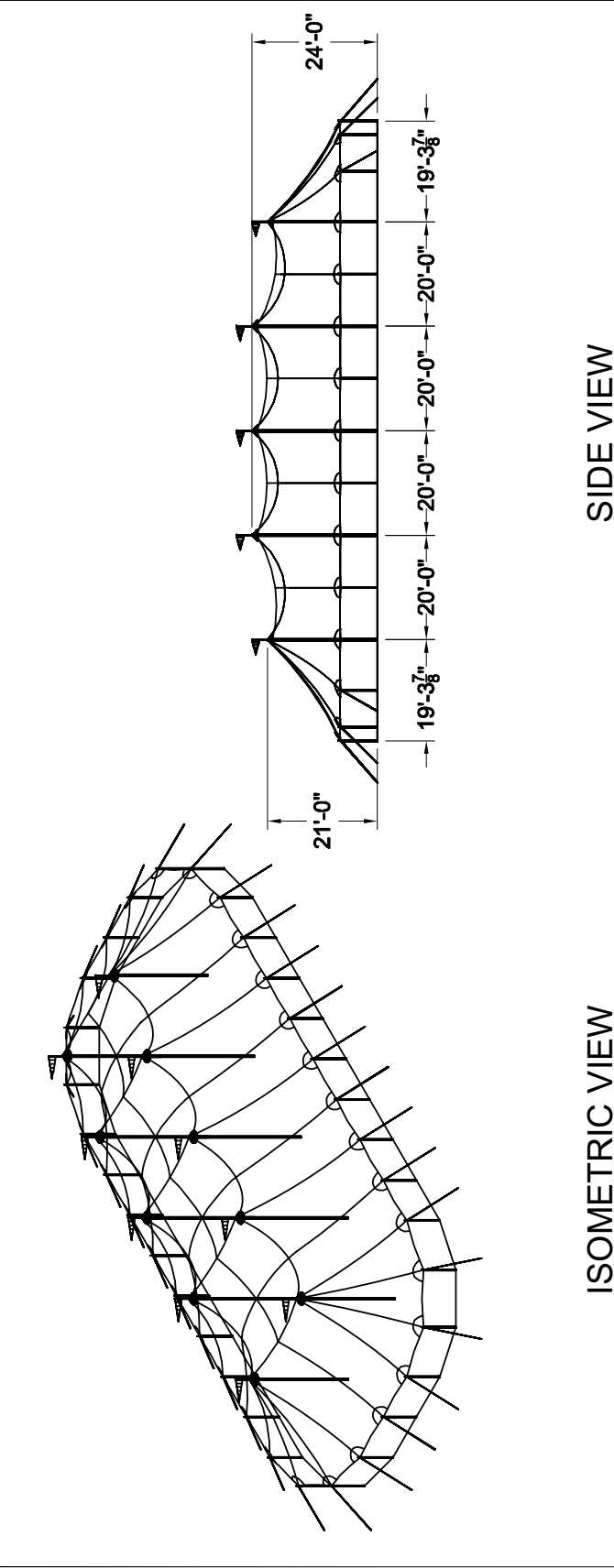


PLAN VIEW



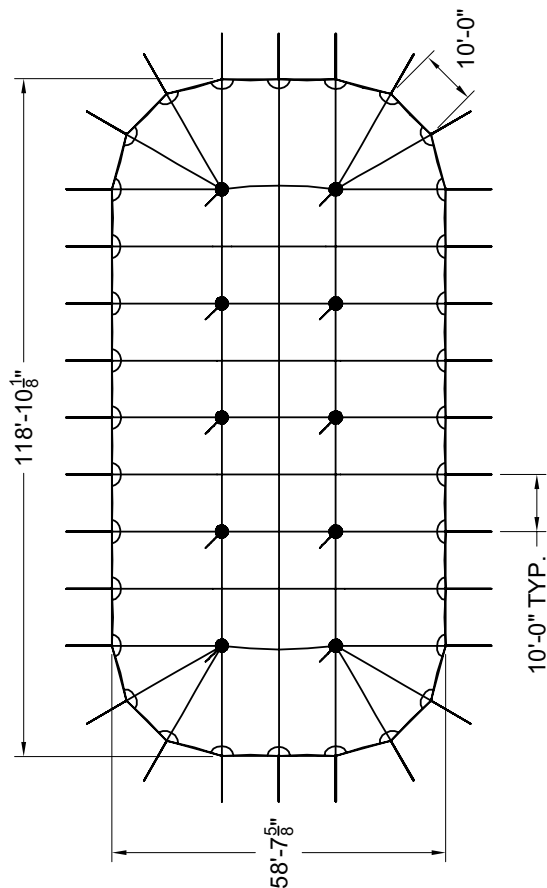
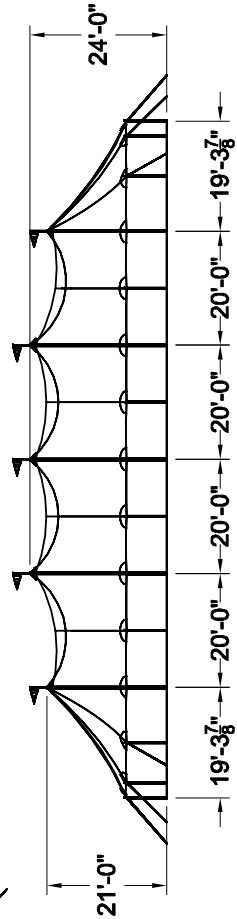
FRONT VIEW

PART		AZ - 58 X 118 - TIDEWATER		DATE		2/15/11		CHECKED		N/A		REVISION		PAG 1	
DRAWN		CRUZ		ENGINEER		N/A		DRAWN		N/A		REVISION		PAG 1	
REV		0		DRAWING NUMBER		58'W X 118' L X 7' LEGS		PART DESCRIPTION		TIDEWATER SAIL CLOTH TENT		STANDARD		PART	

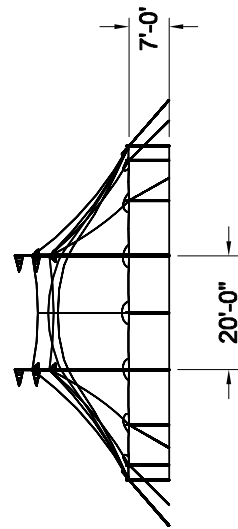


ISOMETRIC VIEW
6583 SQUARE FT.

SIDE VIEW



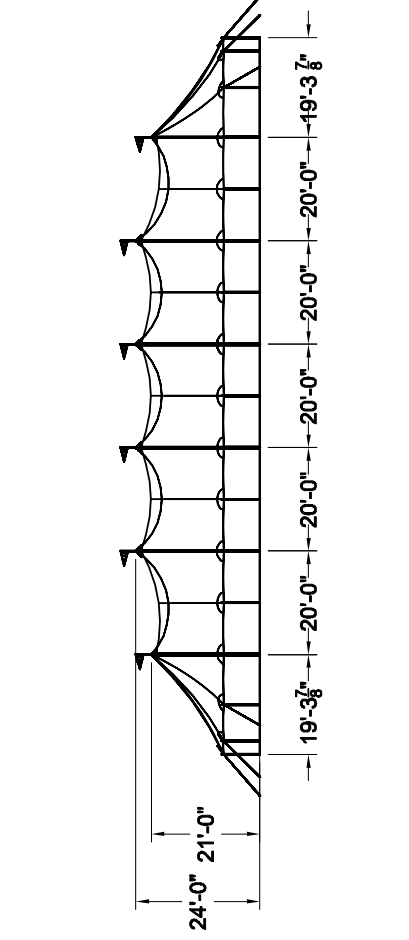
PLAN VIEW



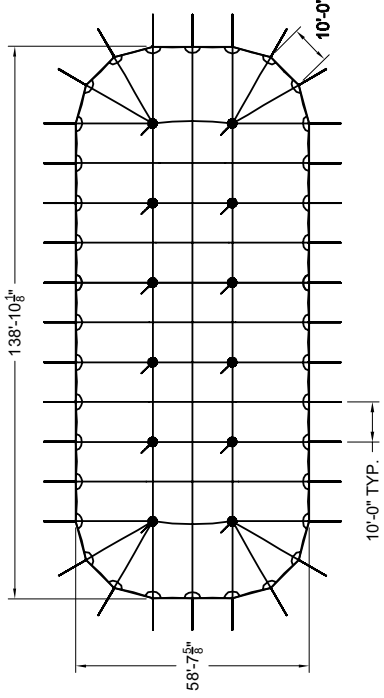
FRONT VIEW

ALL DATA AND INFORMATION CONTAINED IN OR DISCLOSED BY THIS DOCUMENT IS CONFIDENTIAL AND PROPRIETARY INFORMATION OF AZTEC TENTS AND ALL RIGHTS THEREIN ARE EXPRESSLY RESERVED. BY ACCEPTING THIS MATERIAL THE RECIPIENT AGREES THAT THIS MATERIAL AND INFORMATION CONTAINED HEREIN IS HELD IN CONFIDENCE AND IN TRUST AND WILL NOT BE COPIED, REPRODUCED OR IN PART, NOR ITS CONTENTS REVEALED IN ANY MANNER TO OTHERS, EXCEPT TO MEET THE SPECIFIC PURPOSE FOR WHICH IT WAS DELIVERED.

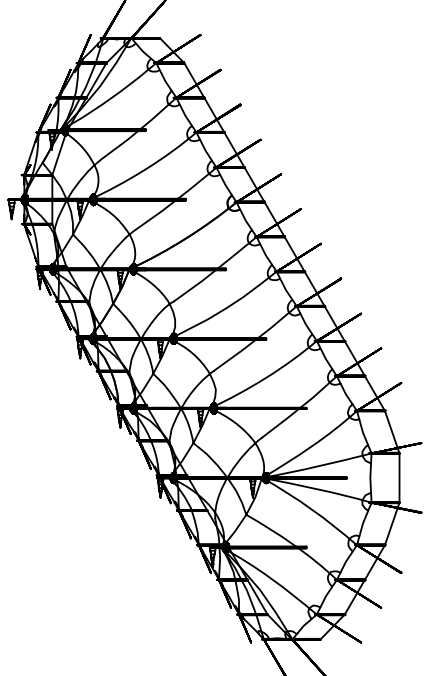
PART AZ - 58'X138'-TIDEWATER		DATE 3/24/11		CHECKED N/A		REVISION 1	
DRAWING NUMBER 58'W X 138' L X 7' LEGS		ENGINEER N/A		ENGINEER N/A		REVISION 0	
DESCRIPTION TIDEWATER SAIL CLOTH TENT		DATE 3/24/11		ENGINEER N/A		REVISION 0	
SIZE 58'W X 138' L X 7' LEGS		DATE 3/24/11		ENGINEER N/A		REVISION 0	



SIDE VIEW

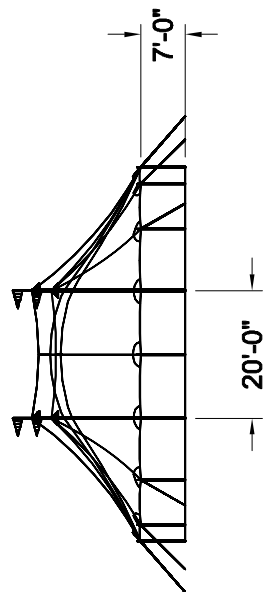


PLAN VIEW



ISOMETRIC VIEW

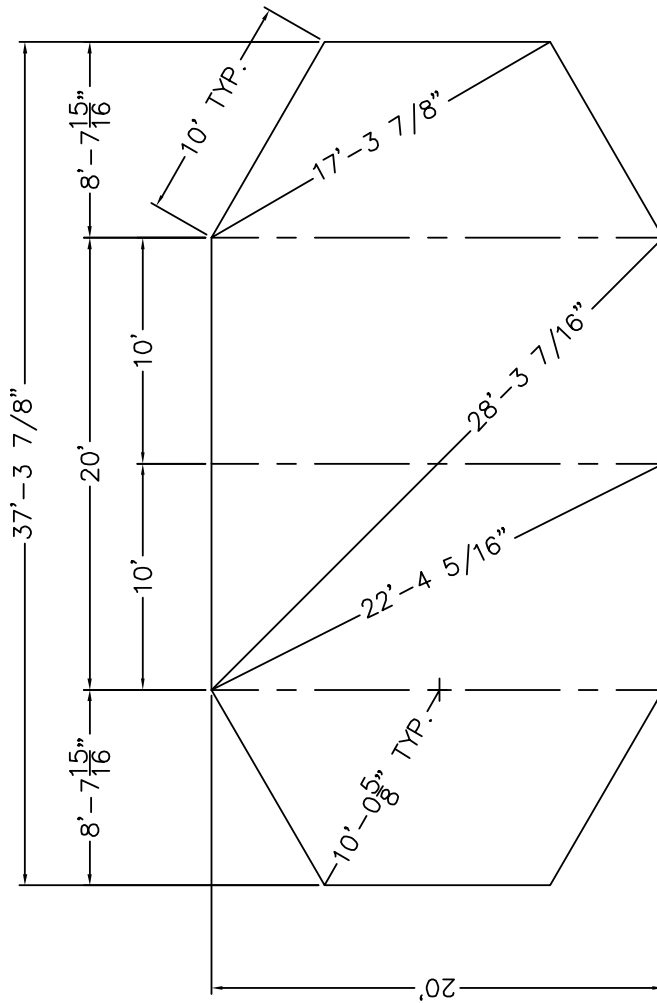
7756 SQUARE FT.




FRONT VIEW

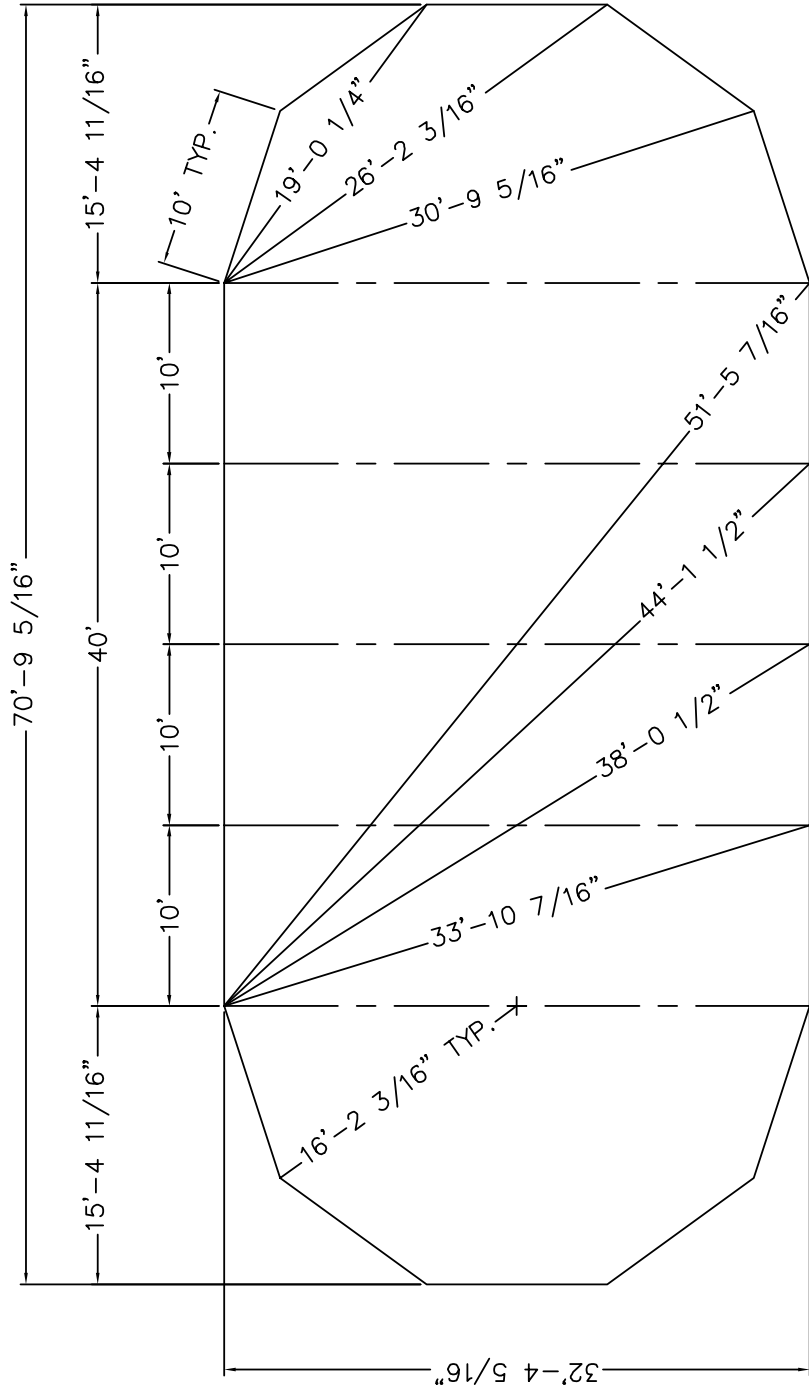
ALL DATA AND INFORMATION CONTAINED IN OR DISCLOSED BY THIS DOCUMENT IS CONFIDENTIAL AND PROPRIETARY INFORMATION OF AZTEC TENTS AND ALL RIGHTS THEREIN ARE EXPRESSLY RESERVED. BY ACCEPTING THIS MATERIAL, THE RECIPIENT AGREES THAT THIS MATERIAL AND INFORMATION CONTAINED THEREIN IS HELD IN CONFIDENCE AND IN TRUST AND WILL NOT BE COPIED, REPRODUCED WHOLE OR IN PART, NOR ITS CONTENTS REVEALED IN ANY MANNER TO OTHERS, EXCEPT TO MEET THE SPECIFIC PURPOSE FOR WHICH IT WAS DELIVERED.


TIDEWATER SAIL TENT\20x\20x SQUARING 020609 1245		CHECKED	-	DATE	02/05/09
ENGINEER		CM	DRAWN	KT	
2685 COLUMBIA ST. TORRANCE, CA 90503 (800) 228-3687 - FAX (310) 381-0722		AZTEC			
ALL DATA AND INFORMATION CONTAINED IN OR DISCLOSED BY THIS DOCUMENT IS CONFIDENTIAL AND PROPRIETARY INFORMATION OF AZTEC TENTS AND ALL RIGHTS THEREIN ARE EXPRESSLY RESERVED. BY ACCEPTING THIS MATERIAL THE RECIPIENT AGREES THAT THIS MATERIAL AND INFORMATION CONTAINED HEREIN IS HELD IN CONFIDENCE AND TRUST AND WILL NOT BE COPIED, REPRODUCED WHOLE OR IN PART, NOR ITS CONTENTS REVEALED IN ANY MANNER TO OTHERS, EXCEPT TO MEET THE SPECIFIC PURPOSE FOR WHICH IT WAS DELIVERED.		STANDARD			
REV	DRAWING NUMBER	SIZE	CODE	PART DESCRIPTION	
1	AZ-20x SQUARING-TIDEWATER			TIDEWATER SAIL CLOTH TENT / STANDARD 20' W x 40' L TIDEWATER SAIL CLOTH TENT	

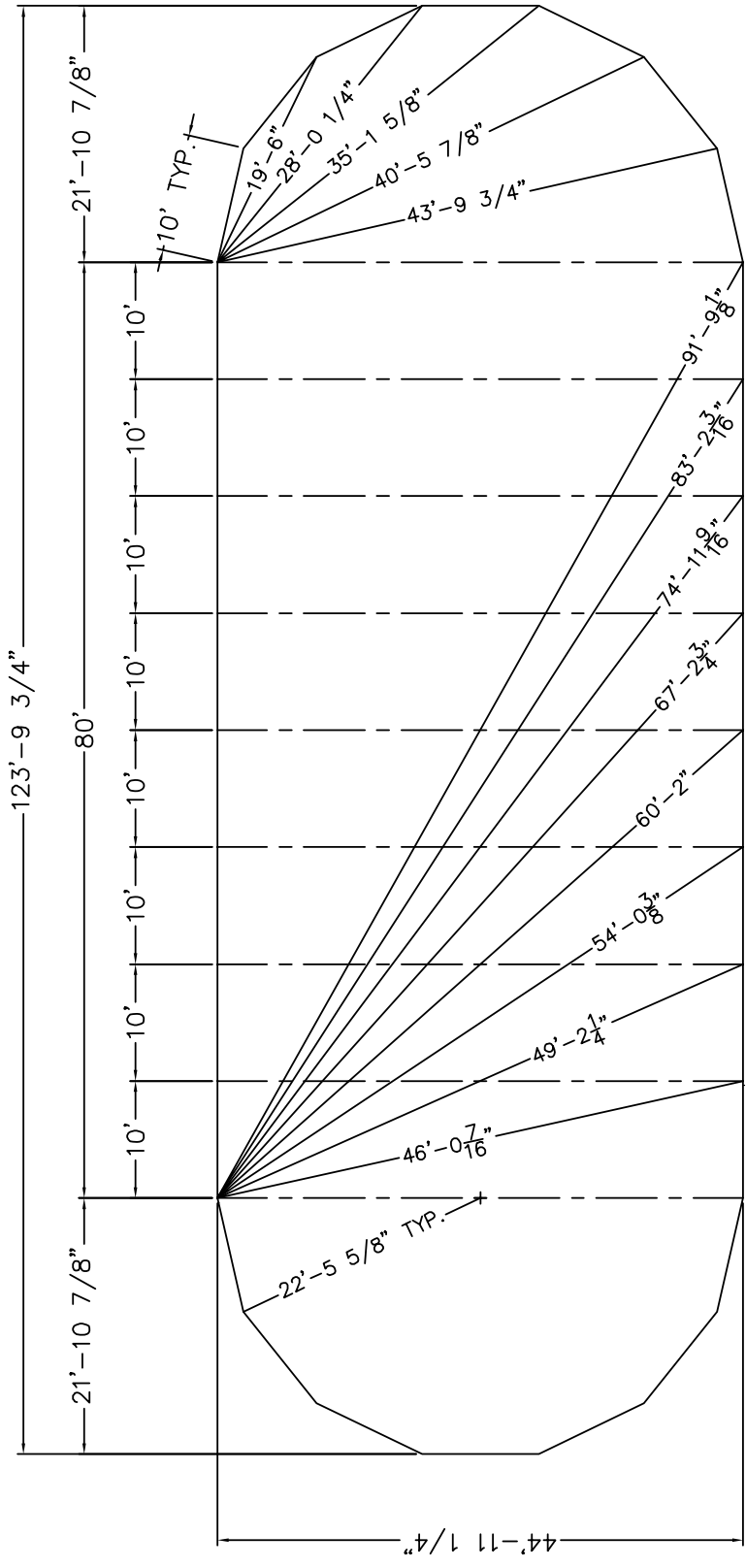



K:\cad files\Pole Tent\Tidewater Sail Tent\20x\20x Squaring.dwg, 2/6/2009 12:48:08 PM, pdfFactory.pcc3

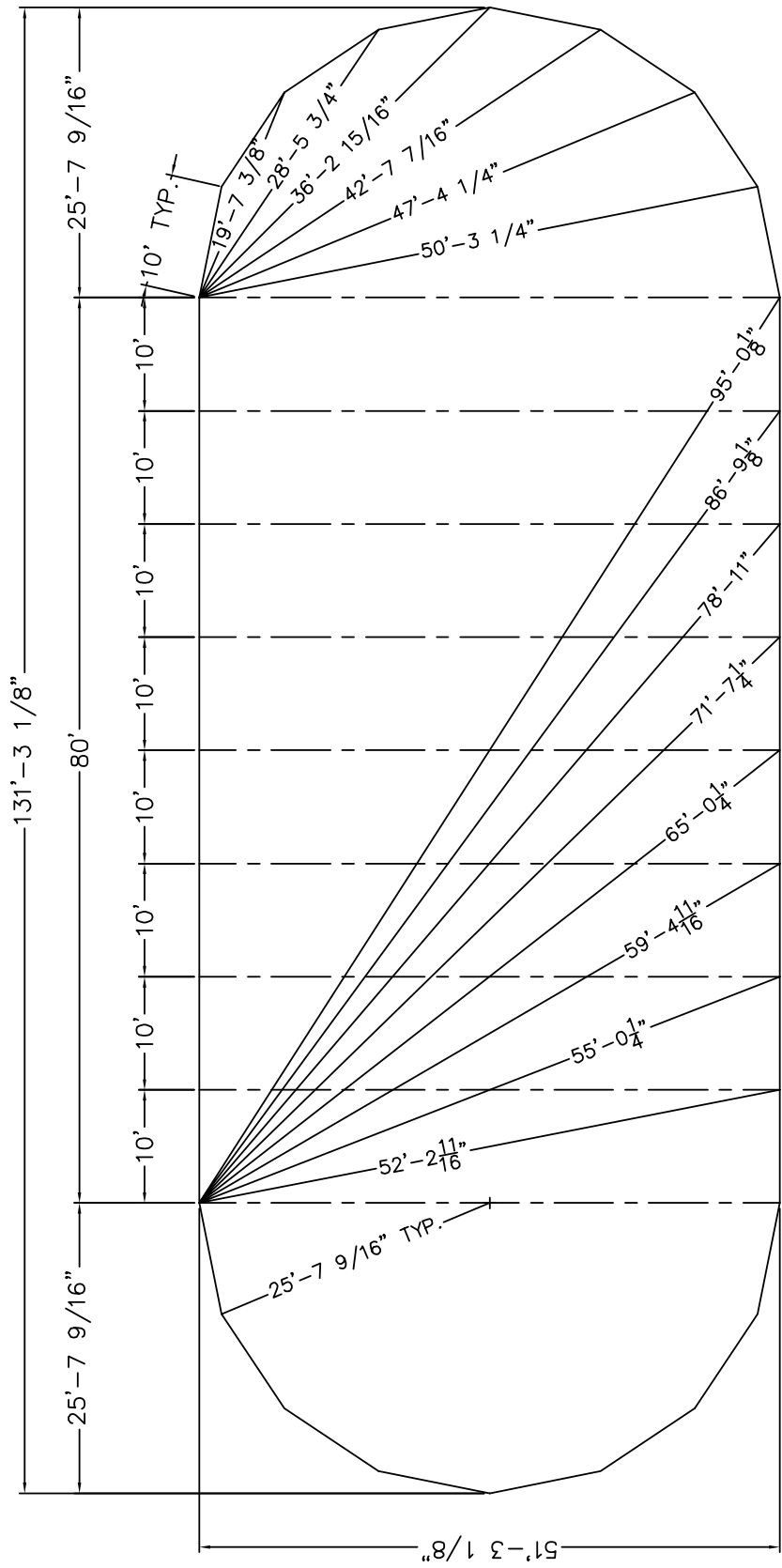
TIDEWATER SAIL TENT\32x\32x SQUARING 052809 1110		ENGINEER	CM	DATE	02/05/09
ALL DATA AND INFORMATION CONTAINED IN OR DISCLOSED BY THIS DOCUMENT IS CONFIDENTIAL AND PROPRIETARY INFORMATION OF AZTEC TENTS AND ALL RIGHTS THEREIN ARE EXPRESSLY RESERVED BY ACCEPTING THIS MATERIAL. THE RECIPIENT AGREES THAT THIS MATERIAL AND INFORMATION CONTAINED HEREIN IS HELD IN CONFIDENCE AND IN TRUST, AND WILL NOT BE COPIED, REPRODUCED WHOLE OR IN PART, NOR ITS CONTENTS REVEALED IN ANY MANNER TO OTHERS, EXCEPT TO MEET THE SPECIFIC PURPOSE FOR WHICH IT WAS DELIVERED.		 2665 COLUMBIA ST. TORRANCE, CA. 90503 (800) 228-3687 - FAX (310) 381-0722		PART DESCRIPTION TIDEWATER SAIL CLOTH TENT / STANDARD	
REV	3	DRAWING NUMBER	AZ-32x SQUARING-TIDEWATER	SIZE	



AZ-44x SQUARING- TIDEWATER		DATE 02/05/09	CHECKED -	TIDEWATER SAIL TENT\44x\44x SQUARING 050509 1045	
REV	DRAWING NUMBER	ENGINEER CM	DRAWN KT	ALL DATA AND INFORMATION CONTAINED IN OR DISCLOSED BY THIS DOCUMENT IS CONFIDENTIAL AND PROPRIETARY INFORMATION OF AZTEC TENTS AND ALL RIGHTS THEREIN ARE EXPRESSLY RESERVED. BY ACCEPTING THIS MATERIAL THE RECIPIENT AGREES THAT THIS MATERIAL AND INFORMATION CONTAINED THEREIN IS HELD IN CONFIDENCE AND IN TRUST. AND WILL NOT BE COPIED, REPRODUCED WHOLE OR IN PART, EXCEPT TO MEET THE SPECIFIC PURPOSE FOR WHICH IT WAS DELIVERED.	
PART DESCRIPTION 44' W x 123' L TIDEWATER SAIL CLOTH TENT		2665 COLUMBIA ST. TORRANCE, CA. 90503 (800) 228-3687 - FAX (310) 381-0722			
SIZE					
DRAWING NUMBER		STANDARD			



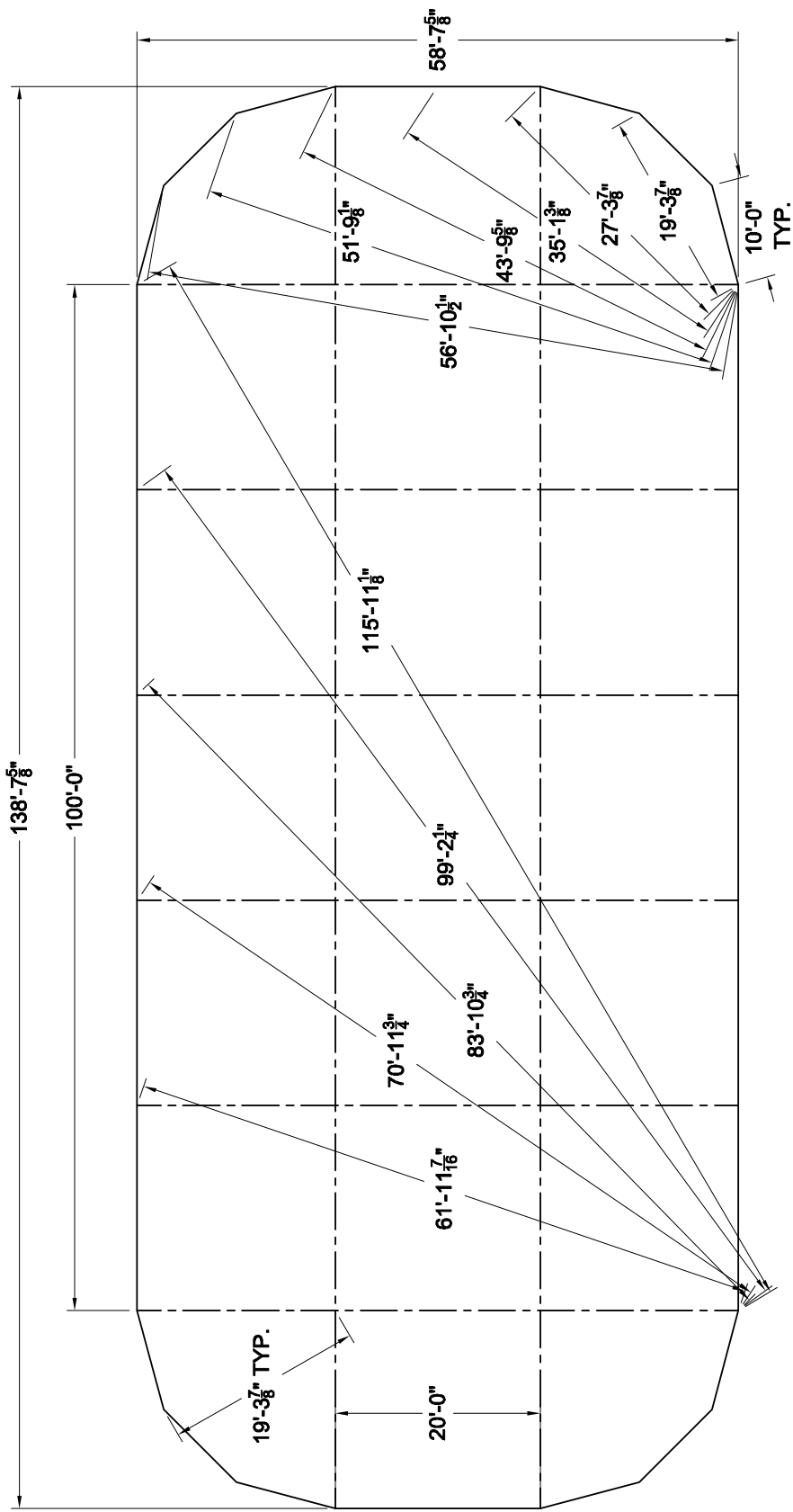
AZ-55x SQUARING - TIDEWATER		DATE 01/04/10	CHECKED -	945	TIDEWATER SAIL TENT\51x\51x SQUARING 010510
REV	DRAWING NUMBER	ENGINEER	DATE	PROJECT	
0	AZ-55x SQUARING - TIDEWATER	OM	01/04/10	KT	
PART DESCRIPTION		ENGINEER			
51' W x 131' L TIDEWATER SAIL CLOTH TENT		2665 COLUMBIA ST. TORRANCE, CA. 90503			
TIDEWATER SAIL CLOTH TENT / STANDARD		(909) 228-3687 - FAX (310) 381-0722			
STANDARD					
<p>ALL DATA AND INFORMATION CONTAINED IN OR DISCLOSED BY THIS DOCUMENT IS CONFIDENTIAL AND PROPRIETARY. THE RECIPIENT AGREES THAT THIS MATERIAL AND INFORMATION ARE EXPRESSLY RESERVED. BY ACCEPTING THIS MATERIAL AND INFORMATION OF AZTEC TENTS AND ALL RIGHTS THEREIN CONTAINED HEREIN IS HELD IN CONFIDENCE AND IN TRUST AND WILL NOT BE COPIED, REPRODUCED WHOLE OR IN PART, NOR ITS CONTENTS REVEALED IN ANY MANNER TO OTHERS, EXCEPT TO MEET THE SPECIFIC PURPOSE FOR WHICH IT WAS DELIVERED.</p>					



K:\cad files\Pole Tent\Tidewater Sail Tent\51x131x Squaring.dwg, 1/5/2010 9:47:29 AM, pdfFactory.pc3

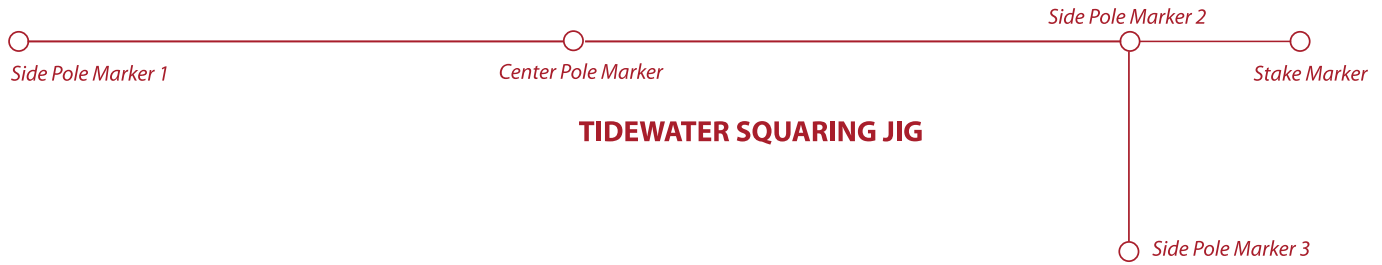
PAPG : 3		REVERSE BY :		CHECKED N/A	DATE 4/5/11	ENGINEER N/A	DRAWN CRUZ
AZ - 58 X 138 - TIDEWATER		ORDER NUMBER	CODE	SIZE	DRAWING NUMBER	REV 0	
TIDEWATER SAIL CLOTH TENT		AZTEC 2865 COLUMBIA ST. TORRANCE, CA 90503 (800) 228-3687 - FAX (310) 381-0722					
STANDARD		58'W X 138' L X 7' LEGS					

ALL DATA AND INFORMATION CONTAINED IN OR DISCLOSED BY THIS DOCUMENT IS CONFIDENTIAL AND PROPRIETARY INFORMATION OF AZTEC TENTS AND ALL RIGHTS THEREIN ARE EXPRESSLY RESERVED. BY ACCEPTING THIS MATERIAL THE RECIPIENT AGREES THAT THIS MATERIAL AND INFORMATION CONTAINED HEREIN IS HELD IN CONFIDENCE AND IN TRUST AND WILL NOT BE COPIED, REPRODUCED WHOLE OR IN PART, NOR ITS CONTENTS REVEALED IN ANY MANNER TO OTHERS, EXCEPT TO MEET THE SPECIFIC PURPOSE FOR WHICH IT WAS DELIVERED.

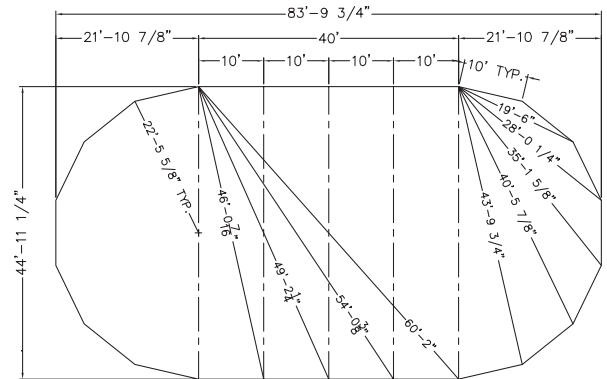


K:\cad files\Pole Tent\Tidewater - Sail Tent\58x138 Tide Water Sail tent high.pk.dwg, 4/5/2011 3:25:27 PM, pdfactory.pc3

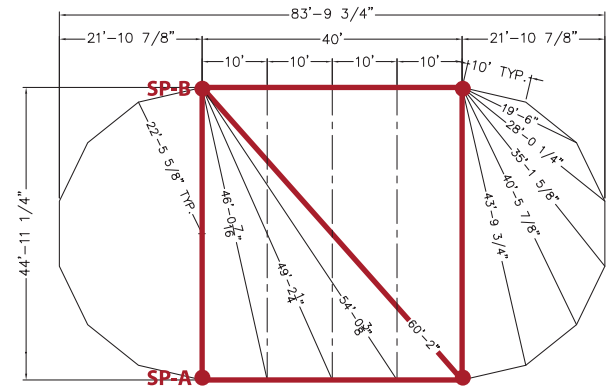
Tidewater Squaring: Squaring Jig Version



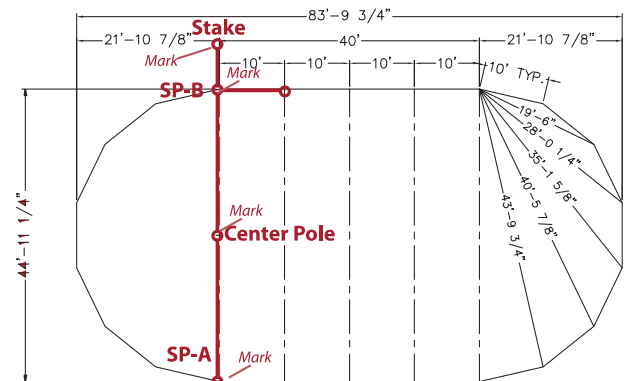
Step 1:
The Squaring Diagram (Example 44'x83')



Step 2:
With 2 tape measures, establish the interior box, square with diagonal measurement establishing the four corner side pole positions. For this example we'll designate the two corner side poles on the left side of the drawing as SP-A and SP-B

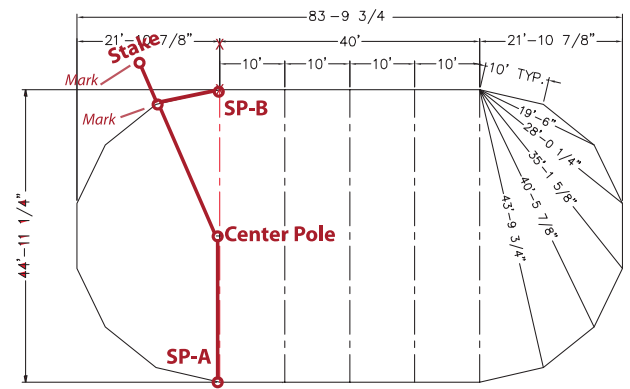


Step 3:
Layout your Tidewater Squaring Jig so that the Side Pole Marker 1 ring is placed on SP-A and the Side Pole Marker 2 ring is on SP-B. Extend the stake line in line with with the SP-A and SP-B. Make a mark at SP-A, the Center Pole, SP-B and the Stake.



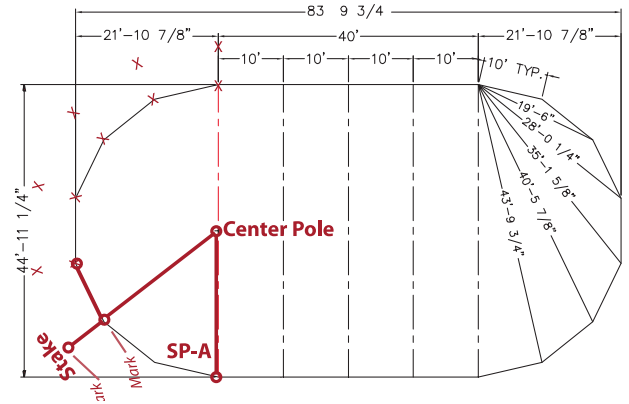
Step 4:

Hold the Center Pole ring in place and move the squaring jig so that the Side Pole Marker 3 ring is positioned over the mark at SP-B. With the Center Pole Ring and Side Pole Marker 3 ring firmly secured, pull on the Side Pole Marker 2 ring to triangulate the next side pole position. Pull the stake line out so that it is inline with the Center Pole and Side Pole Marker 2 rings and mark the stake and side pole positions.



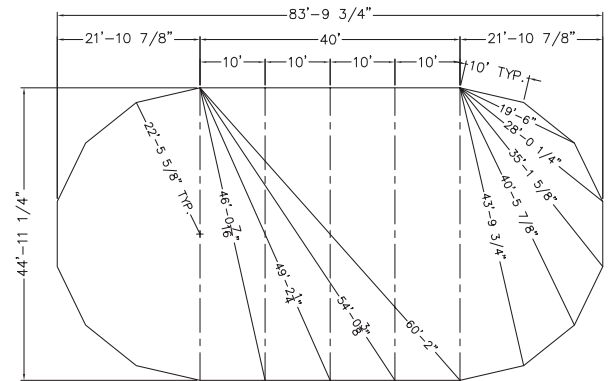
Step 5:

Continue around the end marking each side pole and stake location. Repeat on the opposite end of the tent.

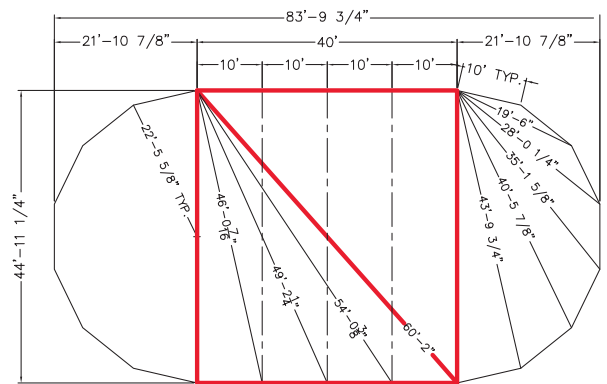


Tidewater Squaring: Tape Measure Version

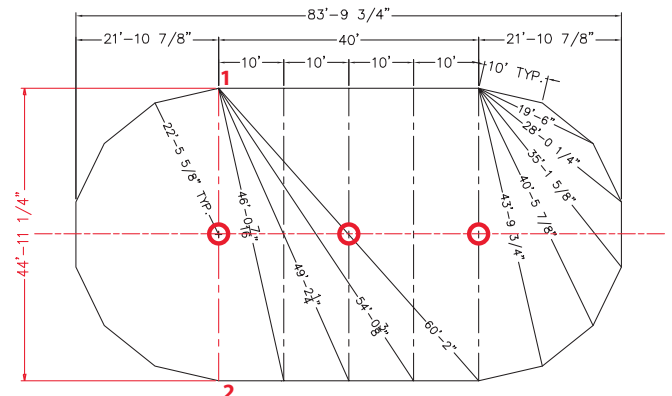
Step 1:
The Squaring Diagram (Example 44'x83')



Step 2:
Establish the interior box, square with diagonal measurement.



Step 3:
Mark the center pole locations.
The center poles are located 1/2 the distance of the width of the tent. (In this example the width is 44' 11 1/4", the center pole is located at 22' 5 5/8" between side pole positions 1 and 2)



Parts Listing

Item	Item No.	Weight lbs
20x17 Tidewater Sail Tent-Wht	Z33520X01701	29
20x27 Tidewater Sail Tent-Wht	Z33520X02701	45
20x37 Tidewater Sail Tent-Wht	Z33520X03701	62
32x30 Tidewater Sail Tent- Wht	Z33532X03001	80
32x40 Tidewater Sail Tent-Wht	Z33532X04001	107
32x50 Tidewater Sail Tent-Wht	Z33532X05001	134
32x60 Tidewater Sail Tent-Wht	Z33532X06001	160
44x43 Tidewater Sail Tent-Wht	Z33544X04301	158
44x63 Tidewater Sail Tent-Wht	Z33544X06301	231
44x83 Tidewater Sail Tent-Wht	Z33544X08301	305
44x103 Tidewater Sail Tent-Wht	Z33544X10301	378
44x103 Tidewater Sail Tent-Wht	Z33544X10301	378
44x123 Tidewater Sail Tent-Wht	Z33544X12301	451
51x51 Tidewater Sail Tent-Wht	Z33551X051	212
51x71 Tidewater Sail Tent-Wht	Z33551X07101	325
51x91 Tidewater Sail Tent-Wht	Z33551X09101	417
51x111 Tidewater Sail Tent-Wht	Z33551X11101	509
51x131 Tidewater Sail Tent-Wht	Z33551X13101	601
59x79 Tidewater Sail Tent-Wht	Z33559X07901	420
59x99 Tidewater Sail Tent-Wht	Z33559X09901	524
59x119 Tidewater Sail Tent-Wht	Z33559X11901	631
59x139 Tidewater Sail Tent-Wht	Z33559X13901	737
Tidewater Flag White (18"x54")	Z335ZFLAG	2
Tidewater Flag White (18"x120")	Z335ZFLAG10	2
Tidewater Flagpole 32x/44x/51x	Z335ZFLAGPOLELG	3
Tidewater Flagpole 32x/44x/51x	Z335ZFLAGPOLELG	3
Tidewater Flagpole 20x	Z335ZFLAGPOLESM	3
7x10 Tidewater Solid Wall-Wht	Z338071001	6
7x10 Tidewater Panorama(P1) Wa	Z338071002	7
7x10 Tidewater French(F1) Wall	Z338071003	7
7x10 Tidewater Clear Wall-Wht	Z338071004	9
8x10 Tidewater Solid Wall-Wht	Z338081001	7
8x10 Tidewater Panorama(P1) Wa	Z338081002	8
8x10 Tidewater French(F1) Wall	Z338081003	8
8x10 Tidewater Clear Wall-Wht	Z338081004	10
2.5" 2pc Tidewater CP x 15'0"	Z3892.5TX15	
2.5" 2pc Tidewater CP x 16'0"	Z3892.5TX16	
4.0" 2pc Tidewater CP x 18'0"	Z3894.000TX18	
4.0" 2pc Tidewater CP x 19'0"	Z3894.000TX19	
4.0" 3pc Tidewater CP x 20'0"	Z3894.000TX20	
4.0" 3pc Tidewater CP x 21'0"	Z3894.000TX21	
4.0" 3pc Tidewater CP x 22'0"	Z3894.000TX22	
4.0" 4pc Tidewater CP x 24'0"	Z3894.000TX24	
4.0" 4pc Tidewater CP x 25'0"	Z3894.000TX25	
4"SCH40 2pc Tidewater CPx23'0"	Z3894SCH40X23	
4"SCH40 2pc Tidewater CPx24'0"	Z3894SCH40X24	
4"SCH40 2pc Tidewater CPx26'0"	Z3894SCH40X26	
4"SCH40 2pc Tidewater CPx27'0"	Z3894SCH40X27	
2.5" 1pc Alum SP x 7'0"	Z3912.5BX07	7
2.5" 1pc Alum SP x 8'0"	Z3912.5BX08	8
3x3 Wood Sidepole x 7'	Z391WOOD3X37	26
3x3 Wood Sidepole x 8'	Z391WOOD3X38	28
Tidewater Gutter System Kit	Z39900391	
Tidewater Gutter- Fabric Only-	Z39900392	5
Tidewater Gutter Bracket Set O	Z39900393	4
Tidewater Squaring Jig- 20'x	Z3990039420	2
Tidewater Squaring Jig- 32'x	Z3990039432	2
Tidewater Squaring Jig- 44'x	Z3990039444	2
Tidewater Squaring Jig- 51'x	Z3990039451	2
Tidewater Cord Cover- 20x	Z3990039520	2
Tidewater Cord Cover- 32x END	Z3990039532E	4
Tidewater Cord Cover- 32x MID	Z3990039532M	4
Tidewater Cord Cover- 44x END	Z3990039544E	4
Tidewater Cord Cover- 44x MID	Z3990039544M	4
Tidewater Cord Cover- 51x END	Z3990039551E	4
Tidewater Cord Cover- 51x MID	Z3990039551M	4
24" Steel Stake w/Welded Hook	Z51100020	3
1" x 42" Double Headed Stake	Z51100070	10
1" Inline Ratchet	Z39900280	

If YOU can IMAGINE it... WE can BUILD it

www.aztectents.com

Aztec Tents

2665 Columbia Street
Torrance, CA 90503
Toll Free (800) 228-3687
Fax (310) 381-0722